



US00D587613S

(12) **United States Design Patent**  
**Williams et al.**

(10) **Patent No.:** **US D587,613 S**  
(45) **Date of Patent:** **\*\* Mar. 3, 2009**

(54) **OCCUPANCY SENSOR**

(75) Inventors: **Jonathan D. Williams**, Austin, TX (US);  
**Thomas J. Hartnagel**, Taylor, TX (US);  
**Kurt R. Bender**, Dripping Springs, TX  
(US); **Robert A. Martin**, Pflugerville,  
TX (US)

(73) Assignee: **Hubbell Incorporated**, Orange, CT  
(US)

(\*\*) Term: **14 Years**

(21) Appl. No.: **29/309,182**

(22) Filed: **Jul. 1, 2008**

(51) **LOC (9) Cl.** ..... **10-05**

(52) **U.S. Cl.** ..... **D10/104**

(58) **Field of Classification Search** ..... D10/104,  
D10/106; 307/112, 116, 117, 125, 139, 140,  
307/32; 340/825.3, 825.31, 825.32, 825.34,  
340/825.36, 506, 508, 517, 539, 541, 565,  
340/587, 521, 522, 567; 700/11, 14, 22,  
700/28, 275

See application file for complete search history.

(56) **References Cited**

**U.S. PATENT DOCUMENTS**

6,215,398 B1 \* 4/2001 Platner et al. .... 340/556

6,415,205 B1 \* 7/2002 Myron et al. .... 340/522  
D535,204 S \* 1/2007 Bender et al. .... D10/104  
7,411,489 B1 \* 8/2008 Elwell et al. .... 340/501  
2007/0229297 A1 \* 10/2007 Leonard et al. .... 340/541

\* cited by examiner

*Primary Examiner*—Antoine D Davis

(74) *Attorney, Agent, or Firm*—Garrett V. Davis; Mark S.  
Bicks; Alfred N. Goodman

(57) **CLAIM**

The ornamental design for an occupancy sensor, as shown  
and described.

**DESCRIPTION**

FIG. 1 is a front perspective view of the occupancy sensor in  
accordance with the present invention;

FIG. 2 is a top plan view thereof;

FIG. 3 is a front elevational view thereof;

FIG. 4 is a rear view thereof;

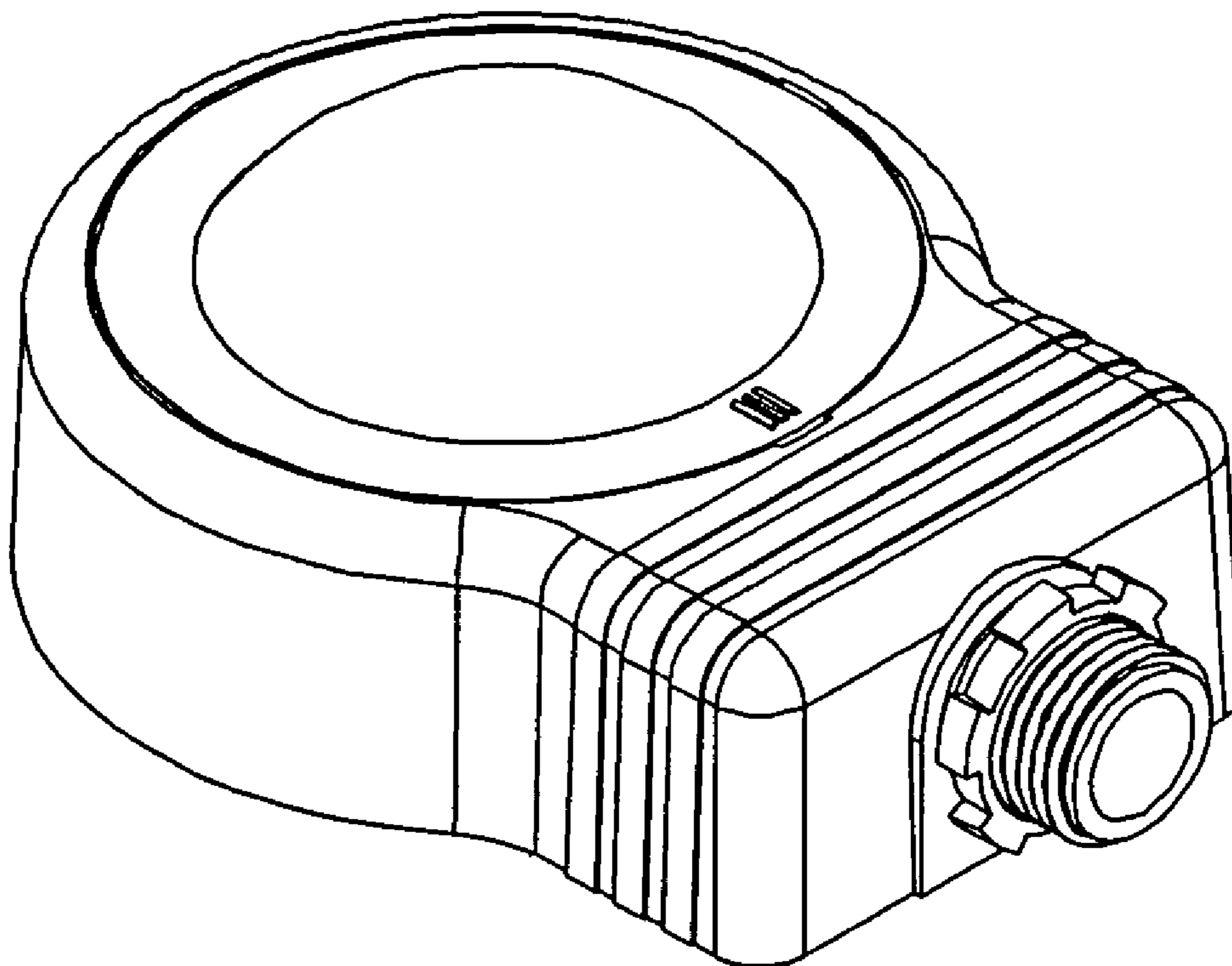
FIG. 5 is a right side view thereof;

FIG. 6 is a left side view thereof;

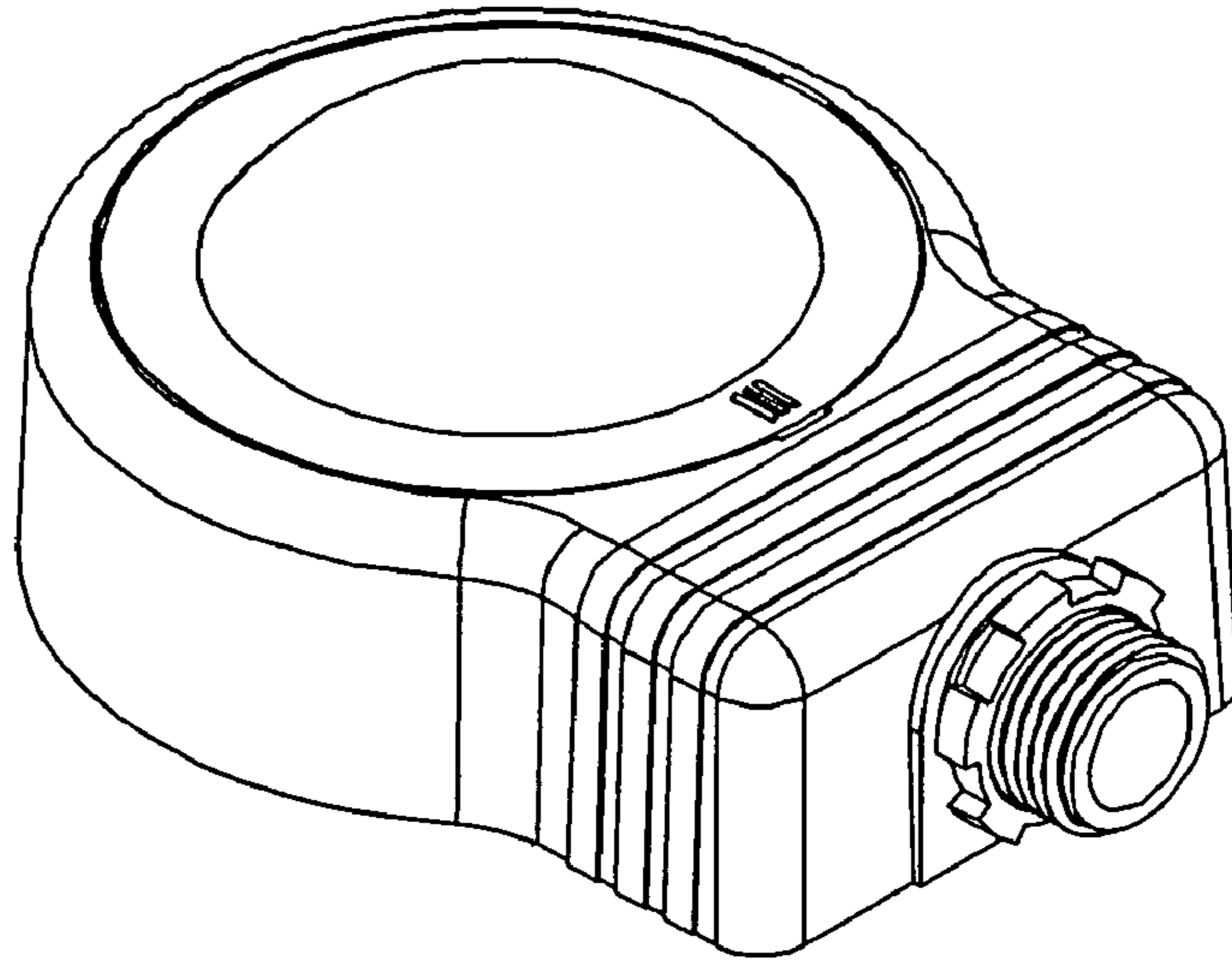
FIG. 7 is a bottom plan view thereof; and,

FIG. 8 is a bottom perspective view thereof.

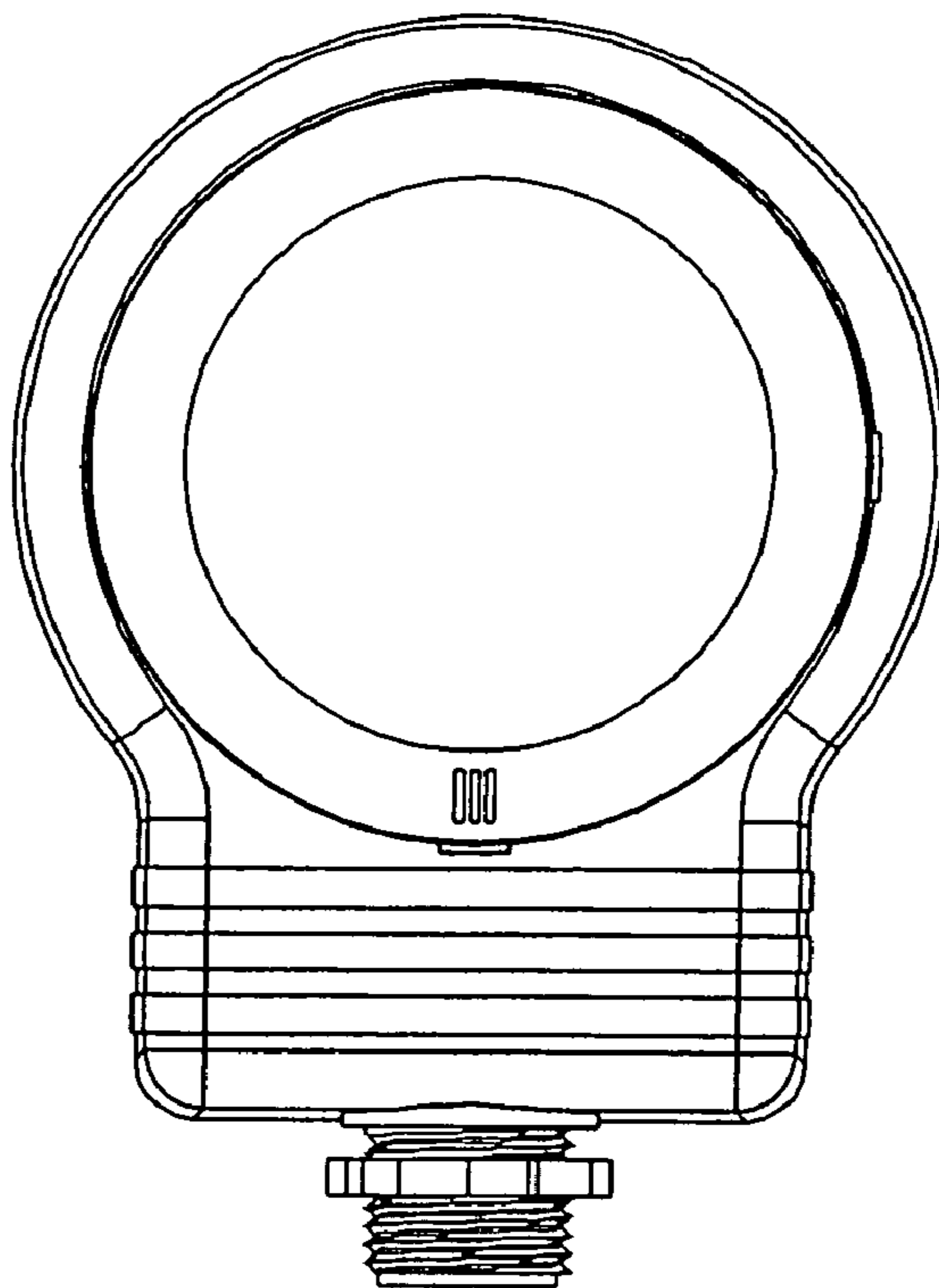
**1 Claim, 3 Drawing Sheets**



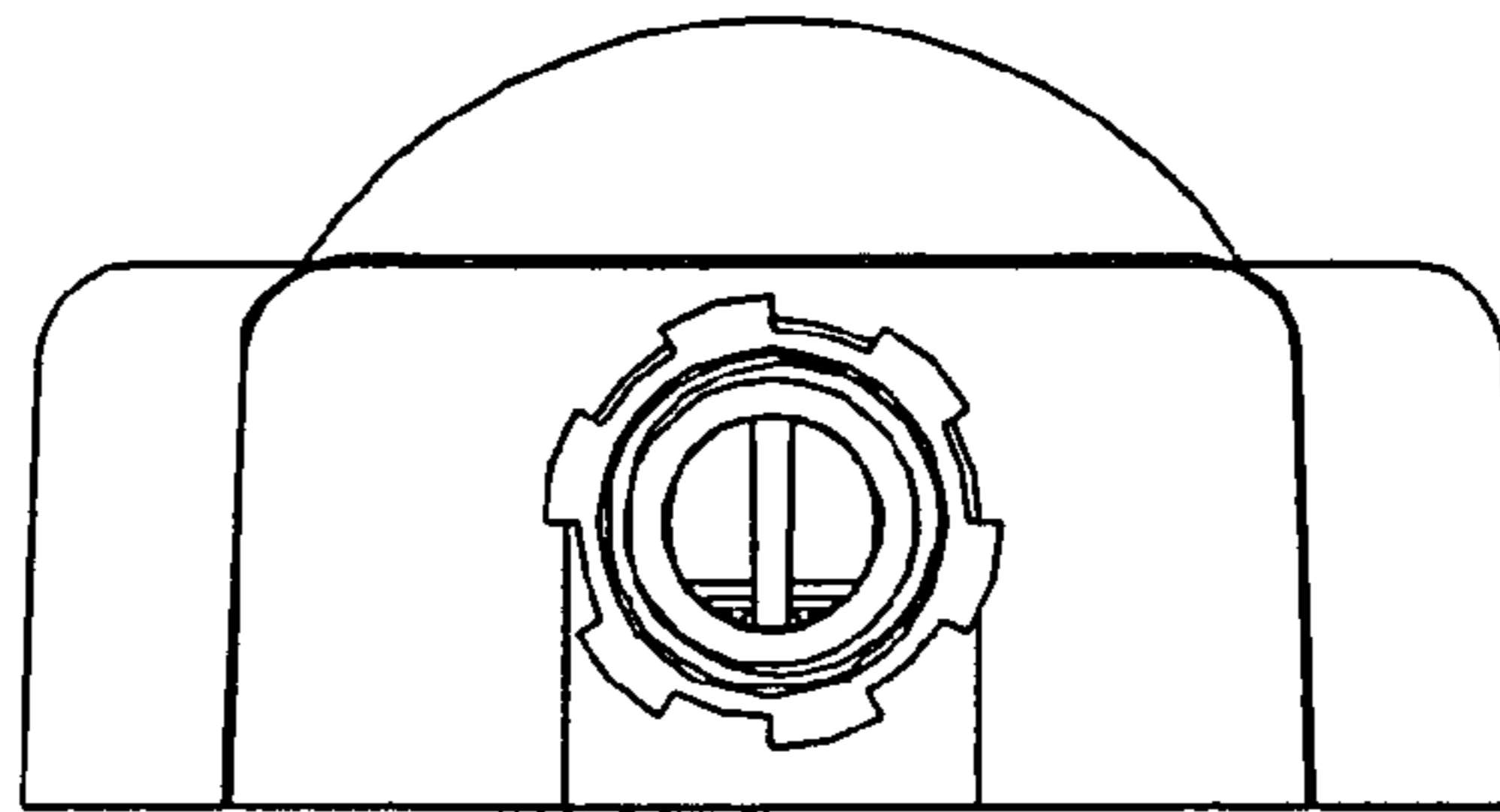
**FIG. 1**



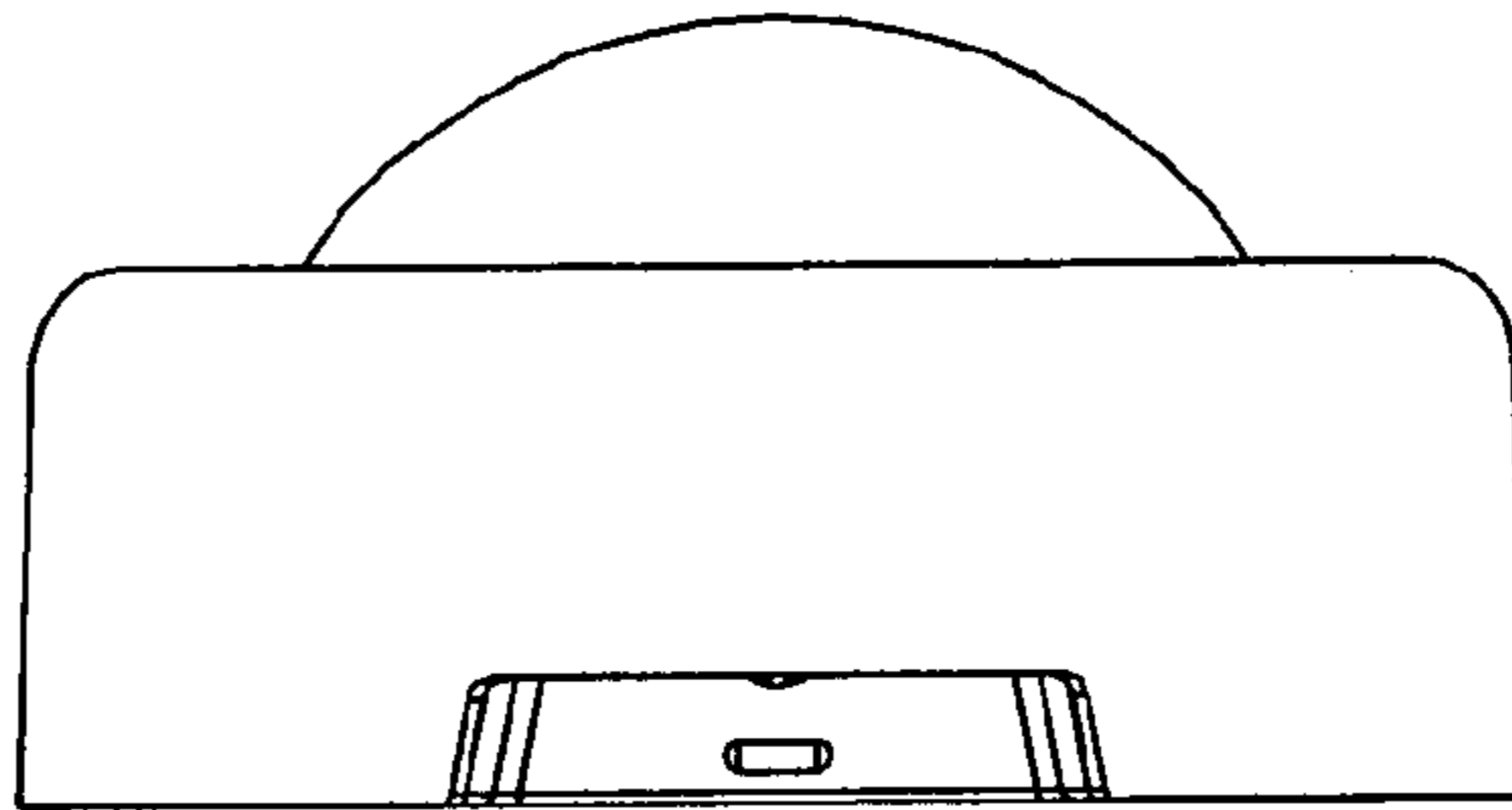
**FIG. 2**



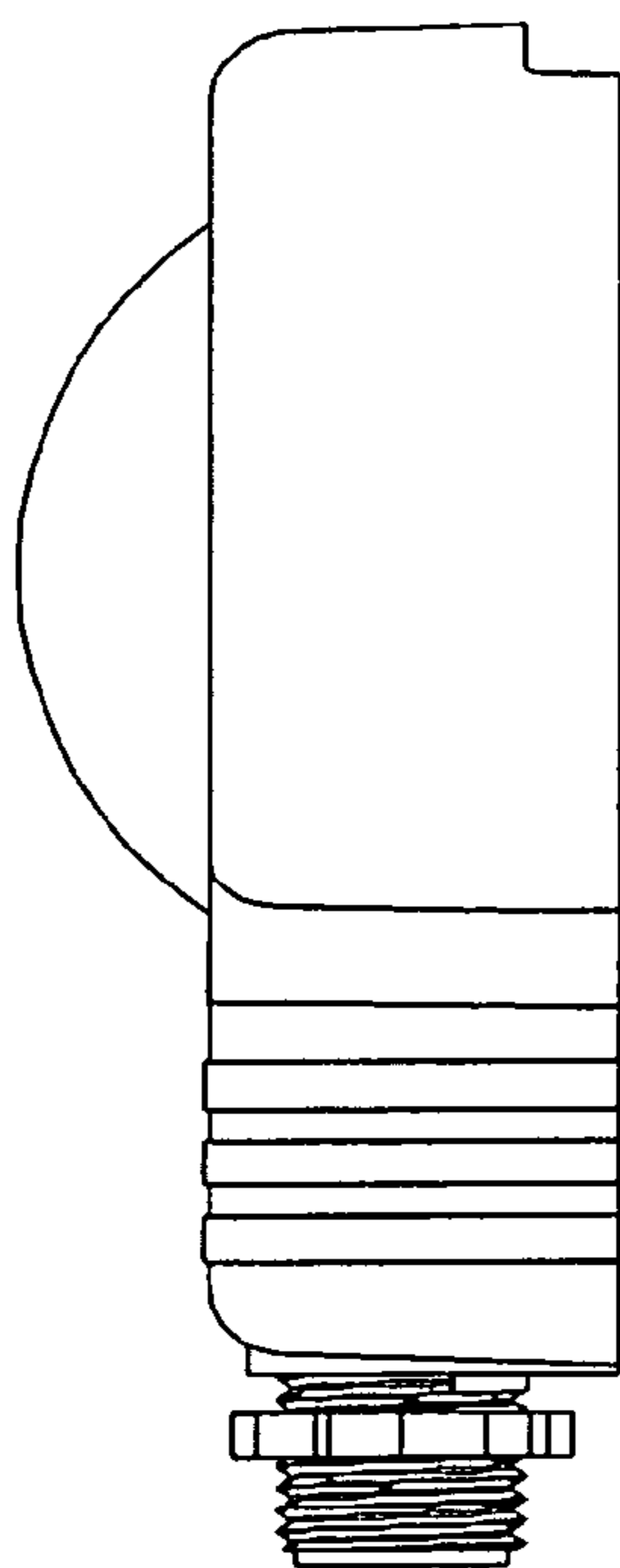
**FIG. 3**



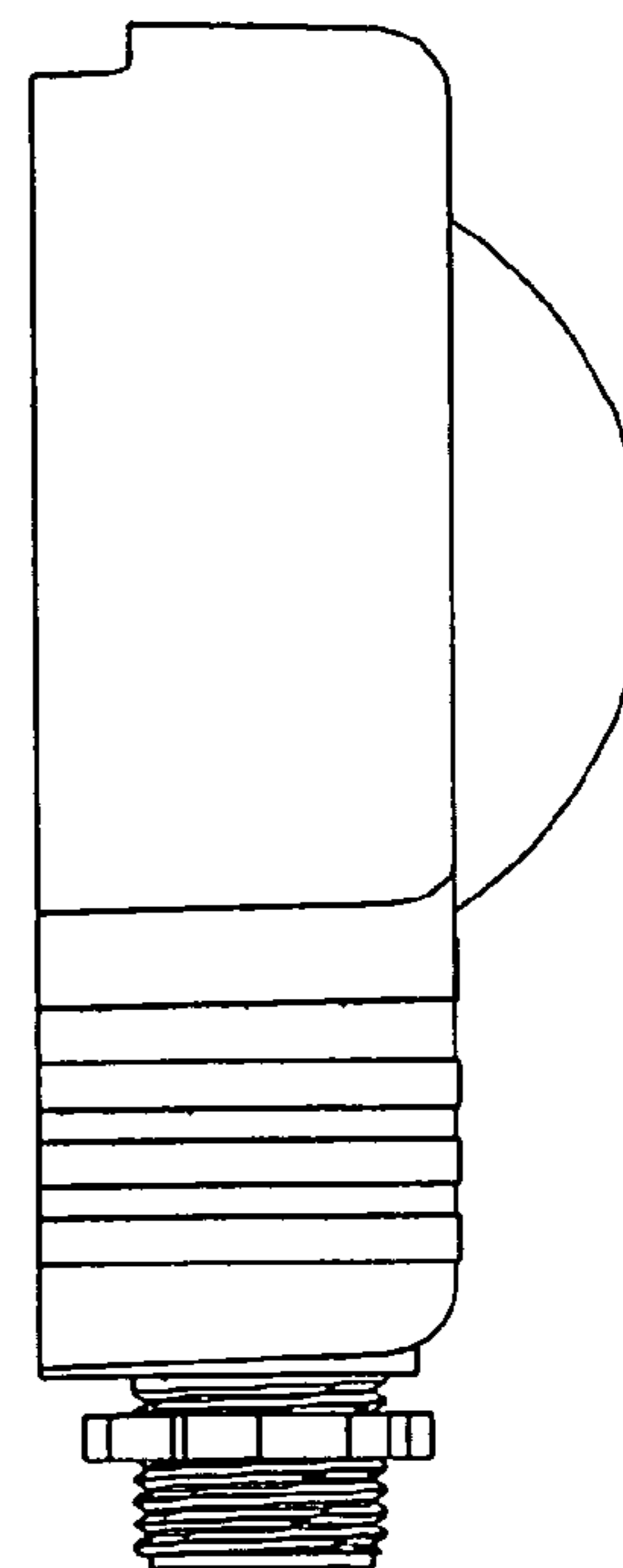
**FIG. 4**



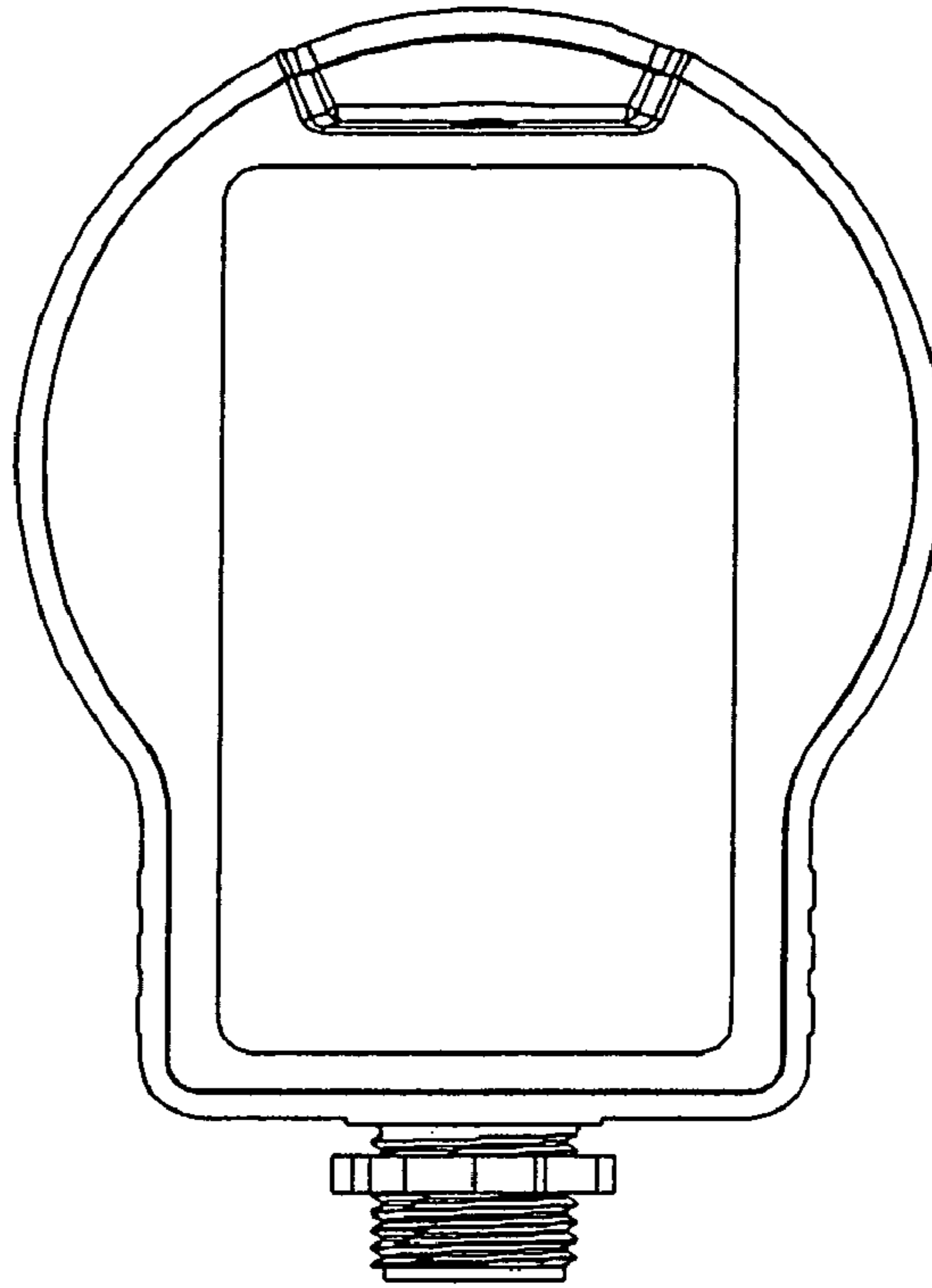
**FIG. 5**



**FIG. 6**



**FIG. 7**



**FIG. 8**

