



US00D587611S

(12) **United States Design Patent**  
**Oshima et al.**

(10) **Patent No.:** **US D587,611 S**  
(45) **Date of Patent:** **\*\* Mar. 3, 2009**

(54) **FLOW SENSOR**

(75) Inventors: **Yuta Oshima**, Tsukubamirai (JP);  
**Yasuhiro Yamashita**, Tsukubamirai (JP)

(73) Assignee: **SMC Corporation**, Chiyoda-ku, Tokyo  
(JP)

(\*\*) Term: **14 Years**

(21) Appl. No.: **29/307,097**

(22) Filed: **Mar. 31, 2008**

(30) **Foreign Application Priority Data**

Nov. 13, 2007 (JP) ..... 2007-031290

(51) **LOC (9) Cl.** ..... **10-04**

(52) **U.S. Cl.** ..... **D10/96; D10/83**

(58) **Field of Classification Search** ..... D10/83,  
D10/96; 73/204.21, 861.63, 861.64, 861.351-861.357  
See application file for complete search history.

(56) **References Cited**

**U.S. PATENT DOCUMENTS**

- D344,465 S \* 2/1994 Brew et al. .... D10/96
- D373,735 S \* 9/1996 Kurisaki et al. .... D10/96
- D373,736 S \* 9/1996 Kurisaki et al. .... D10/83
- D373,737 S \* 9/1996 Kurisaki et al. .... D10/83
- D373,959 S \* 9/1996 Kurisaki et al. .... D10/83

- D447,072 S \* 8/2001 Asai et al. .... D10/96
- 6,952,960 B2 \* 10/2005 Nozoe et al. .... 73/204.21
- 7,100,440 B2 \* 9/2006 Morisawa et al. .... 73/204.22
- D562,169 S \* 2/2008 Oshima et al. .... D10/96

\* cited by examiner

*Primary Examiner*—Antoine D Davis

(74) *Attorney, Agent, or Firm*—Yokoi & Co., U.S.A., Inc.;  
Peter Ganjian

(57) **CLAIM**

The ornamental design for a flow sensor, as shown and described.

**DESCRIPTION**

FIG. 1 shows a front view of a flow sensor showing my new design;

FIG. 2 shows a rear view thereof;

FIG. 3 shows a top view thereof;

FIG. 4 shows a bottom view thereof;

FIG. 5 shows a left side view thereof;

FIG. 6 shows a right side view thereof;

FIG. 7 shows a top, front and right side perspective view thereof; and,

FIG. 8 is a cross-sectional view drawn along line 8—8 shown in FIG. 7.

**1 Claim, 4 Drawing Sheets**

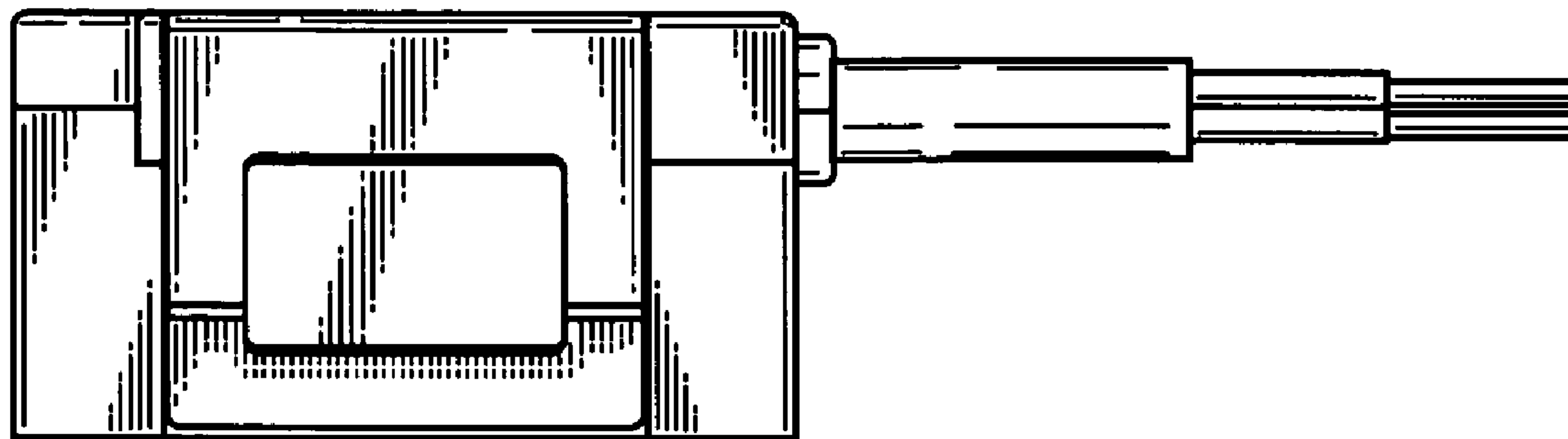


FIG. 1

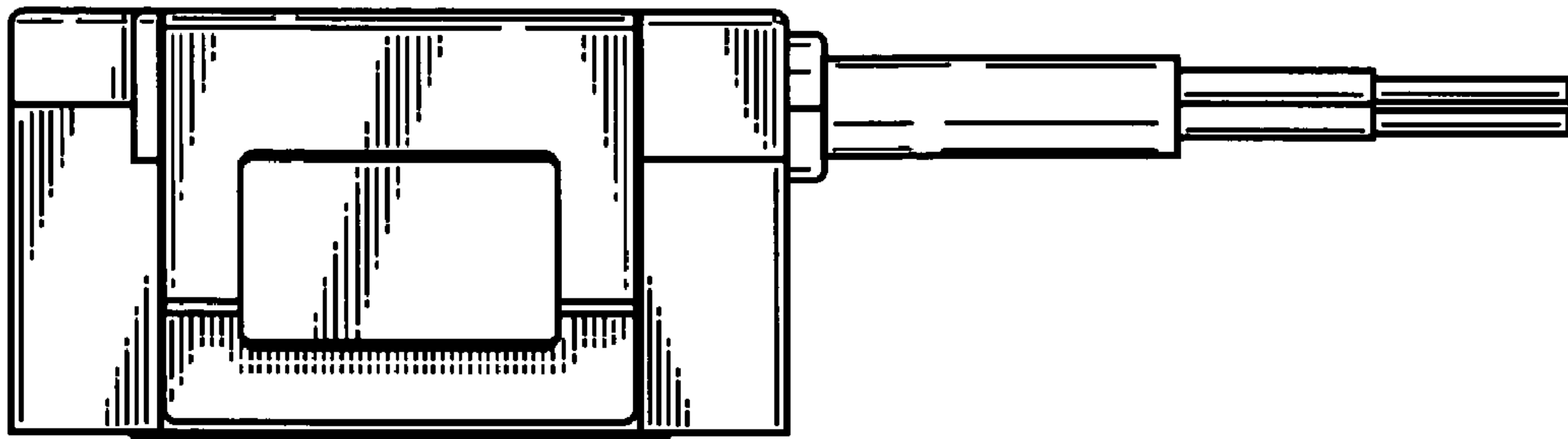


FIG. 2

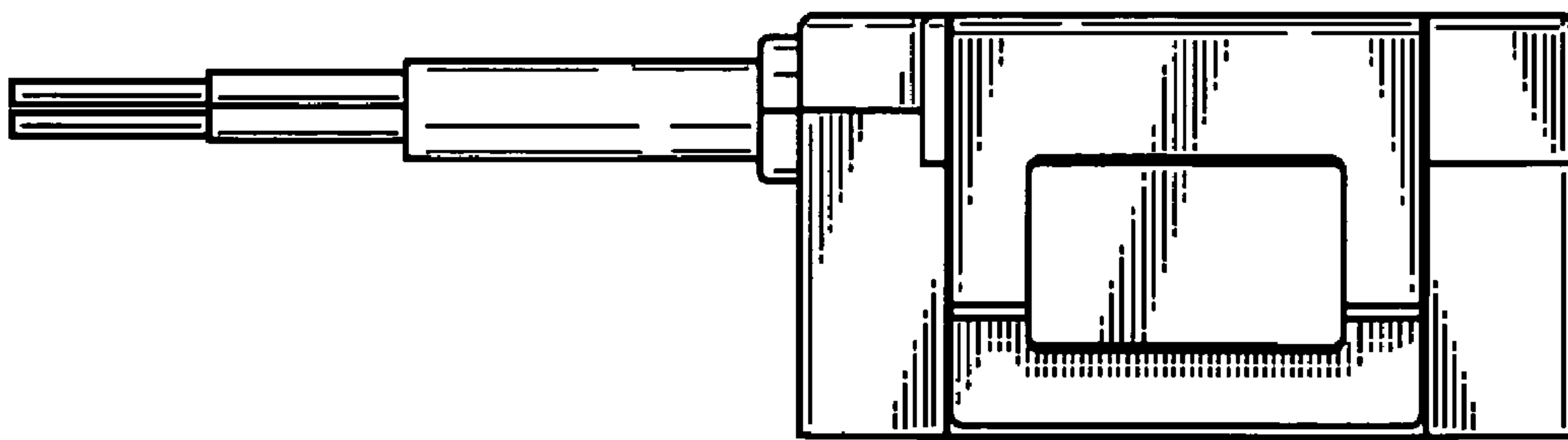


FIG. 3

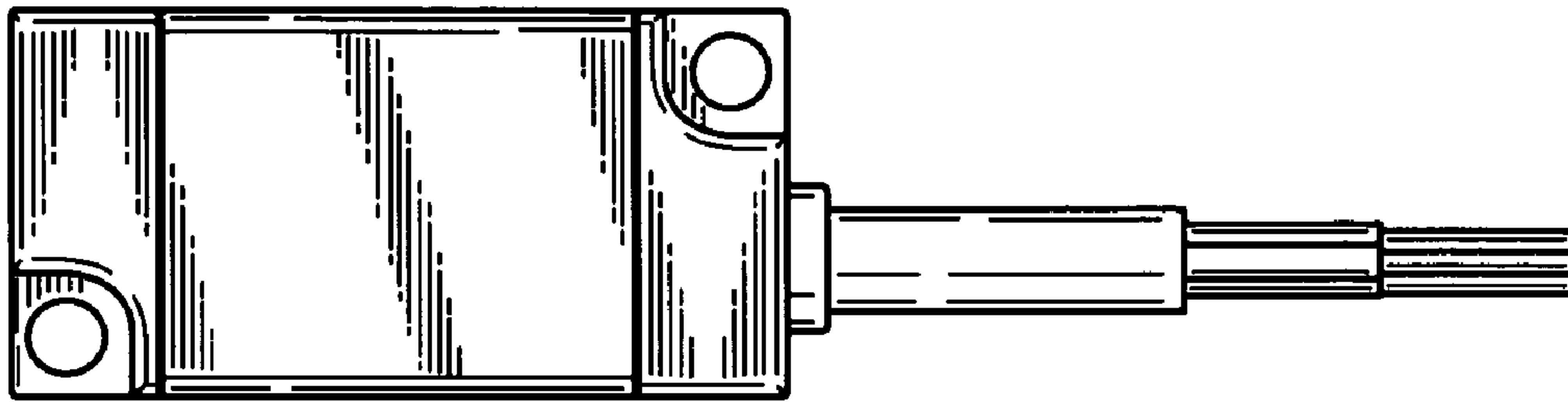


FIG. 4

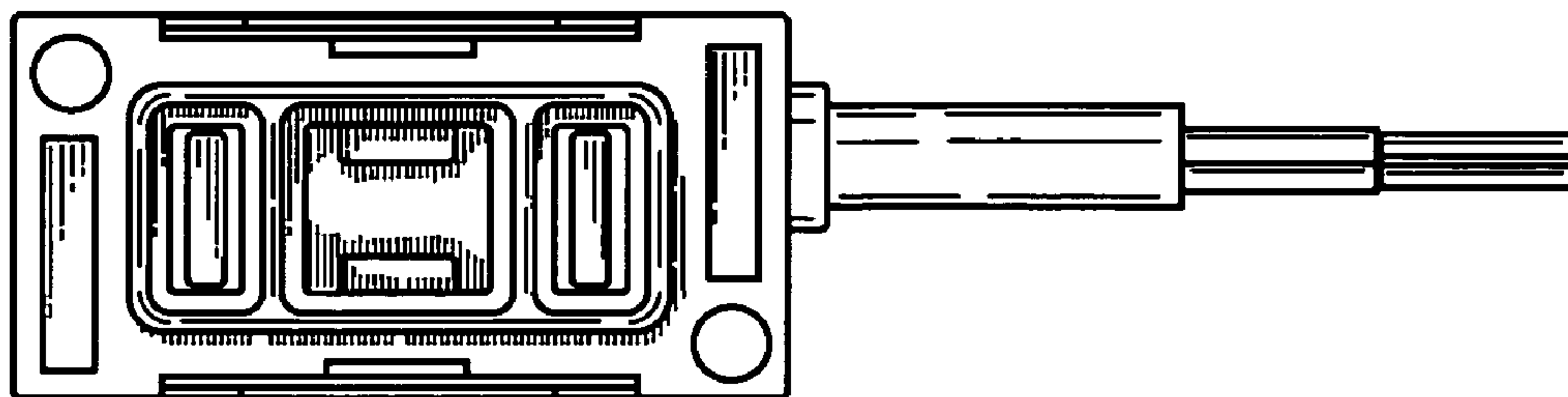


FIG. 5

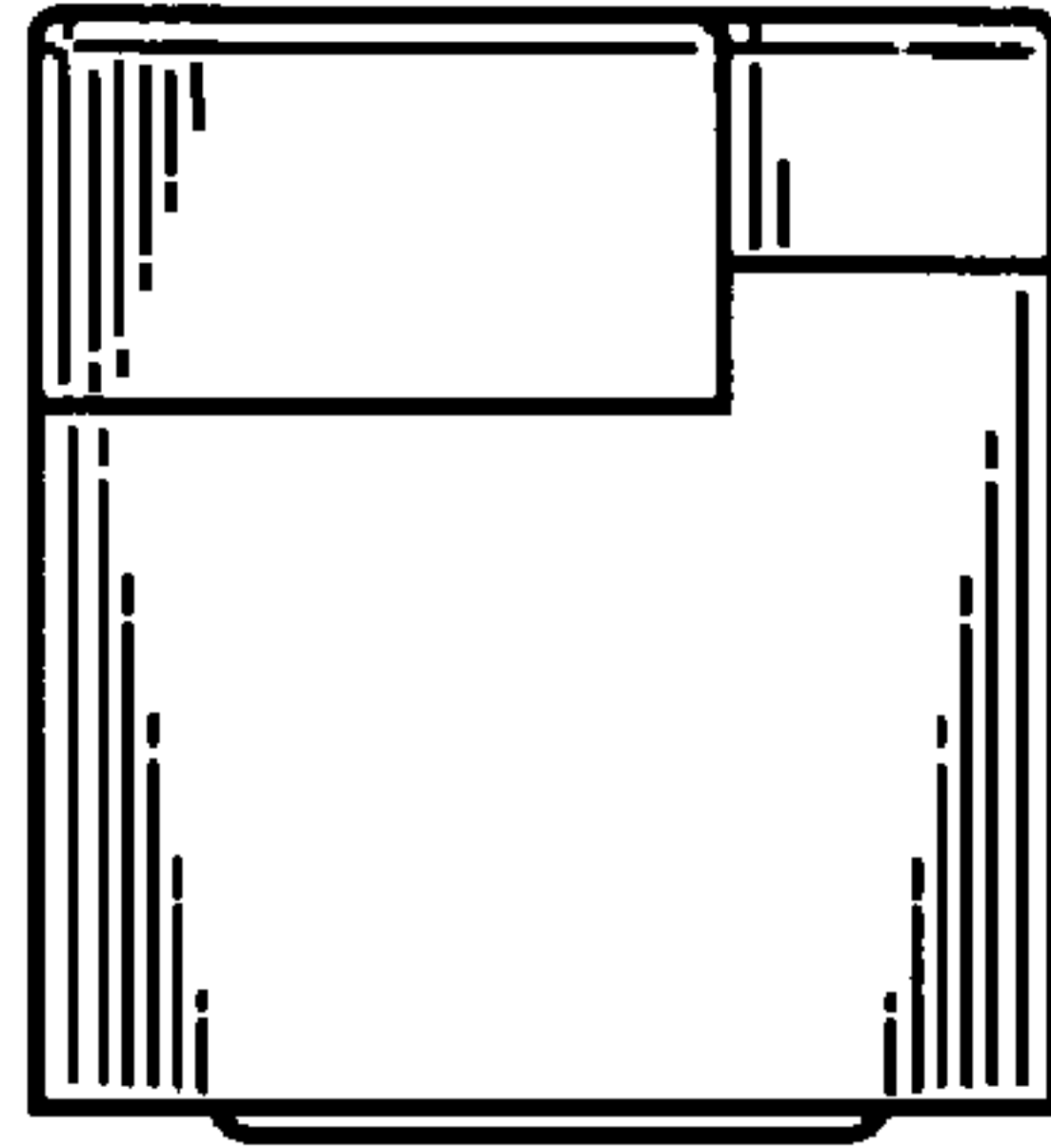


FIG. 6

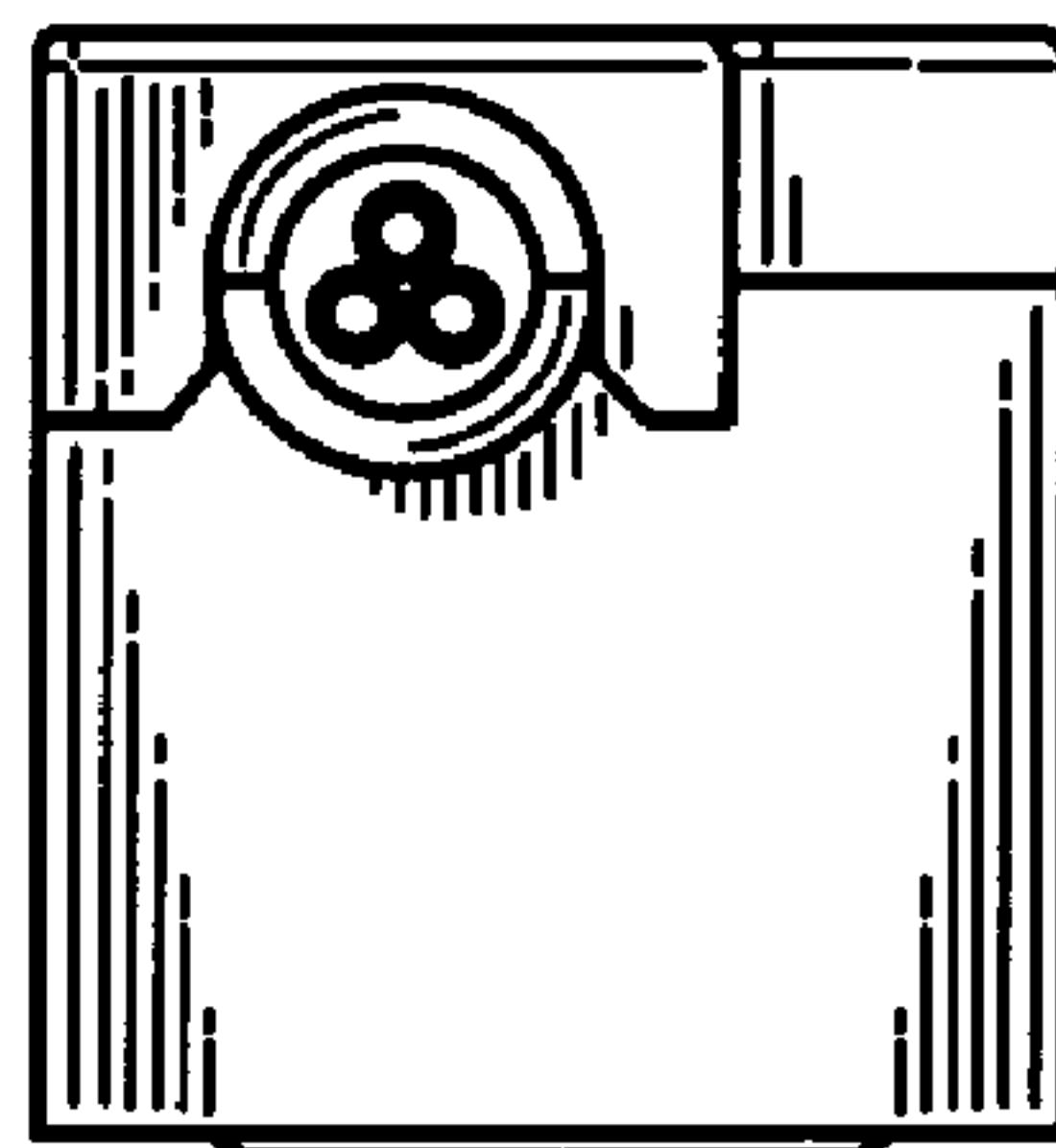


FIG. 7

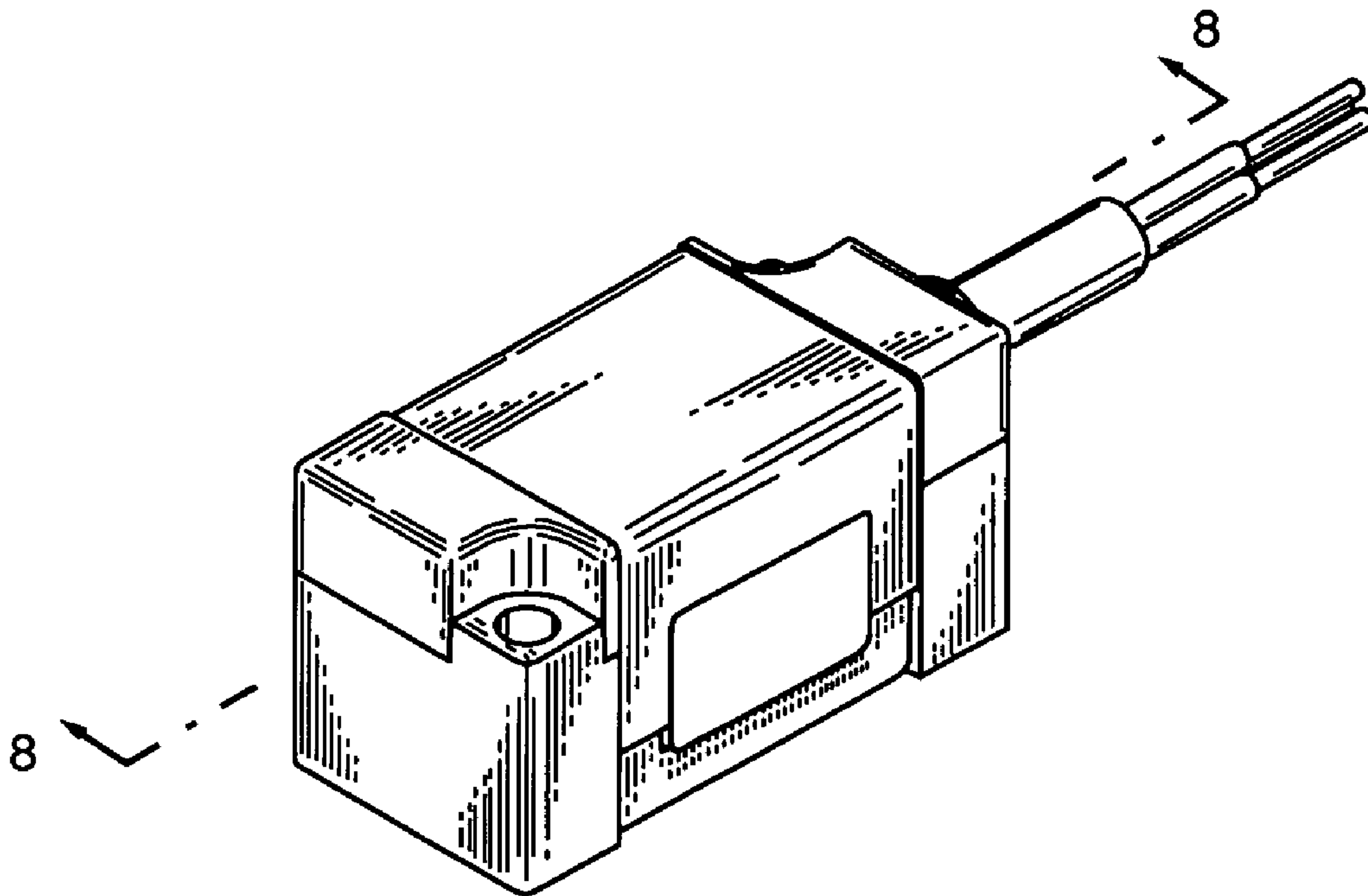


FIG. 8

