



US00D587610S

(12) **United States Design Patent**
Benning et al.

(10) **Patent No.:** **US D587,610 S**
(45) **Date of Patent:** **** Mar. 3, 2009**

(54) **TOTAL AIR TEMPERATURE PROBE**

5,731,507 A 3/1998 Hagen et al.
6,070,475 A 6/2000 Muehlhauser et al.

(75) Inventors: **Kevin J. Benning**, Lakeville, MN (US);
Fred A. Steffen, Shakopee, MN (US);
Charles R. Willcox, Eden Prairie, MN
(US); **Paul A. Ice**, Apple Valley, MN
(US)

(Continued)

FOREIGN PATENT DOCUMENTS

FR 2 808 874 5/2000
WO 94/02814 2/1994
WO 01/44821 A1 6/2001

(73) Assignee: **Rosemount Aerospace Inc.**, Burnsville,
MN (US)

OTHER PUBLICATIONS

(**) Term: **14 Years**

Stickney, T. M. "Total Temperature Sensors, Technical Report 5755,
Revision C", Rosemount Aerospace/BF Goodrich, pp. 2-28, Jan.
1994.

(21) Appl. No.: **29/291,718**

Primary Examiner—Antoine D Davis

(22) Filed: **Mar. 26, 2007**

(74) *Attorney, Agent, or Firm*—John D. Veldhuis-Kroeze;
Westman, Champlin & Kelly, P.A.

Related U.S. Application Data

(62) Division of application No. 29/238,690, filed on Sep.
20, 2005, now Pat. No. Des. 548,634.

(57) **CLAIM**

The ornamental design for a total air temperature probe, as
shown and described.

(51) **LOC (9) Cl.** **10-04**

(52) **U.S. Cl.** **D10/96**

(58) **Field of Classification Search** D10/96;
73/861.65–861.68; 374/135, 138, 148
See application file for complete search history.

DESCRIPTION

FIG. 1 is a perspective view as seen from the front, side and
top of a second embodiment of a total air temperature probe of
the present invention;

(56) **References Cited**

U.S. PATENT DOCUMENTS

2,970,475 A 2/1961 Werner
3,167,960 A 2/1965 Miesiak
3,368,406 A 2/1968 Himbaugh
3,512,414 A 5/1970 Rees
4,036,054 A 7/1977 Goulet
4,047,379 A 9/1977 Brookes et al.
4,206,645 A 6/1980 Orcutt
4,403,872 A 9/1983 DeLeo
4,458,137 A 7/1984 Kirkpatrick
4,821,566 A 4/1989 Johnston et al.
5,043,558 A 8/1991 Byles
5,302,026 A 4/1994 Phillips
5,466,067 A 11/1995 Hagen et al.
5,628,565 A 5/1997 Hagen et al.

FIG. 2 is a top plan view of the total air temperature probe of
FIG. 1;

FIG. 3 is a bottom plan view of the total air temperature probe
of FIG. 1;

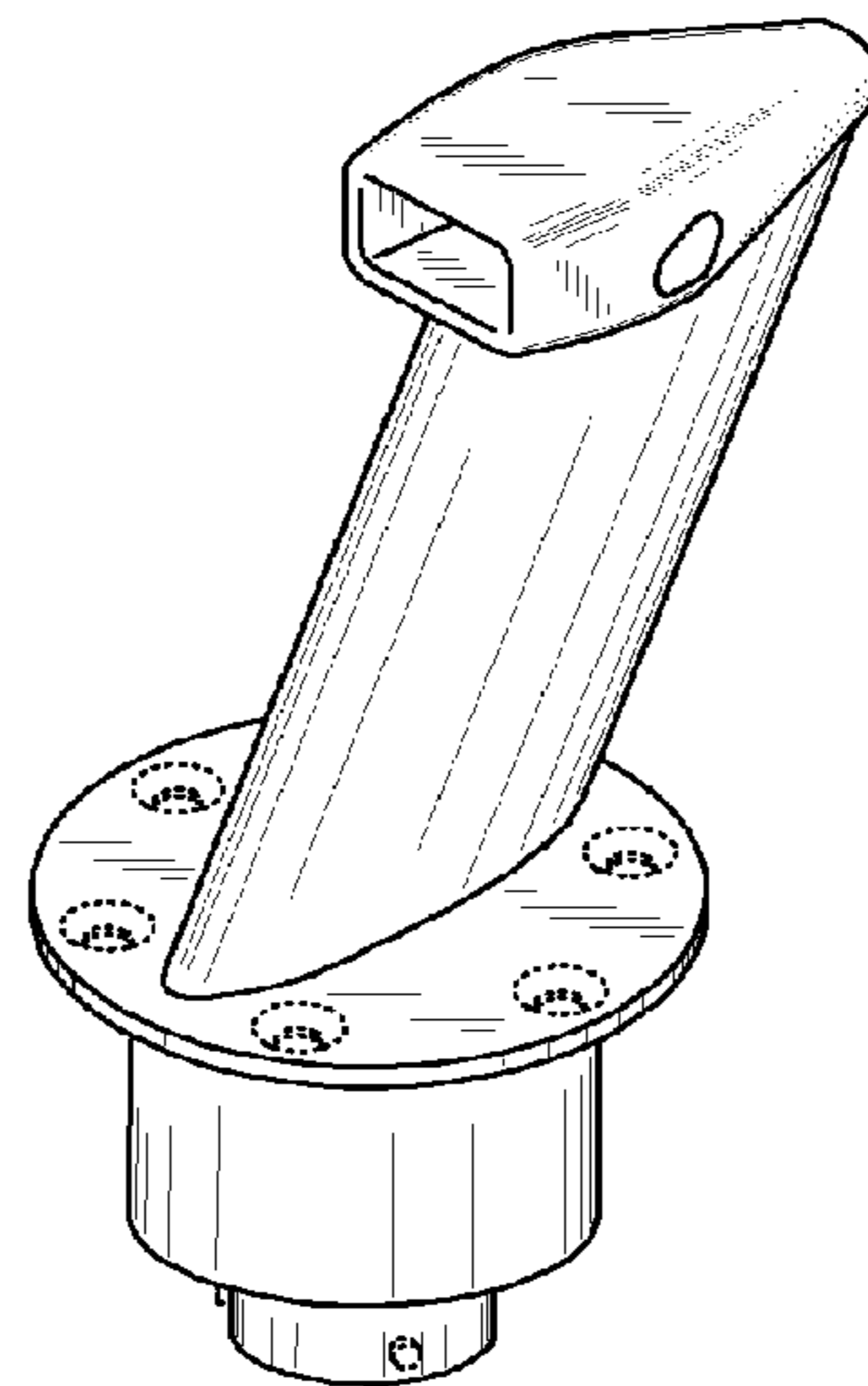
FIG. 4 is a front elevational view of the total air temperature
probe of FIG. 1;

FIG. 5 is a rear elevational view of the total air temperature
probe of FIG. 1;

FIG. 6 is a right side view of the total air temperature probe of
FIG. 1; and,

FIG. 7 is a left side view of the total air temperature probe of
FIG. 1.

1 Claim, 4 Drawing Sheets



US D587,610 S

Page 2

U.S. PATENT DOCUMENTS

6,076,963	A	6/2000	Menzies et al.	6,840,672	B2	1/2005	Ice et al.
6,609,825	B2	8/2003	Ice et al.	D548,634	S	8/2007	Benning et al.
6,622,556	B1	9/2003	May	D566,595	S	4/2008	Benning et al. D10/96
6,651,515	B2	11/2003	Bernard	7,441,948	B2	10/2008	Bernard et al. 374/135
D497,114	S	10/2004	Willcox	2007/0064766	A1	3/2007	Benning

* cited by examiner

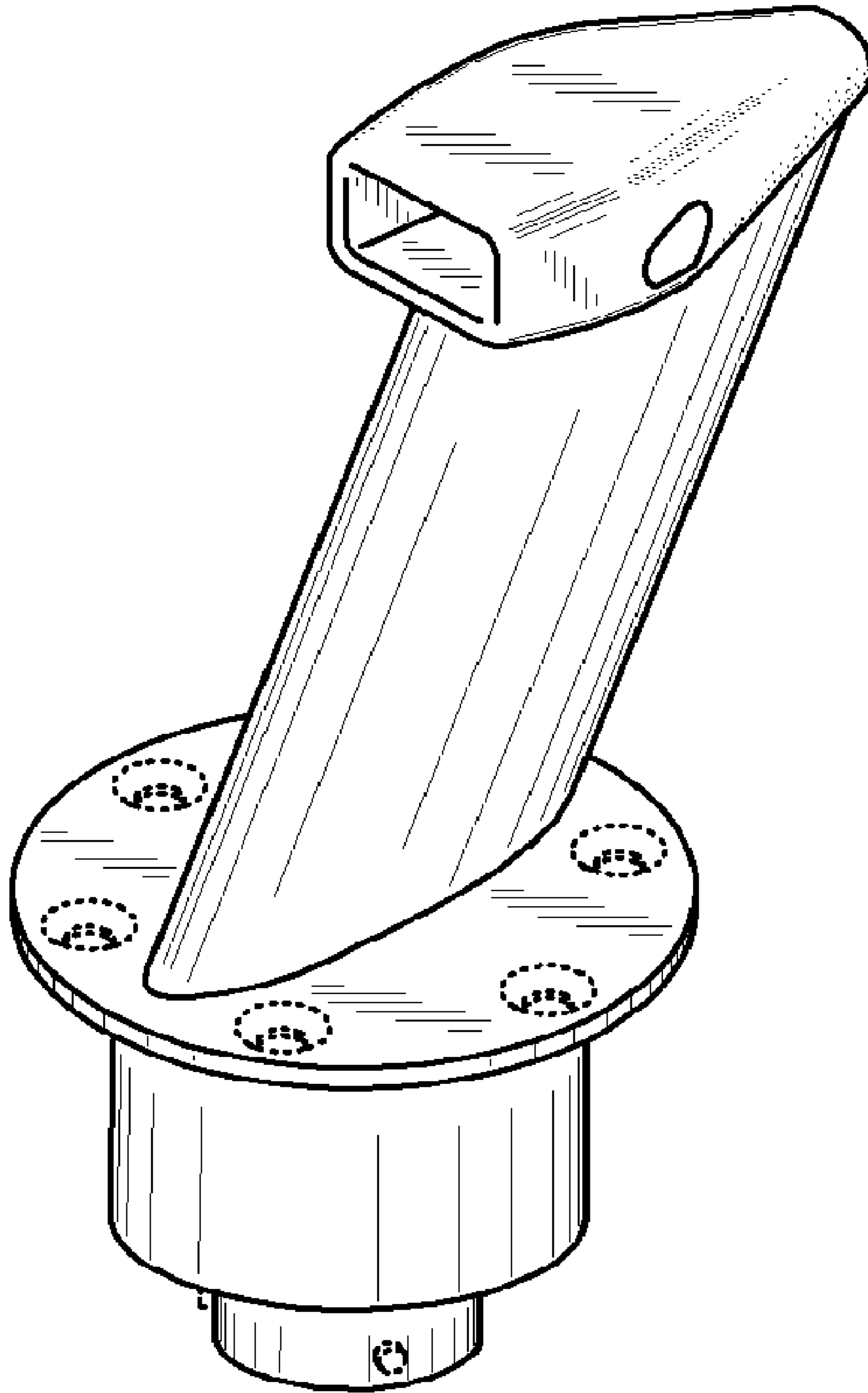


FIG. 1

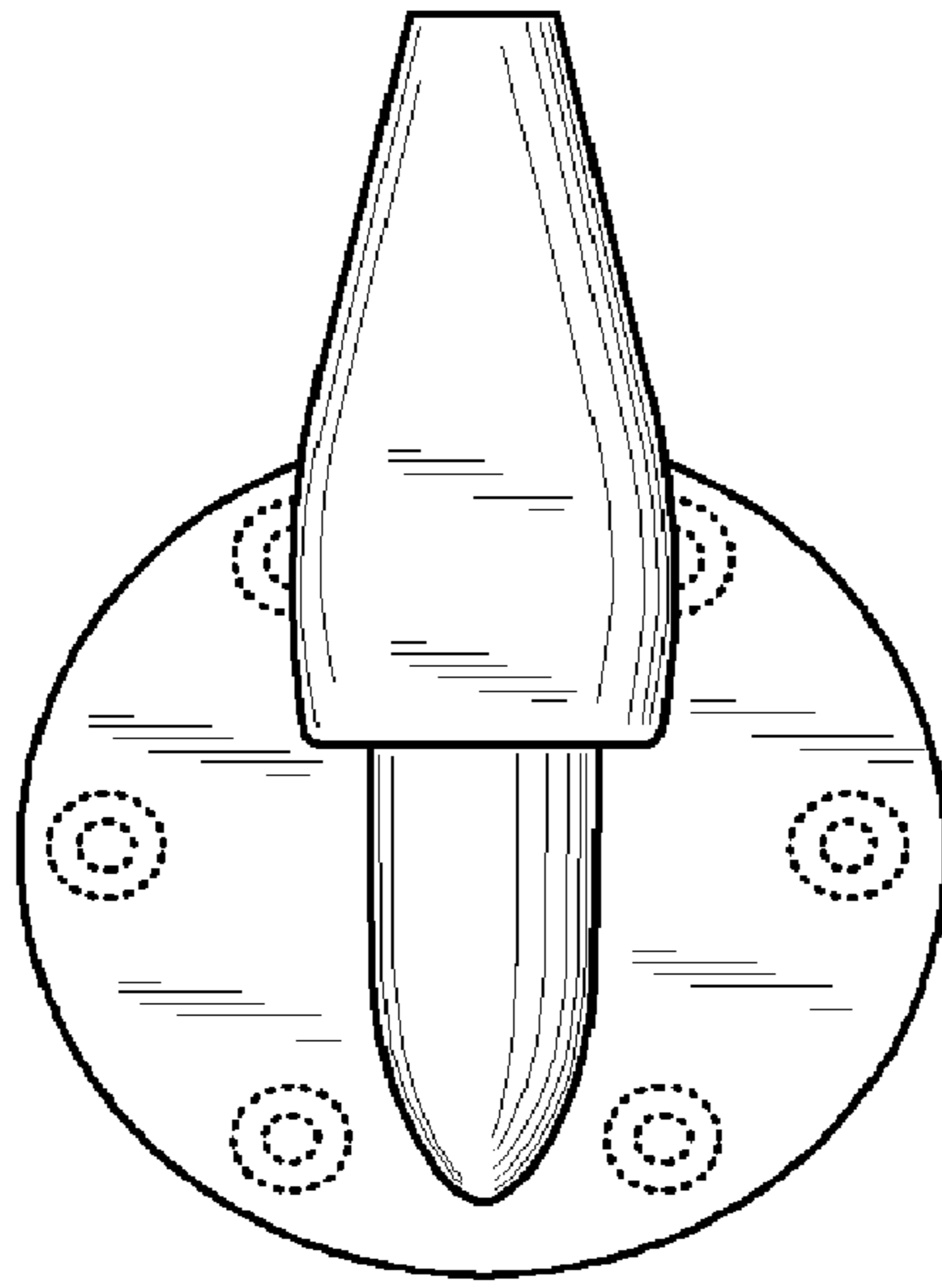


FIG. 2

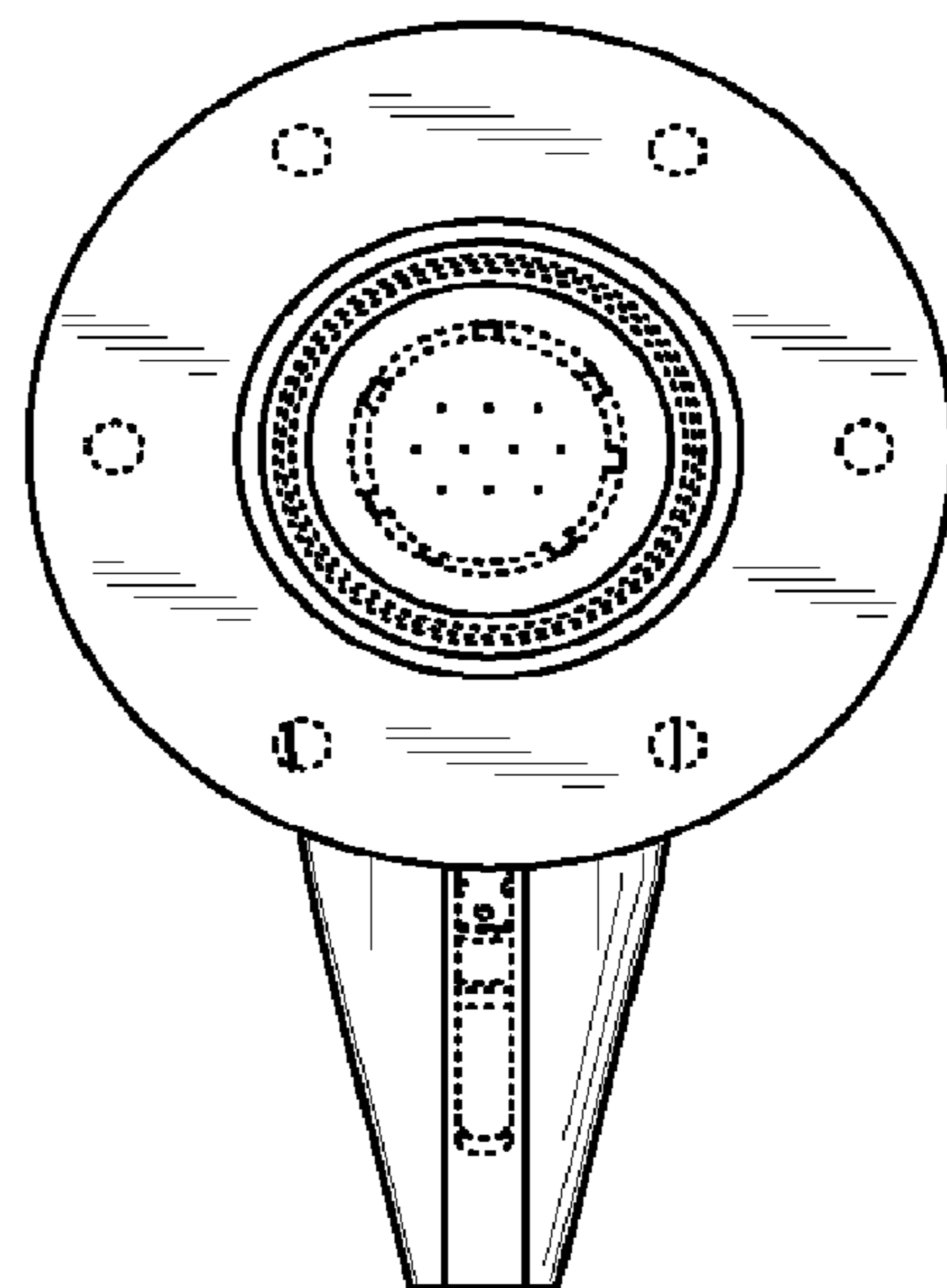


FIG. 3

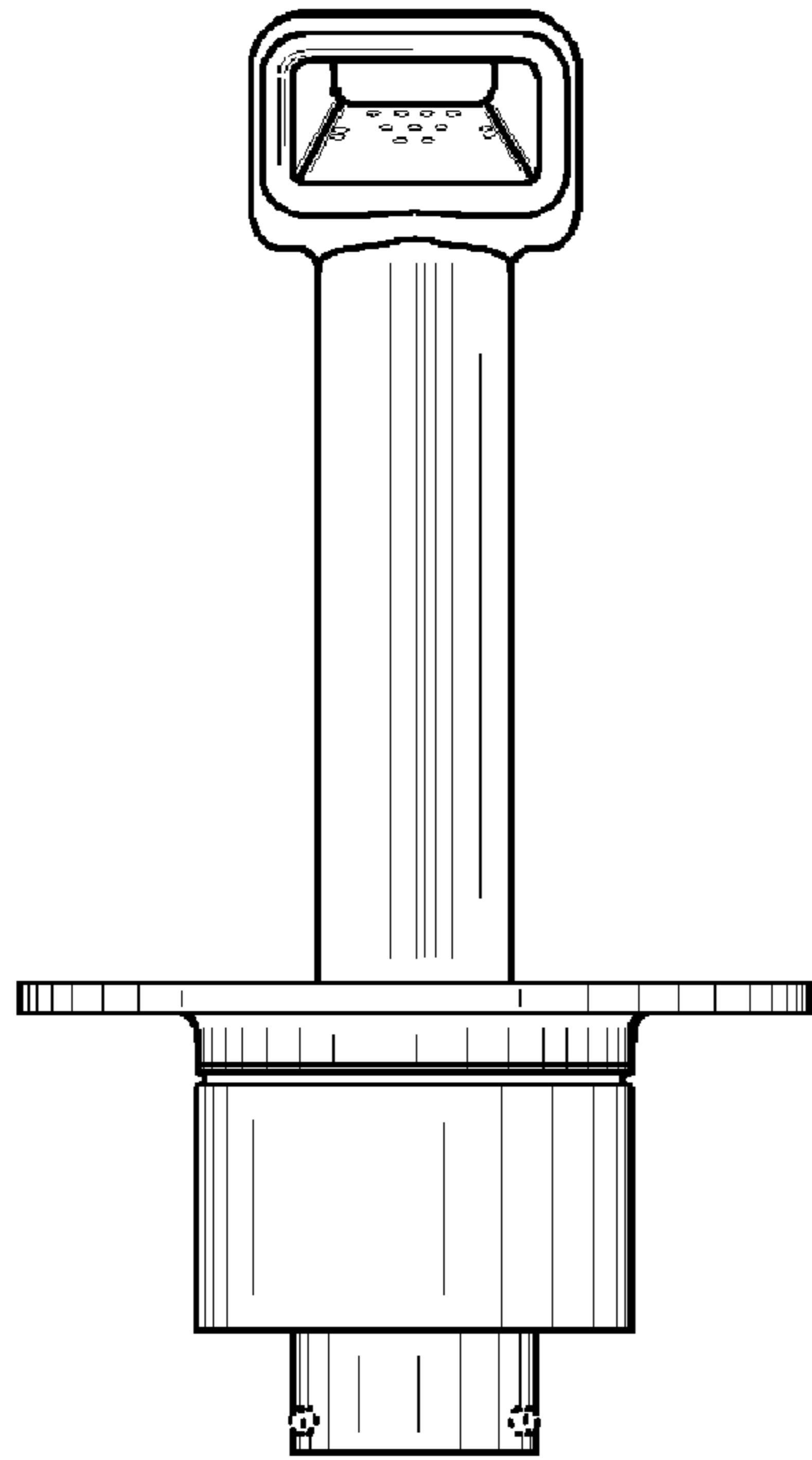
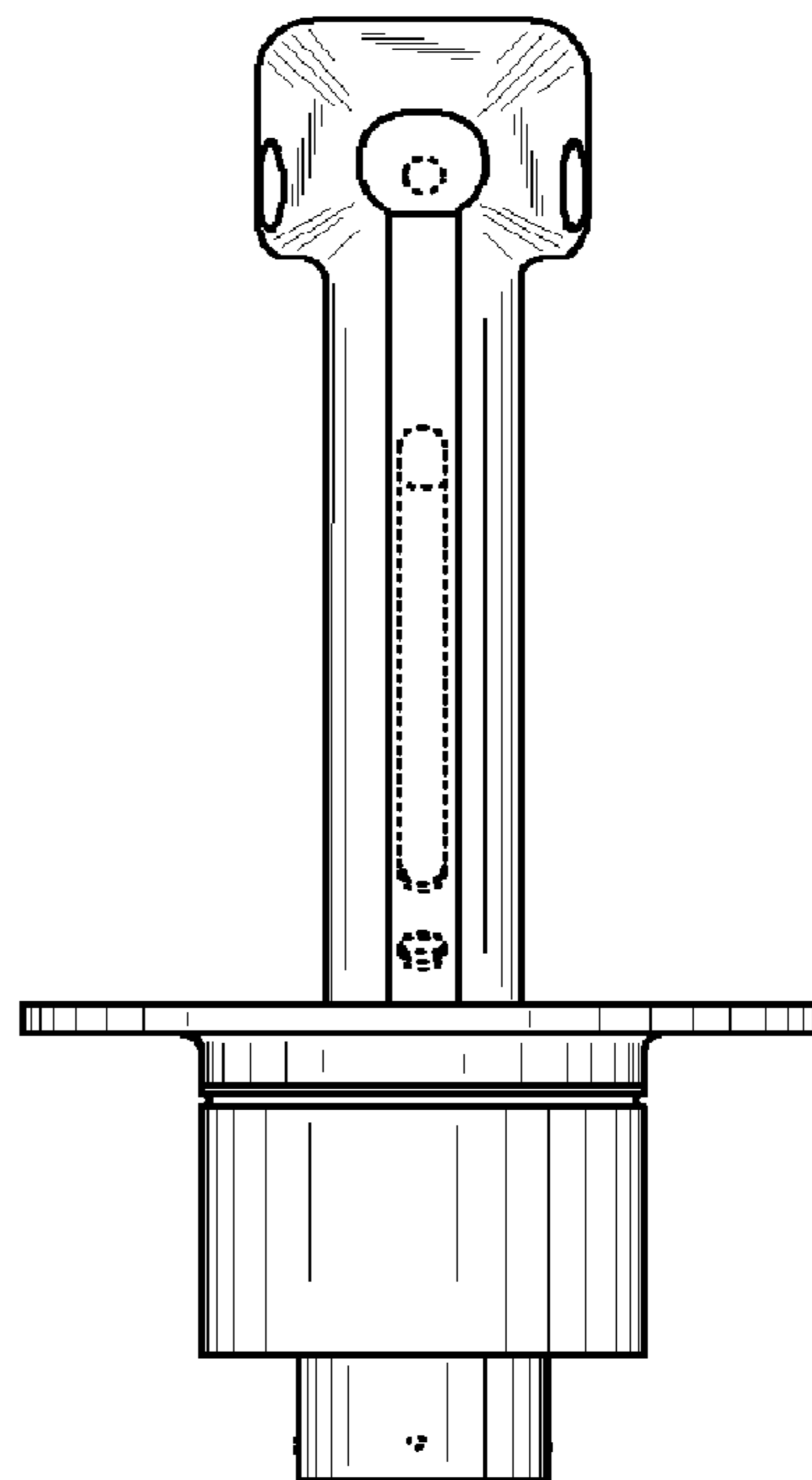


FIG. 4

FIG. 5



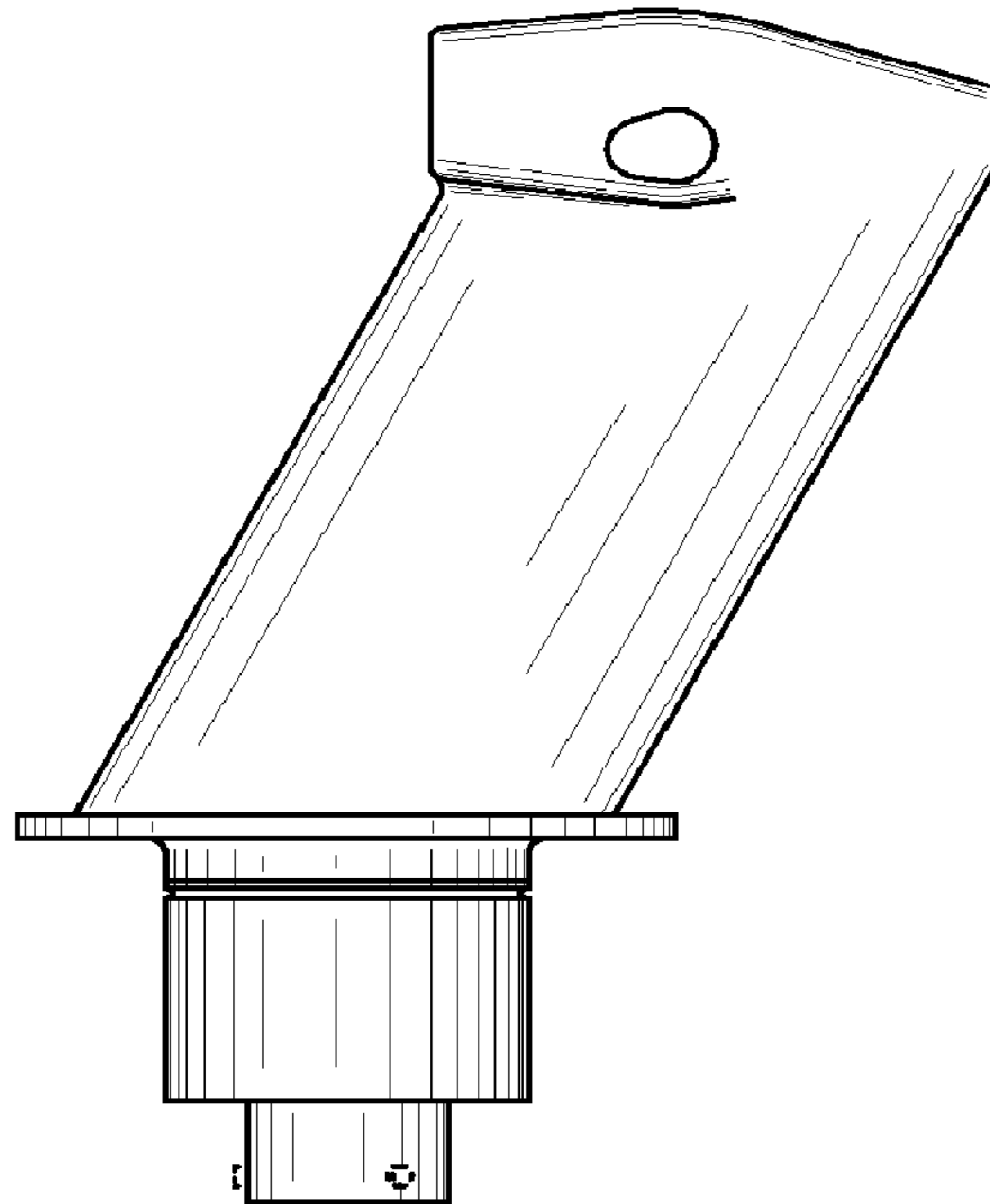


FIG. 6

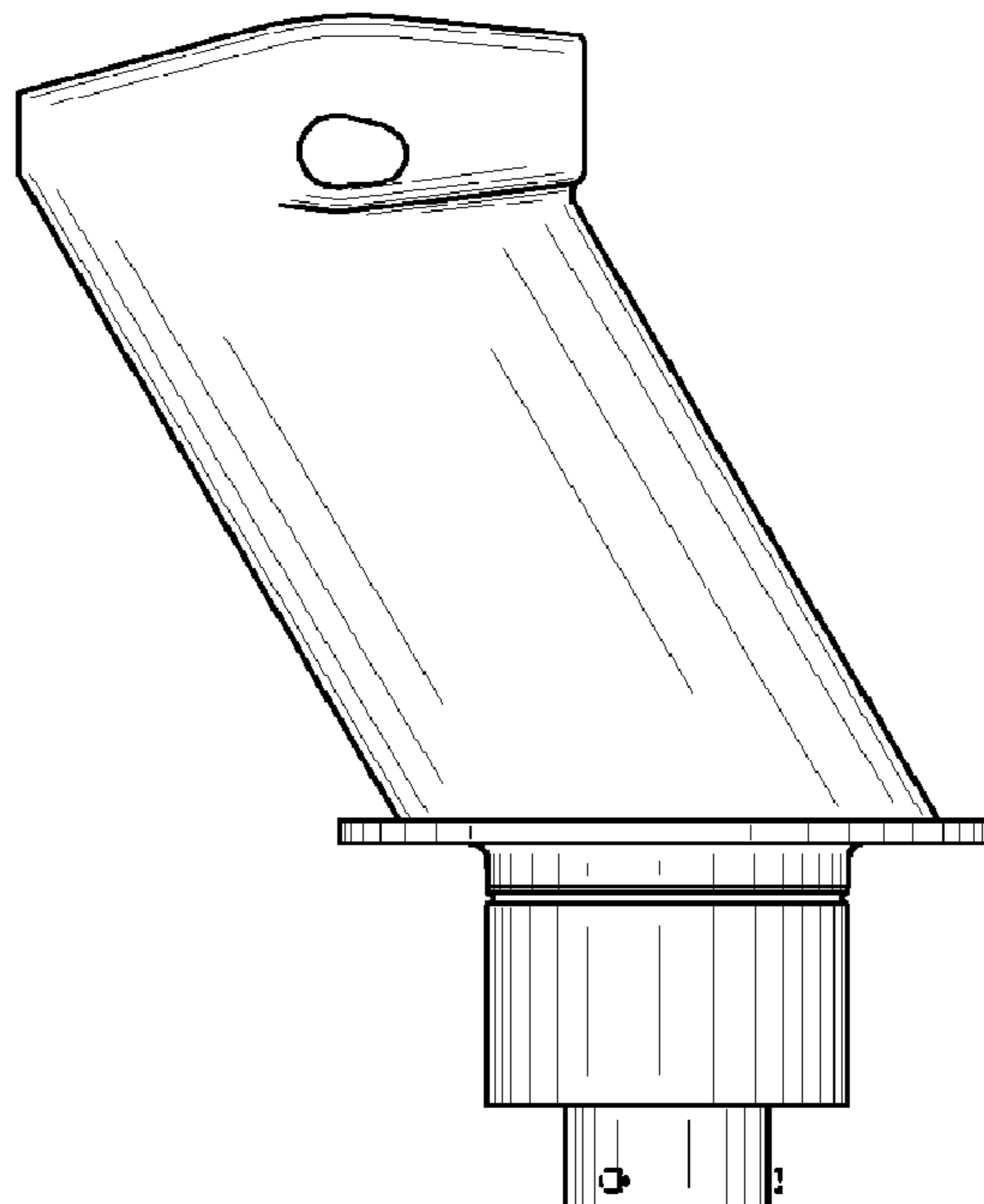


FIG. 7