



US00D587608S

(12) **United States Design Patent**  
**Marmier**

(10) **Patent No.:** **US D587,608 S**  
(45) **Date of Patent:** **\*\* Mar. 3, 2009**

(54) **BALANCE**  
(75) Inventor: **Yves Marmier**, La Chaux-de-Fonds (CH)  
(73) Assignee: **Mettler-Toledo AG**, Greifensee (CH)  
(\*\*) Term: **14 Years**  
(21) Appl. No.: **29/321,036**  
(22) Filed: **Jul. 9, 2008**

6,844,507 B2 \* 1/2005 Leisinger et al. .... 177/180  
D506,941 S 7/2005 Leisinger et al.  
D514,966 S \* 2/2006 Leisinger et al. .... D10/91  
6,995,323 B2 \* 2/2006 Kunzi et al. .... 177/25.13  
D523,365 S 6/2006 Kajimoto et al.  
D526,919 S 8/2006 Marmier et al.  
7,232,963 B2 6/2007 Leisinger et al.  
7,256,357 B1 8/2007 Kesselman  
7,423,226 B2 \* 9/2008 Rotach et al. .... 177/180

\* cited by examiner

*Primary Examiner*—Antoine D Davis  
(74) *Attorney, Agent, or Firm*—Standley Law Group LLP

**Related U.S. Application Data**

(62) Division of application No. 29/298,640, filed on Dec. 10, 2007, now Pat. No. Des. 579,808.

(57) **CLAIM**

The ornamental design for a balance, as shown and described.

**Foreign Application Priority Data**

Jun. 15, 2007 (EM) ..... 000740790

**DESCRIPTION**

(51) **LOC (9) Cl.** ..... **10-04**  
(52) **U.S. Cl.** ..... **D10/91**  
(58) **Field of Classification Search** ..... D10/91;  
177/4, 25.12–25.16, 177, 199, 210 R, 238–245,  
177/262, 210 C, 30, 126, 127, DIG. 3; 324/692,  
324/512, 515, 806; 606/506, 547  
See application file for complete search history.

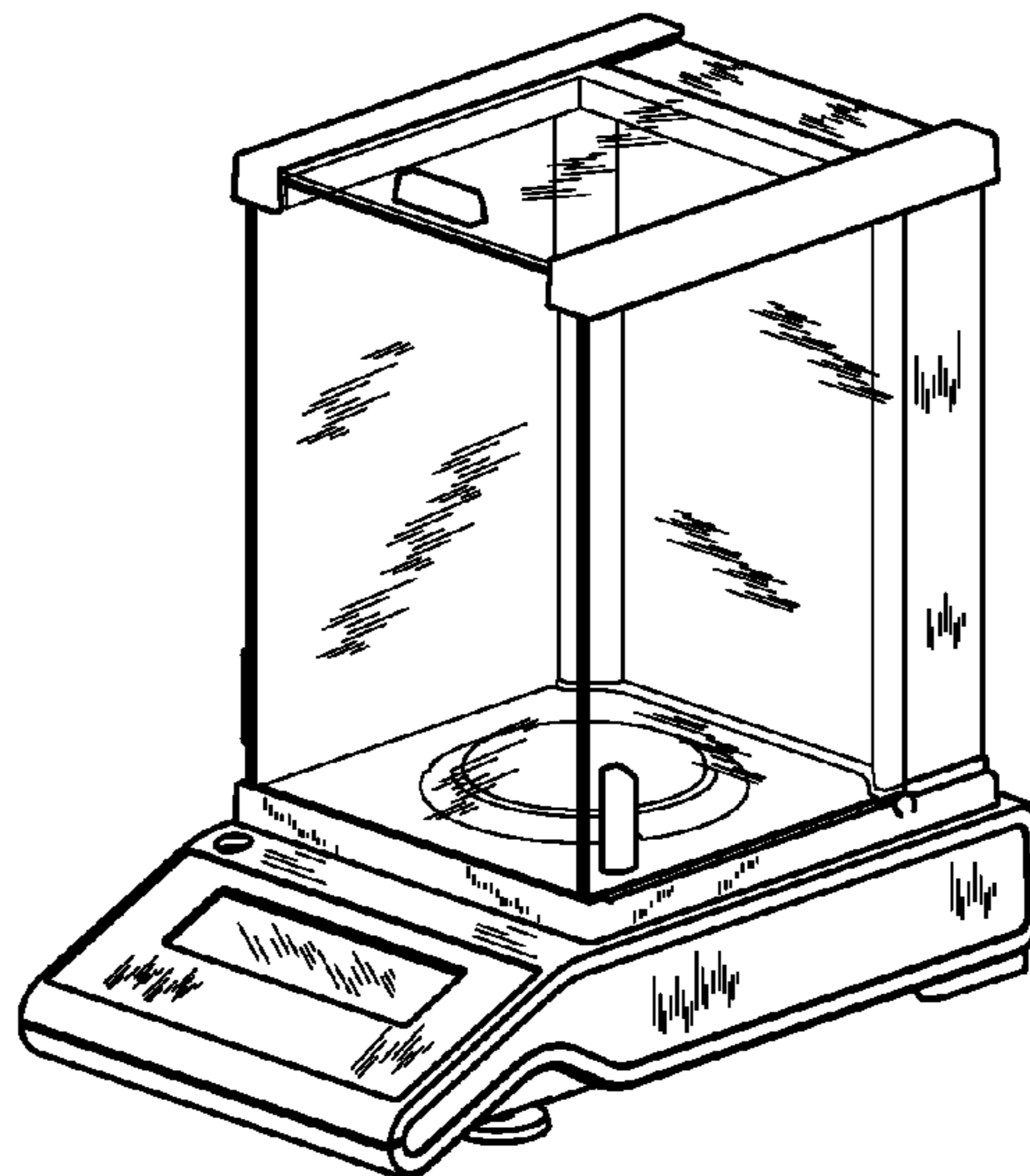
FIG. 1 is a front perspective view of a first embodiment of the balance;  
FIG. 2 is a left side elevation view of the FIG. 1 embodiment, the right side view being a mirror image thereof;  
FIG. 3 is a front elevation view of the FIG. 1 embodiment;  
FIG. 4 is a rear elevation view of the FIG. 1 embodiment;  
FIG. 5 is a top plan view of the FIG. 1 embodiment;  
FIG. 6 is a bottom plan view of the FIG. 1 embodiment;  
FIG. 7 is a front perspective view of a second embodiment of the balance;  
FIG. 8 is a left side elevation view of the FIG. 7 embodiment, the right side view being a mirror image thereof;  
FIG. 9 is a front elevation view of the FIG. 7 embodiment;  
FIG. 10 is a rear elevation view of the FIG. 7 embodiment;  
FIG. 11 is a top plan view of the FIG. 7 embodiment; and,  
FIG. 12 is a bottom plan view of the FIG. 7 embodiment.

(56) **References Cited**

**U.S. PATENT DOCUMENTS**

4,377,214 A 3/1983 Hansen et al.  
4,542,799 A 9/1985 Komoto  
4,619,337 A 10/1986 Behrend et al.  
4,872,119 A 10/1989 Kajimoto  
5,050,694 A 9/1991 Liang  
5,874,694 A \* 2/1999 Ruedisueli ..... 177/180  
6,246,018 B1 \* 6/2001 Schink ..... 177/180  
D458,553 S 6/2002 Dwertmann  
6,633,007 B1 \* 10/2003 Luchinger et al. .... 177/126  
6,777,625 B2 8/2004 Oldendorf

**1 Claim, 2 Drawing Sheets**



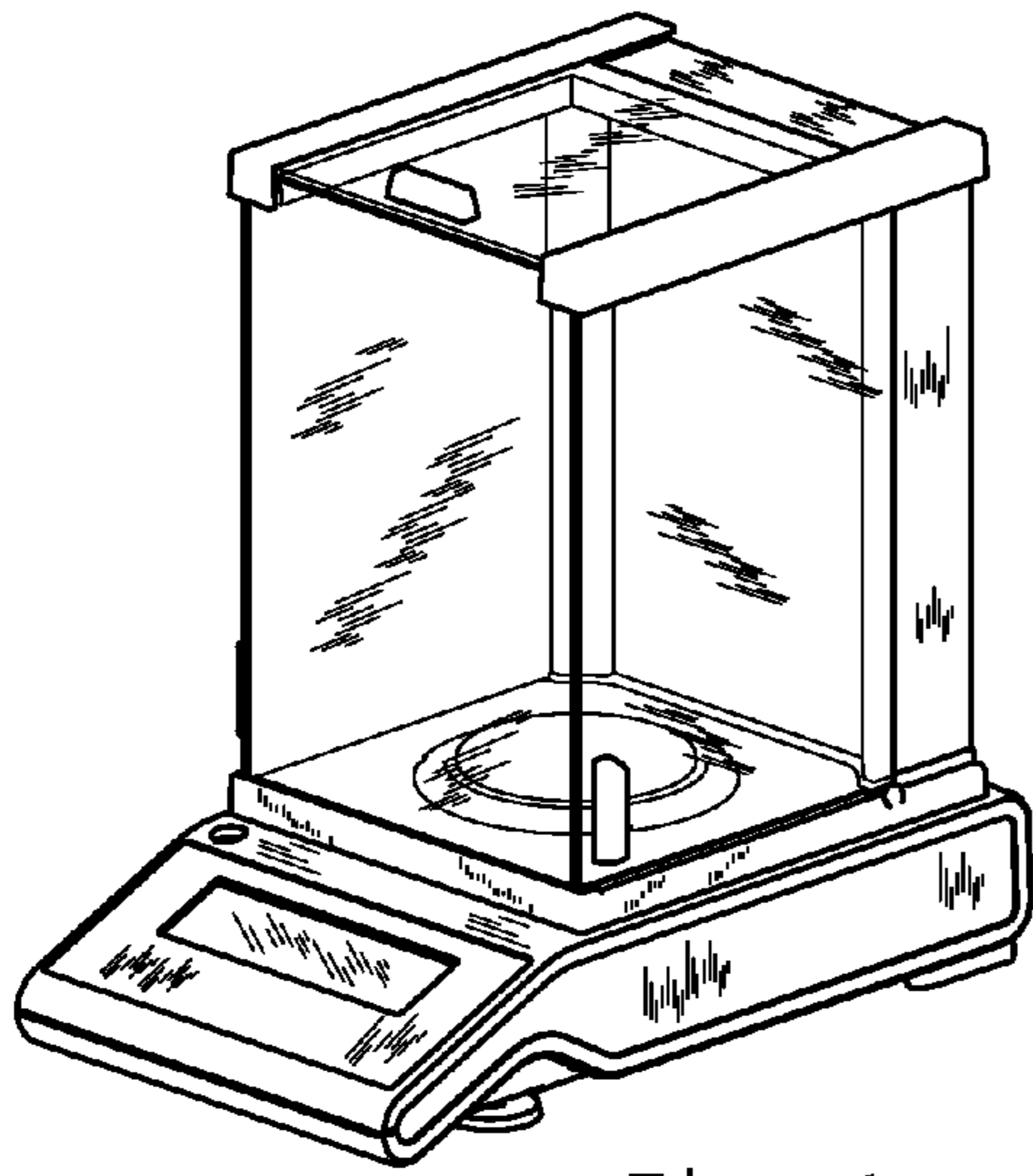


Fig. 1

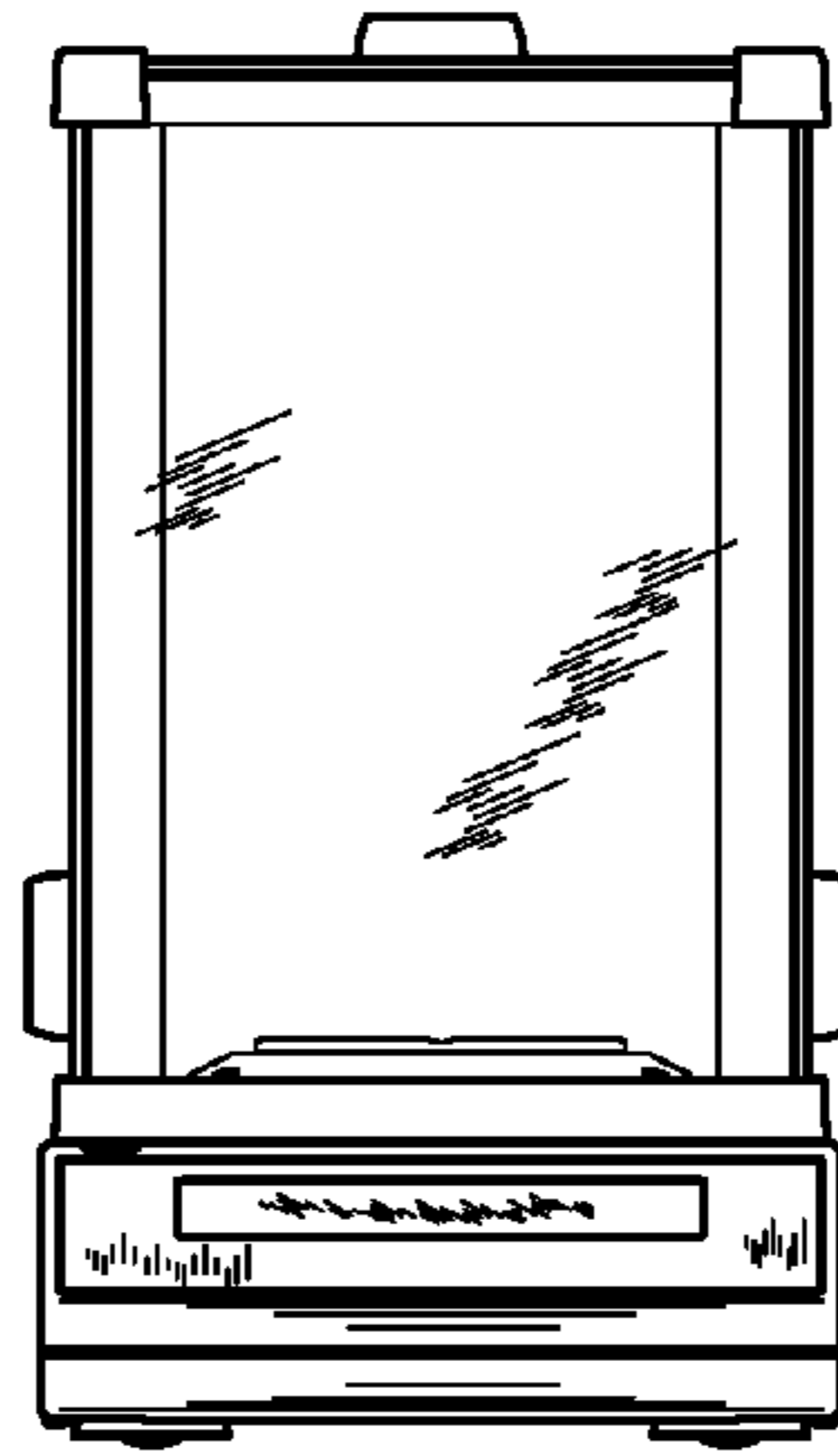


Fig. 3

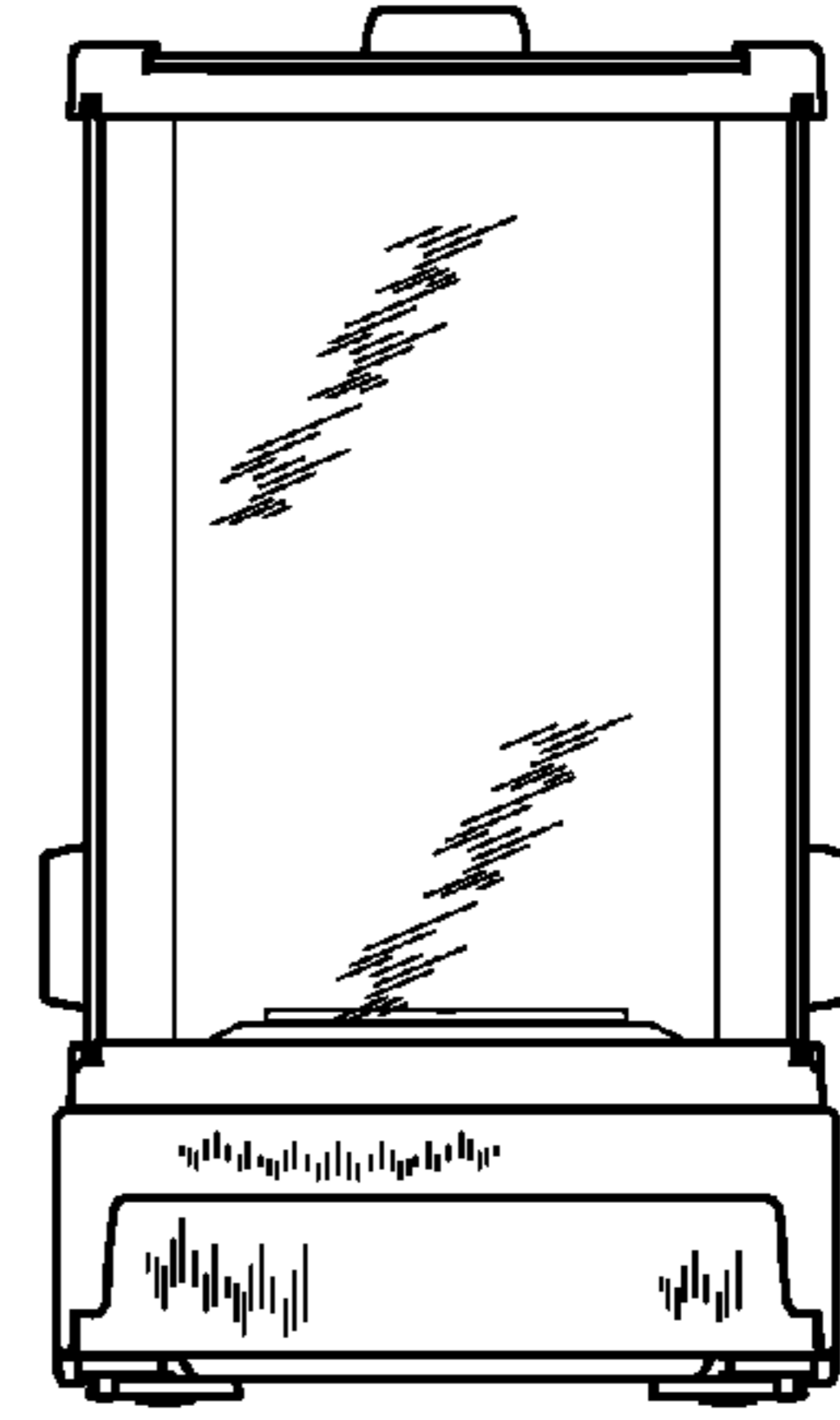


Fig. 4

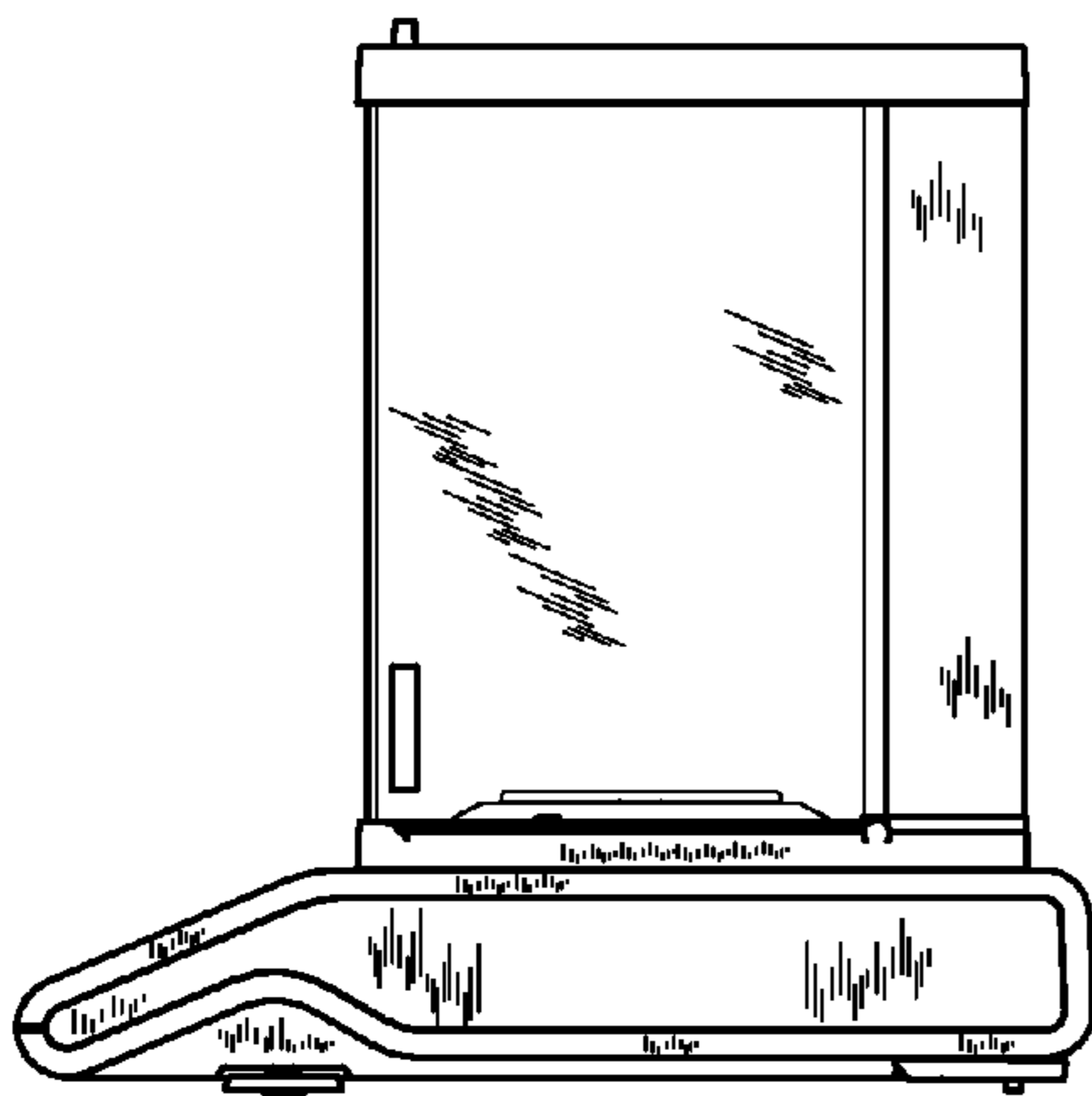


Fig. 2

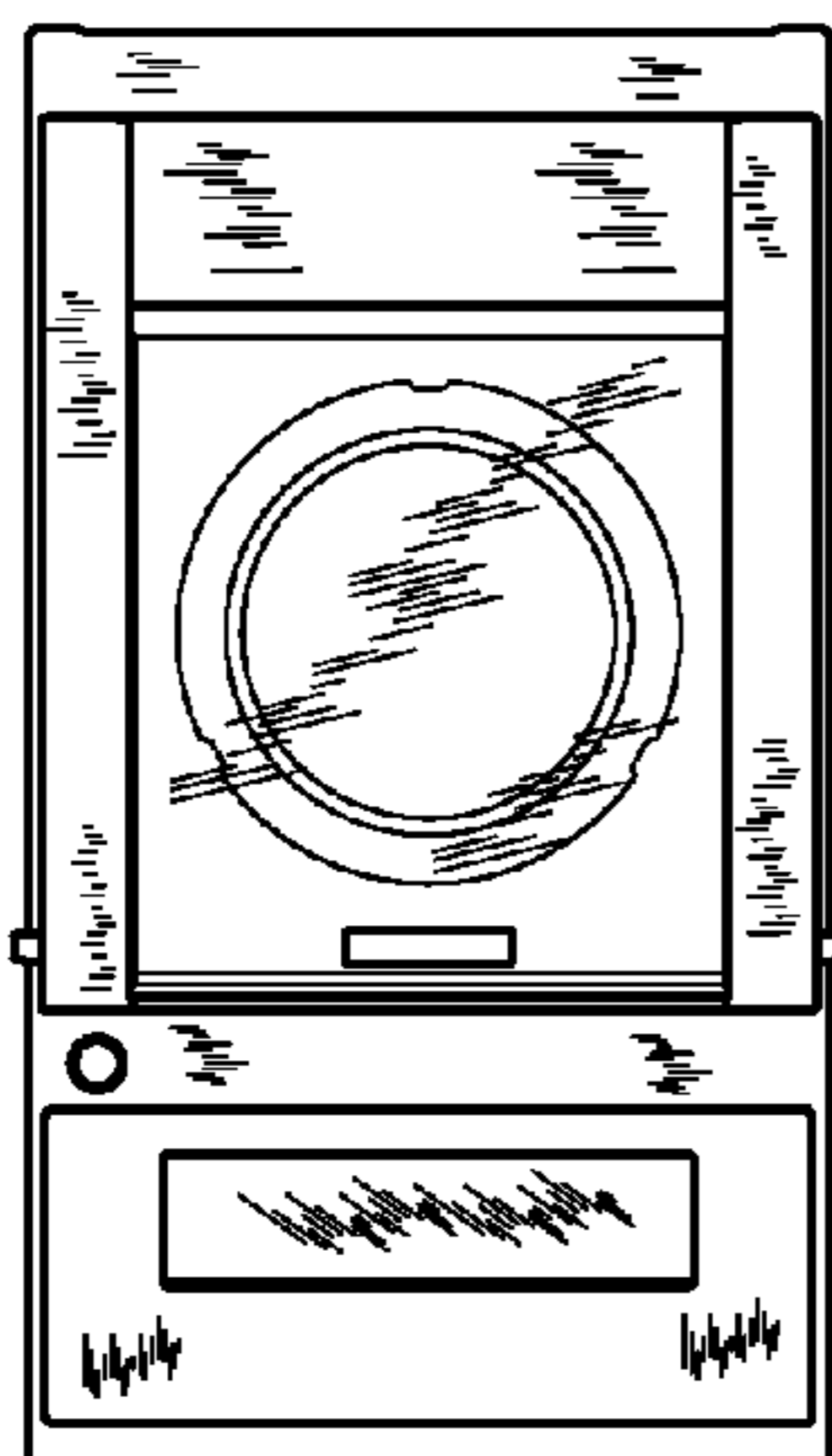


Fig. 5

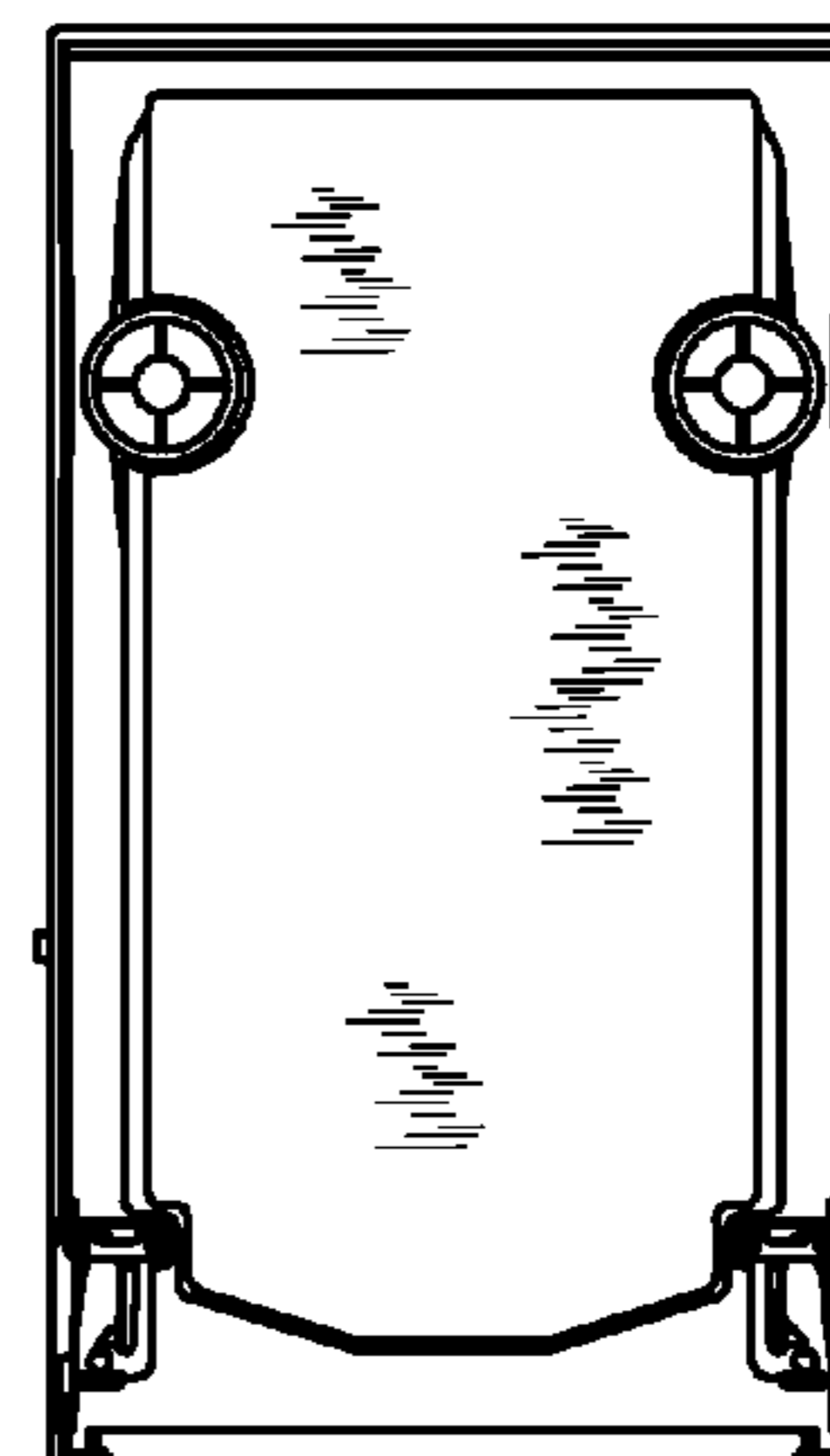


Fig. 6

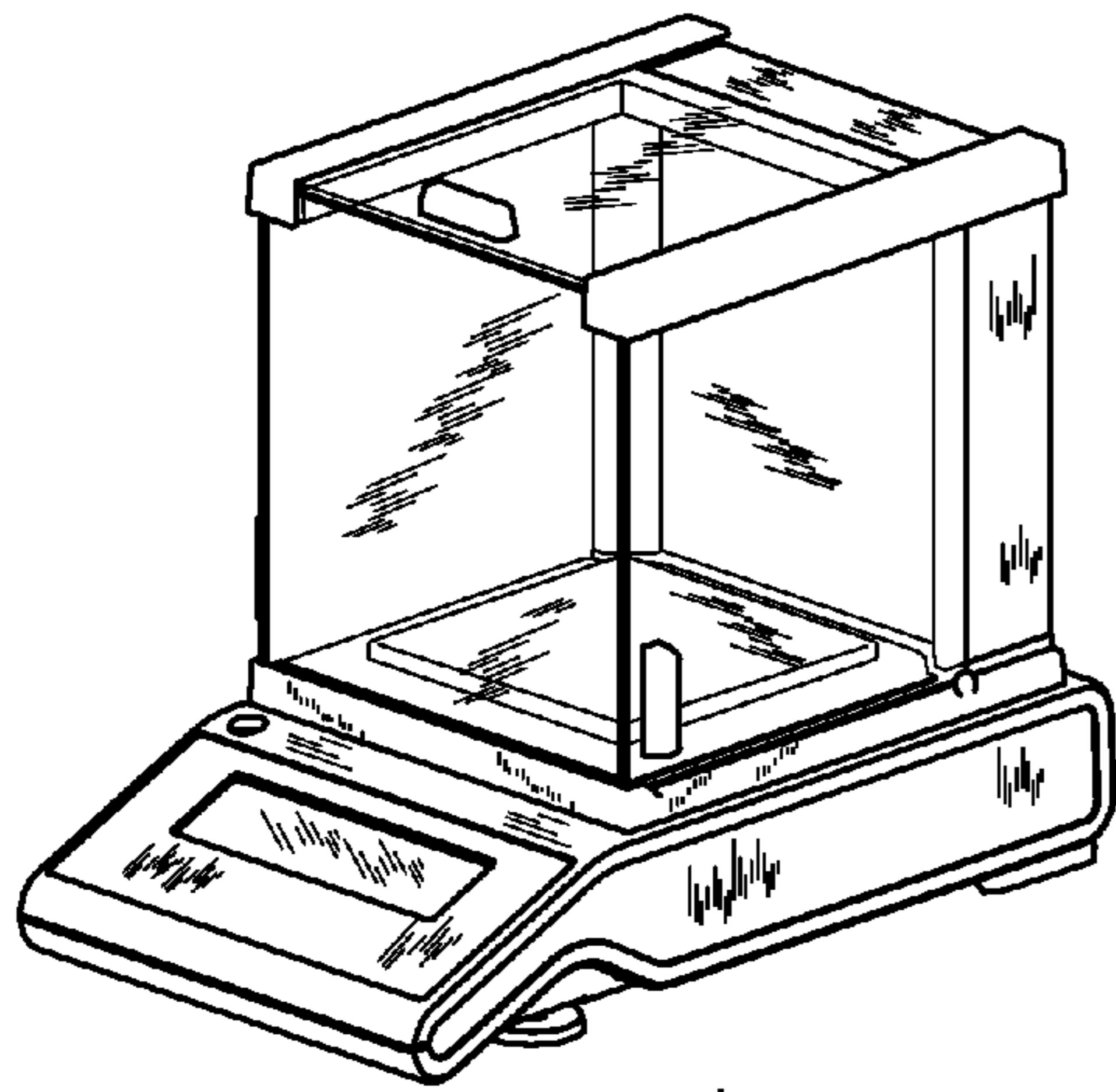


Fig. 7

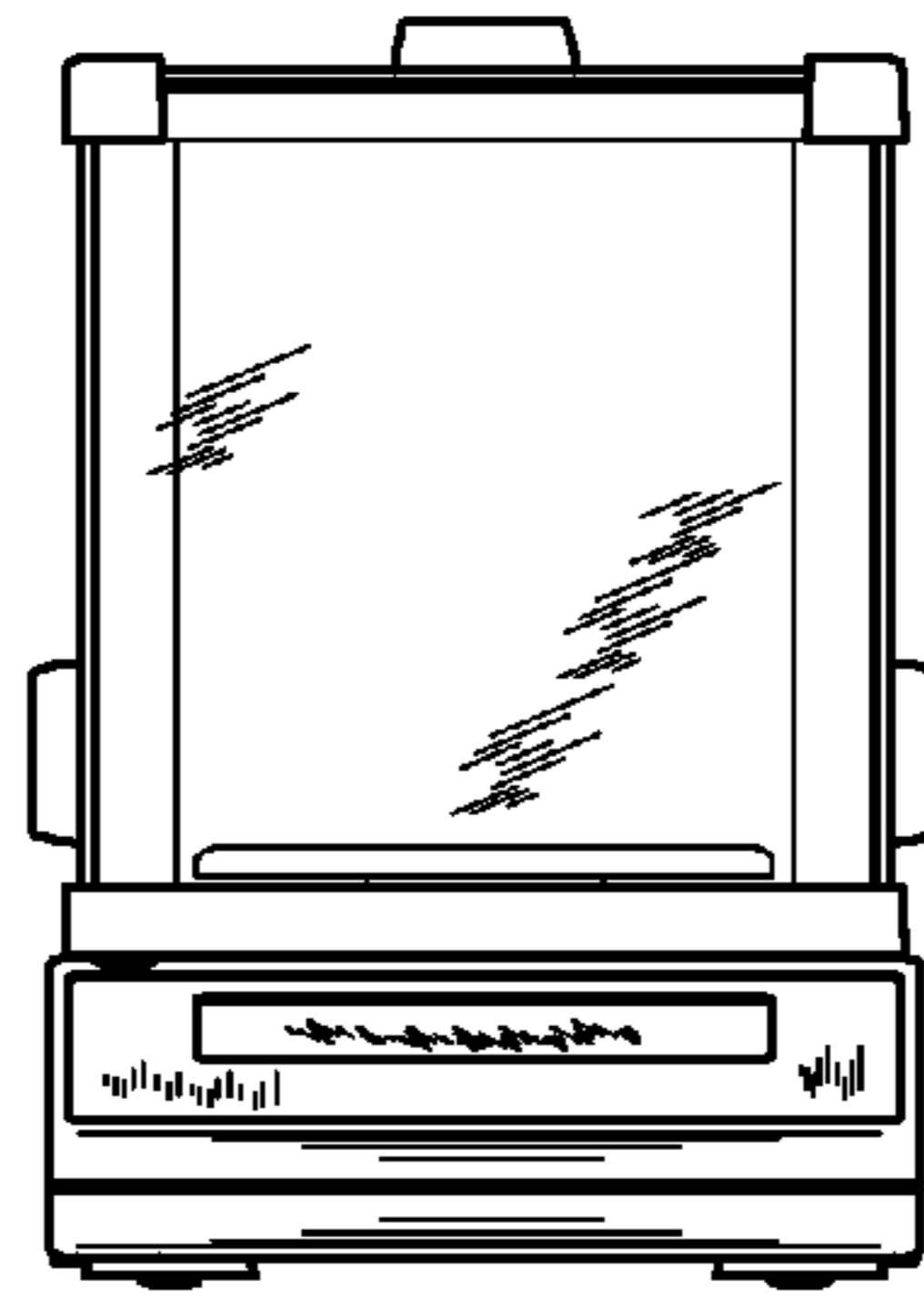


Fig. 9

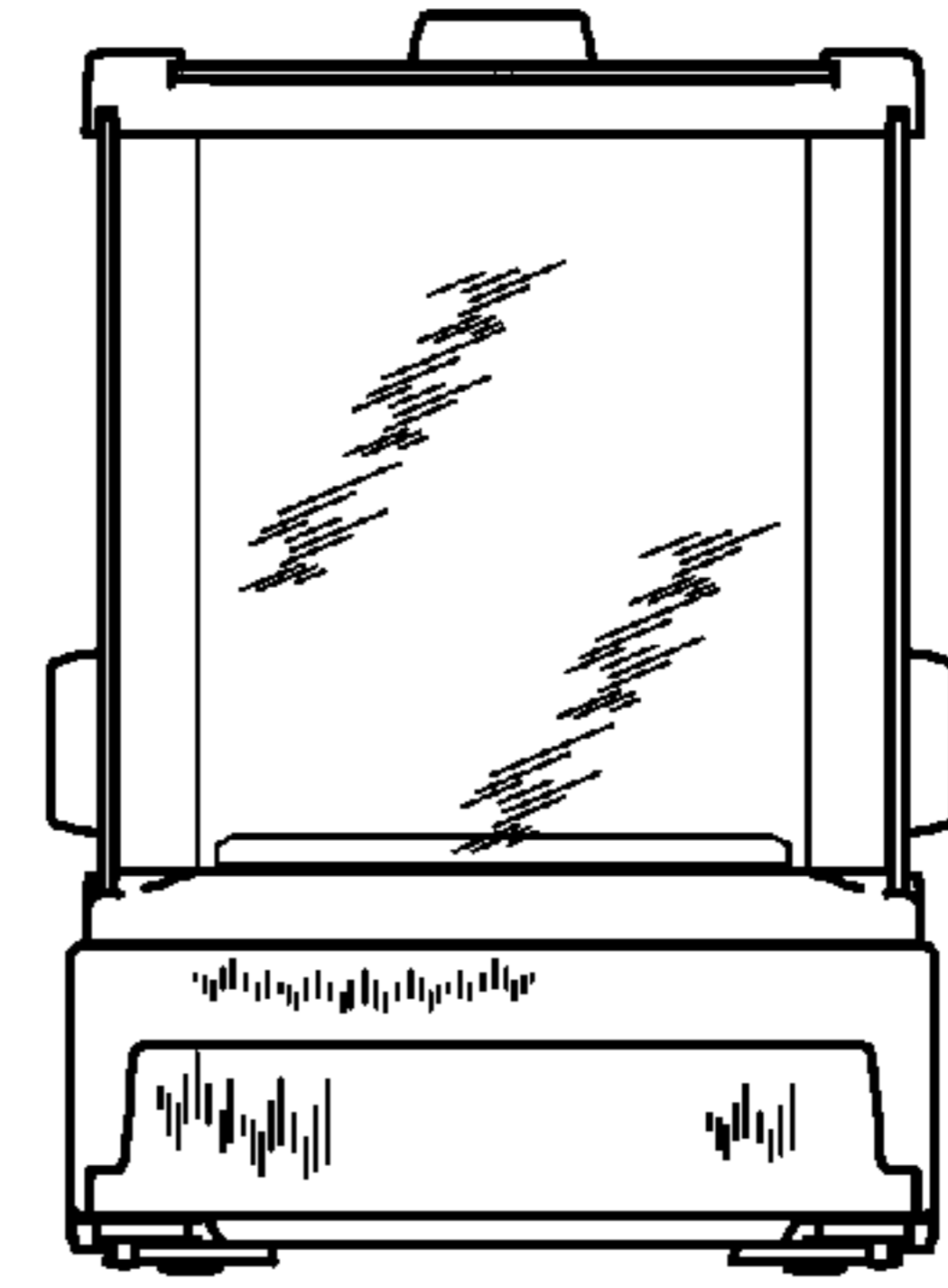


Fig. 10

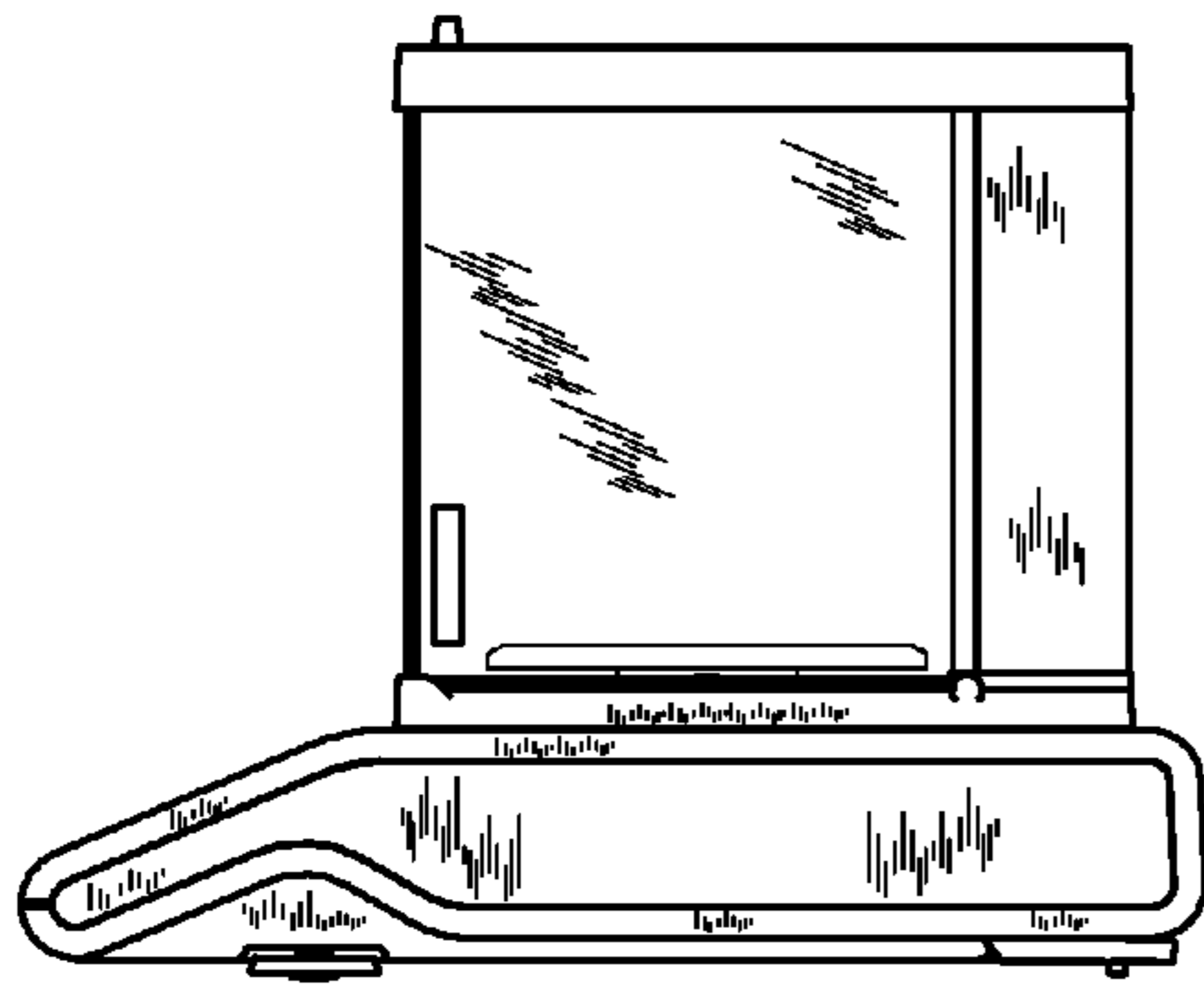


Fig. 8

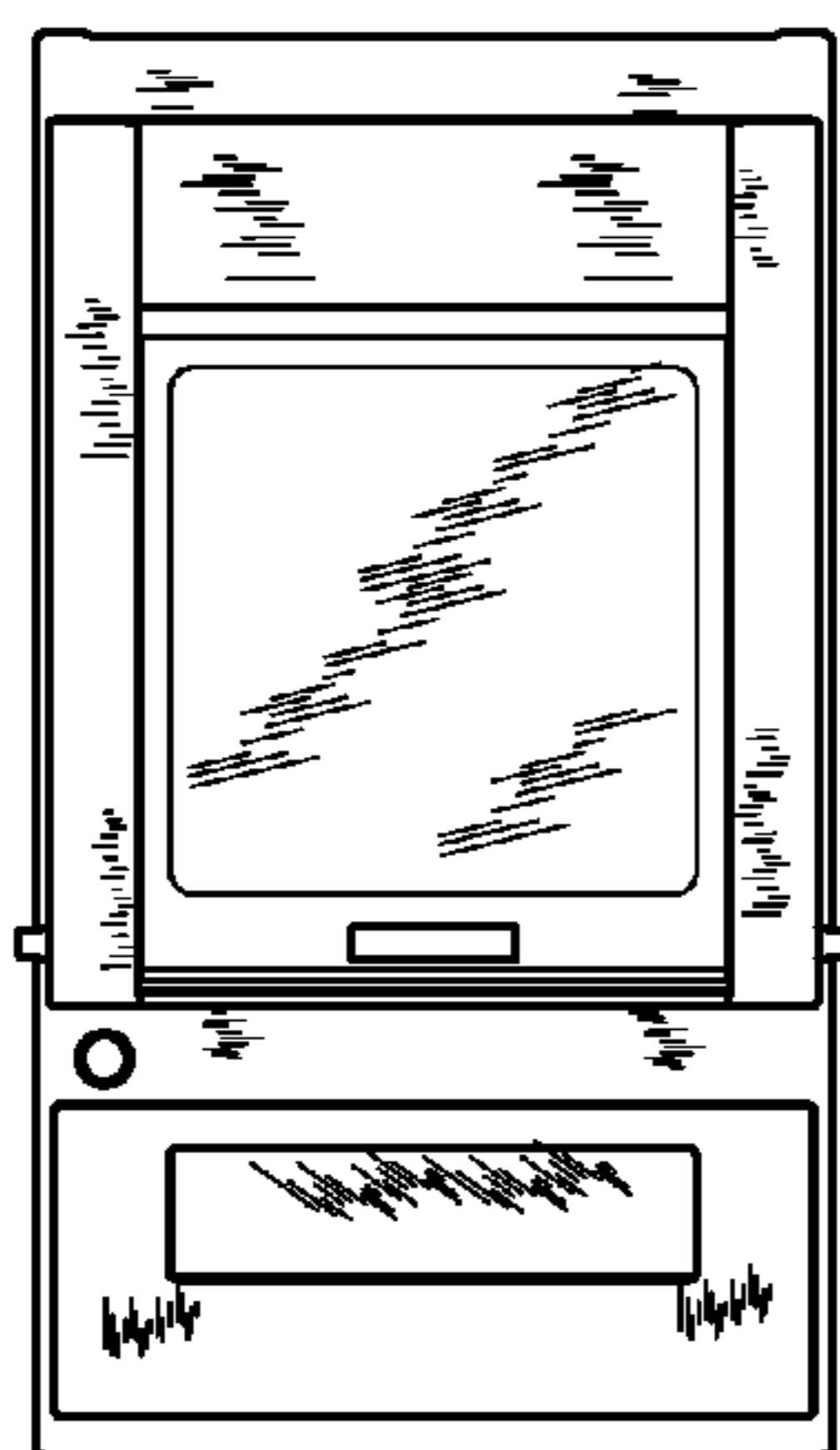


Fig. 11

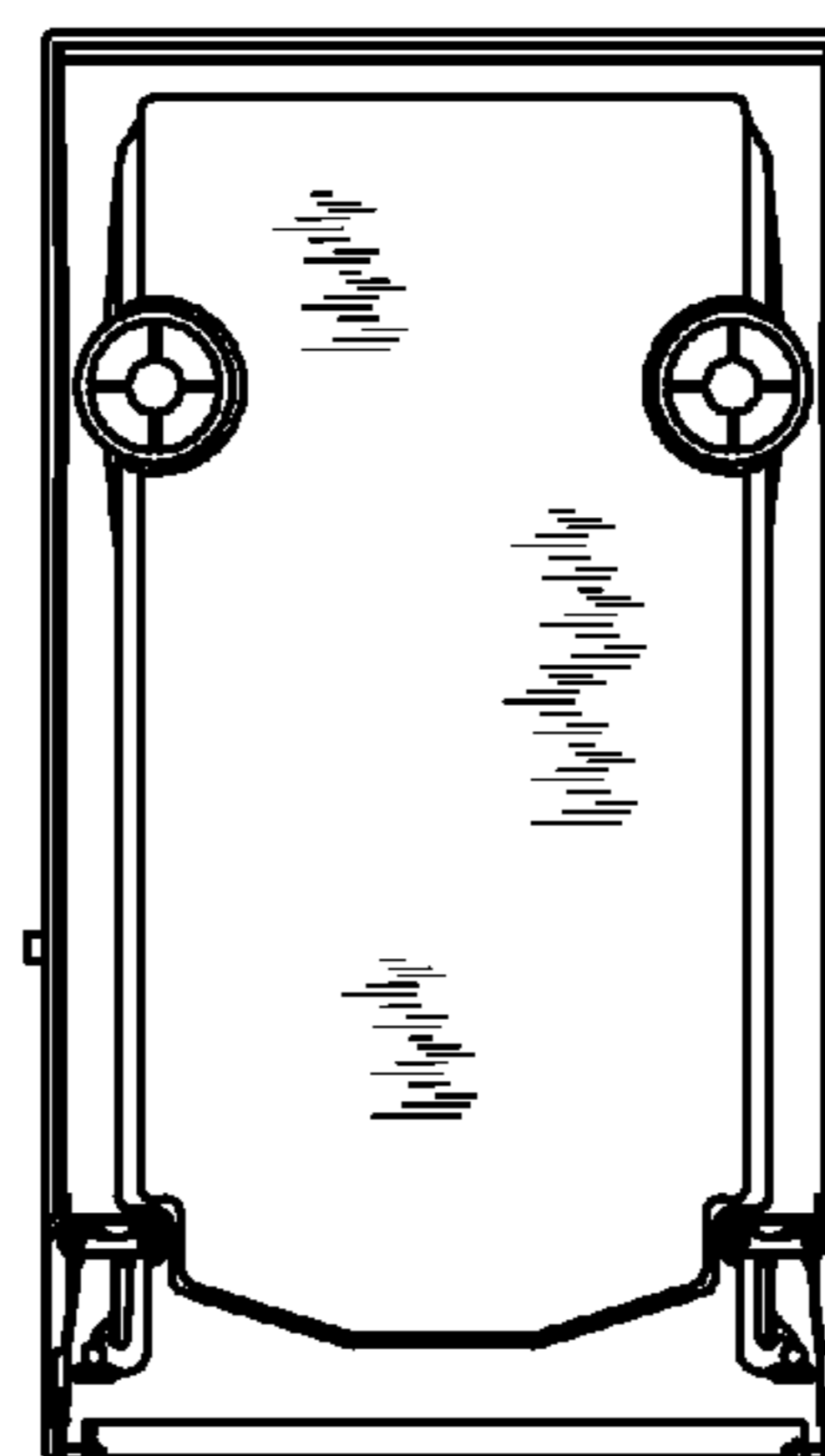


Fig. 12