



US00D587607S

(12) **United States Design Patent**
Oas

(10) **Patent No.:** **US D587,607 S**
(45) **Date of Patent:** **** Mar. 3, 2009**

(54) **PEDOMETER**

D569,745 S * 5/2008 Bhavnani D10/41

(76) Inventor: **Daniel Oas**, 6250 N. Irwindale Ave.,
Irwindale, CA (US) 91702

* cited by examiner

Primary Examiner—Antoine D Davis
(74) *Attorney, Agent, or Firm*—Edgar W. Averill, Jr.; Kenneth
L. Green

(**) Term: **14 Years**

(21) Appl. No.: **29/308,028**

(57) **CLAIM**

(22) Filed: **May 23, 2008**

The ornamental design for a pedometer.

(51) **LOC (9) Cl.** **10-04**

(52) **U.S. Cl.** **D10/70**

(58) **Field of Classification Search** D10/70;
235/105; 377/5, 24.2, 26; 73/514.33, 514.34;
702/155, 160, 176, 78, 79, 82, 91, 92-95,
702/104, 116, 141, 150, 151, 154; 324/522
See application file for complete search history.

DESCRIPTION

FIG. 1 is a perspective view showing the front, top and left side of the pedometer showing my new design.

FIG. 2 is a front view thereof.

FIG. 3 is a left side view thereof.

FIG. 4 is a top view thereof.

FIG. 5 is a back view thereof; and,

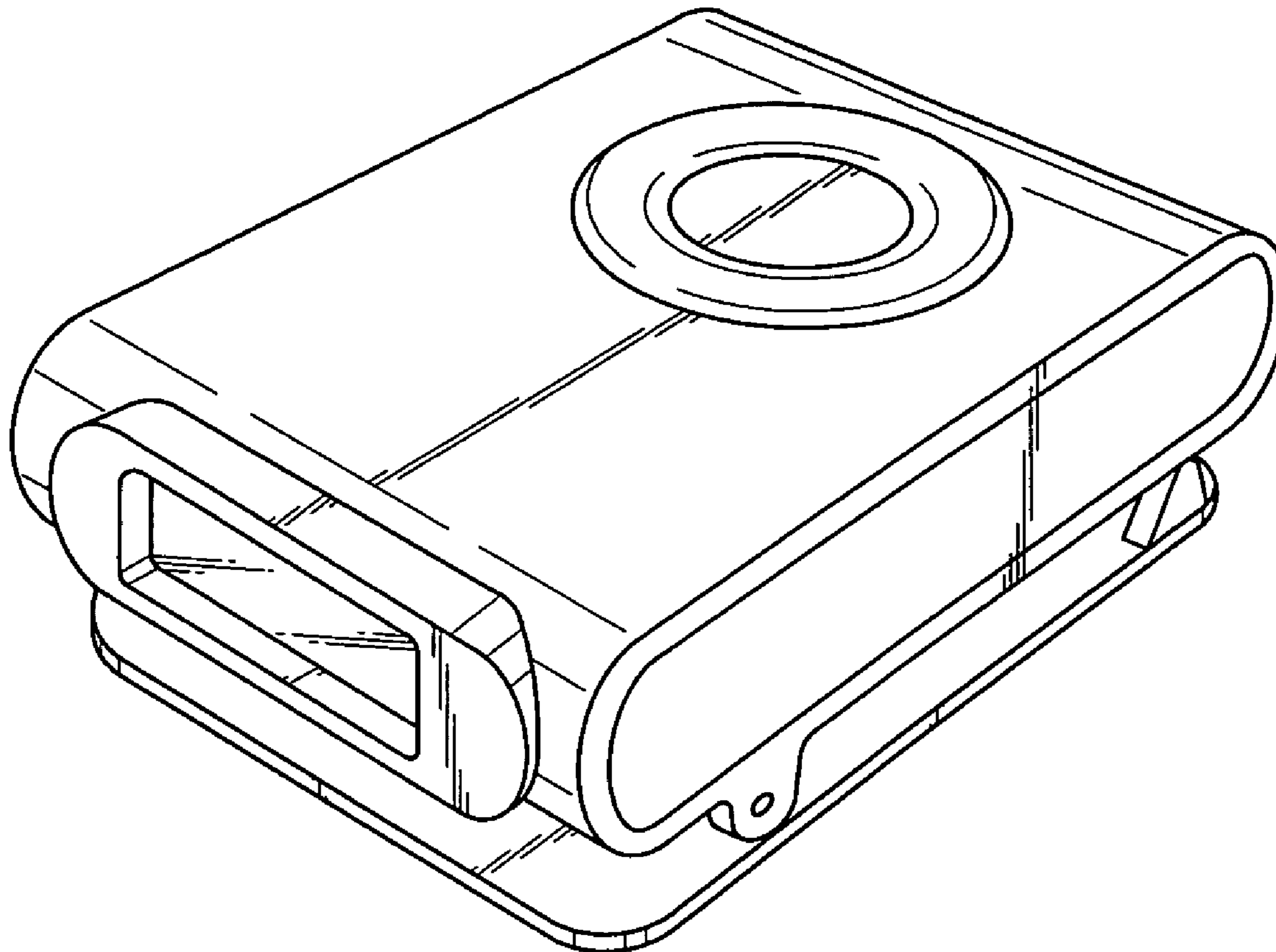
FIG. 6 is a bottom view thereof.

(56) **References Cited**

U.S. PATENT DOCUMENTS

D543,877 S * 6/2007 Bhavnani D10/70
D545,700 S * 7/2007 Man D10/70

1 Claim, 2 Drawing Sheets



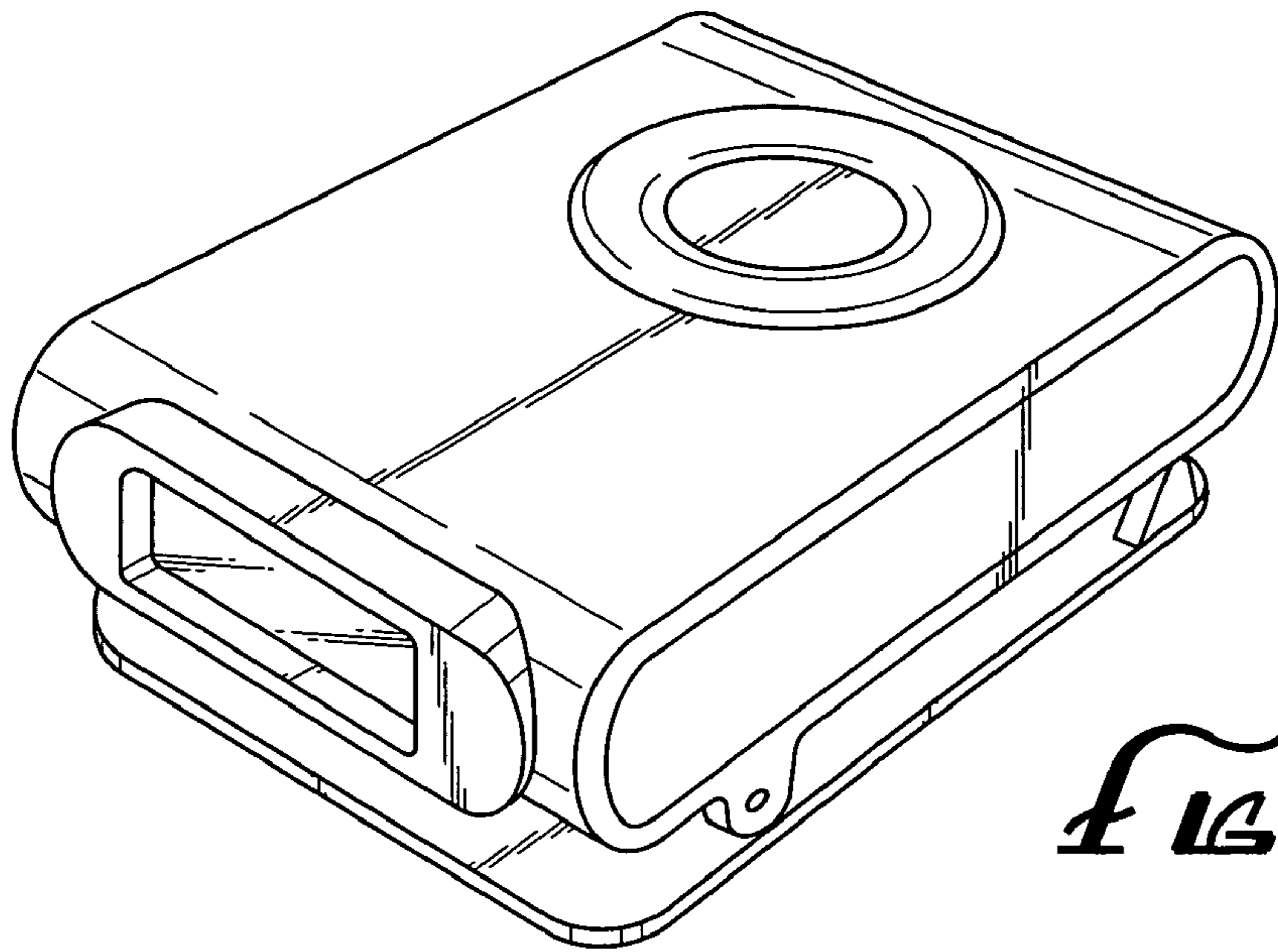


FIG. 1

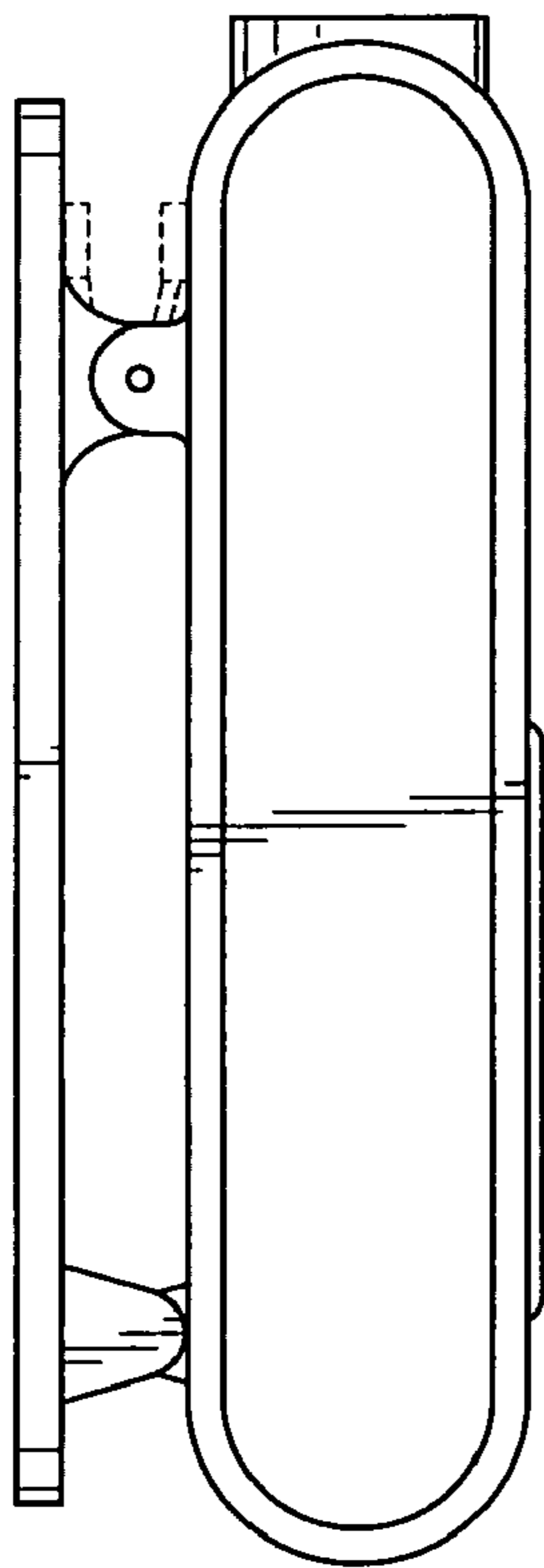


FIG. 3

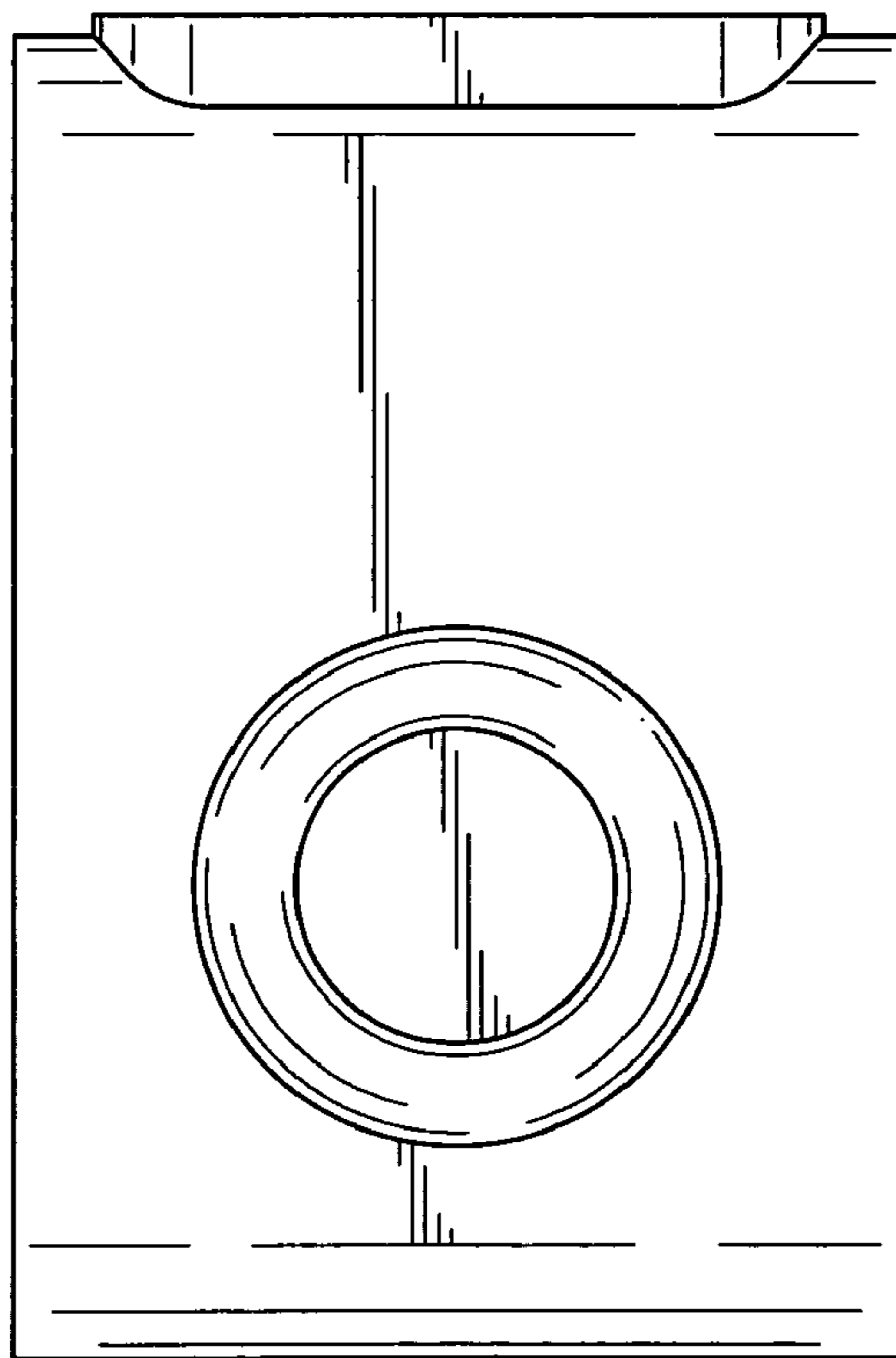


FIG. 2

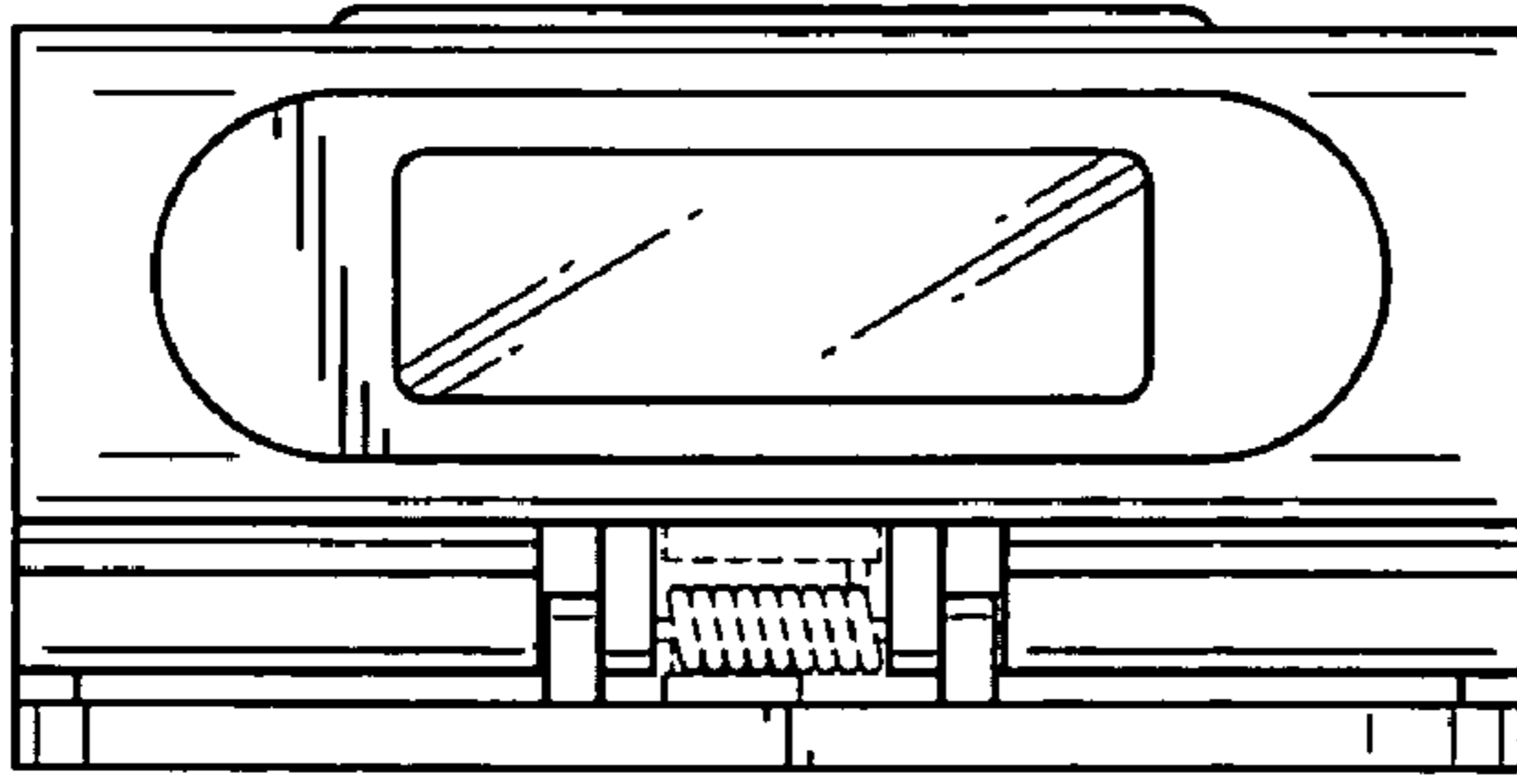


FIG. 4

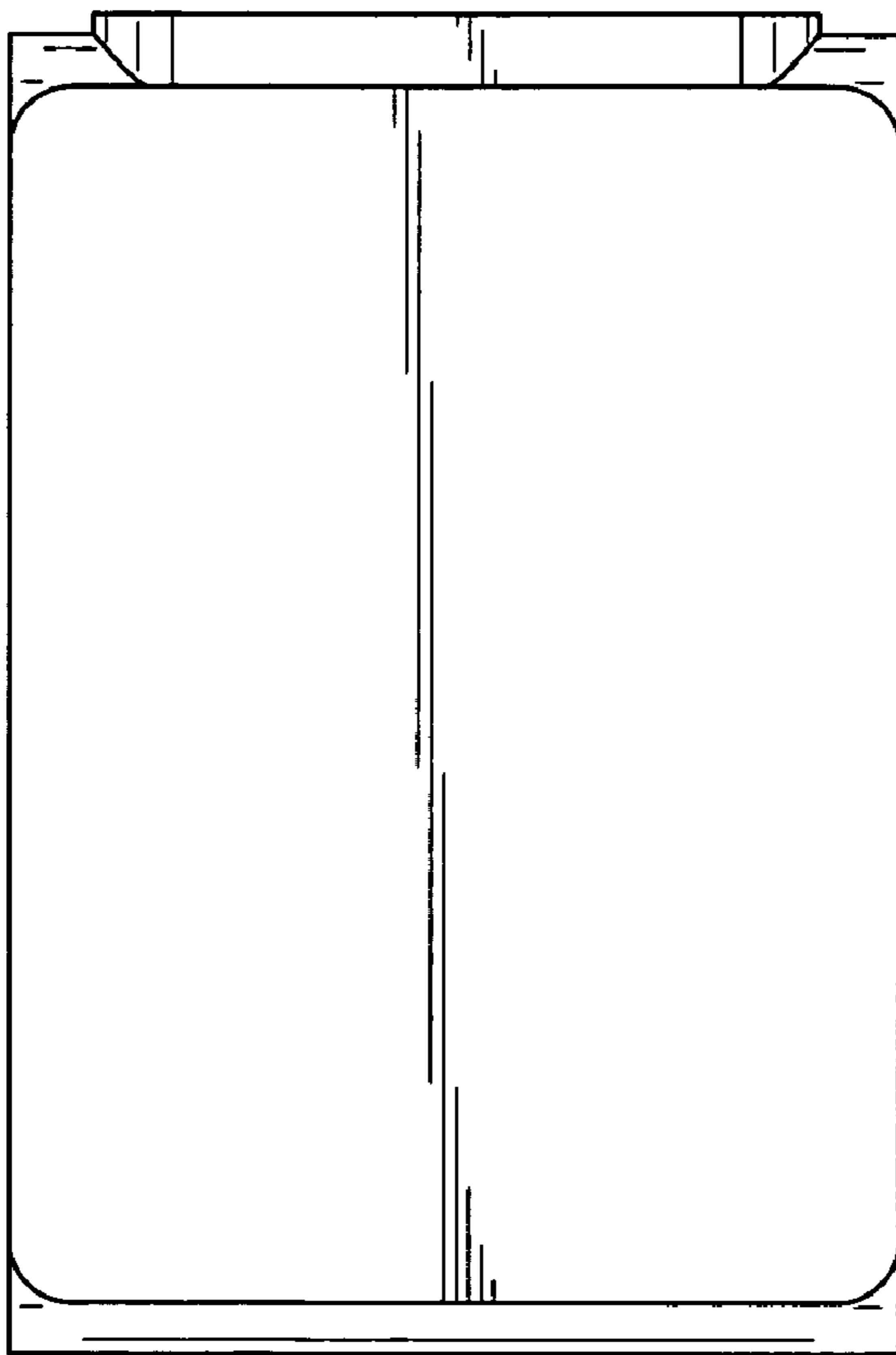


FIG. 5

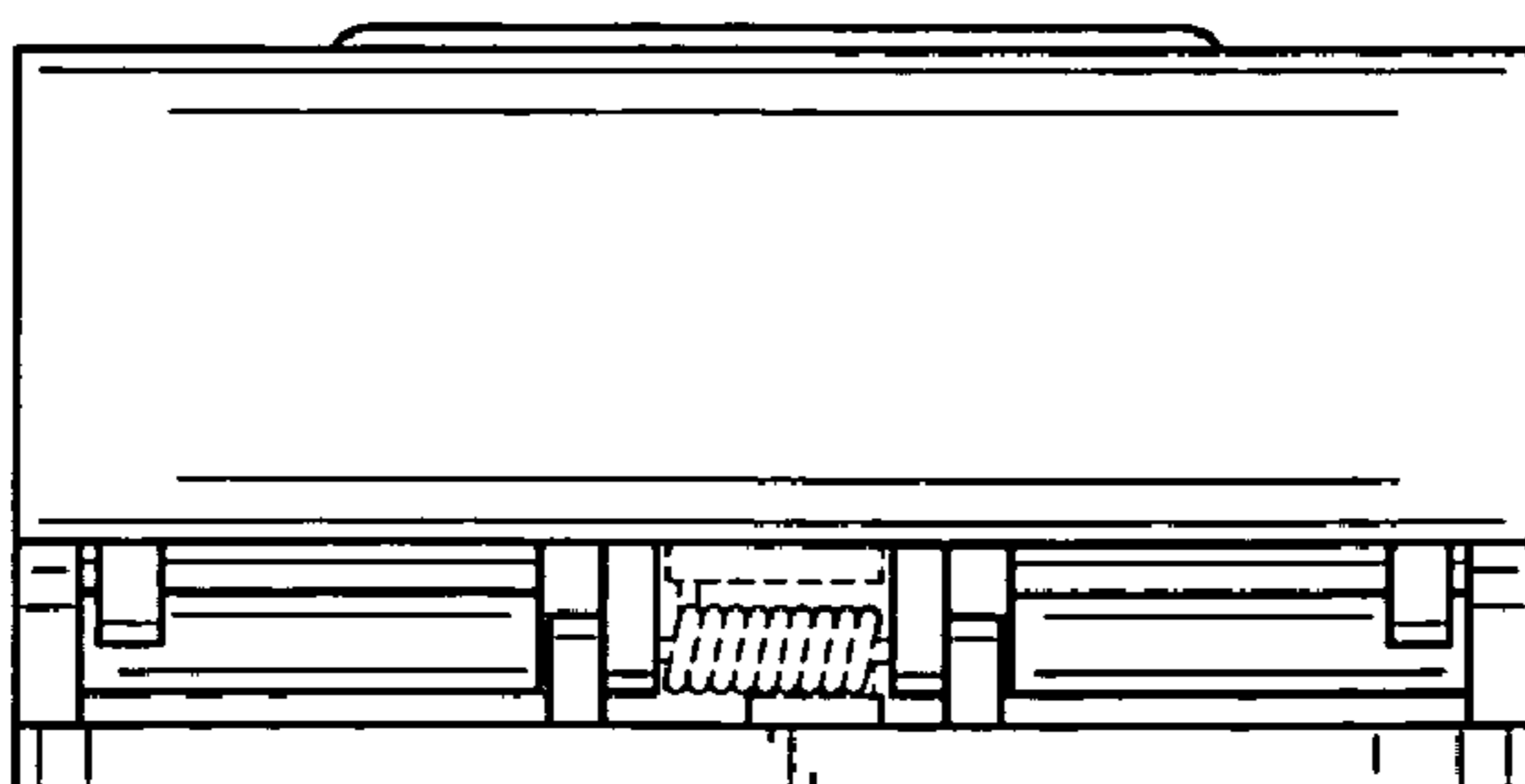


FIG. 6