



US00D587605S

(12) **United States Design Patent**
Nichol

(10) **Patent No.:** **US D587,605 S**

(45) **Date of Patent:** **** *Mar. 3, 2009**

(54) **QUILTER'S CUTTING RULER ANGLE GUIDE**

(76) Inventor: **Claudia D. Nichol**, 30766 Mainmast Dr.,
Agoura Hills, CA (US) 91301

(*) Notice: This patent is subject to a terminal disclaimer.

(**) Term: **14 Years**

(21) Appl. No.: **29/306,353**

(22) Filed: **Apr. 8, 2008**

(51) **LOC (9) Cl.** **10-04**

(52) **U.S. Cl.** **D10/64; D10/65**

(58) **Field of Classification Search** D10/64-65;
33/451, 452, 471, 465, 424-425, 418, 495-497,
33/483, 494, 534, 566, 562-565, 1 B, 1 AP,
33/1 N, 1 F

See application file for complete search history.

(56) **References Cited**

U.S. PATENT DOCUMENTS

- 3,766,654 A * 10/1973 Canton 33/565
- 4,538,352 A * 9/1985 Frith 33/1 B
- D311,873 S 11/1990 Arend
- 6,754,972 B2 * 6/2004 Donnellan 33/526
- 7,032,319 B2 4/2006 Ollgaard et al.
- 7,059,227 B2 6/2006 Mori et al.

- 7,080,459 B1 7/2006 Khan
- 7,082,692 B2 8/2006 Shapiro
- 7,100,295 B1 9/2006 Chang
- 7,107,693 B2 * 9/2006 Nesch et al. 33/1 N
- 7,174,641 B2 2/2007 Kondo et al.
- 7,188,427 B2 3/2007 Johnson
- 7,320,566 B2 1/2008 Osawa et al.
- 7,383,640 B2 * 6/2008 Barry 33/562

* cited by examiner

Primary Examiner—Antoine D Davis

(74) *Attorney, Agent, or Firm*—Kelly Lowry & Kelley LLP

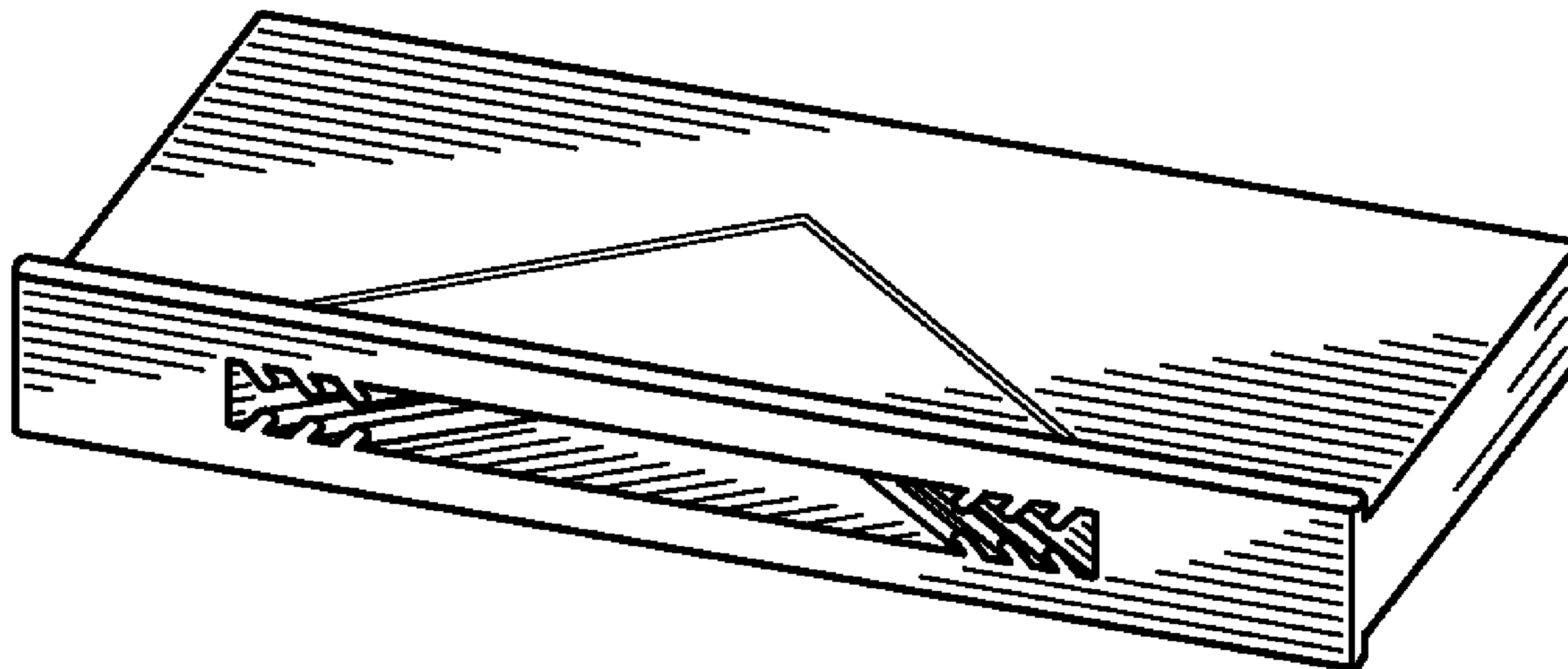
(57) **CLAIM**

The ornamental design for a quilter's cutting ruler angle guide, as shown.

DESCRIPTION

FIG. 1 is a front, top and left-side perspective view of a quilter's cutting ruler angle guide embodying my new design; FIG. 2 is a top plan view thereof; FIG. 3 is a bottom plan view thereof; FIG. 4 is a left-side elevational view thereof; FIG. 5 is a right-side elevational view thereof; FIG. 6 is a front elevational view thereof; and, FIG. 7 is a rear elevational view thereof.

1 Claim, 1 Drawing Sheet



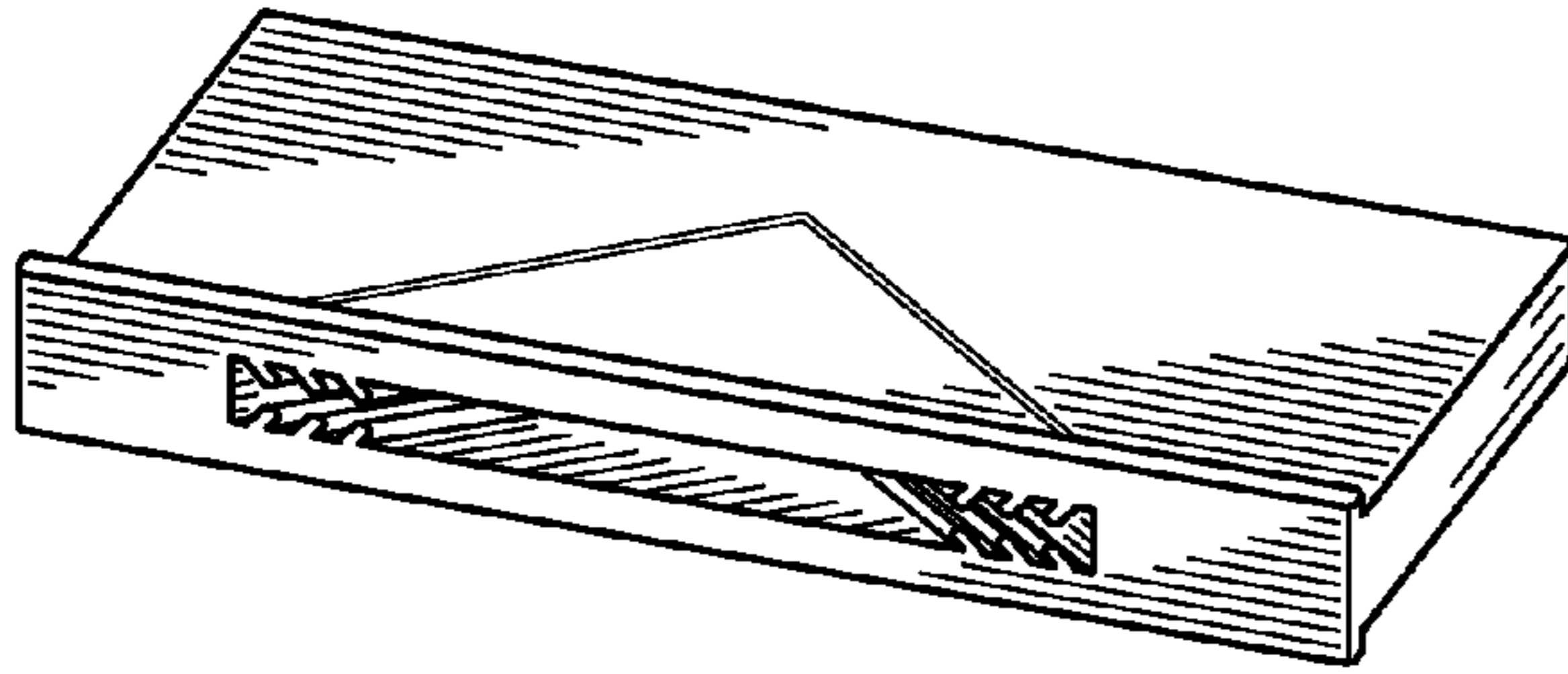


FIG. 1

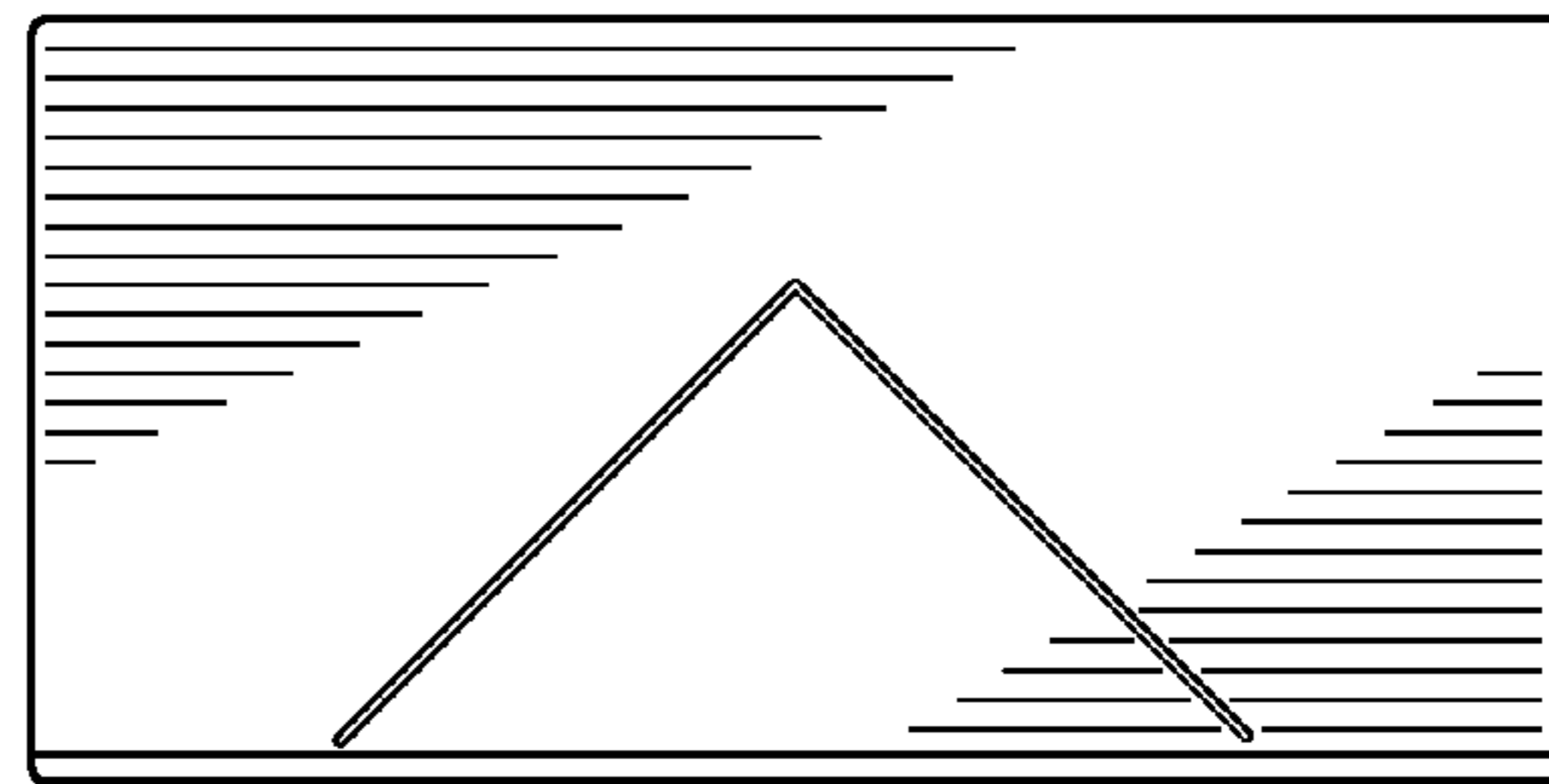


FIG. 2

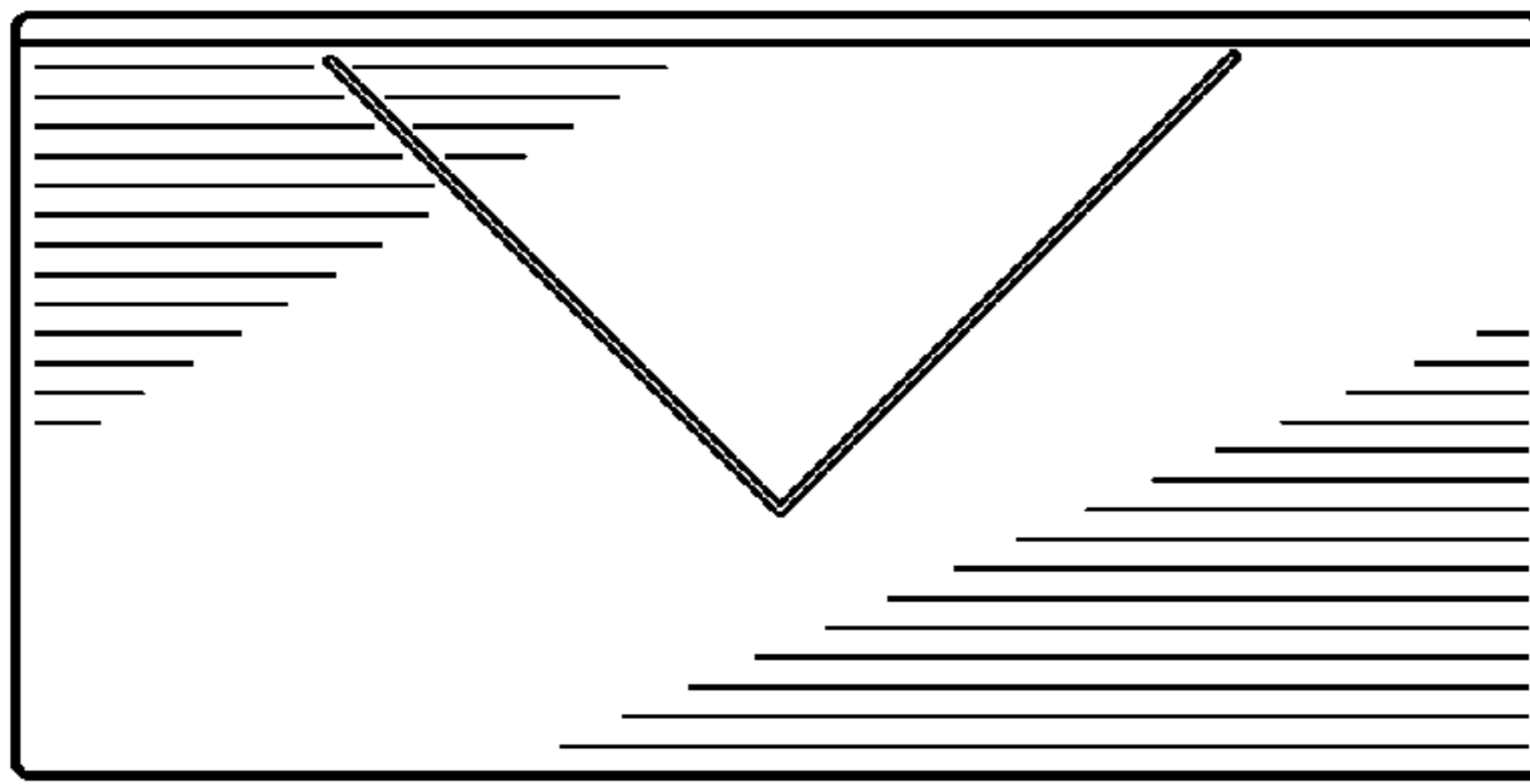


FIG. 3

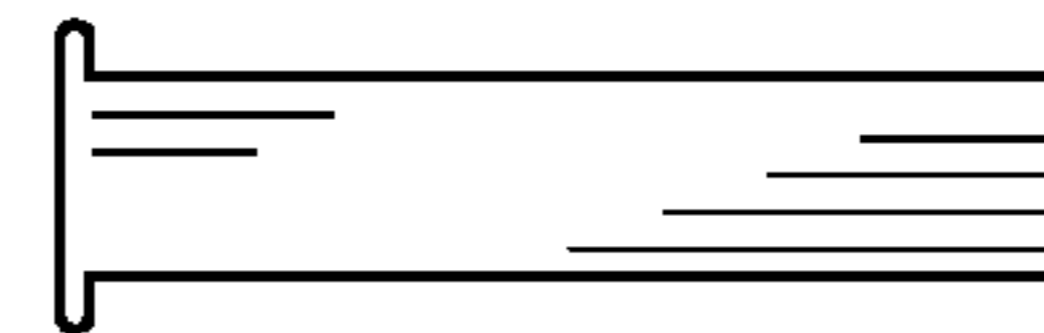


FIG. 4

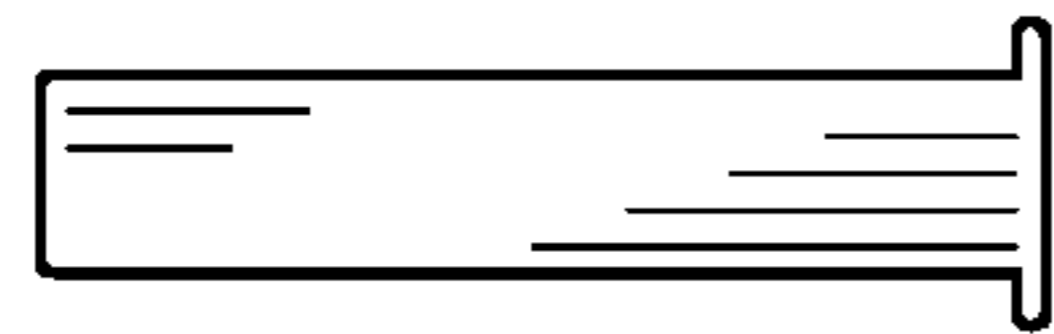


FIG. 5



FIG. 6

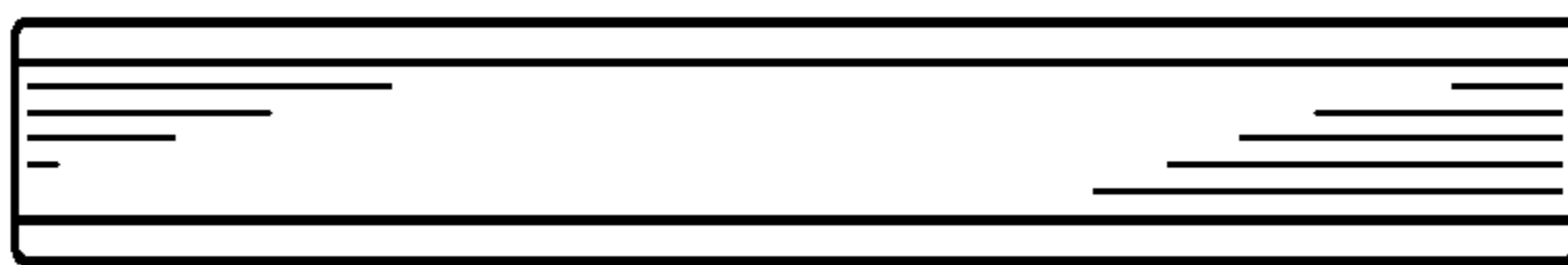


FIG. 7