



US00D587604S

(12) **United States Design Patent**
Sladick

(10) **Patent No.:** **US D587,604 S**
(45) **Date of Patent:** **** Mar. 3, 2009**

(54) **LOW FLOW WATER TEMPERATURE TESTER**

(75) Inventor: **Abbie J. W. Sladick**, Naples, FL (US)

(73) Assignee: **Great Grabz, LLC**, Naples, FL (US)

(**) Term: **14 Years**

(21) Appl. No.: **29/318,081**

(22) Filed: **May 13, 2008**

(51) **LOC (9) Cl.** **10-04**

(52) **U.S. Cl.** **D10/57**

(58) **Field of Classification Search** D10/57-58;
340/623, 628, 632, 641, 693, 622; 374/132,
374/140-141

See application file for complete search history.

(56) **References Cited**

U.S. PATENT DOCUMENTS

2,847,067	A *	8/1958	Brewer	374/160
D339,535	S *	9/1993	Wilson	D10/57
D523,360	S *	6/2006	Lee	D10/57
D573,043	S *	7/2008	Knight	D10/57

* cited by examiner

Primary Examiner—Antoine D Davis

(74) *Attorney, Agent, or Firm*—Hahn Loeser + Parks LLP;
Scott M. Oldham, Esq.

(57) **CLAIM**

The ornamental design for a low flow water temperature tester, as shown and described.

DESCRIPTION

FIG. 1 is a top view of a low flow water temperature tester, shown with nonclaimed environment.

FIG. 2 is a bottom view of the low flow water temperature tester of FIG. 1.

FIG. 3 is a front view of the low flow water temperature tester of FIG. 1.

FIG. 4 is a left side view of the low flow water temperature tester of FIG. 1, the right side view being a mirror image thereof.

FIG. 5 is a perspective view of the low flow water temperature tester of FIG. 1.

FIG. 6 is a perspective view of the low flow water temperature tester of FIG. 1, shown in a nonclaimed shower environment.

FIG. 7 is a second perspective view of the low flow water temperature tester of FIG. 1, shown in a nonclaimed shower environment.

FIG. 8 is a top view of a second embodiment of a low flow water temperature tester, shown with nonclaimed environment.

FIG. 9 is a bottom view of the low flow water temperature tester of FIG. 8.

FIG. 10 is a front view of the low flow water temperature tester of FIG. 8.

FIG. 11 is a left side view of the low flow water temperature tester of FIG. 8, the right side view being a mirror image thereof.

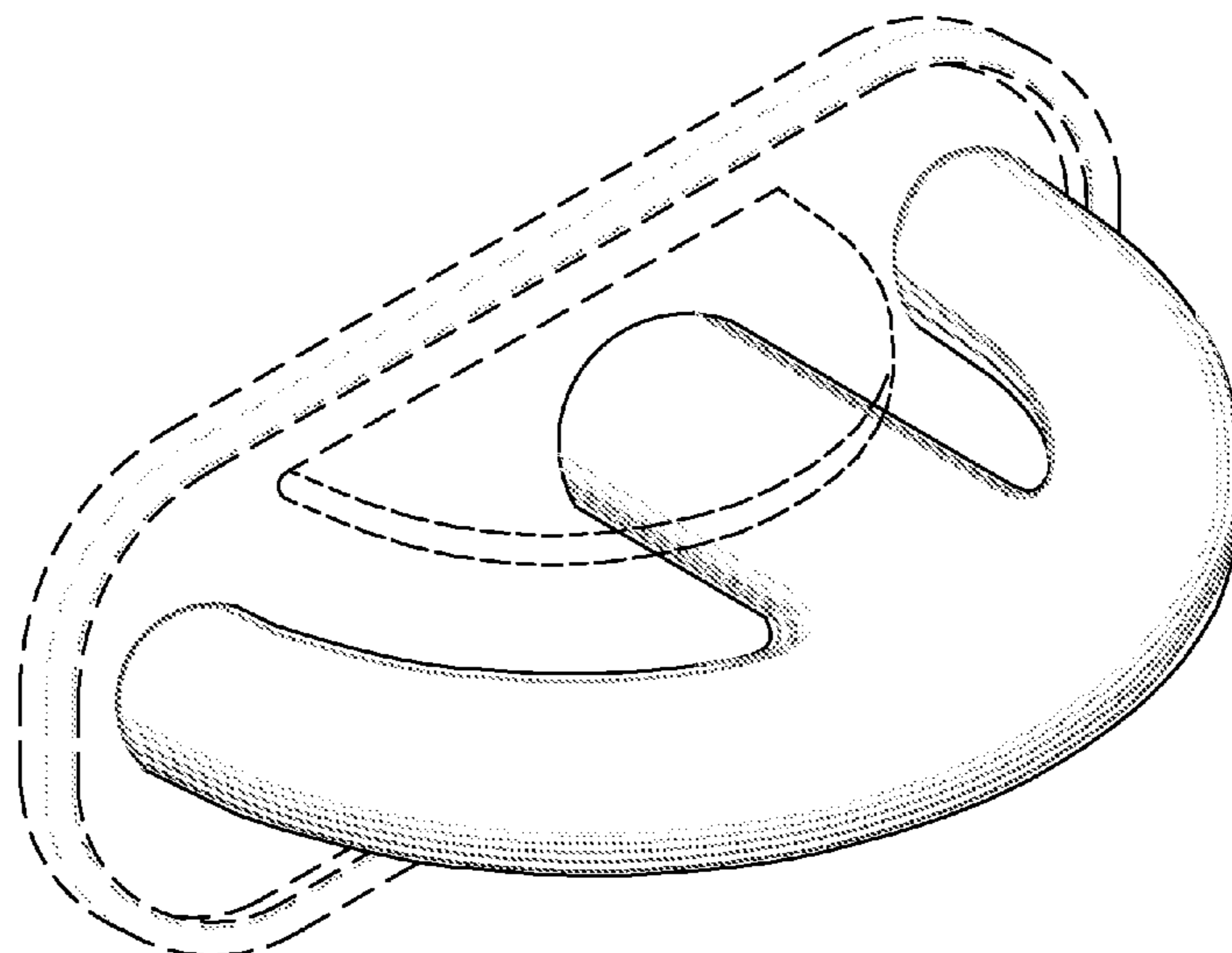
FIG. 12 is a perspective view of the low flow water temperature tester of FIG. 8.

FIG. 13 is a perspective view of the low flow water temperature tester of FIG. 8, shown in a nonclaimed shower environment; and,

FIG. 14 is a second perspective view of the low flow water temperature tester of FIG. 8, shown in a nonclaimed shower environment.

The broken lines shown in the Figures are for illustrative purposes only and form no part of the claimed invention.

1 Claim, 4 Drawing Sheets



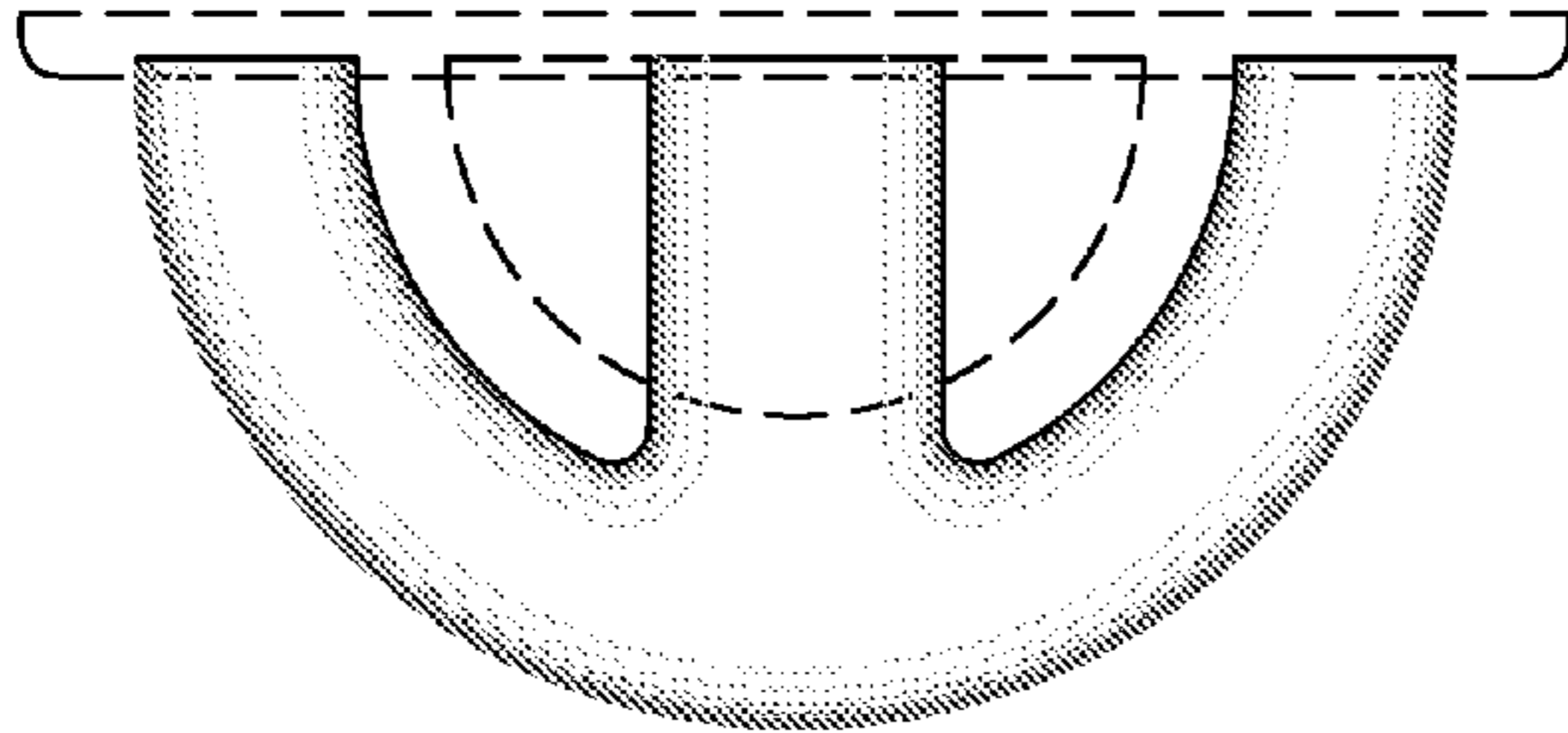


Figure ①

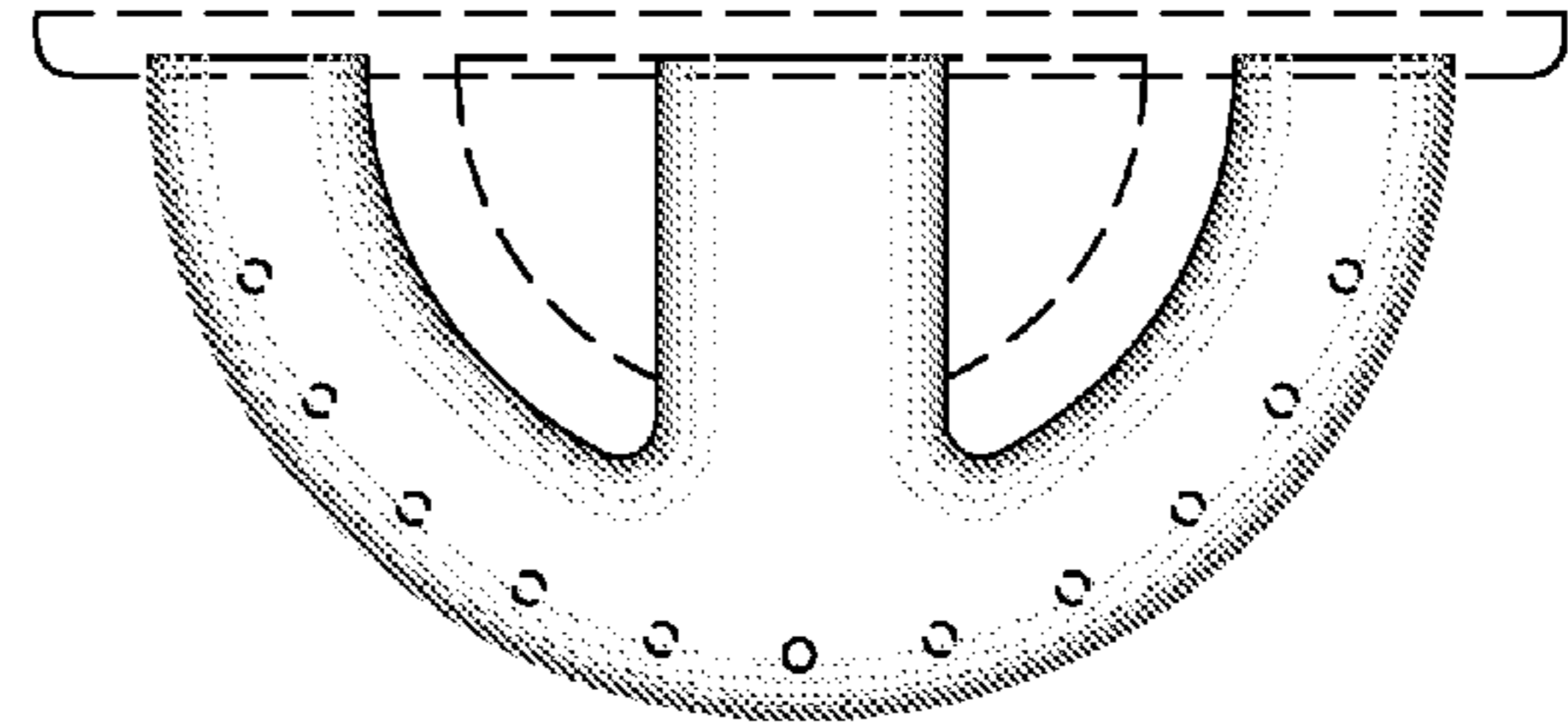


Figure ②

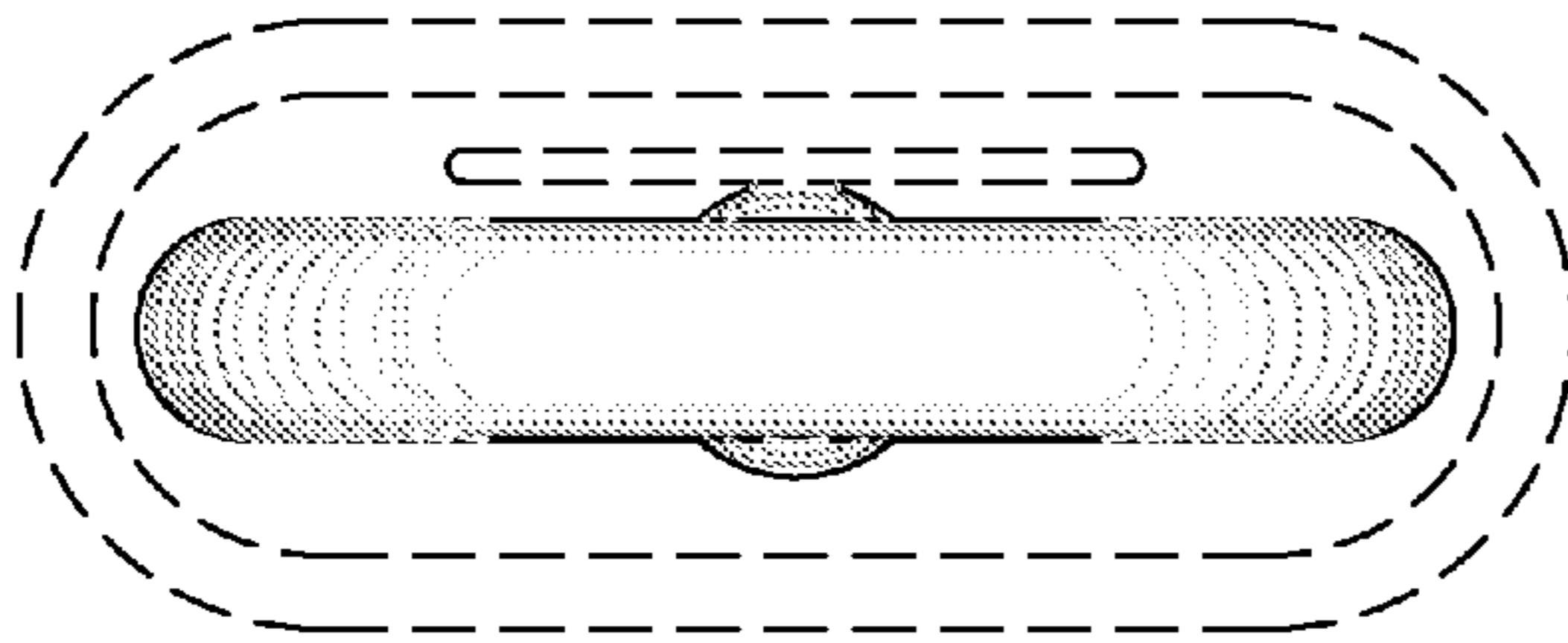


Figure ③

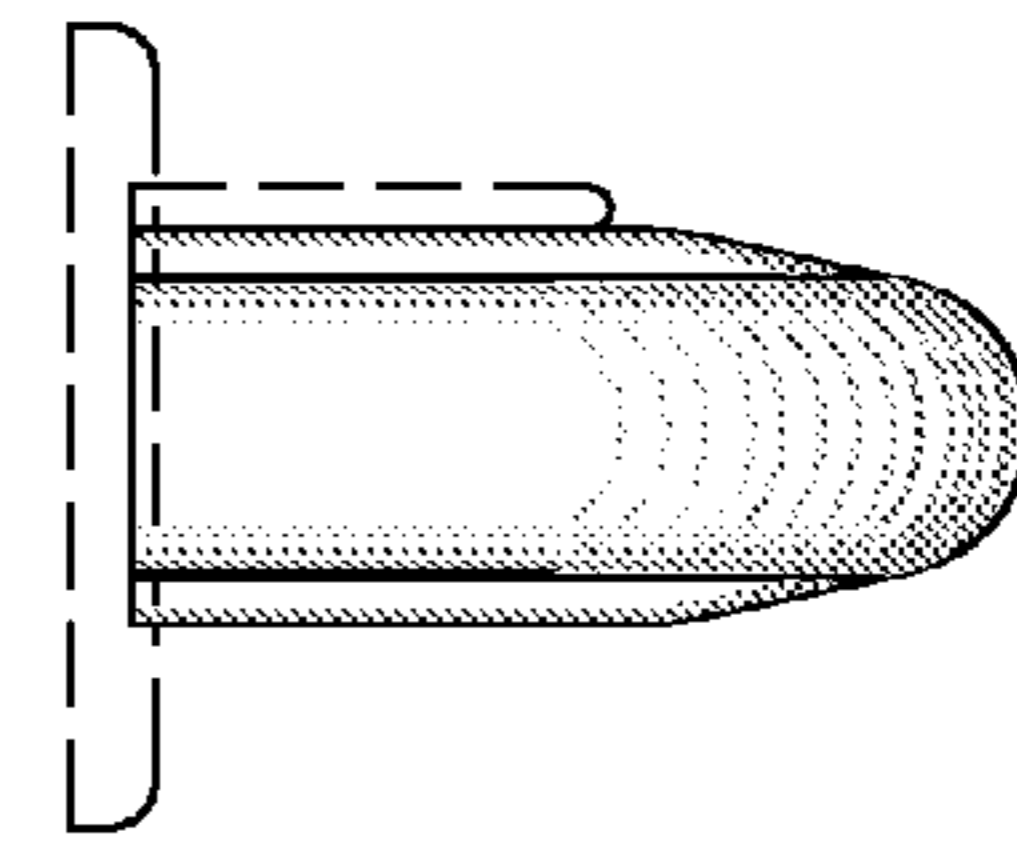


Figure ④

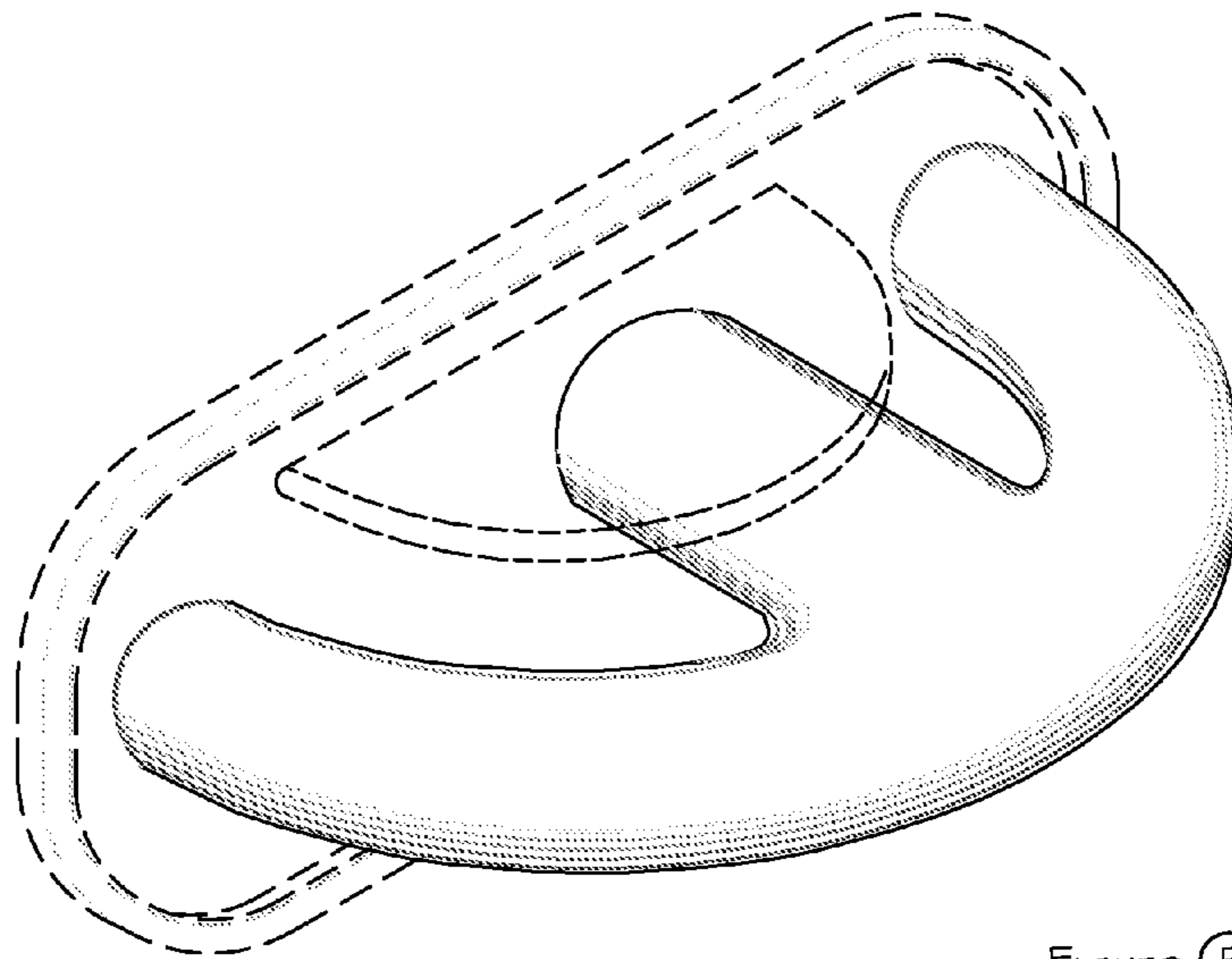


Figure ⑤

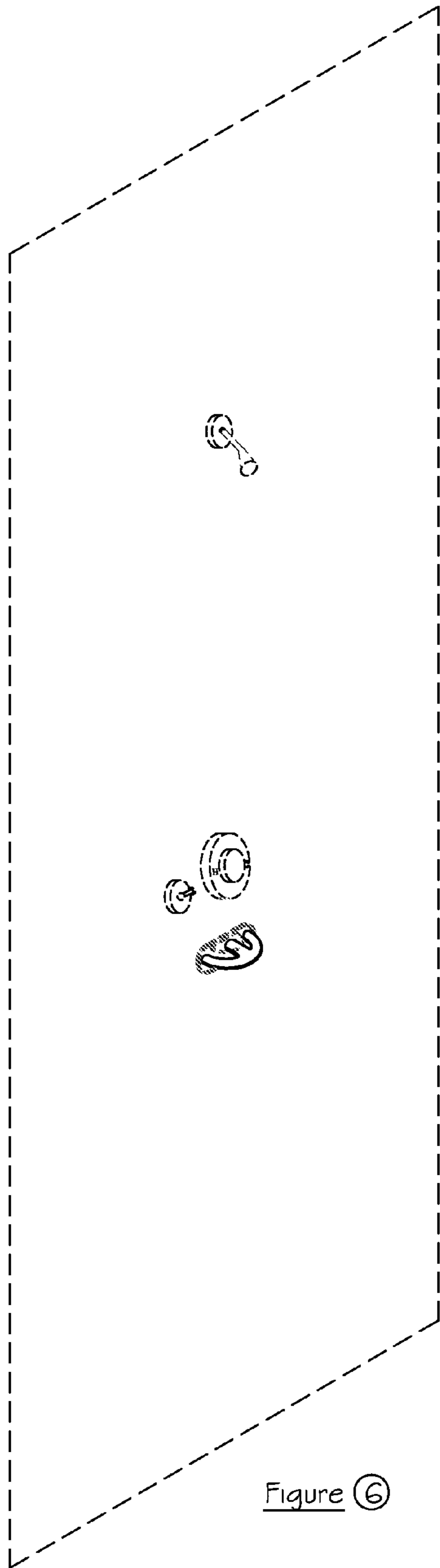


Figure ⑥

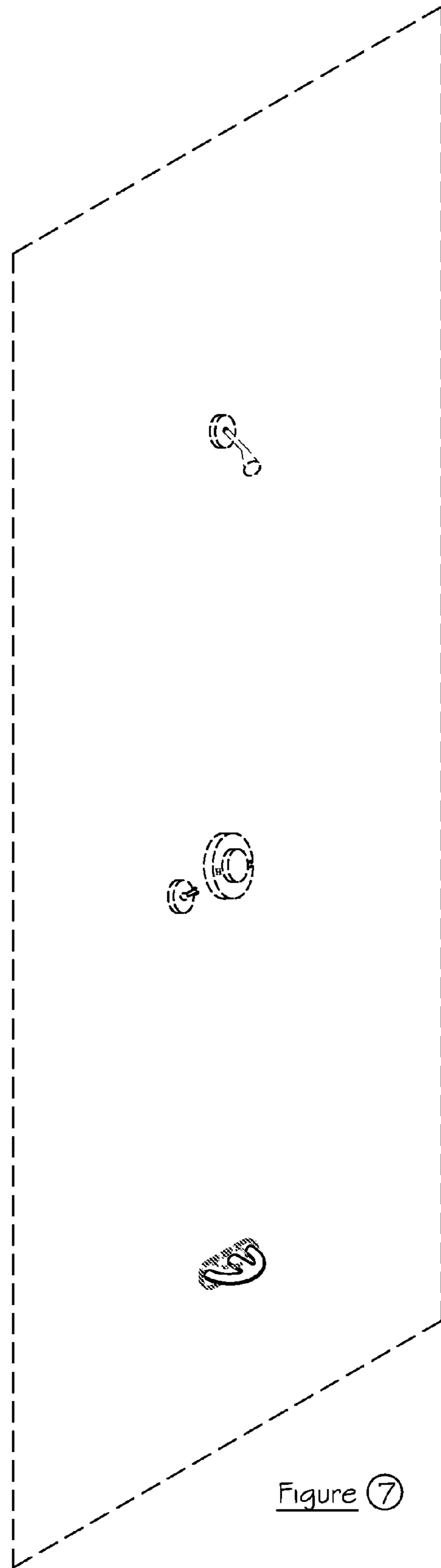


Figure ⑦

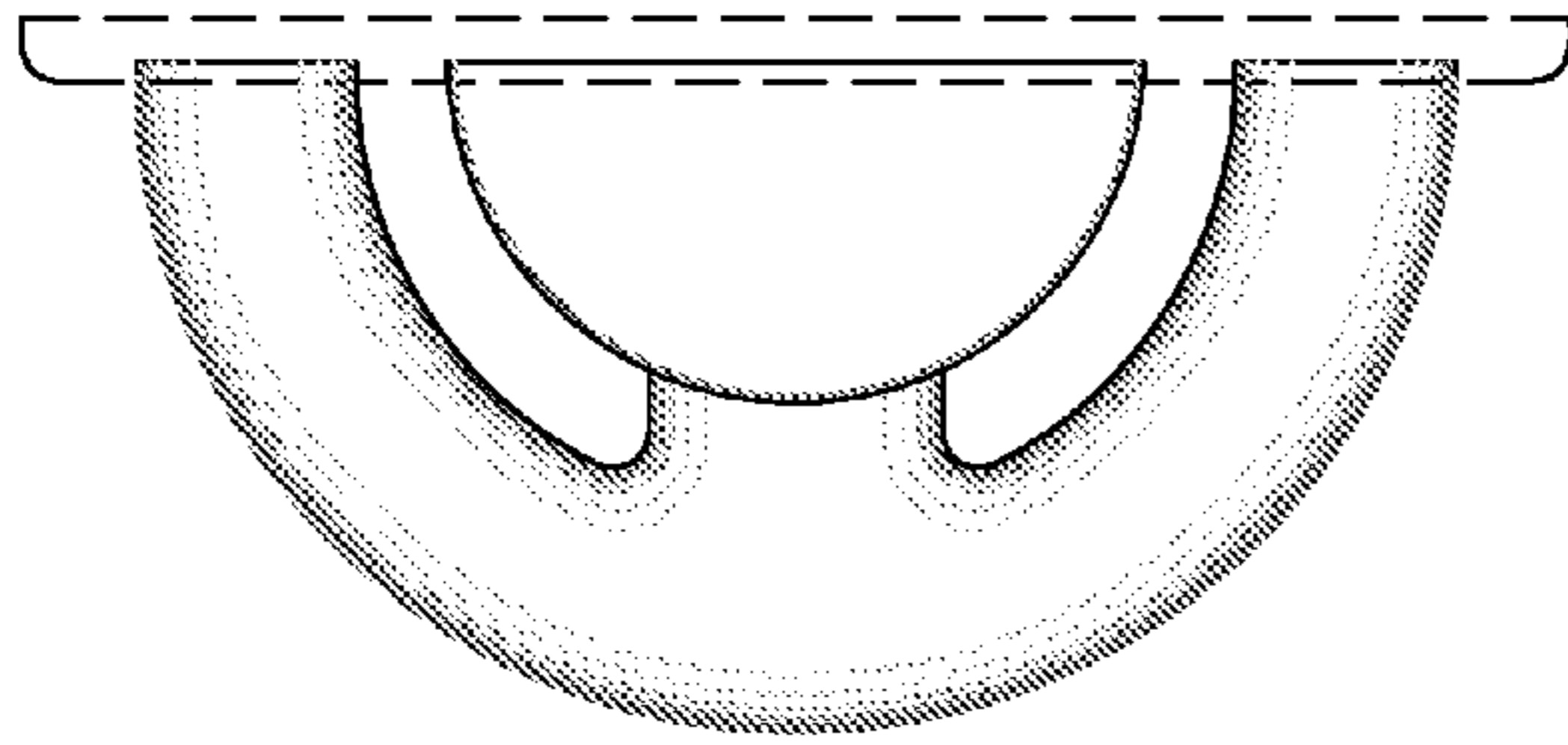


Figure 8

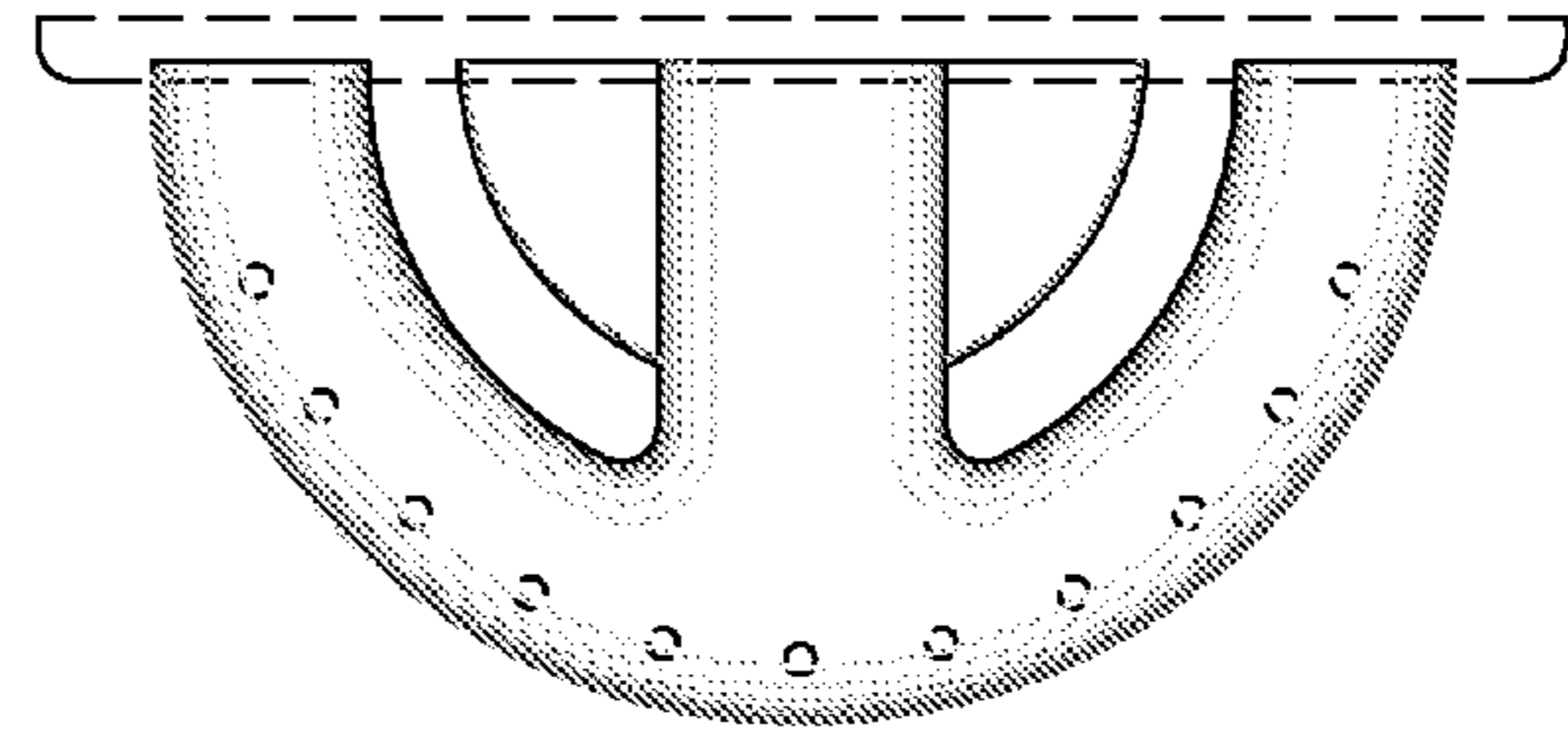


Figure 9

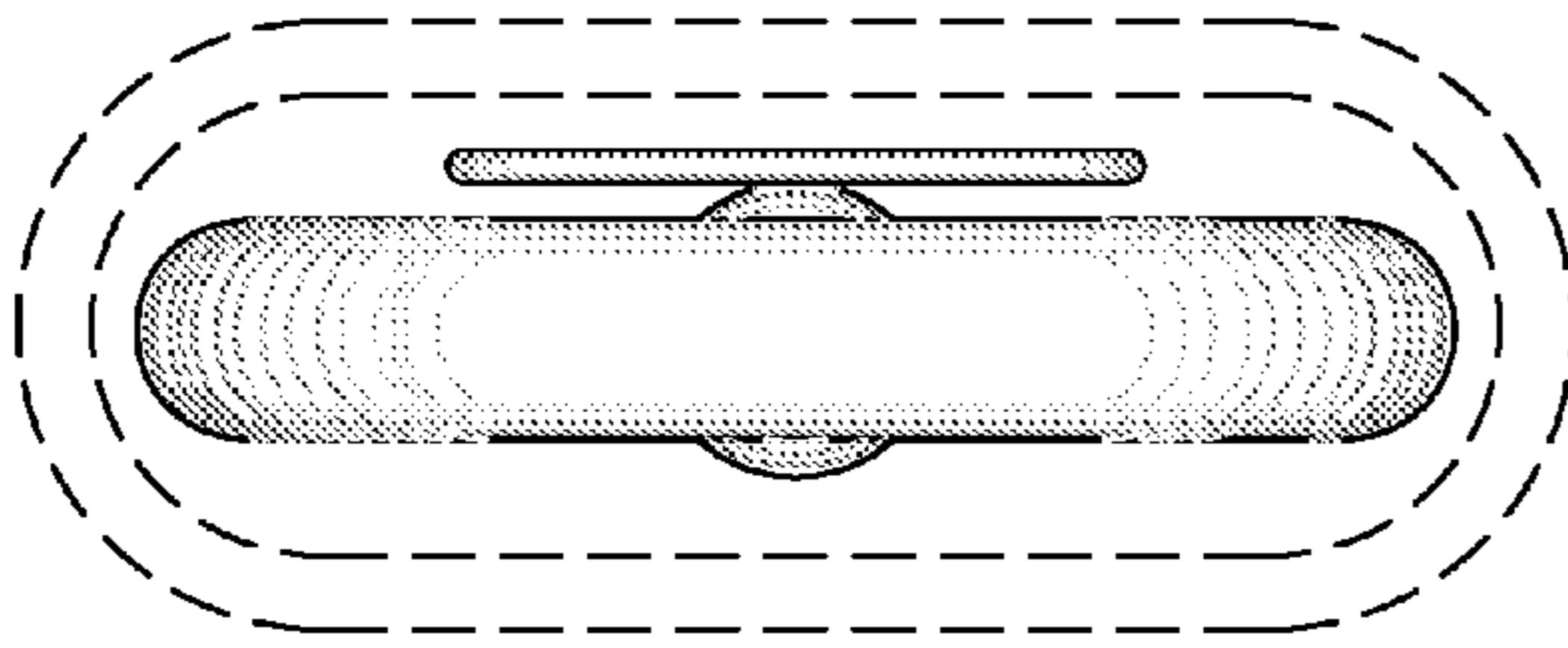


Figure 10

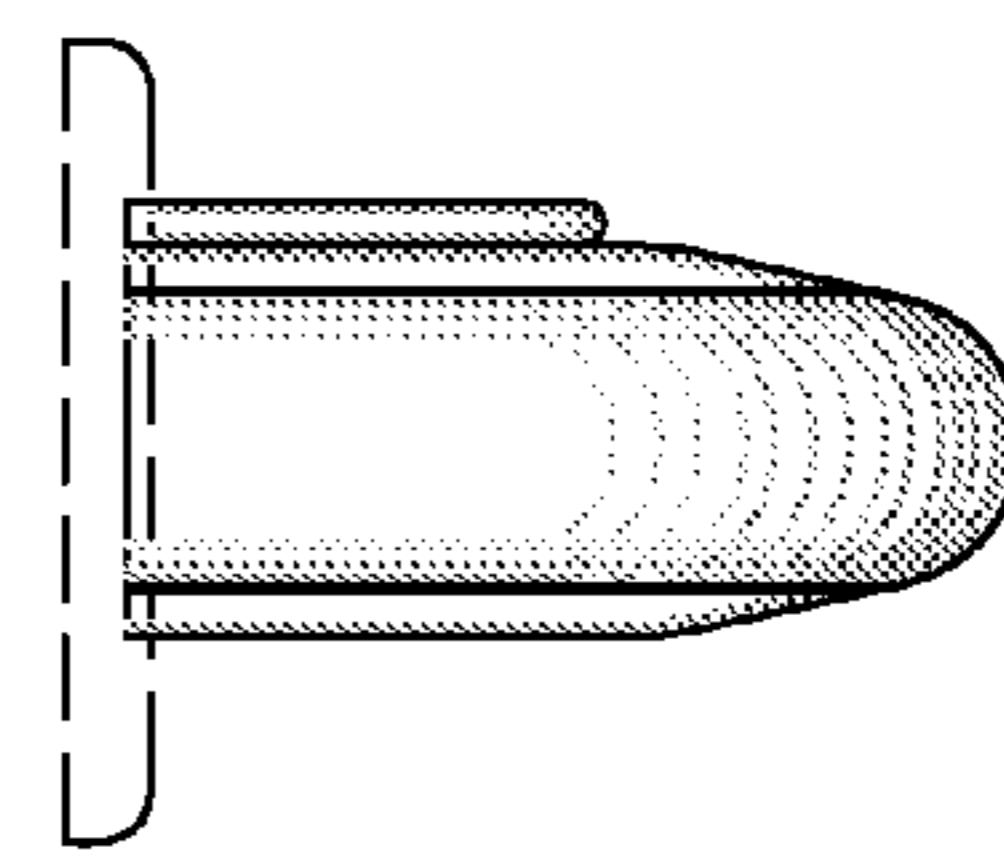


Figure 11

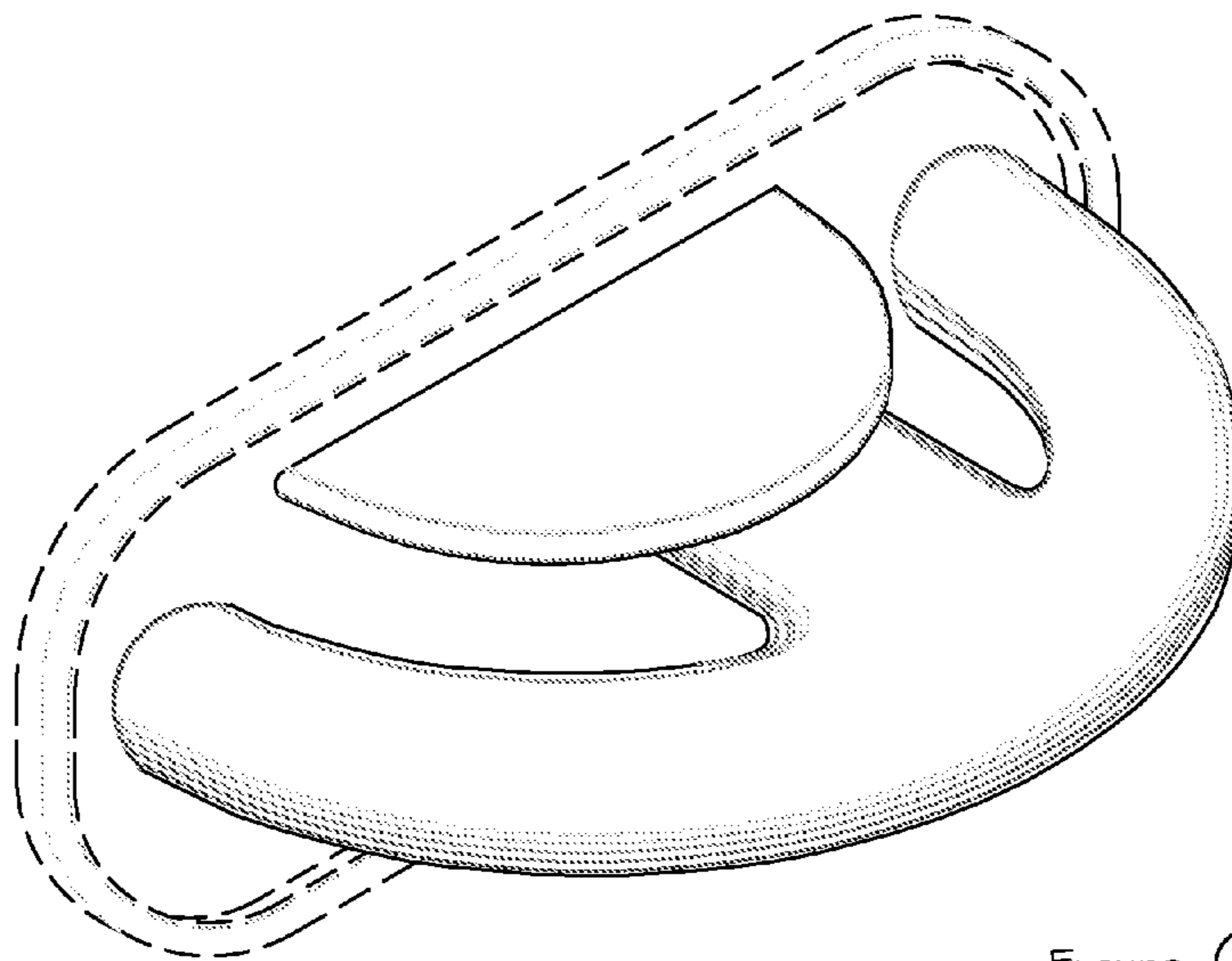


Figure 12

