



US00D587600S

(12) **United States Design Patent**  
**Parkinson**

(10) **Patent No.:** **US D587,600 S**  
(45) **Date of Patent:** **\*\* Mar. 3, 2009**

(54) **TOILET TRAINING WATCH**

(76) Inventor: **Alan Parkinson**, 12007 Aspen Ridge Rd., Sandy, UT (US) 84094

(\*\*) Term: **14 Years**

(21) Appl. No.: **29/226,323**

(22) Filed: **Mar. 28, 2005**

(51) **LOC (9) Cl.** ..... **10-02**

(52) **U.S. Cl.** ..... **D10/33**

(58) **Field of Classification Search** ..... D10/30-39,  
D10/122-129; 368/80, 223, 228-229, 232,  
368/276, 280-283, 285, 28-30, 21  
See application file for complete search history.

(56) **References Cited**

**U.S. PATENT DOCUMENTS**

D287,403 S *	12/1986	Kiiski et al. ....	D24/167
D300,514 S *	4/1989	Morishima .....	D10/31
D310,332 S *	9/1990	Wong .....	D10/32
D359,700 S *	6/1995	Abrams .....	D10/106
D379,495 S *	5/1997	Sidman et al. ....	D23/296
D385,302 S *	10/1997	Smith .....	D19/64
D389,077 S *	1/1998	Miranda, Jr. ....	D10/106
D420,110 S *	2/2000	Vogel .....	D23/296
D455,662 S	4/2002	Johnston et al. ....	D10/32

6,544,200 B1	4/2003	Smith et al. ....	600/595
D489,346 S *	5/2004	Lowinger .....	D14/138
D492,658 S *	7/2004	Lowinger .....	D14/138

\* cited by examiner

*Primary Examiner*—Janice E Seeger

*Assistant Examiner*—Zenia I Bennett

(74) *Attorney, Agent, or Firm*—Holme Roberts & Owen LLP

(57) **CLAIM**

The ornamental design for the toilet training watch, as shown and described.

**DESCRIPTION**

FIG. 1 is a perspective view of the toilet training watch;

FIG. 2 is a front elevation view;

FIG. 3 is a rear elevation view;

FIG. 4 is a right elevation view;

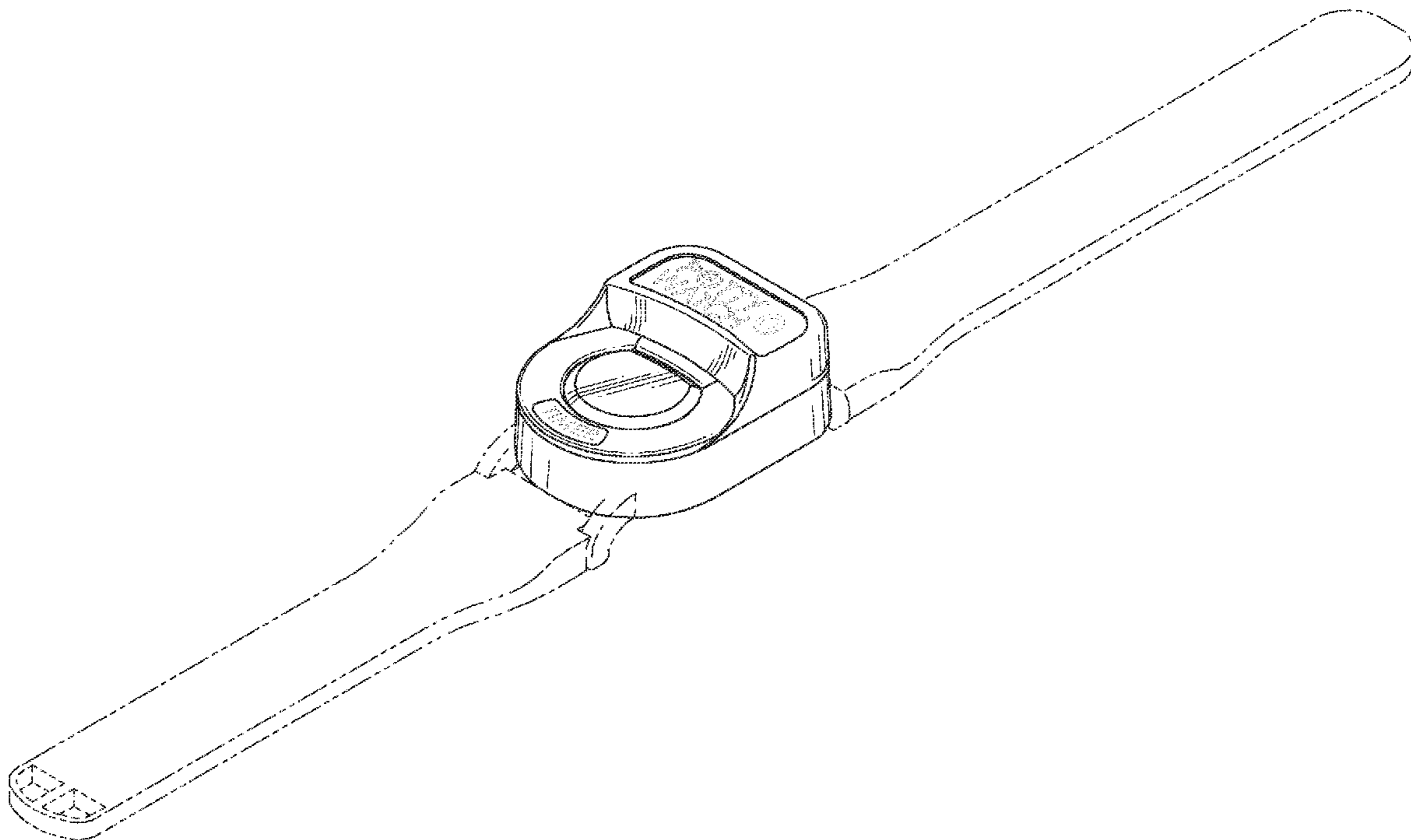
FIG. 5 is a left elevation view;

FIG. 6 is a top plan view thereof; and,

FIG. 7 is a perspective view of the watchcase of the toilet training watch of FIG. 1.

The broken lines in the drawing are for illustrative purposes only and form no part of the claimed design.

**1 Claim, 3 Drawing Sheets**



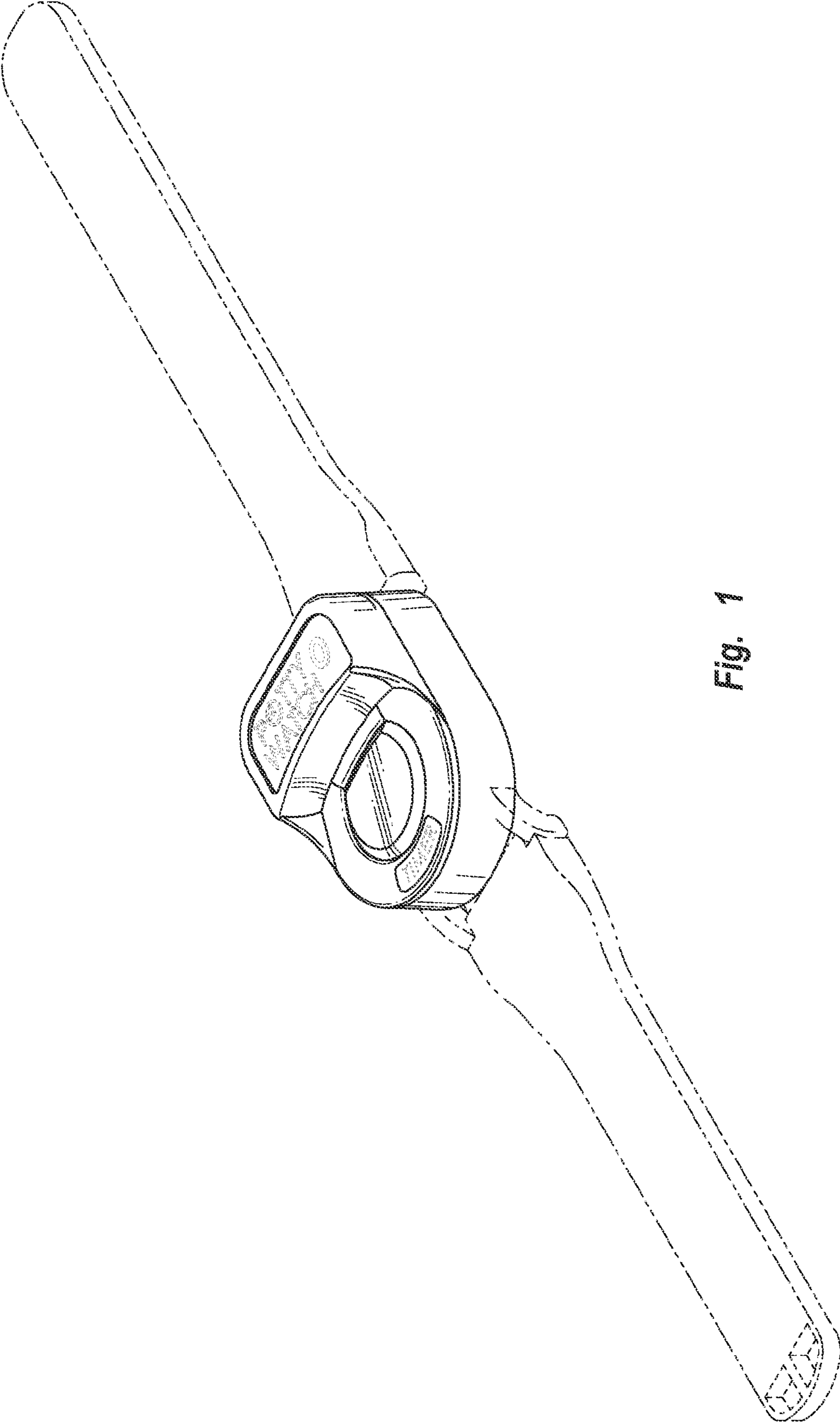


Fig. 1

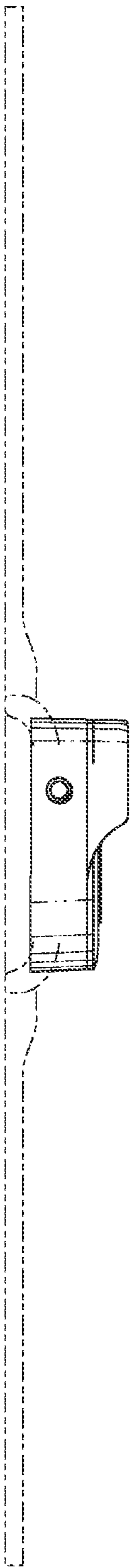


Fig. 4

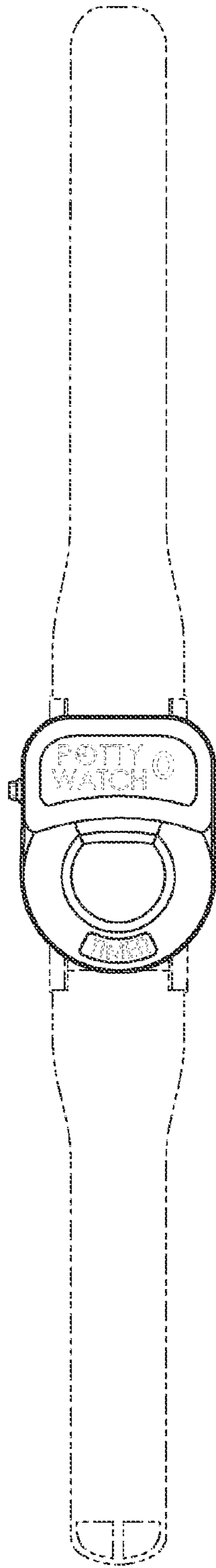


Fig. 2

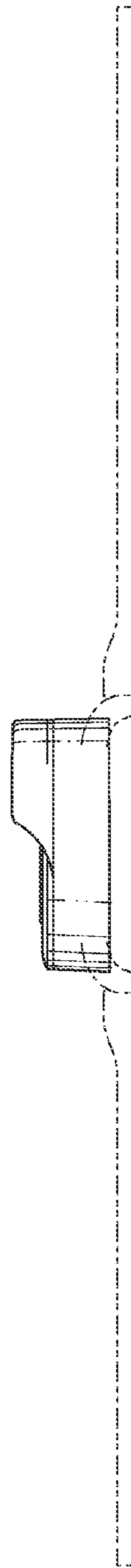


Fig. 5

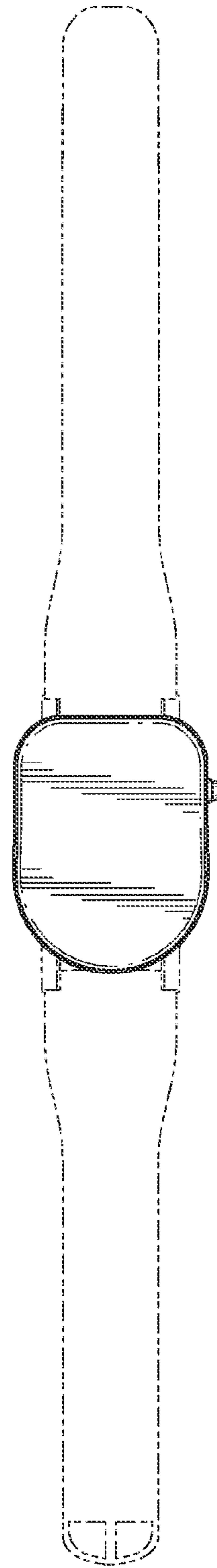


Fig. 3

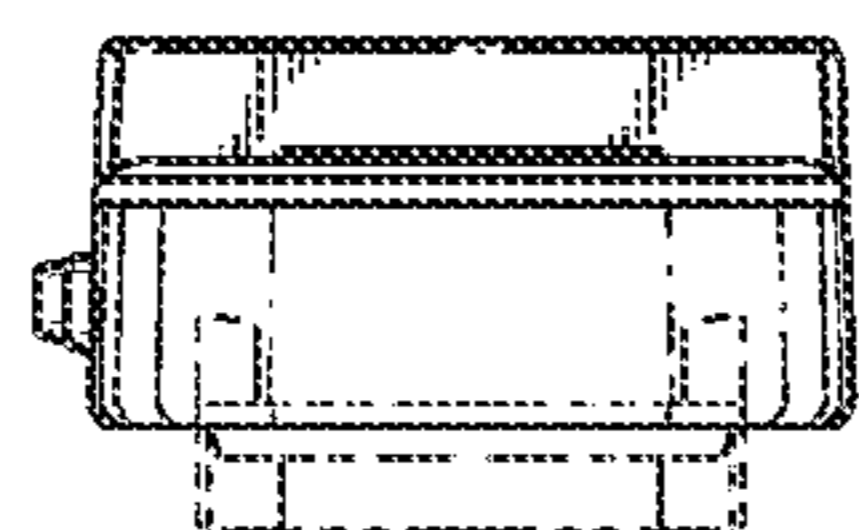


Fig. 6

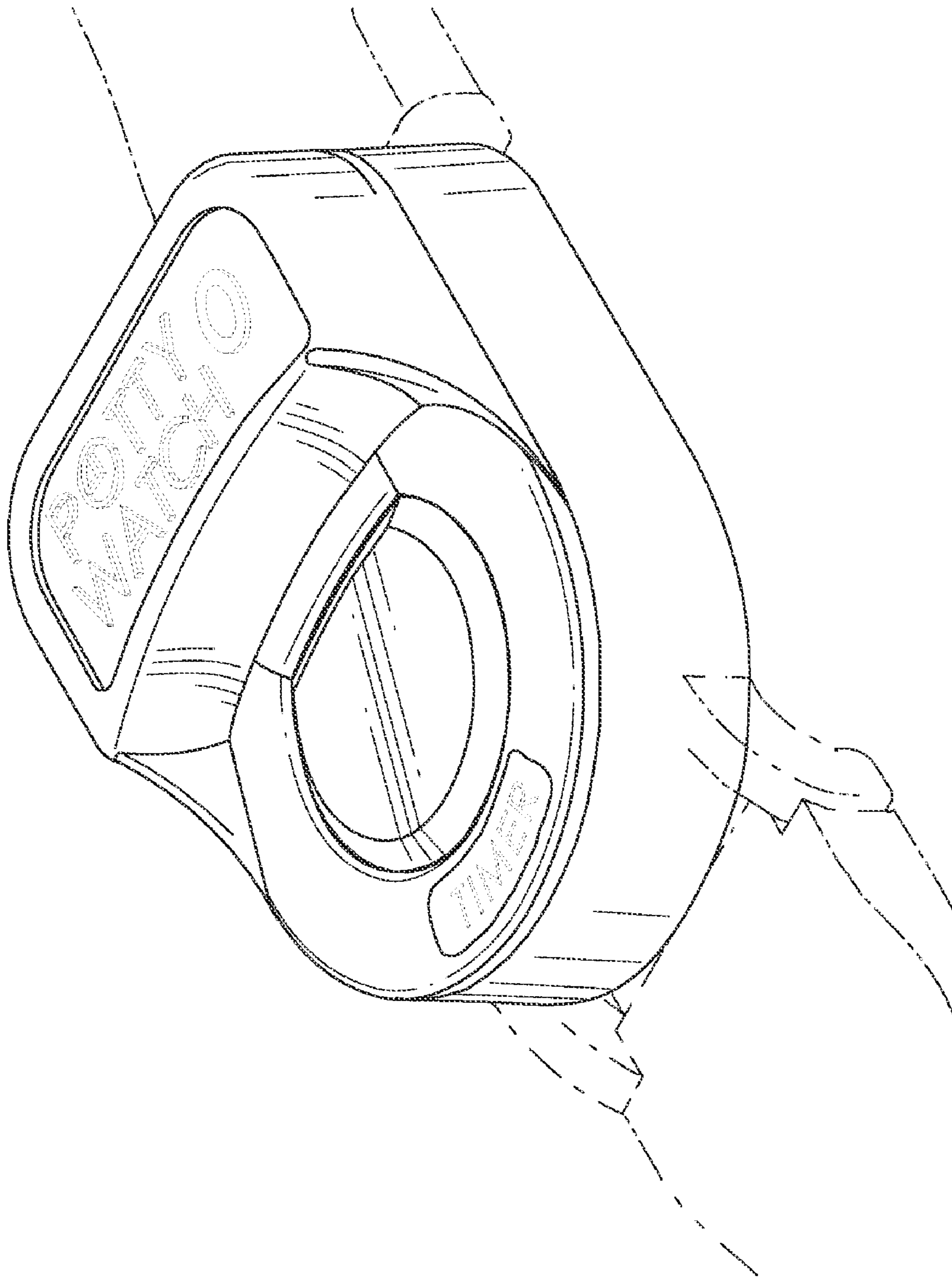


Fig. 7