



US00D587587S

(12) **United States Design Patent**  
**Schwartz et al.**

(10) **Patent No.:** **US D587,587 S**  
(45) **Date of Patent:** **\*\* Mar. 3, 2009**

(54) **CONTAINER**

(75) Inventors: **Keara Elyse Schwartz**, Cincinnati, OH (US); **Scott Perng-Juin Liu**, Cincinnati, OH (US); **Ivan Anderson Huber**, Cincinnati, OH (US); **Gregory Marie Ulrich de Swarte**, Cincinnati, OH (US)

(73) Assignee: **The Procter & Gamble Company**, Cincinnati, OH (US)

(\*\*) Term: **14 Years**

(21) Appl. No.: **29/285,019**

(22) Filed: **Mar. 19, 2007**

(51) **LOC (9) Cl.** ..... **09-01**

(52) **U.S. Cl.** ..... **D9/529**

(58) **Field of Classification Search** ..... D9/516-575, D9/414, 416, 420-424, 434-436, 443, 446, D9/454; D3/273, 294, 302; D7/538, 542, D7/601-605, 608, 612, 629; D28/76, 77, D28/73, 78, 82, 91; D34/7-11; 215/379-385, 215/200, 228, 235, 305; 220/608, 623, 660, 220/669-675, 200, 213, 252, 254.1, 254.3, 220/810, 376, 805

See application file for complete search history.

(56) **References Cited**

**U.S. PATENT DOCUMENTS**

D56,210	S	*	8/1920	Vivaudou	.....	D3/294
2,110,329	A	*	3/1938	Enkur	.....	220/298
D254,831	S	*	4/1980	Smith	.....	D7/540
D285,656	S	*	9/1986	Champion	.....	D9/503
D353,303	S	*	12/1994	Davis	.....	D7/542
D432,017	S	*	10/2000	Alvarado	.....	D9/529
D433,333	S	*	11/2000	Kokenge et al.	.....	D9/449
D470,638	S	*	2/2003	Quan	.....	D34/7
D529,811	S	*	10/2006	Ratzlaff	.....	D9/529
D539,655	S	*	4/2007	Kipperman et al.	.....	D9/529
D564,877	S	*	3/2008	Hood et al.	.....	D9/454
D571,669	S	*	6/2008	Ginsberg et al.	.....	D9/558
D572,535	S	*	7/2008	El-Ghouyel et al.	.....	D7/538

2003/0136790 A1\* 7/2003 McNeeley et al. .... 220/793

**FOREIGN PATENT DOCUMENTS**

GB DES. 1060374 \* 12/1989

\* cited by examiner

*Primary Examiner*—Catherine Tuttle

(74) *Attorney, Agent, or Firm*—Idris N. McKevey; Laura R. Grunzinger

(57) **CLAIM**

The ornamental design for a container, as shown and described.

**DESCRIPTION**

FIG. 1 is perspective view of the container;

FIG. 2 is a front view of the container;

FIG. 3 is a back view of the container;

FIG. 4 is a side view of the container;

FIG. 5 is a top view of the container; and

FIG. 6 is a bottom view of the container.

FIG. 7 is a perspective view of a second embodiment of the container;

FIG. 8 is a front view of the second embodiment of the container;

FIG. 9 is a back view of the second embodiment of the container;

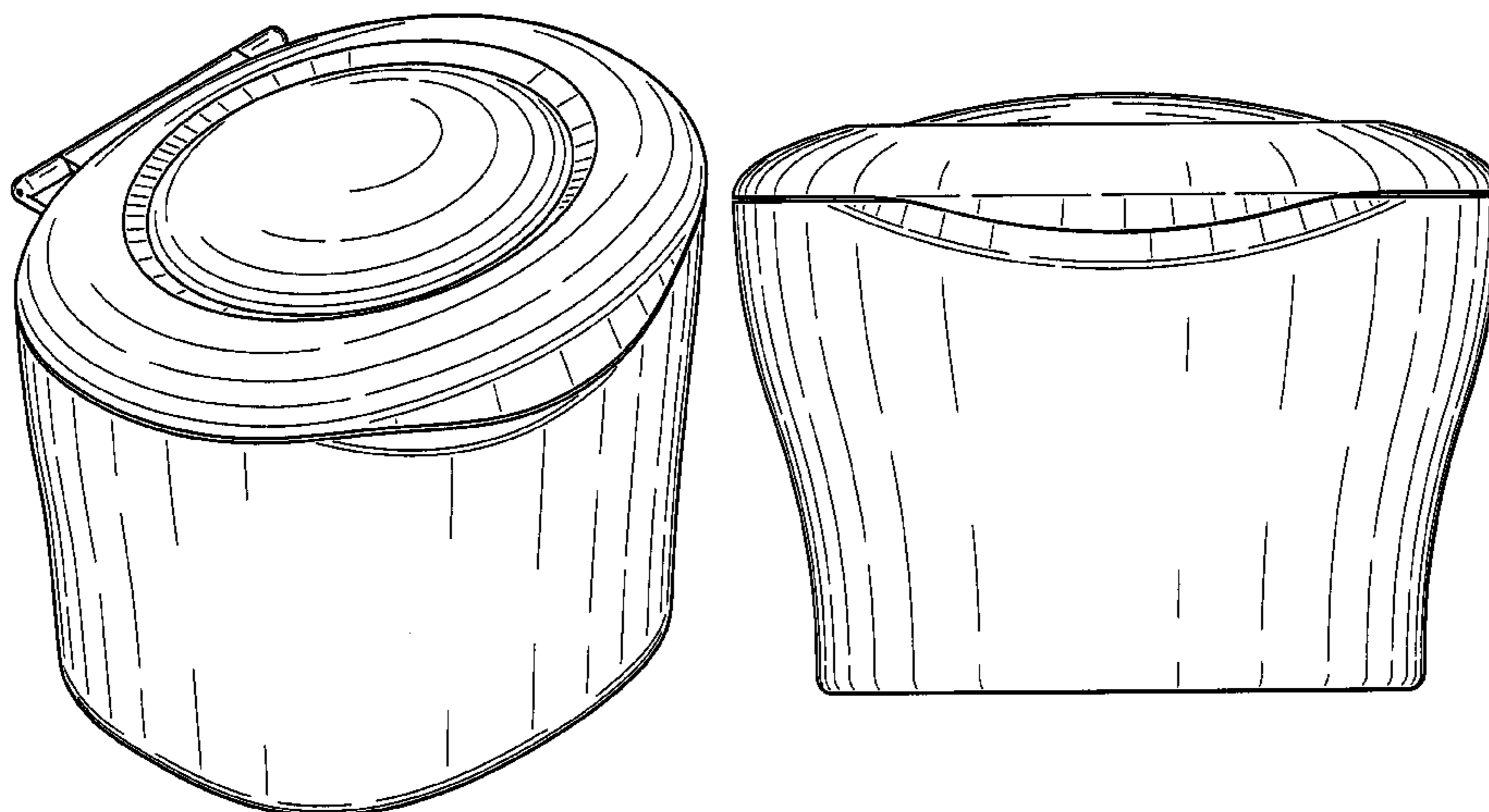
FIG. 10 is a side view of the second embodiment of the container;

FIG. 11 is a top view of the second embodiment of the container; and,

FIG. 12 is a bottom view of the second embodiment of the container.

The broken lines in FIGS. 6 and 12 are included for the purpose of illustrating the bottom surface portion of the container that forms no part of the claimed design.

**1 Claim, 12 Drawing Sheets**



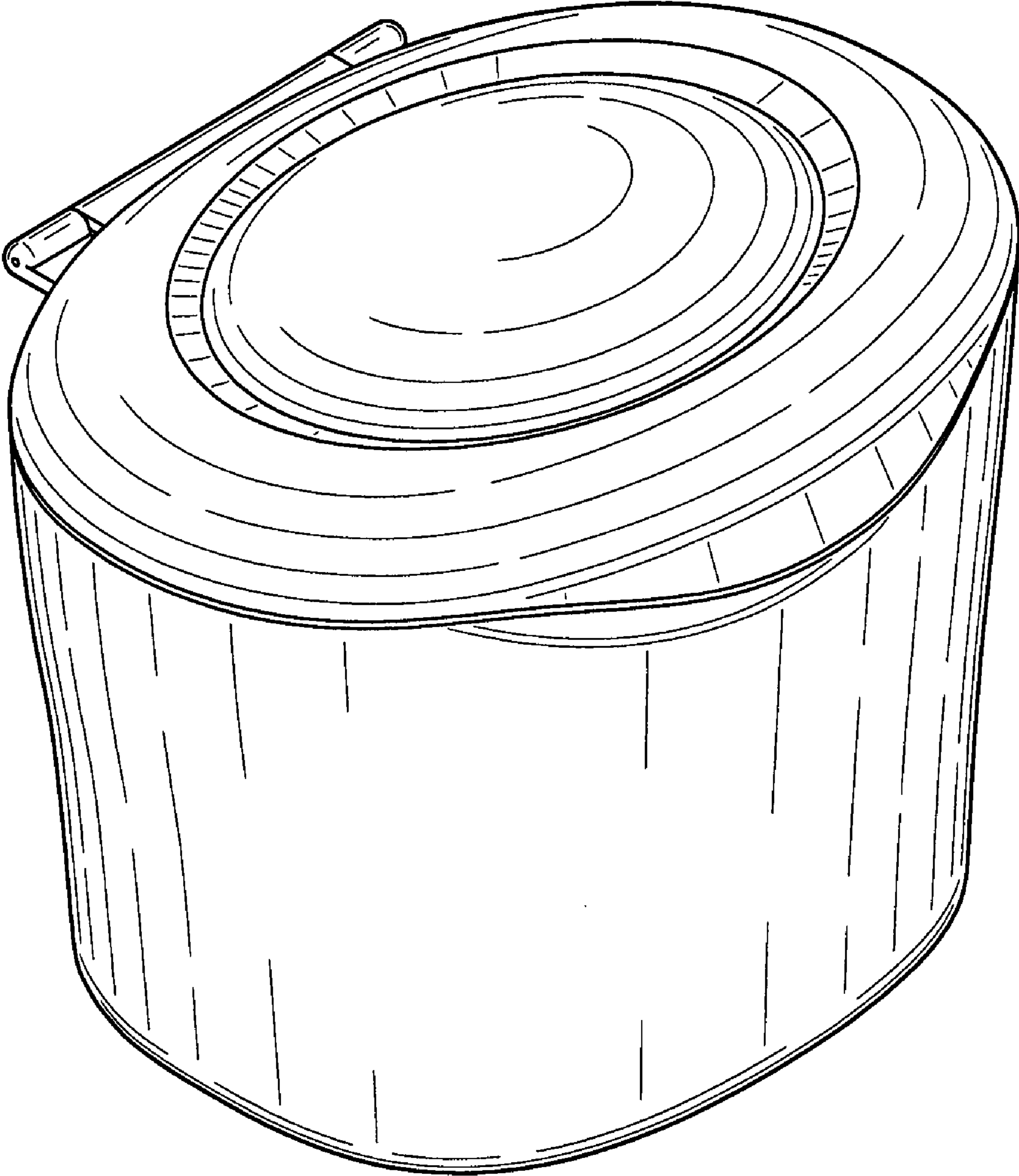


FIG. 1

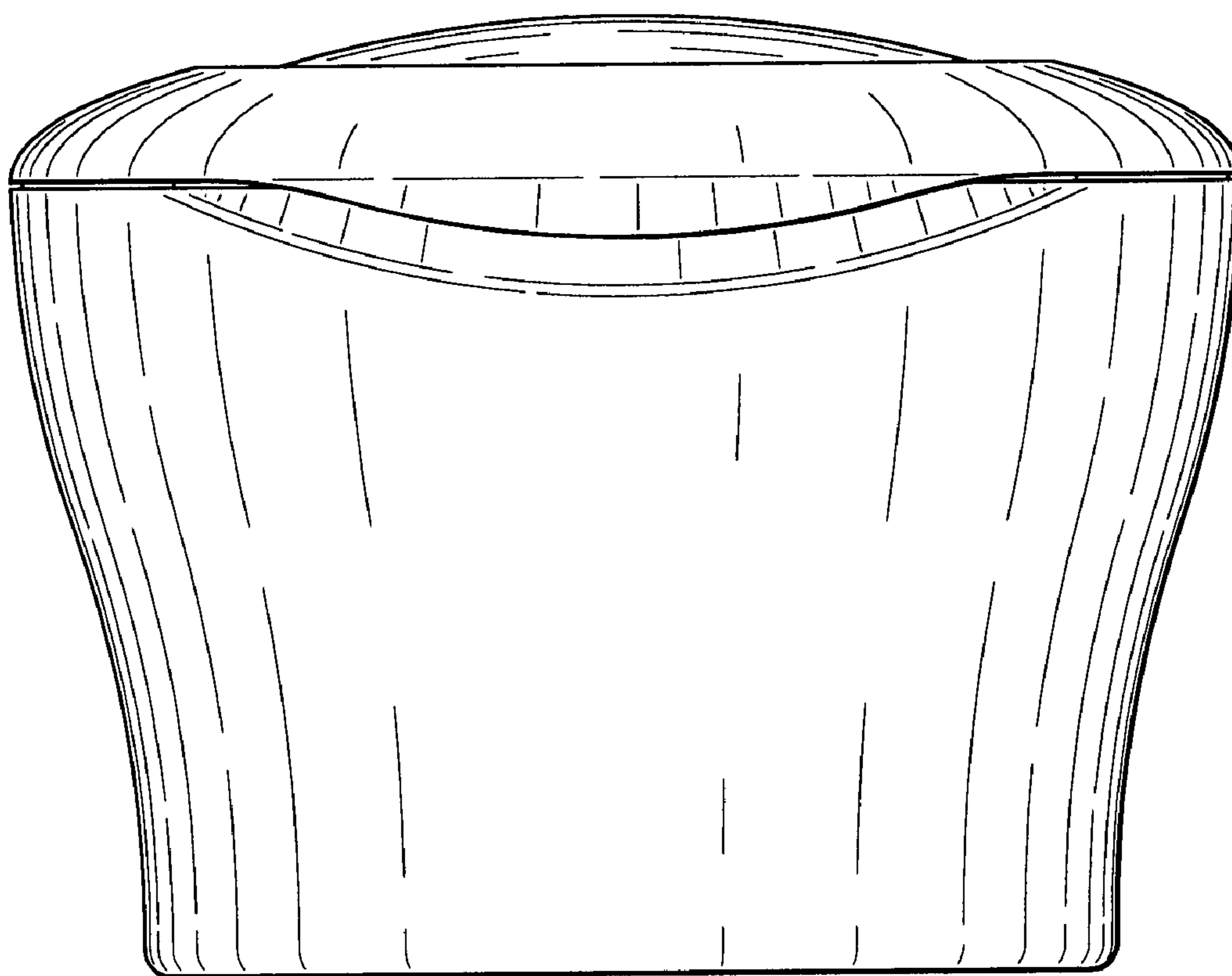


FIG. 2

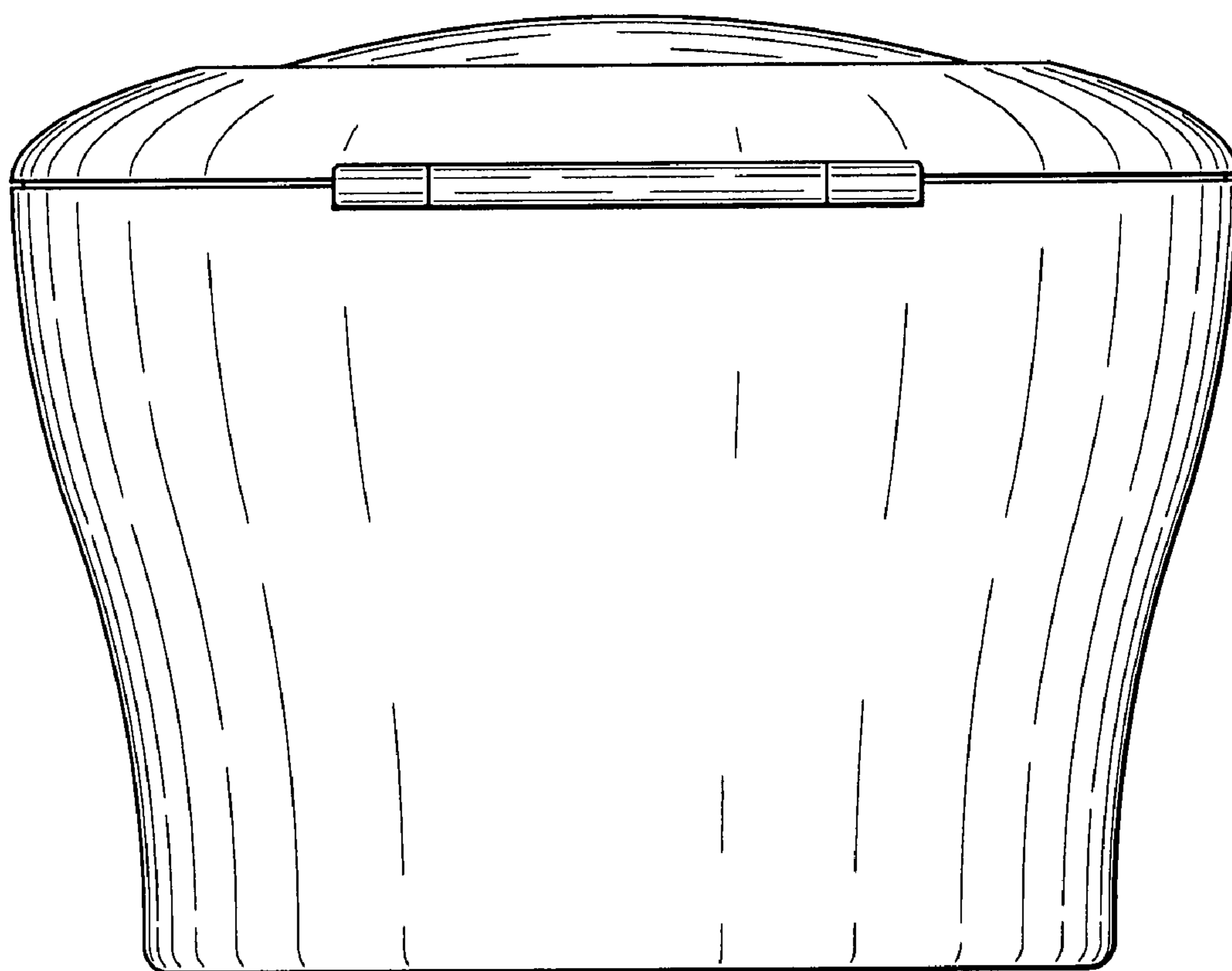


FIG. 3

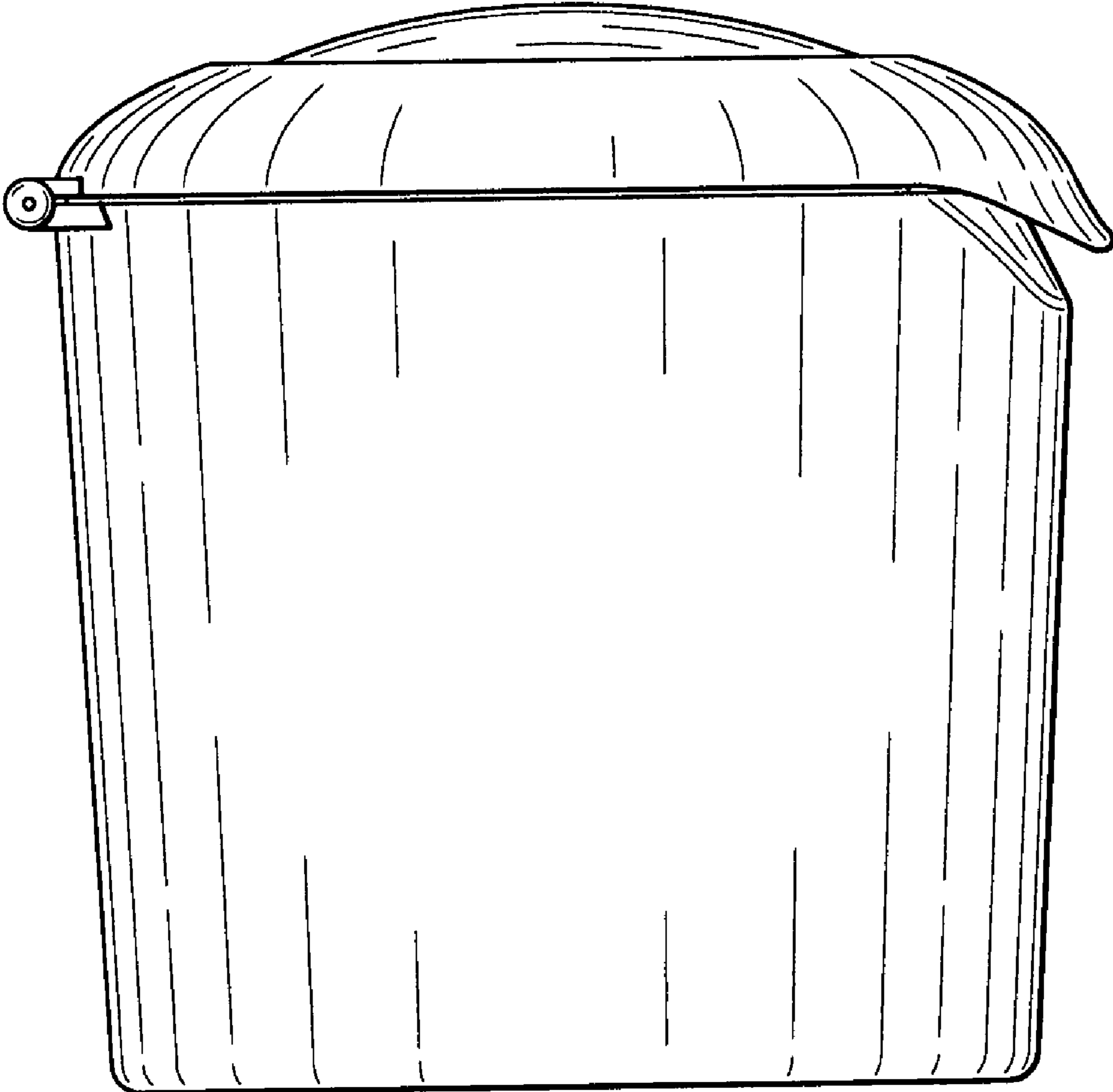


FIG. 4

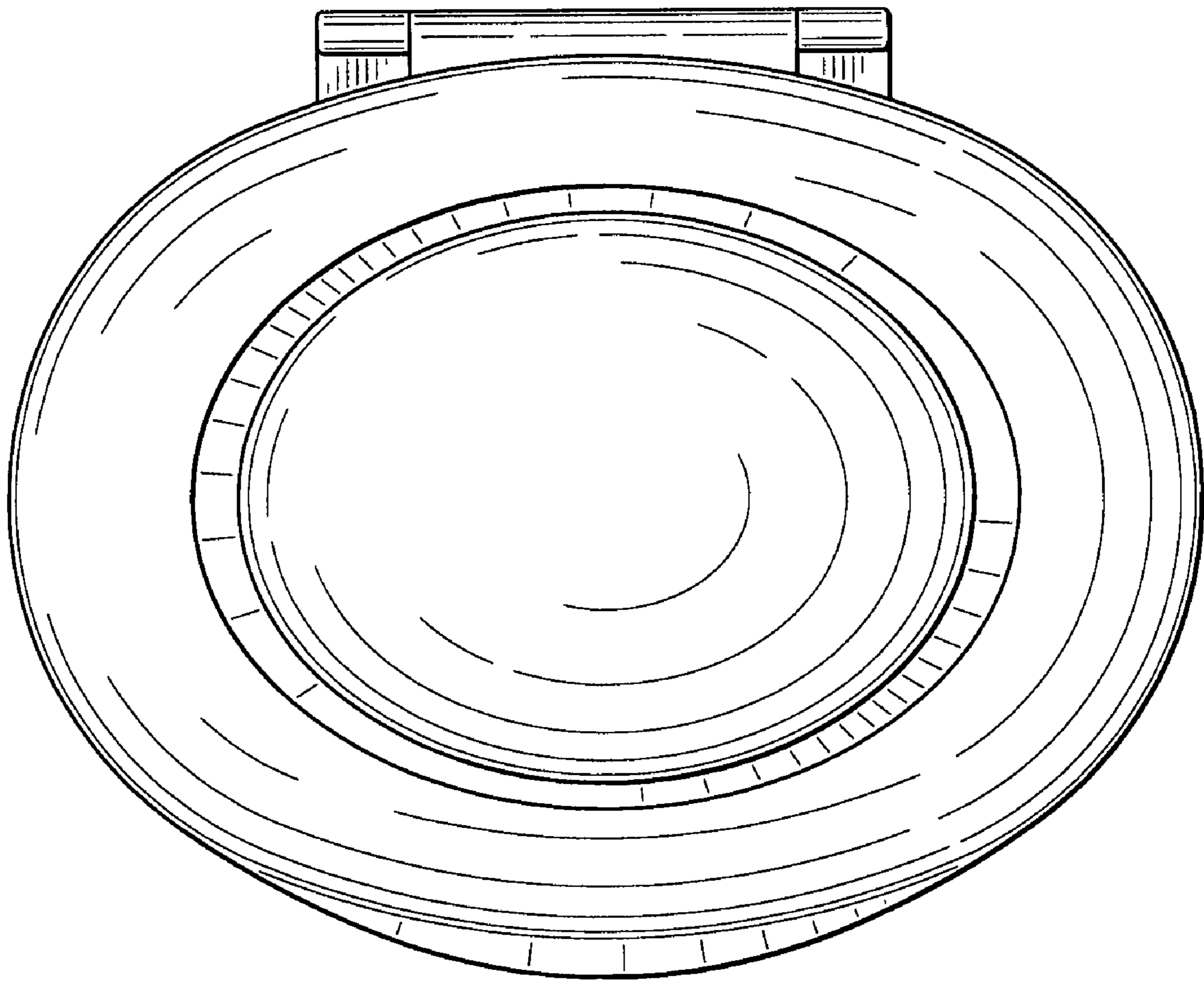


FIG. 5

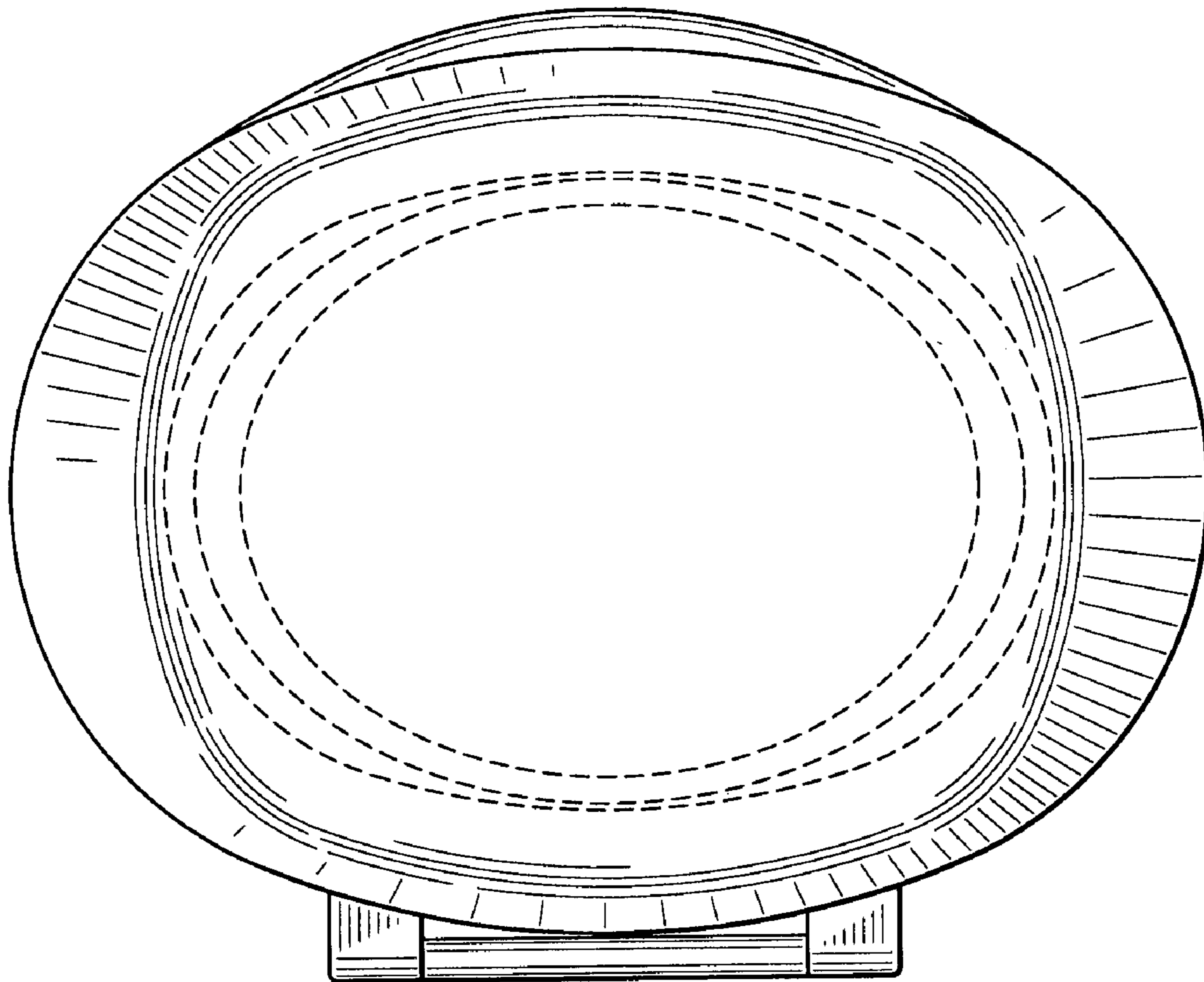


FIG. 6

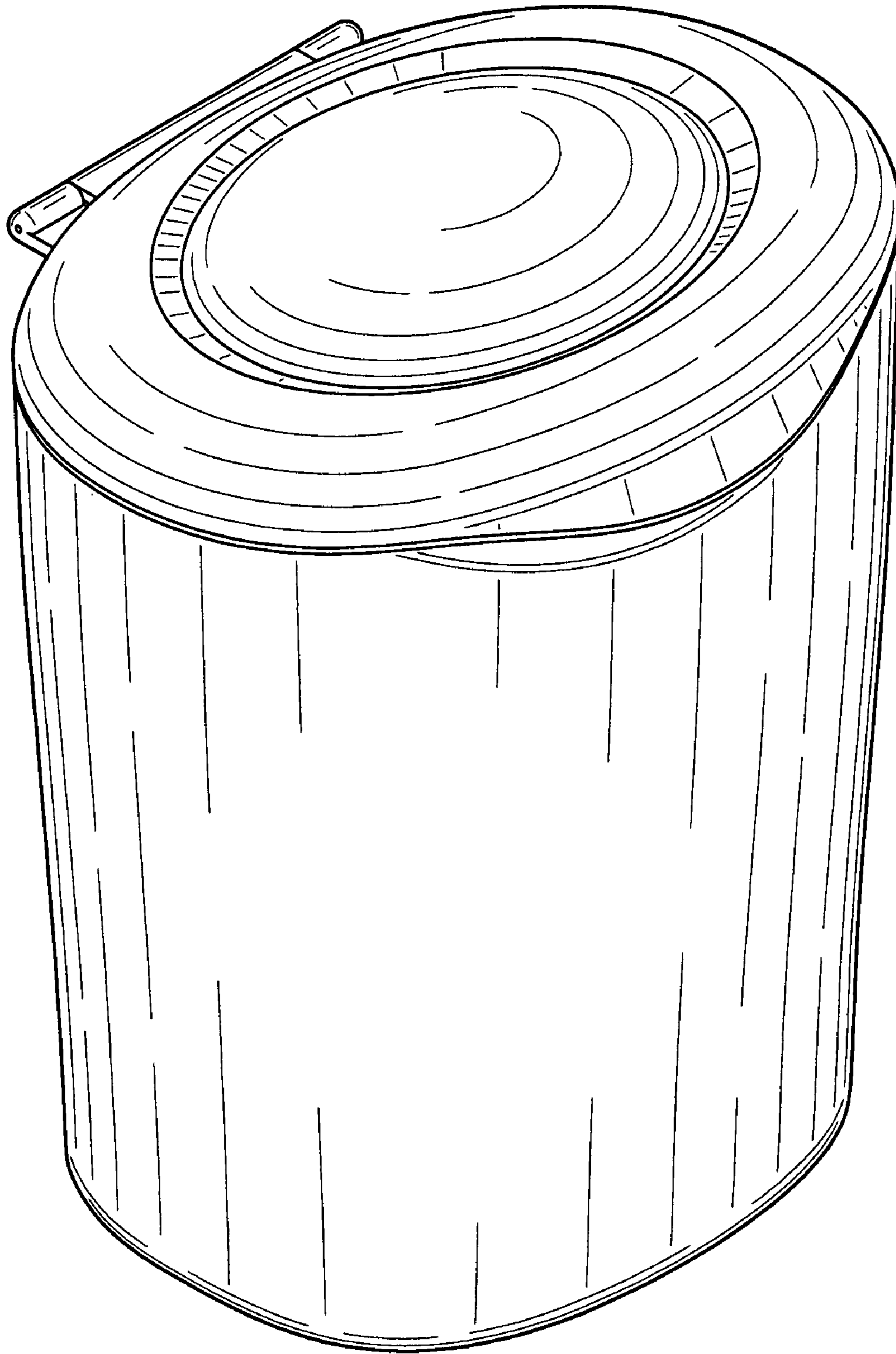


FIG. 7



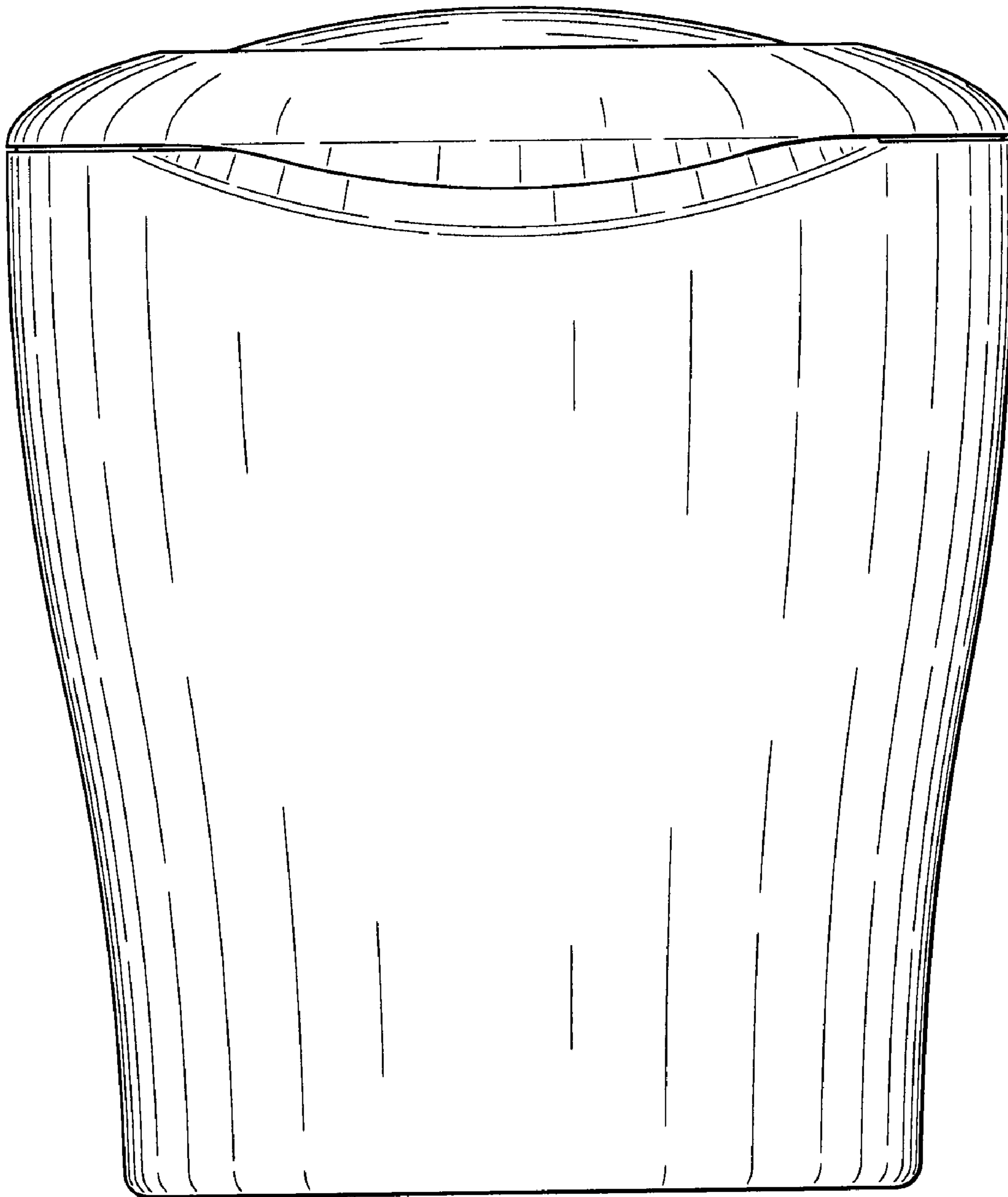


FIG. 8

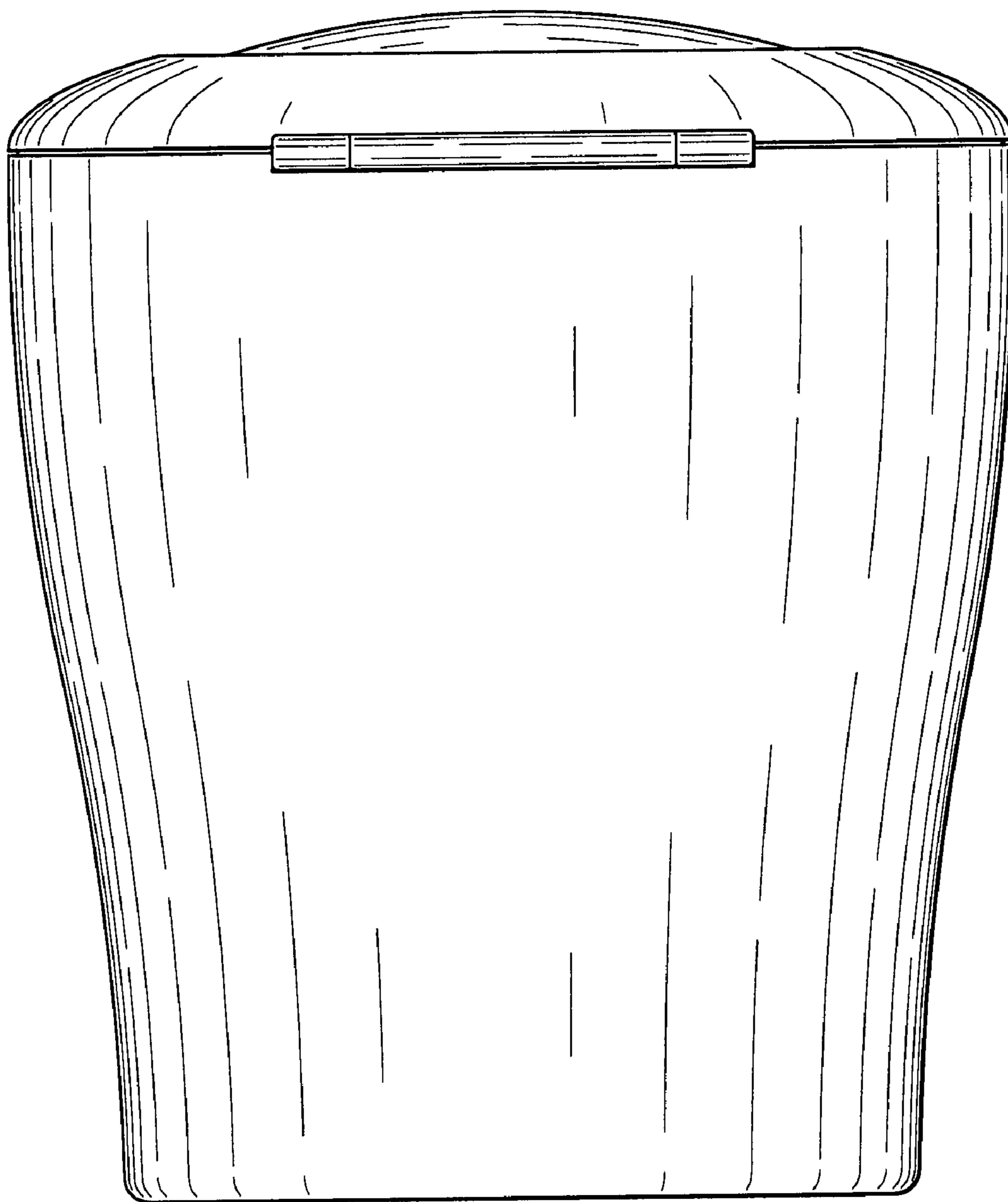


FIG. 9

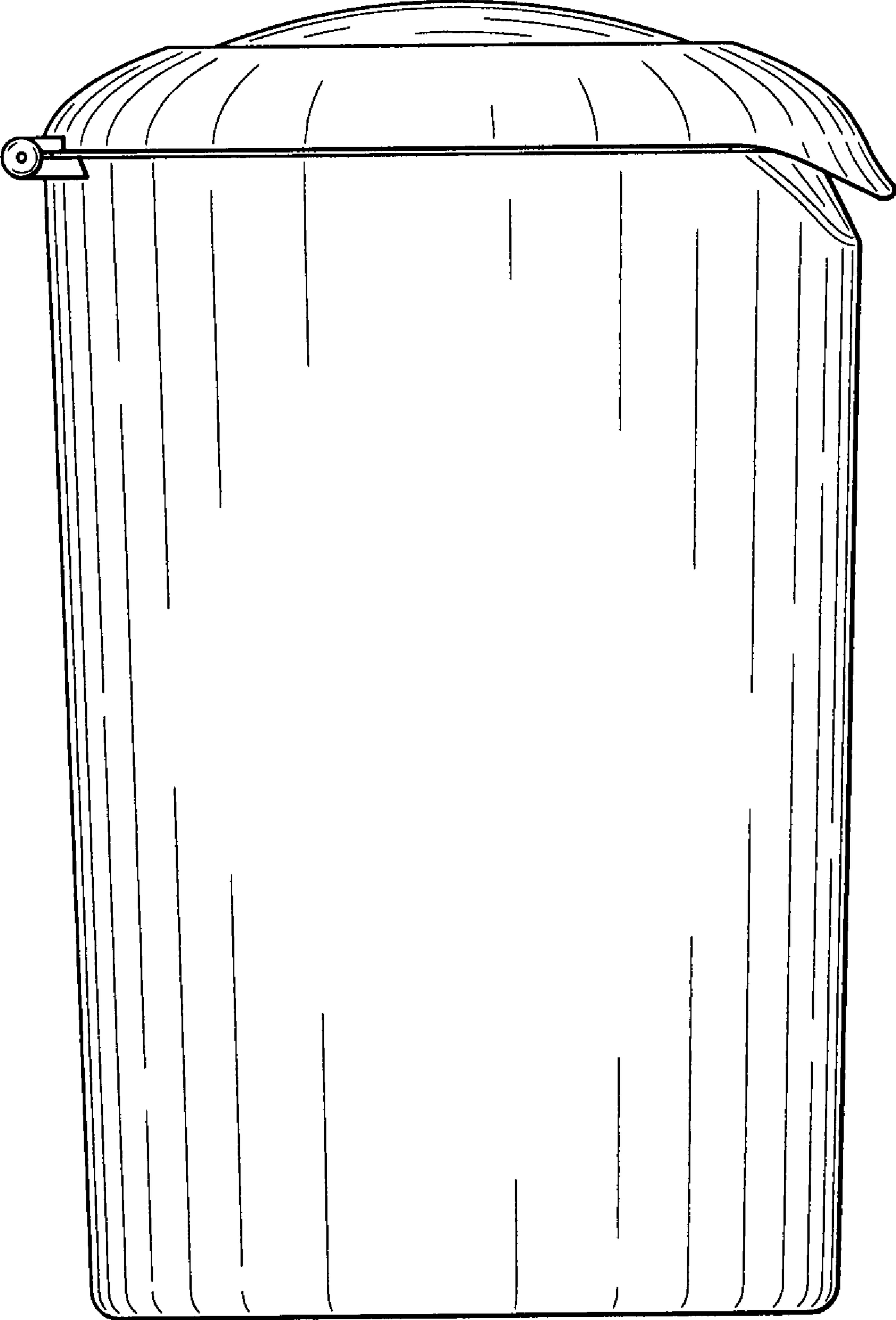


FIG. 10

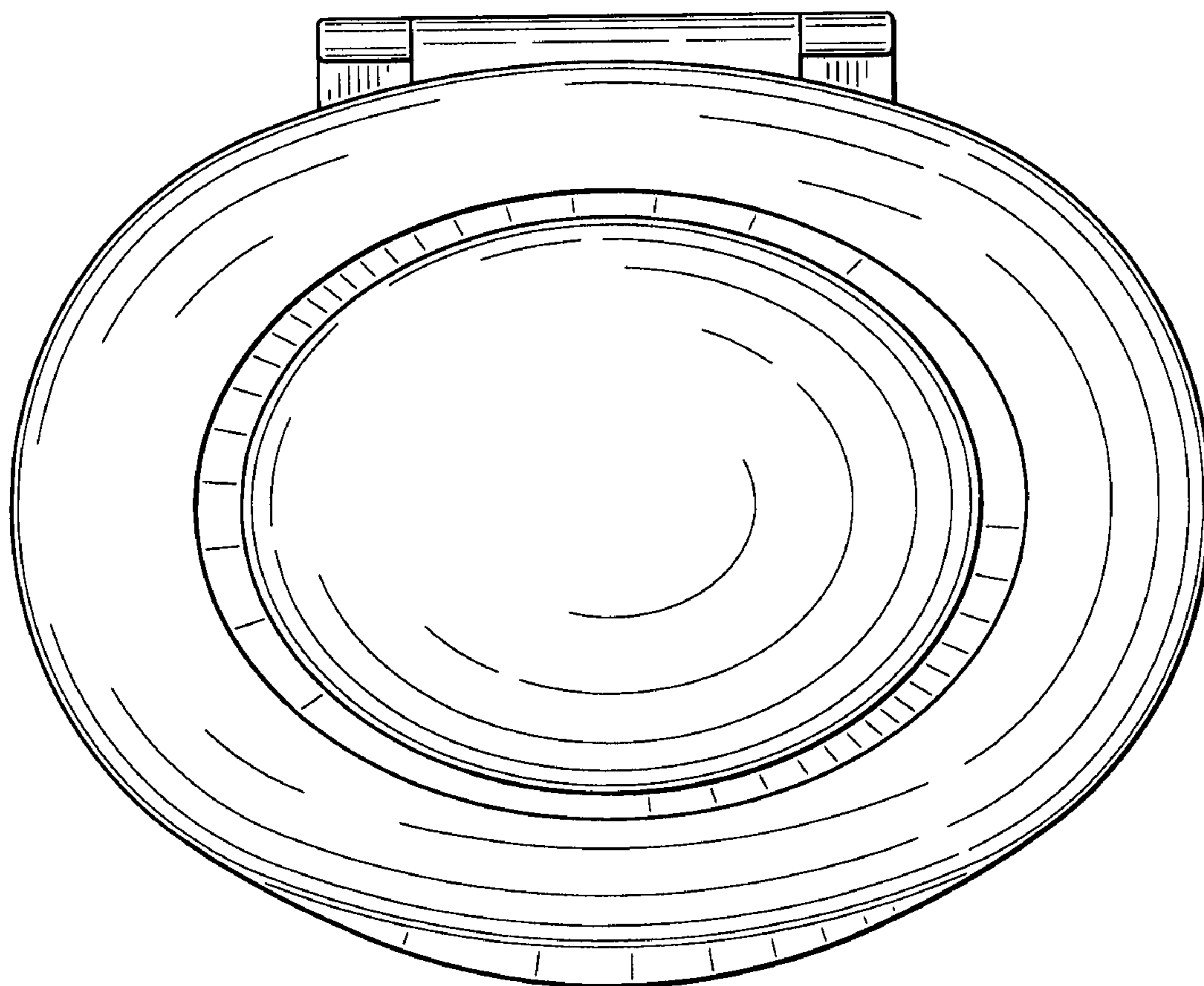


FIG. 11

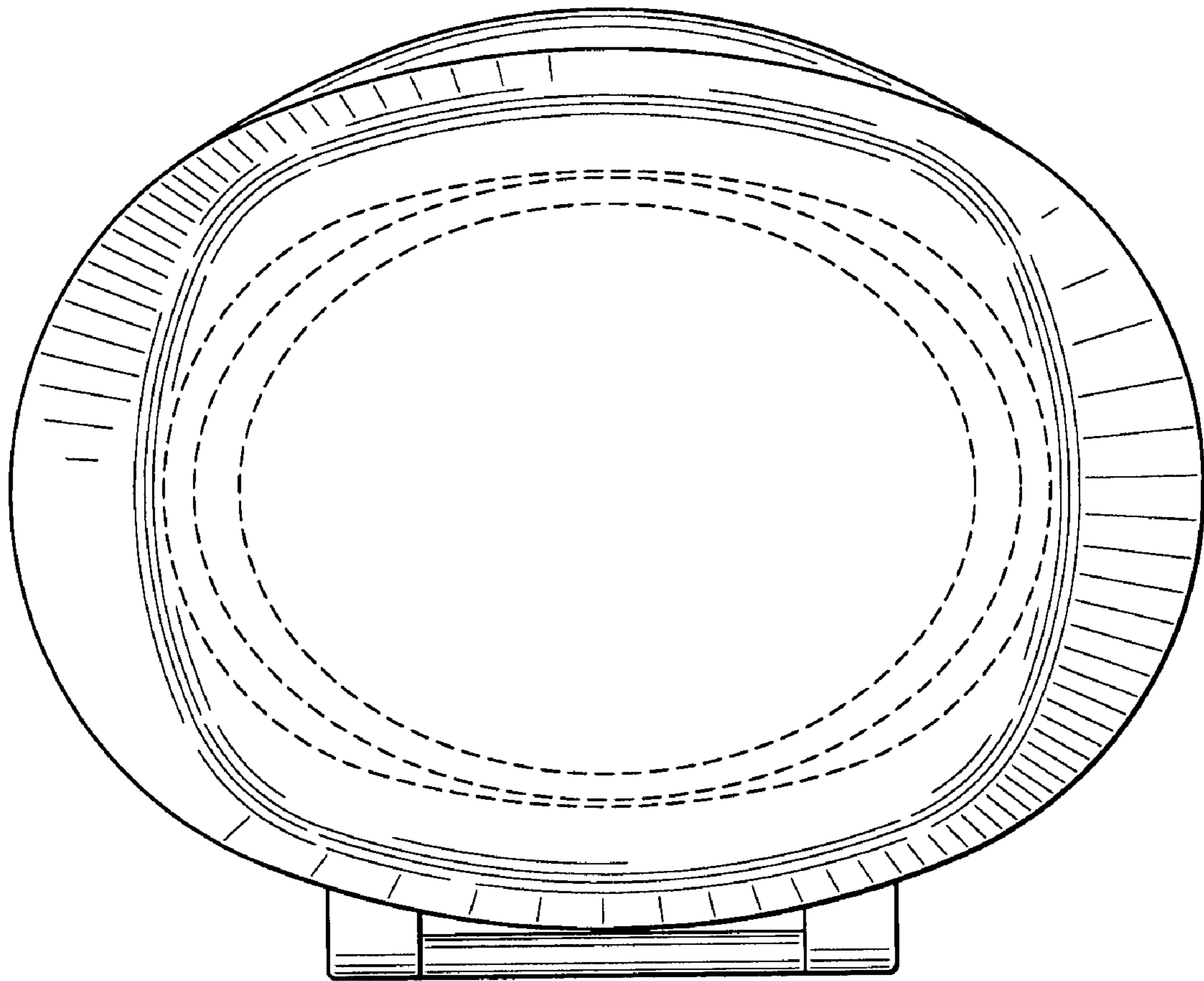


FIG. 12