



US00D587586S

(12) **United States Design Patent**
Patzak

(10) **Patent No.:** **US D587,586 S**
(45) **Date of Patent:** **** Mar. 3, 2009**

(54) **BOTTLE**

D563,233 S * 3/2008 Patzak D9/558

(75) Inventor: **Peter Karl Patzak**, Muehtal (DE)

FOREIGN PATENT DOCUMENTS

(73) Assignee: **The Procter & Gamble Company**,
Cincinnati, OH (US)

CN 3427532 2/2005
JP 1071698 3/2000

(**) Term: **14 Years**

* cited by examiner

(21) Appl. No.: **29/269,599**

Primary Examiner—Charles A Rademaker
Assistant Examiner—Dana L Sipos

(22) Filed: **Dec. 4, 2006**

(74) *Attorney, Agent, or Firm*—Linda M. Sivik; Marianne Dressman; Tara M. Rosnell

(51) **LOC (9) Cl.** **09-01**

(57) **CLAIM**

(52) **U.S. Cl.** **D9/529; D9/767; D9/560;**
D9/446; D9/447

The ornamental design for a bottle, as shown and described.

(58) **Field of Classification Search** D9/500,
D9/516, 529, 549, 557–558, 682, 686–694,
D9/435, 446–447, 449, 544, 560, 572–575;
215/379, 381–384; 220/660, 662, 669–673,
220/675; D28/7, 76

DESCRIPTION

See application file for complete search history.

FIG. 1 is a top, front perspective view of a bottle showing my new design;

FIG. 2 is a front elevation view thereof;

FIG. 3 is a rear elevation view thereof;

FIG. 4 is a top plan view thereof;

FIG. 5 is a bottom plan view thereof;

FIG. 6 is a right side elevation view thereof;

FIG. 7 is a left side elevation view thereof;

FIG. 8 is a cross section view taken along the line 8—8 in FIG. 2;

FIG. 9 is a cross section view taken along the line 9—9 FIG. 2; and,

FIG. 10 is a top, front perspective view of the bottle of FIG. 1, shown with the cap open and removed.

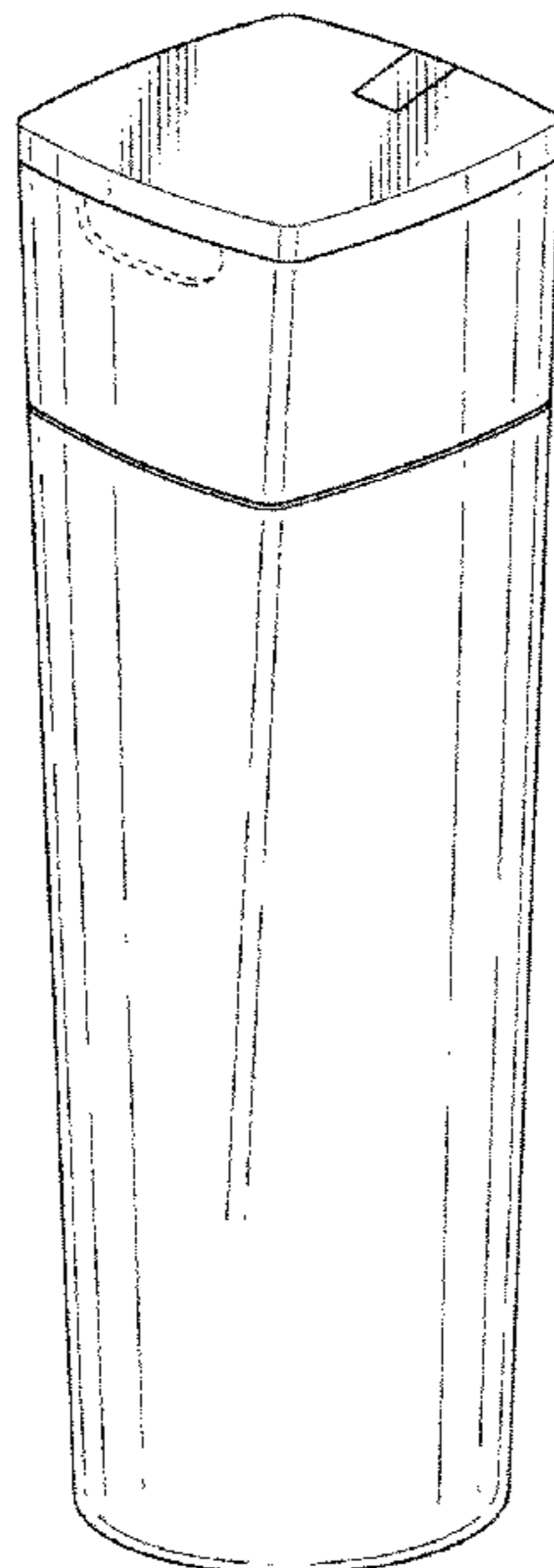
The broken lines in the drawings illustrate the details of the design that form no part of the claim.

(56) **References Cited**

U.S. PATENT DOCUMENTS

- D219,096 S * 11/1970 Mauri-Closa D9/574
- D368,554 S * 4/1996 Fiore D28/85
- D391,857 S * 3/1998 Fiore D9/529
- D394,210 S * 5/1998 Fiore D9/529
- D396,186 S * 7/1998 Fiore D9/687
- D411,460 S * 6/1999 Nobuto D9/560
- D476,902 S * 7/2003 Snyder D9/561
- D506,391 S * 6/2005 Busch et al. D9/522
- D512,637 S * 12/2005 De Monclin D9/522
- D538,481 S * 3/2007 Decker D28/89
- D541,154 S * 4/2007 Moribata et al. D9/449
- D544,351 S * 6/2007 Dittmer et al. D9/504

1 Claim, 7 Drawing Sheets



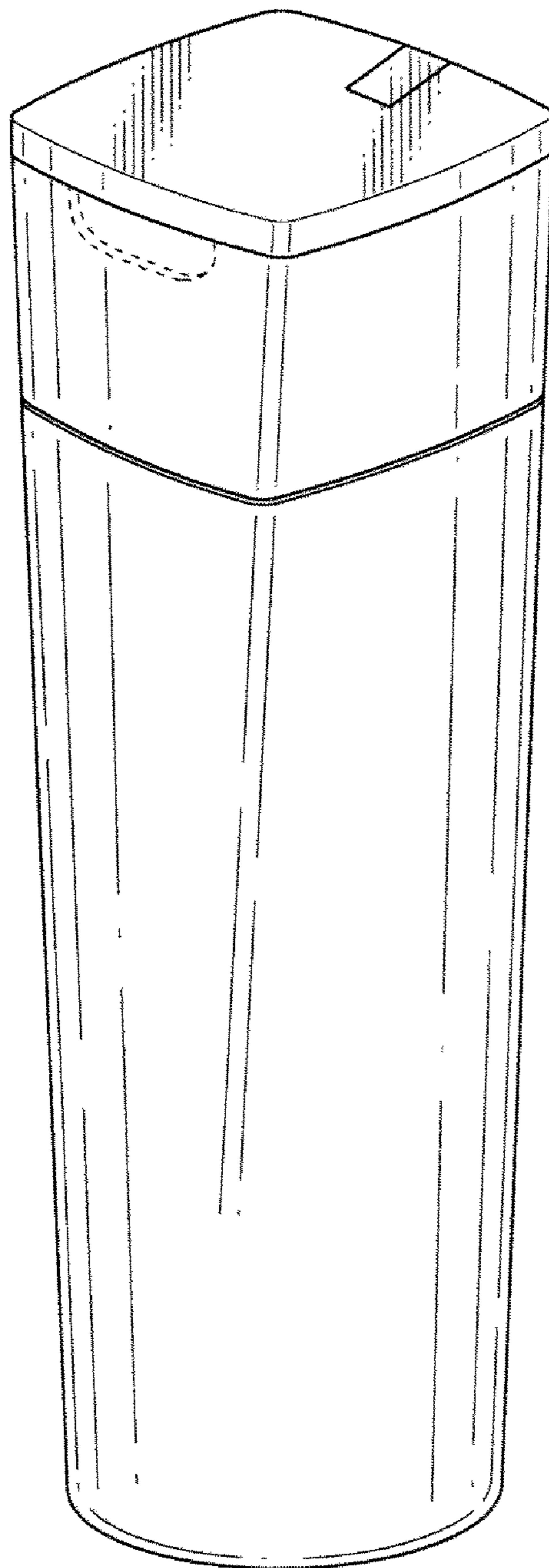


Fig. 1

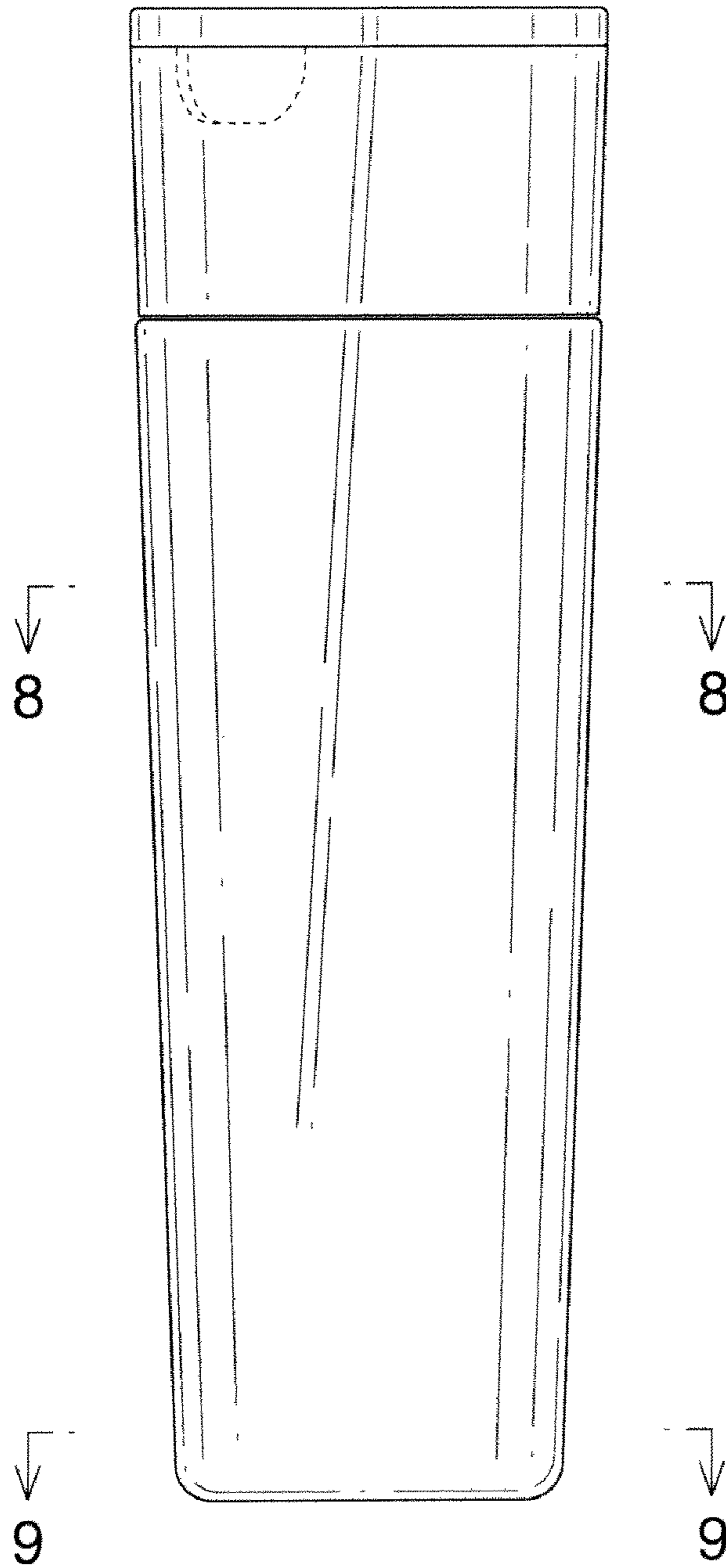


Fig. 2

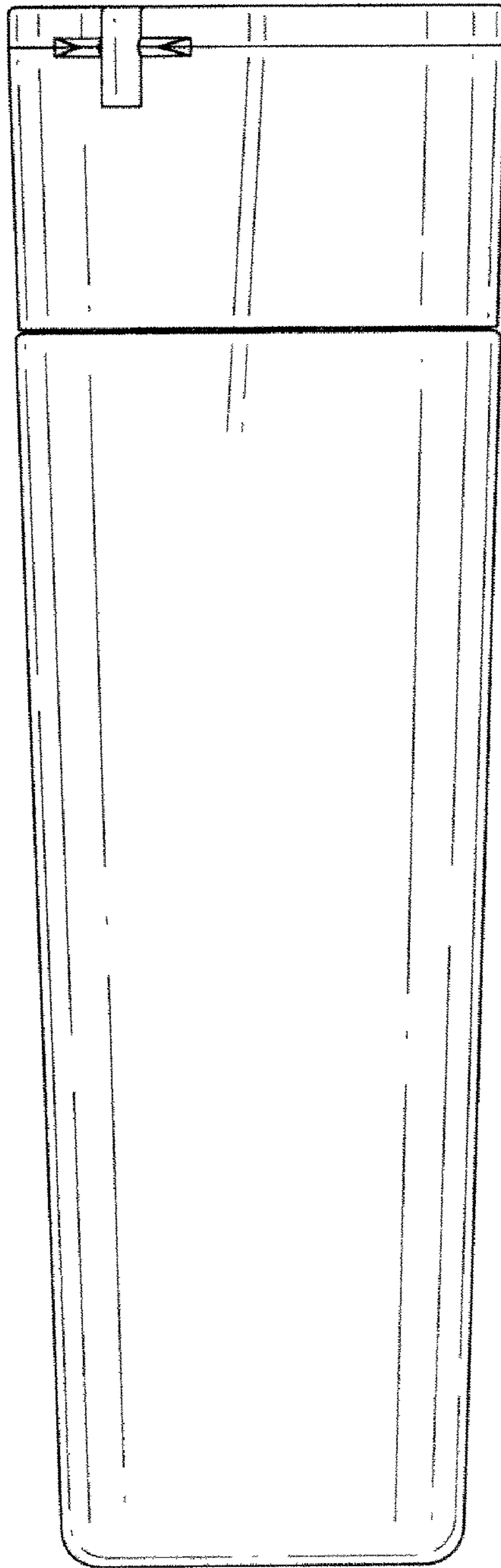


Fig. 3

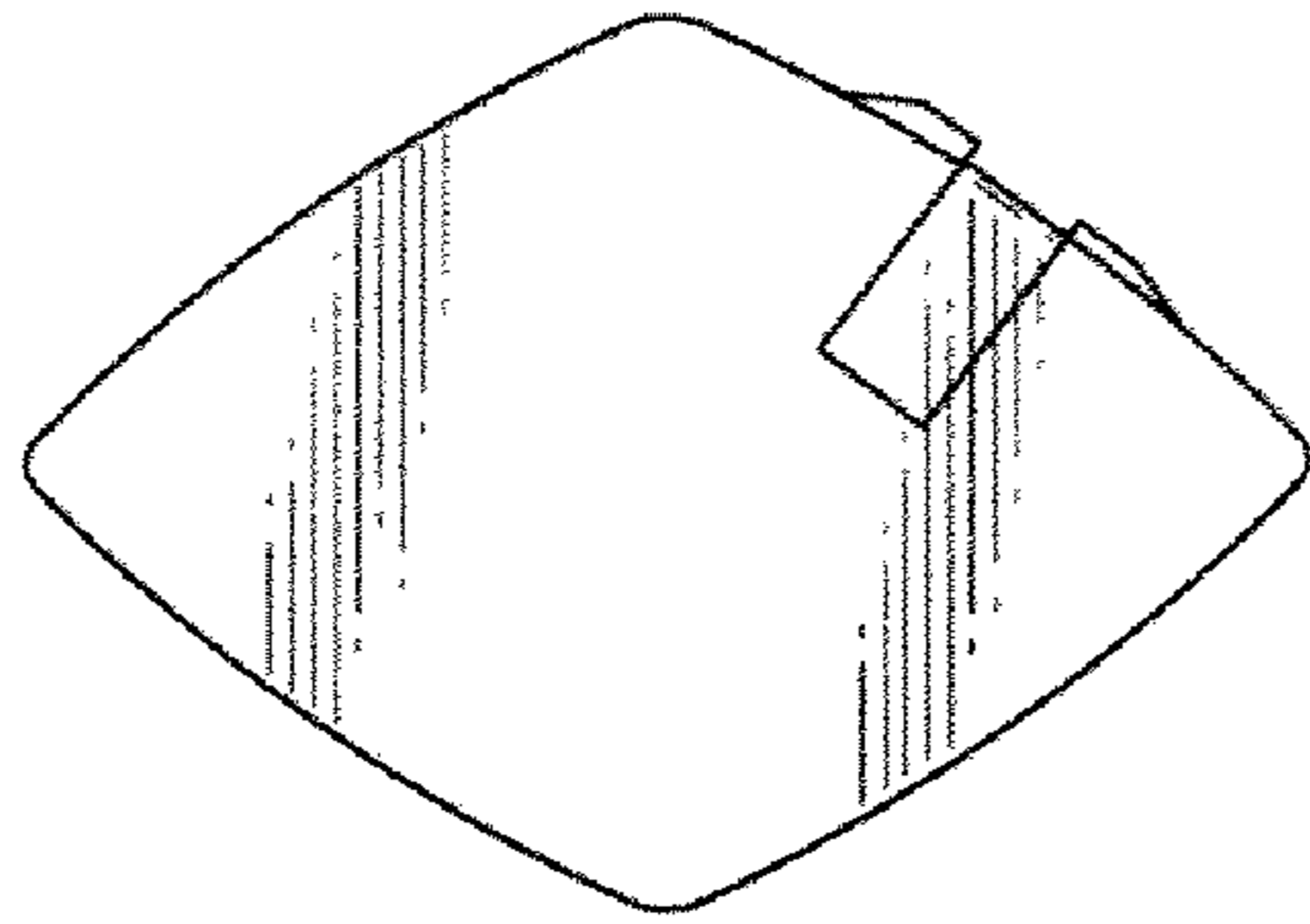


Fig. 4

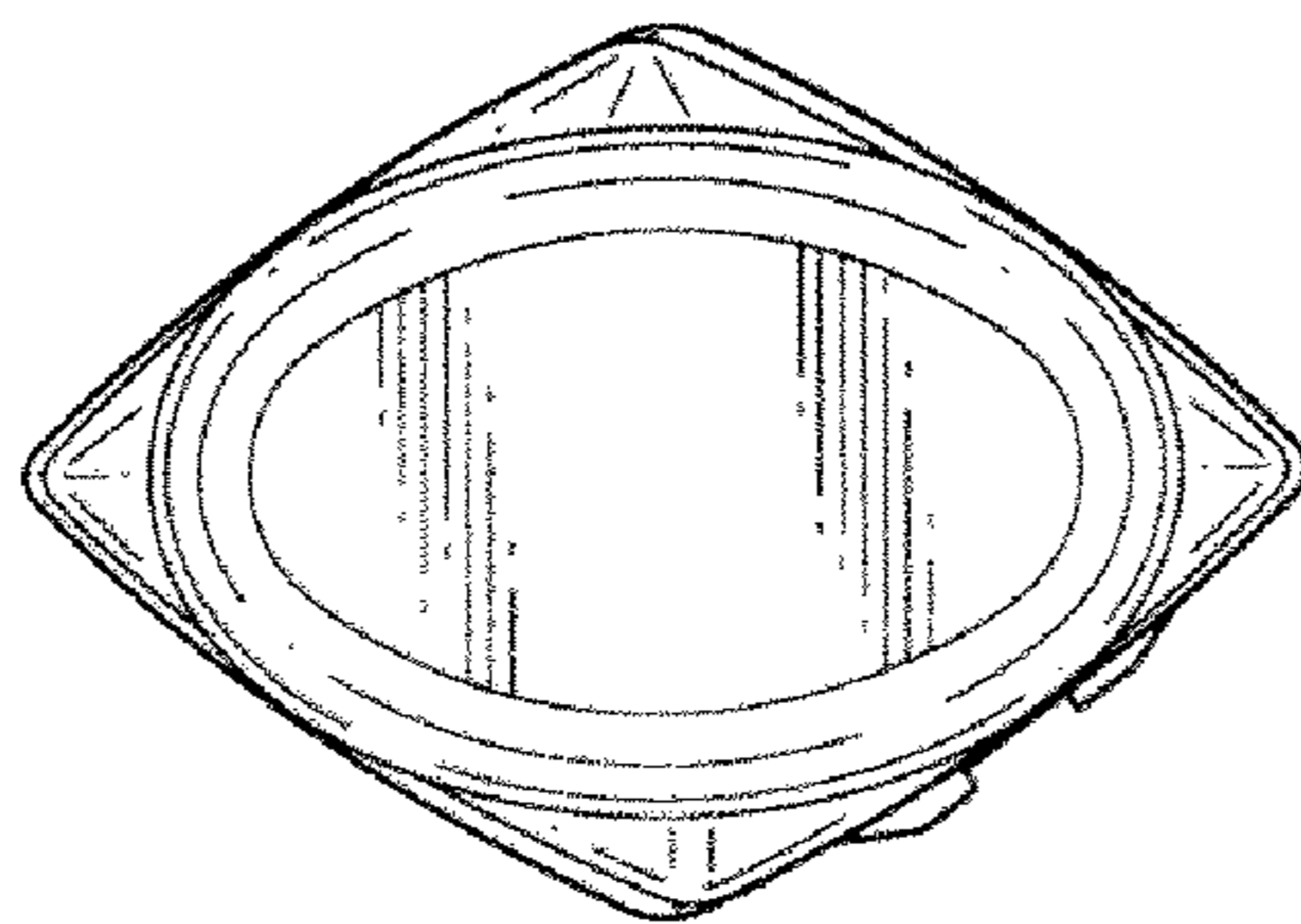


Fig. 5

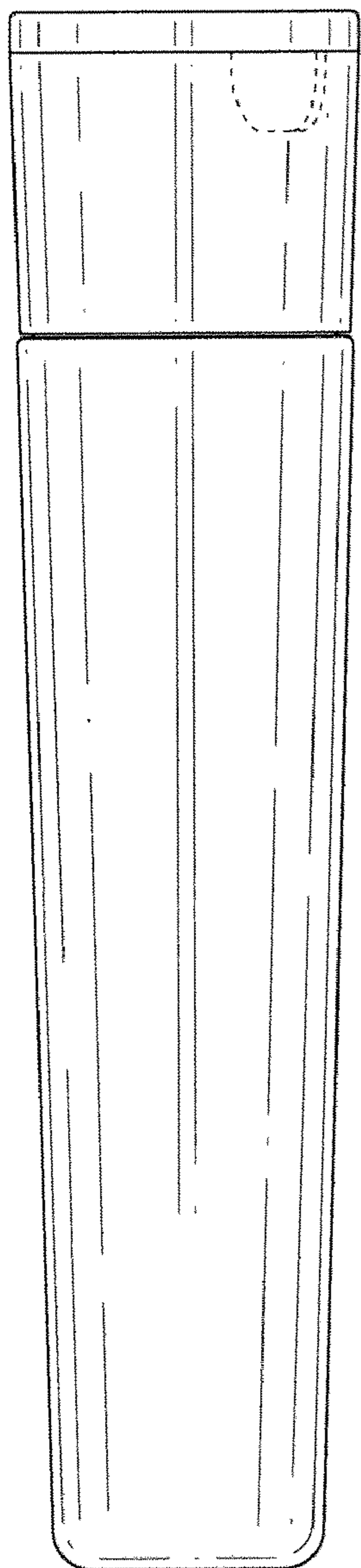


Fig. 6

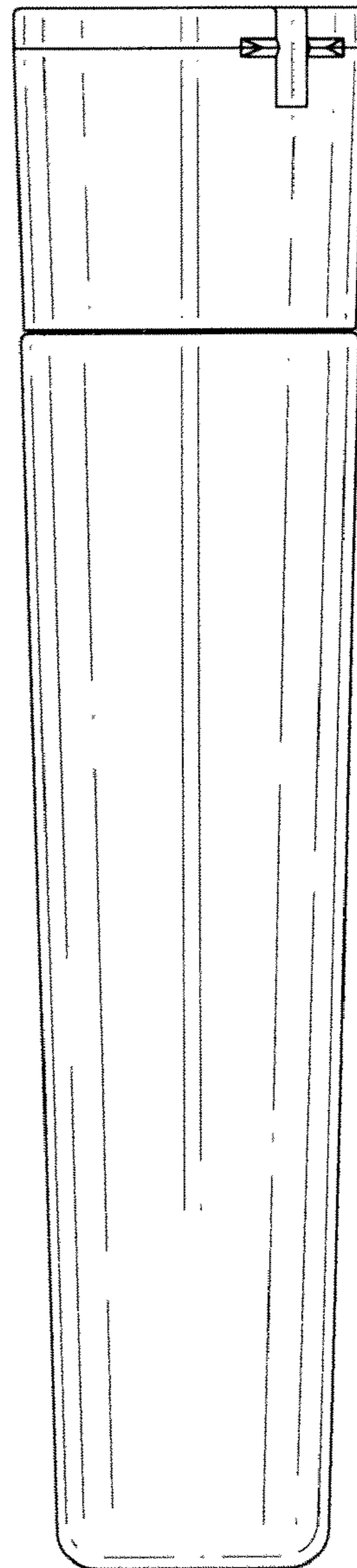


Fig. 7

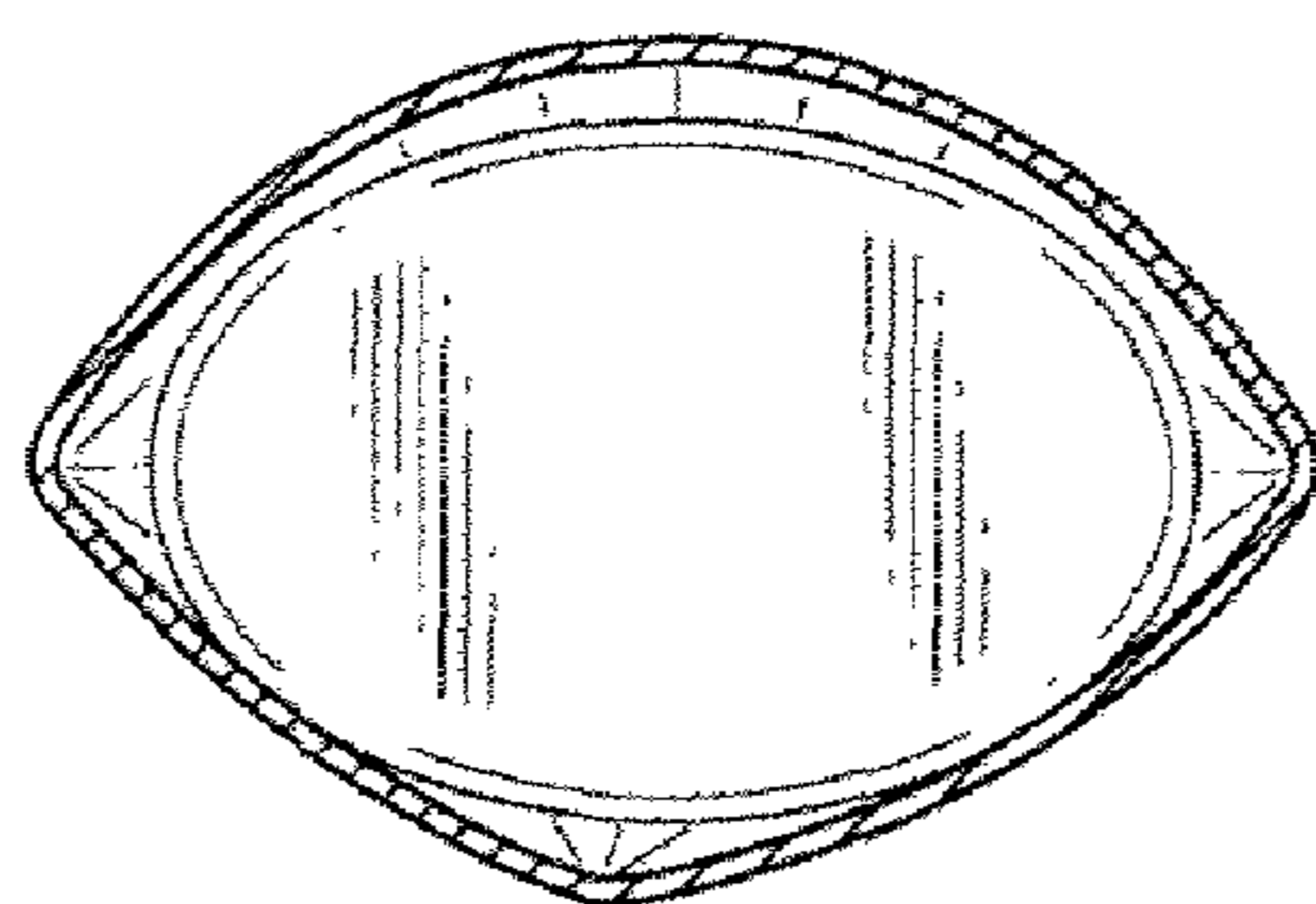


Fig. 8

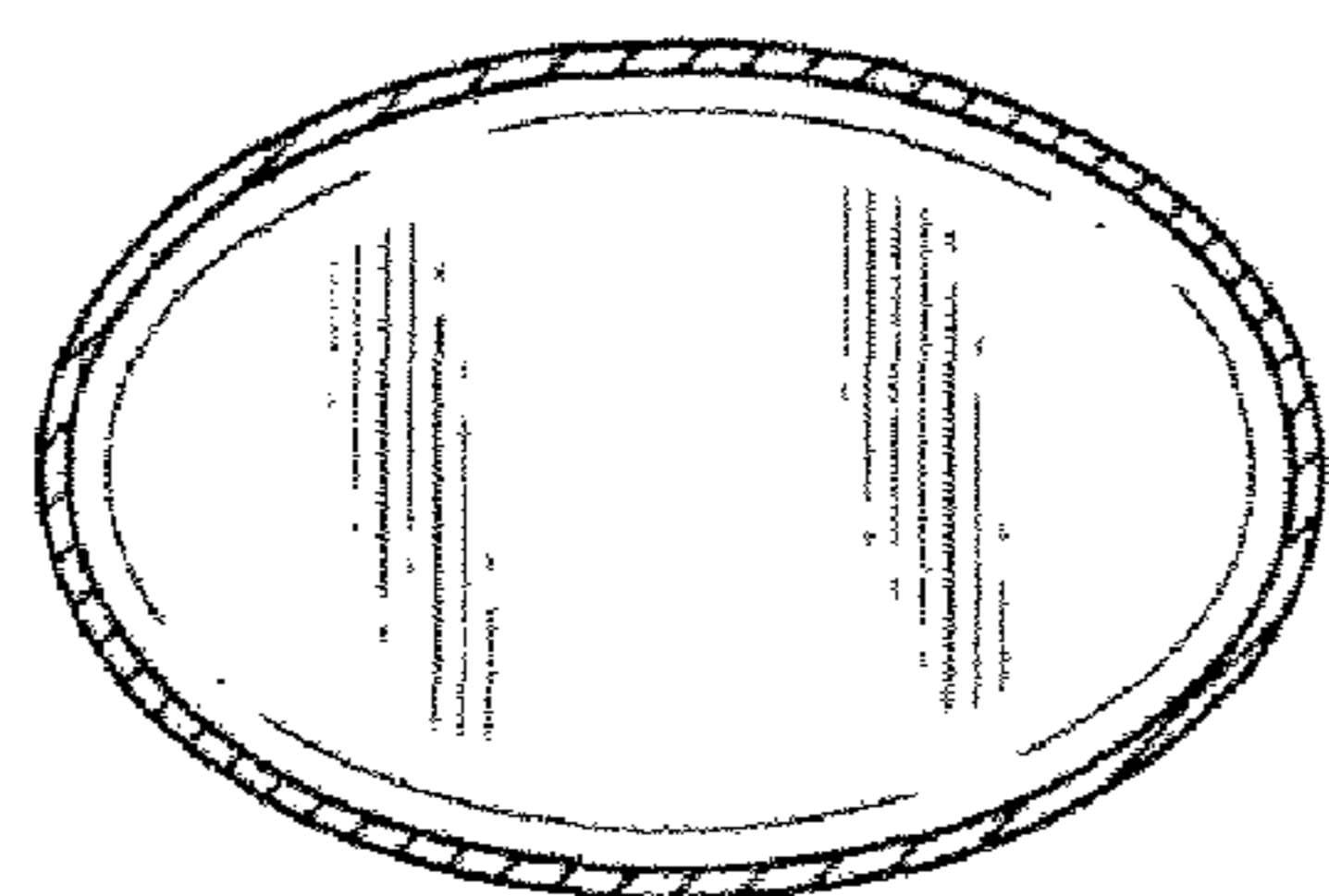


Fig. 9

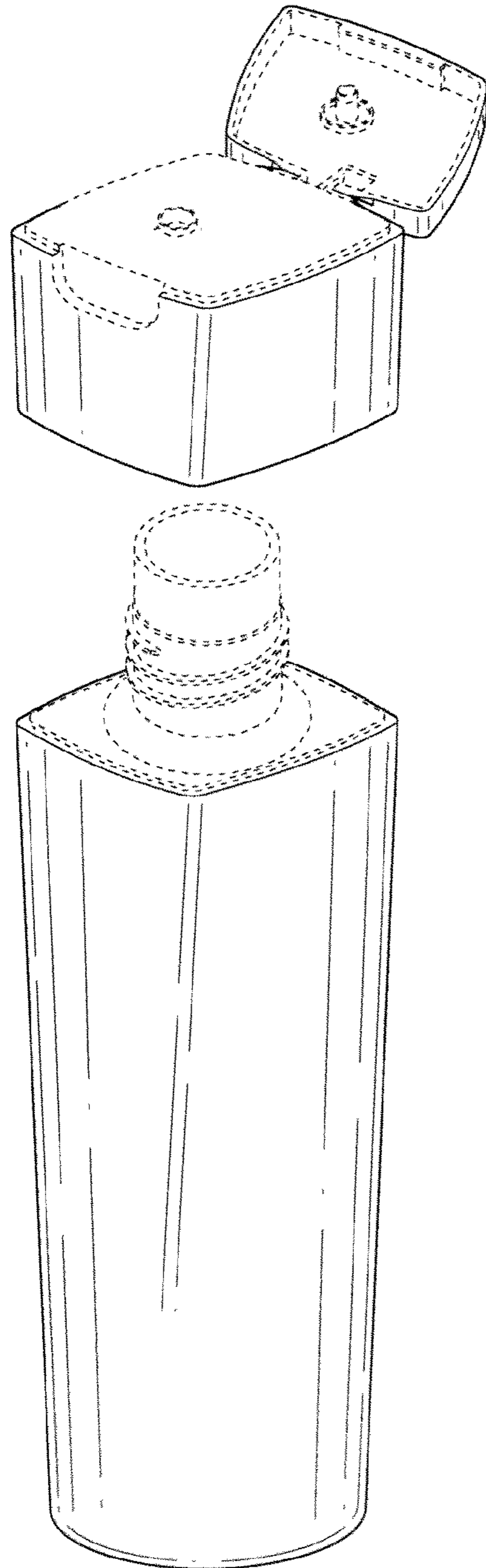


Fig. 10