



US00D587584S

(12) **United States Design Patent**  
**Jaichandra et al.**

(10) **Patent No.:** **US D587,584 S**  
(45) **Date of Patent:** **\*\* Mar. 3, 2009**

(54) **APPLICATOR REFILL**  
(75) Inventors: **Doraiswami Jaichandra**, Racine, WI (US); **Steven A. Zach**, Racine, WI (US); **Michael E. Klinkhammer**, Racine, WI (US); **Thomas A. Strash**, Kenosha, WI (US)  
(73) Assignee: **S.C. Johnson & Son, Inc.**, Racine, WI (US)

(\*\*) Term: **14 Years**  
(21) Appl. No.: **29/269,339**

(22) Filed: **Nov. 29, 2006**

**Related U.S. Application Data**

(63) Continuation-in-part of application No. 29/254,747, filed on Feb. 28, 2006, now Pat. No. Des. 537,722.

(51) **LOC (9) Cl.** ..... **09-01**

(52) **U.S. Cl.** ..... **D9/517; D9/516; D9/549; D9/551**

(58) **Field of Classification Search** ..... D9/669, D9/682-694, 718, 723-724, 905, 501, 516-517, D9/529-530, 537-540, 548-549, 551-552, D9/556-558; D1/102-103, 105, 130, 199; 215/12.1-12.2, 381-385; 220/4.27, 23.4, 220/23.83, 561, 761, 766, 770

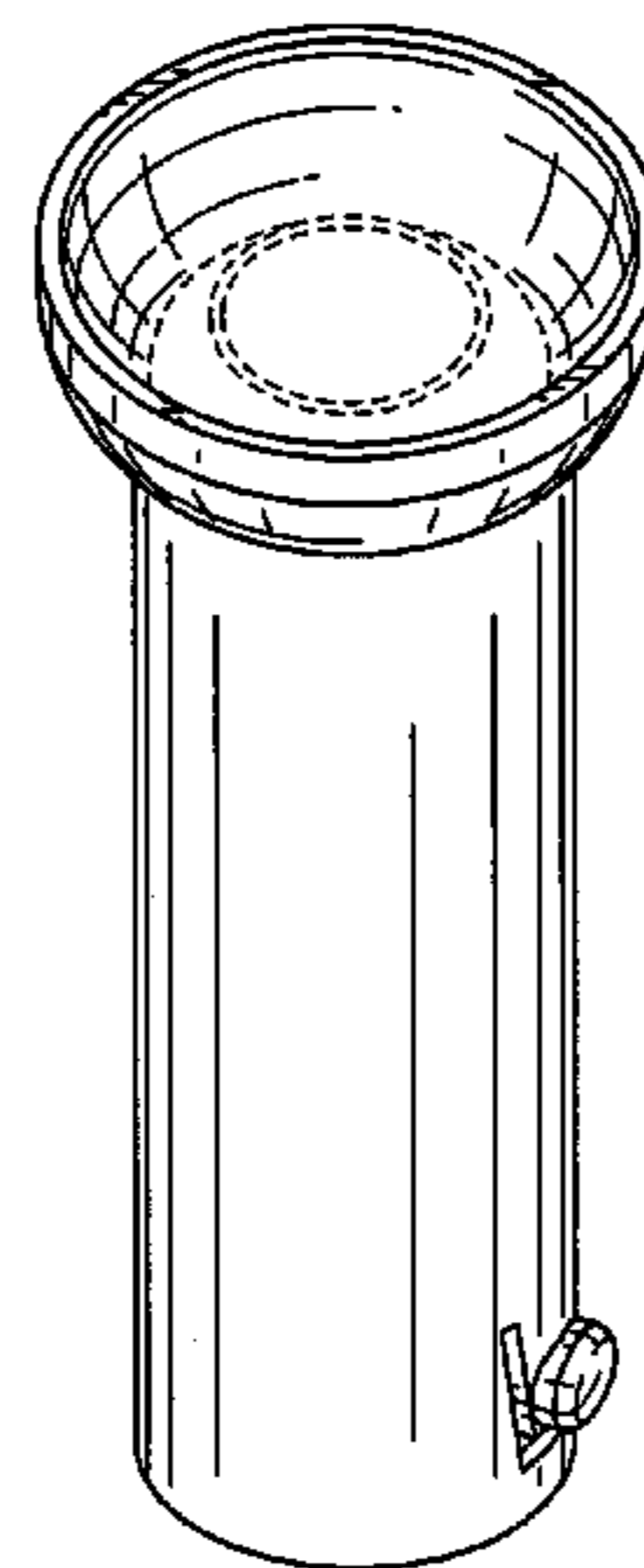
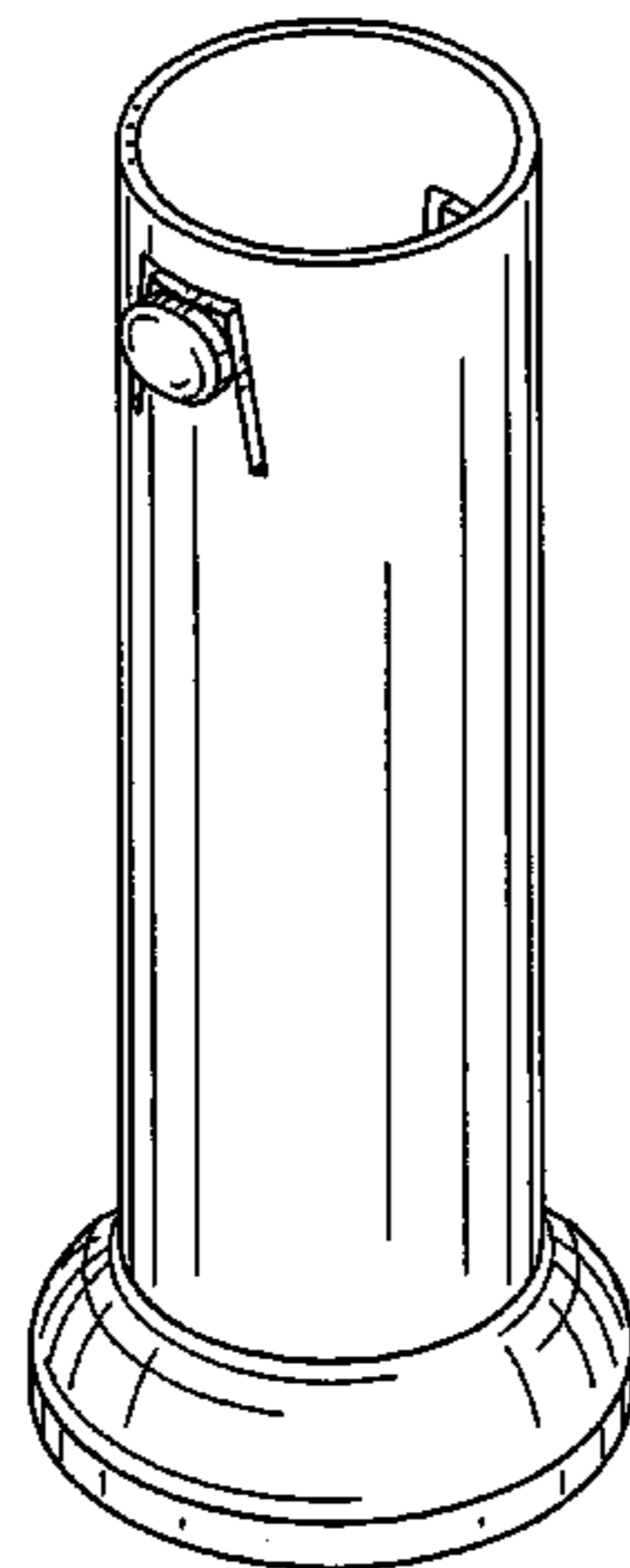
See application file for complete search history.

(56) **References Cited**

**U.S. PATENT DOCUMENTS**

D66,788 S \* 3/1925 Curran ..... D9/551  
D88,737 S \* 12/1932 McCormick ..... D9/564  
D121,604 S 7/1940 Miklos  
D203,417 S 1/1966 Linn  
3,229,865 A 1/1966 Heisler et al.  
3,471,065 A \* 10/1969 Malone ..... 222/321.1  
3,926,343 A 12/1975 Kleiner  
4,252,507 A 2/1981 Knickerbocker  
4,273,257 A 6/1981 Smith et al.  
4,445,626 A 5/1984 Steffen et al.

4,485,943 A 12/1984 Czech  
4,658,993 A 4/1987 Vlasich  
4,694,977 A 9/1987 Graf et al.  
D292,372 S 10/1987 Sykes  
D303,627 S 9/1989 Wilkinson  
4,944,430 A 7/1990 Graf et al.  
D310,022 S 8/1990 Anderson  
4,961,521 A \* 10/1990 Eckman ..... 222/142.5  
4,962,868 A 10/1990 Borchard  
D318,731 S 7/1991 Chapin  
5,099,999 A 3/1992 Balien  
D328,028 S 7/1992 Driscoll  
5,141,129 A 8/1992 Jennings  
D335,450 S 5/1993 Pezzoli et al.  
5,219,448 A 6/1993 Hackmann  
D337,274 S \* 7/1993 Thatcher ..... D9/539  
D353,099 S \* 12/1994 Poisson ..... D9/542  
D357,189 S 4/1995 Daucourt  
D357,584 S \* 4/1995 Swingler ..... D28/88 X  
5,421,663 A 6/1995 Bravo  
D362,626 S 9/1995 Rossi  
D366,827 S 2/1996 Rothman  
D375,679 S 11/1996 Russell  
5,709,306 A \* 1/1998 Hofmann ..... 206/536  
5,876,137 A 3/1999 Byrd  
D425,411 S 5/2000 May  
D428,656 S 7/2000 Alexander et al.  
D435,441 S 12/2000 Yoon  
D437,219 S \* 2/2001 Gallart et al. .... D9/428  
6,187,350 B1 2/2001 Gallart et al.  
6,221,407 B1 \* 4/2001 Gallart et al. .... 426/91  
6,273,152 B1 8/2001 Buehler et al.  
D450,591 S \* 11/2001 Escola Gallart et al. .... D9/504  
D463,284 S 9/2002 Poisson et al.  
D466,401 S 12/2002 Cohen et al.  
D468,640 S 1/2003 Mitchell et al.  
D477,216 S 7/2003 Gronwall  
D477,231 S 7/2003 Muller  
D477,529 S \* 7/2003 Chan ..... D9/668  
D482,620 S 11/2003 Kleckauskas et al.  
6,667,286 B1 12/2003 Dettinger et al.  
D493,369 S 7/2004 Murphy  
D507,490 S 7/2005 Mero et al.  
D511,090 S \* 11/2005 Devine ..... D9/417  
D512,918 S 12/2005 Ruiz  
D513,185 S 12/2005 Ruiz  
D513,187 S 12/2005 Ruiz  
D515,869 S \* 2/2006 Mills et al. .... D7/510  
D516,430 S 3/2006 Ruiz



D537,344	S	*	2/2007	O'Brien et al.	.....	D9/516
D537,722	S	*	3/2007	Jaichandra et al.	.....	D9/517
D538,164	S	*	3/2007	Zach et al.	.....	D9/517
D539,147	S	*	3/2007	O'Brien	.....	D9/516
D578,394	S	*	10/2008	Shurtleff et al.	.....	D9/516
2007/0007302	A1		1/2007	Jaichandra et al.		

FOREIGN PATENT DOCUMENTS

DE			3321210	A1		12/1984
EP			457 452	A2		11/1991
EP			1 258 571	A2		11/2002
WO			WO 03/043906	A1		5/2003
WO			WO 2004/043825	A1		5/2004

OTHER PUBLICATIONS

English Translation of WO 2004/043825 A1, For PCT WO 2004/043825 which is dated May 27, 2004.  
 English Abstract for EP 1 258 571 A2, For OHIM EP 1 258 571 which is date Apr. 30, 2002.

\* cited by examiner

Primary Examiner—Carol Rademaker

(57) CLAIM

The ornamental design for an applicator refill, as shown and described.

DESCRIPTION

The nature of this product is an applicator refill used in an applicator for applying cleaning and/or disinfecting and/or fragranting adhesive gel to the inside surface of a toilet bowl.

FIG. 1 is a top, front, right side perspective view of a first embodiment of an applicator refill showing our new design;  
 FIG. 2 is a bottom, front, right side perspective view thereof;  
 FIG. 3 is a front elevational view thereof;  
 FIG. 4 is a rear elevational view thereof;  
 FIG. 5 is a right side elevational view thereof, the left side elevational view being a mirror image;  
 FIG. 6 is a top plan view thereof;

FIG. 7 is a bottom plan view thereof;  
 FIG. 8 is a top, front, right side perspective view of a second embodiment of an applicator refill showing our new design;  
 FIG. 9 is a bottom, front, right side perspective view thereof;  
 FIG. 10 is a front elevational view thereof;  
 FIG. 11 is a rear elevational view thereof;  
 FIG. 12 is a right side elevational view thereof, the left side elevational view being a mirror image;  
 FIG. 13 is a top plan view thereof;  
 FIG. 14 is a bottom plan view thereof;  
 FIG. 15 is a top, front, right side perspective view of a third embodiment of an applicator refill showing our new design;  
 FIG. 16 is a bottom, front, right side perspective view thereof;  
 FIG. 17 is a front elevational view thereof;  
 FIG. 18 is a rear elevational view thereof;  
 FIG. 19 is a right side elevational view thereof, the left side elevational view being a mirror image;  
 FIG. 20 is a top plan view thereof;  
 FIG. 21 is a bottom plan view thereof;  
 FIG. 22 is a top, front, right side perspective view of a fourth embodiment of an applicator refill showing our new design;  
 FIG. 23 is a bottom, front, right side perspective view thereof;  
 FIG. 24 is a front elevational view thereof;  
 FIG. 25 is a rear elevational view thereof;  
 FIG. 26 is a right side elevational view thereof, the left side elevational view being a mirror image;  
 FIG. 27 is a top plan view thereof; and,  
 FIG. 28 is a bottom plan view thereof.  
 The broken lines shown in the drawings are included for the purpose of showing environmental structure that forms no part of the claimed design.

1 Claim, 12 Drawing Sheets

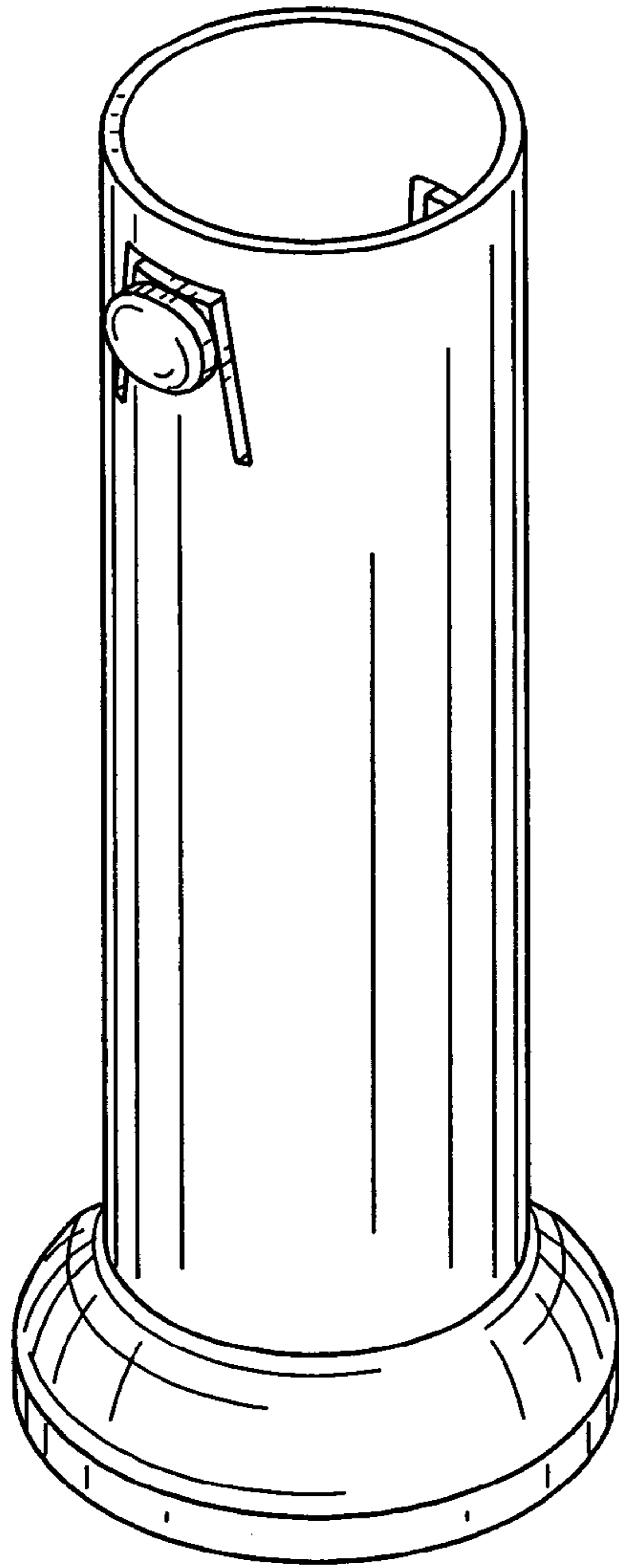


FIG. 1

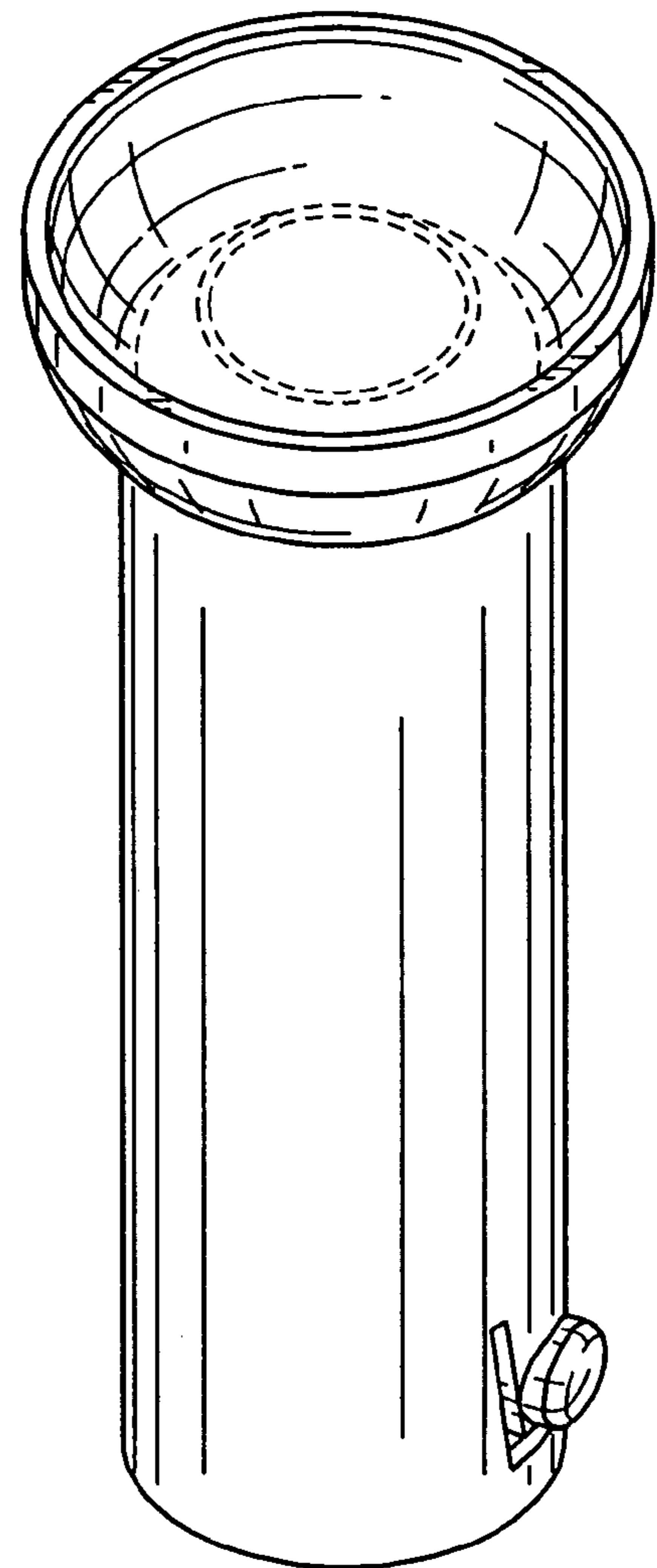


FIG. 2

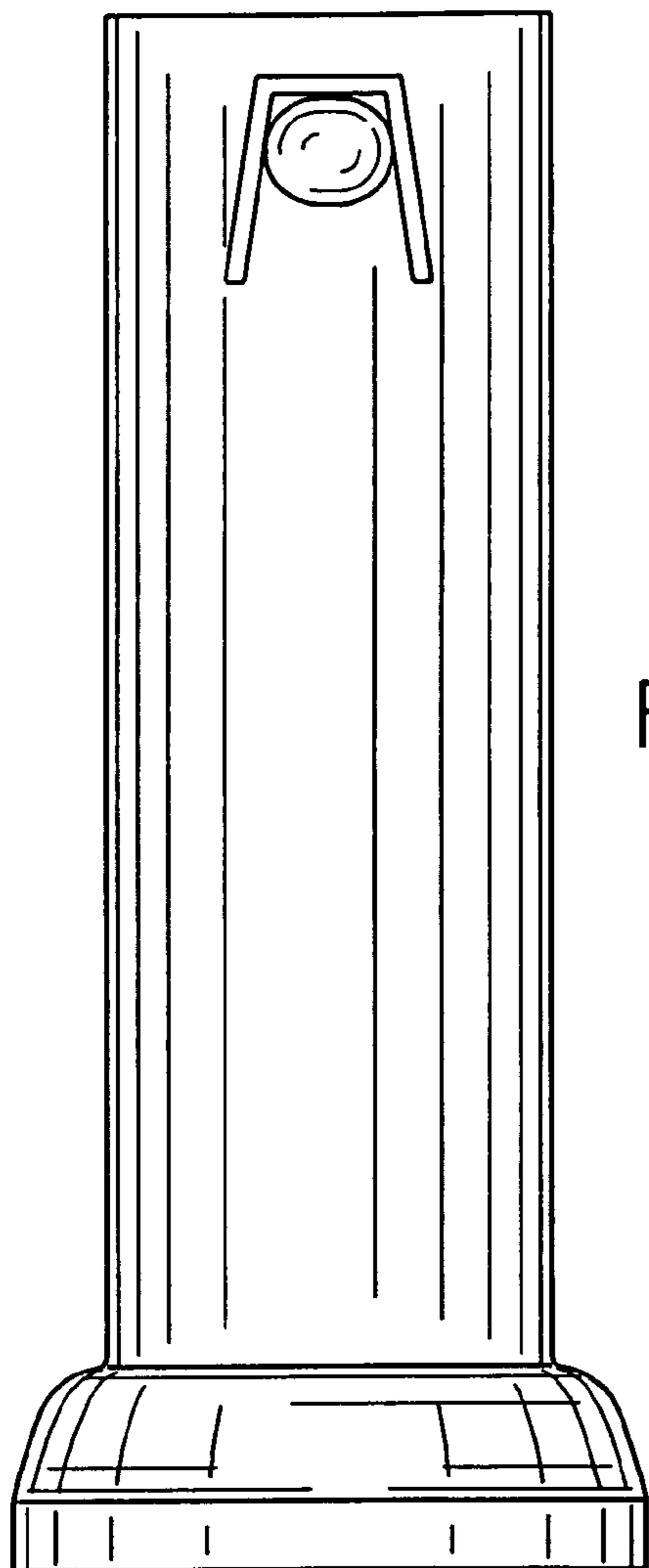


FIG. 3

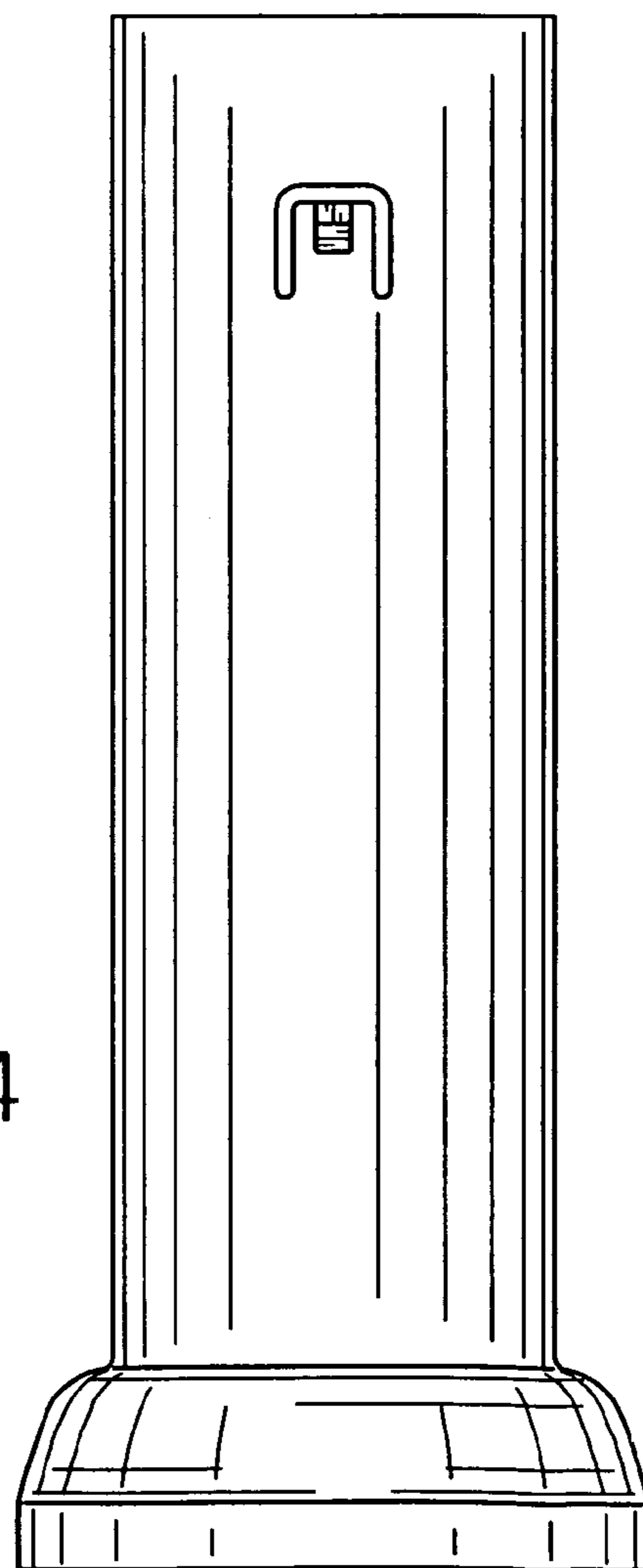


FIG. 4

FIG. 5

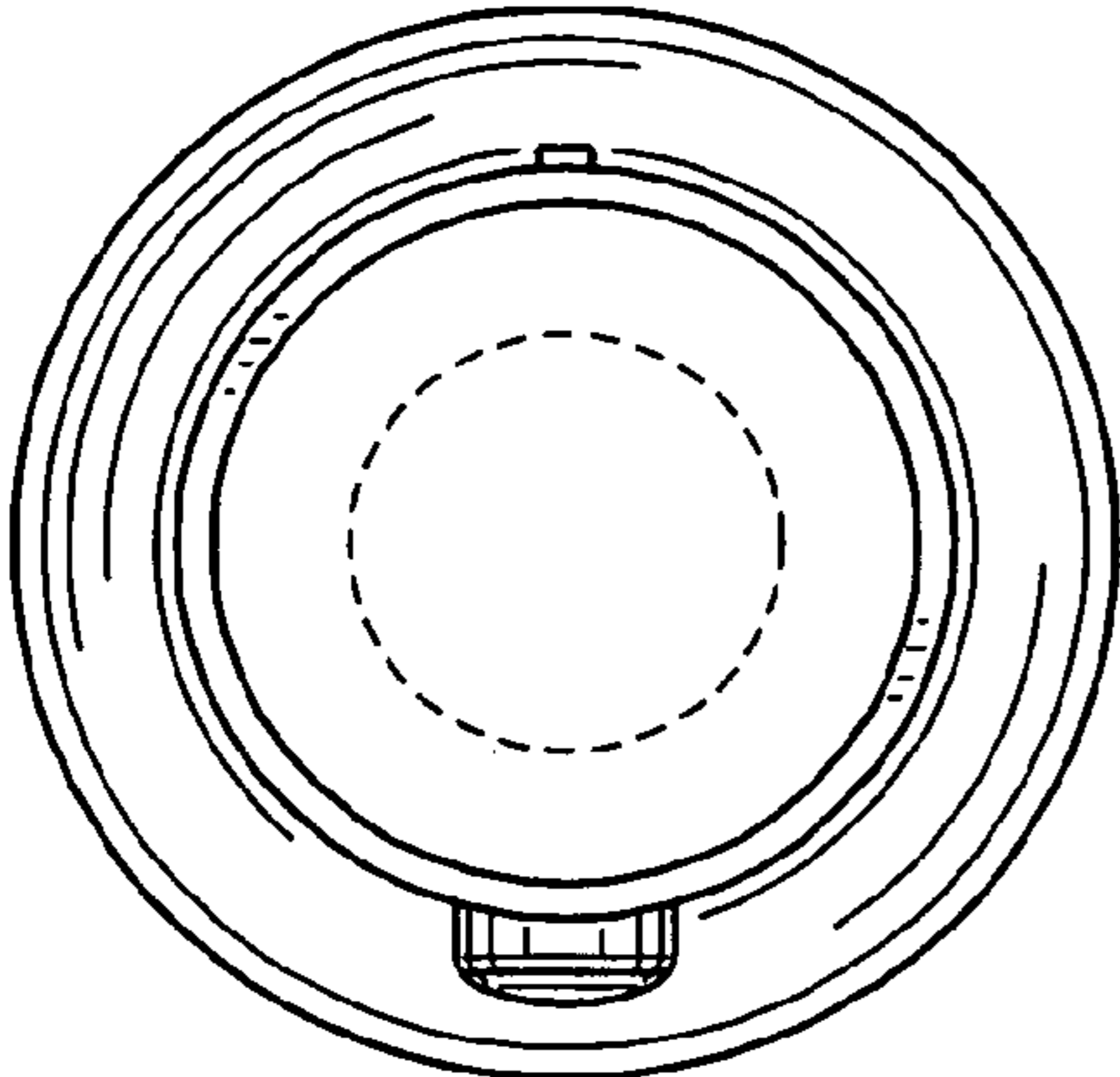
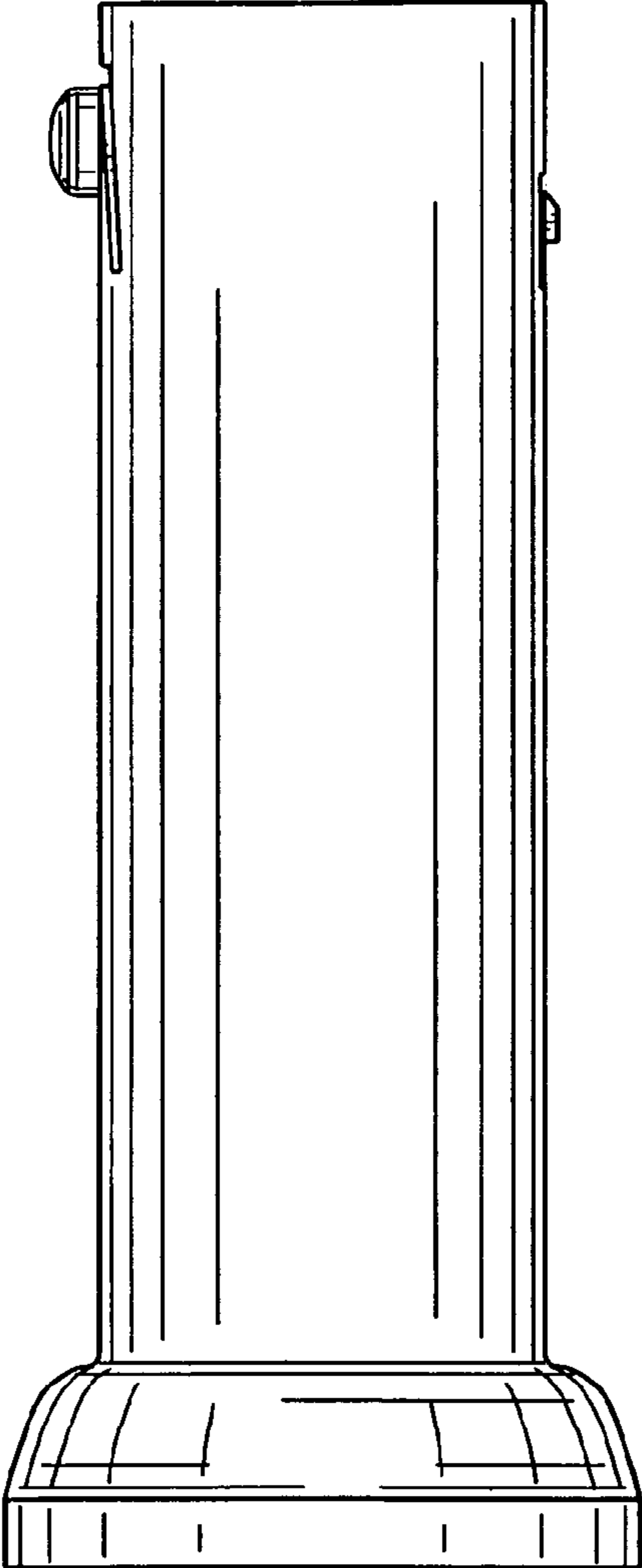


FIG. 6

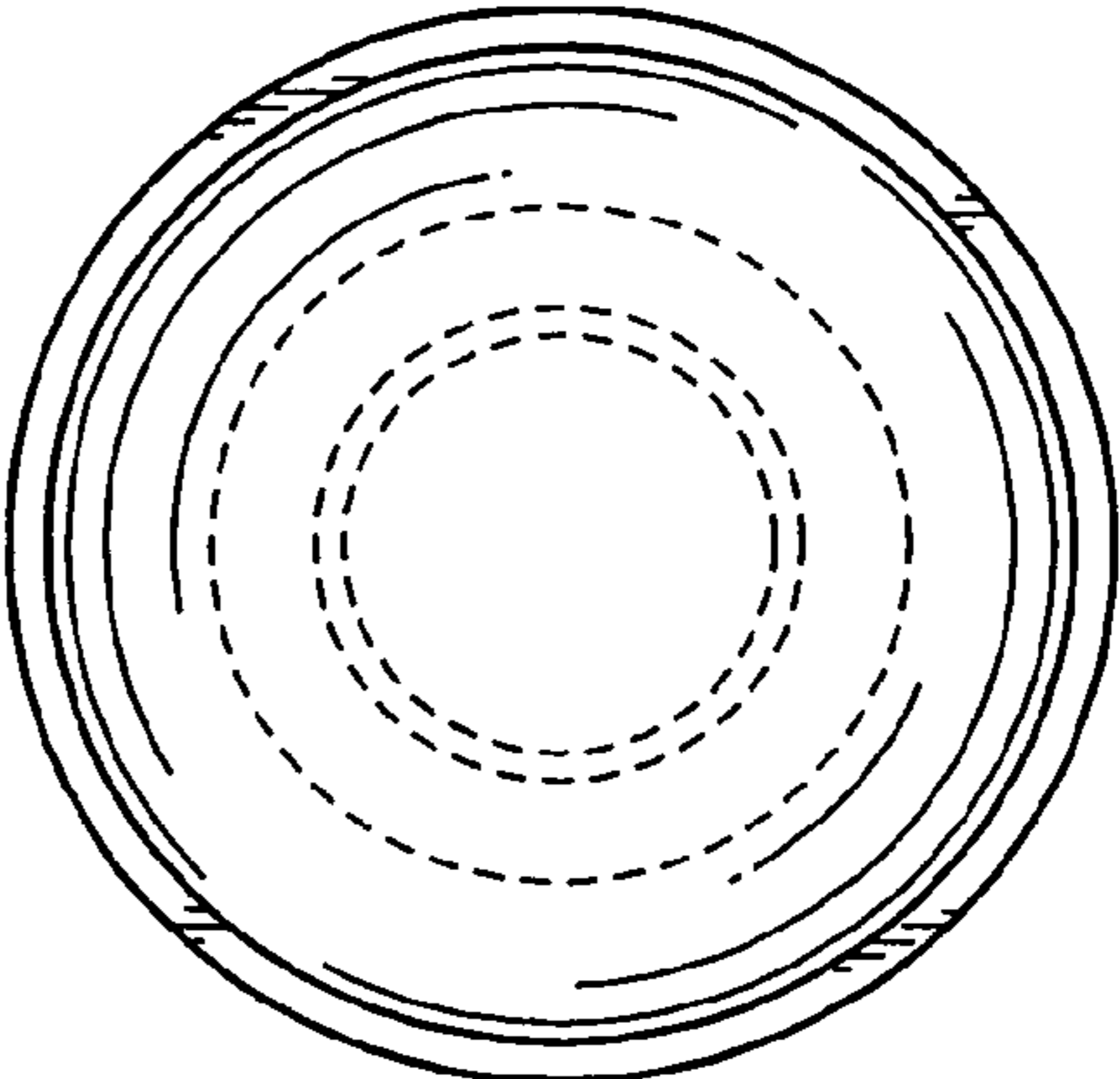


FIG. 7

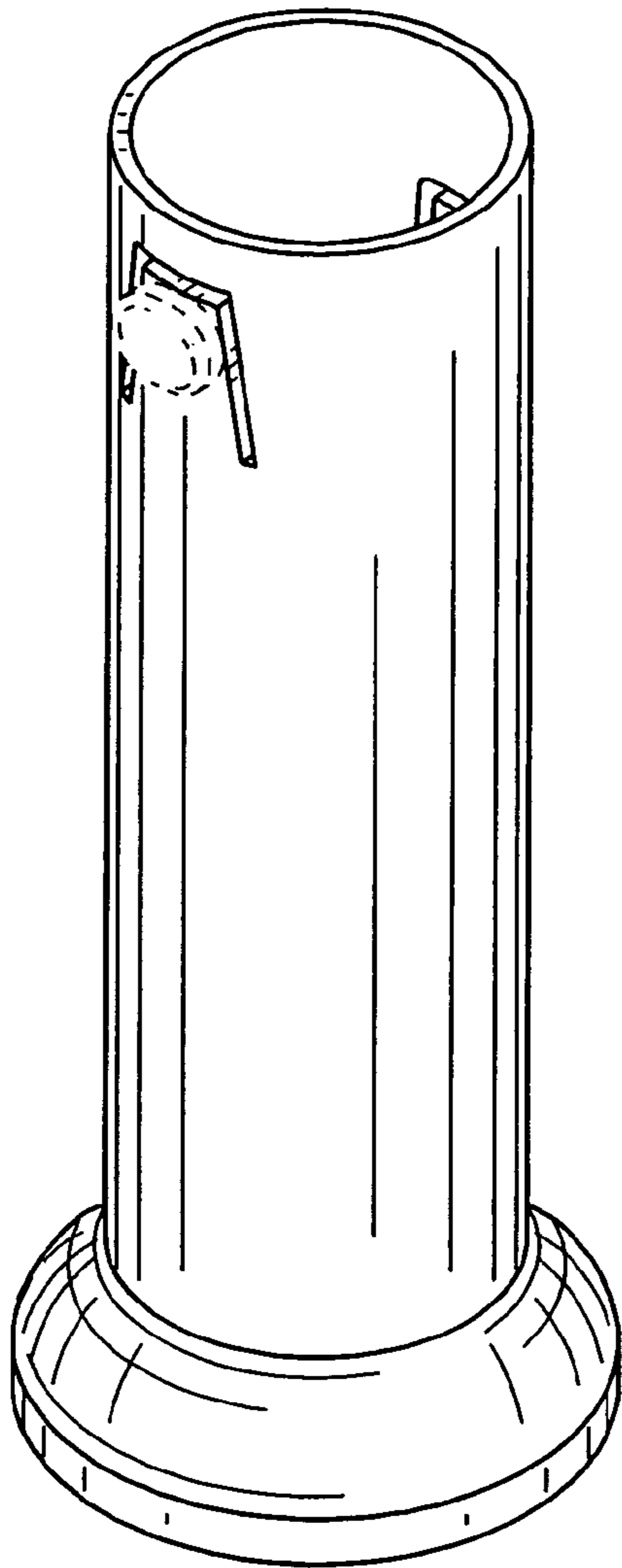


FIG. 8

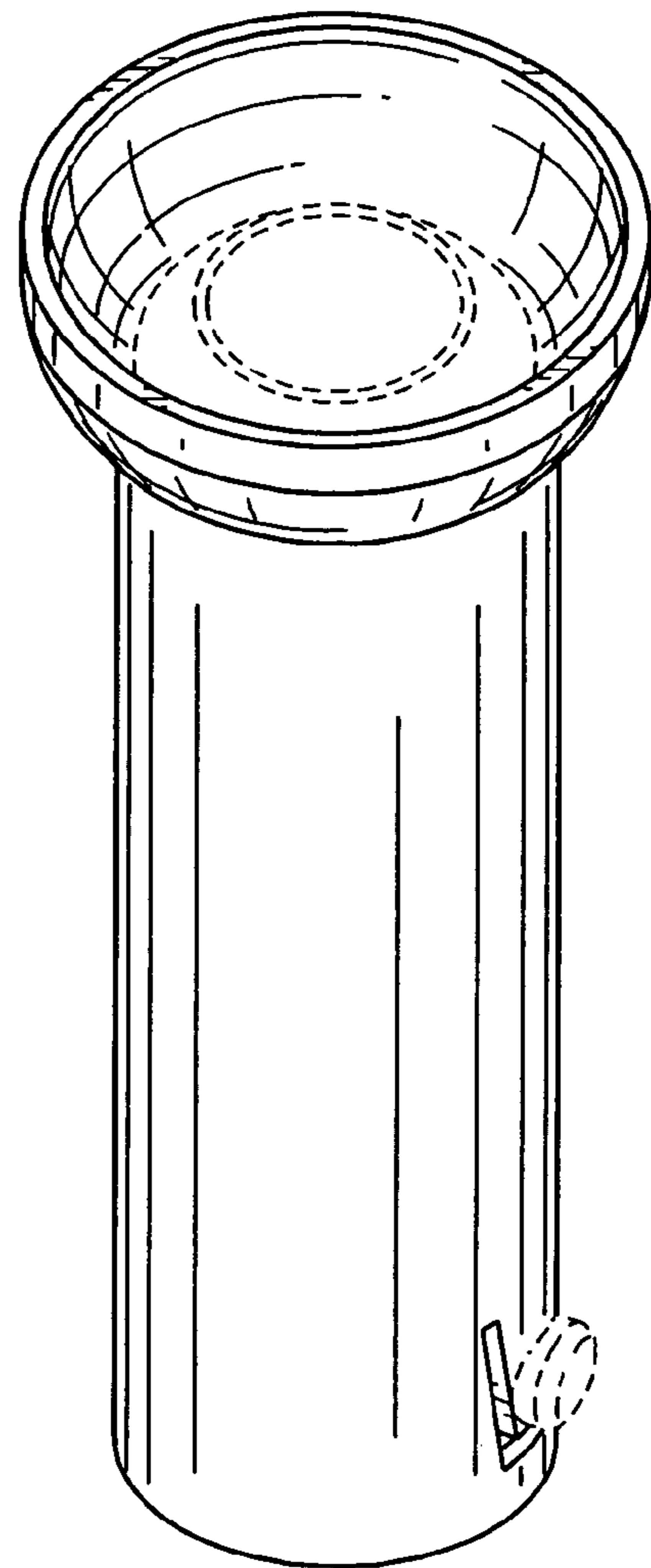


FIG. 9

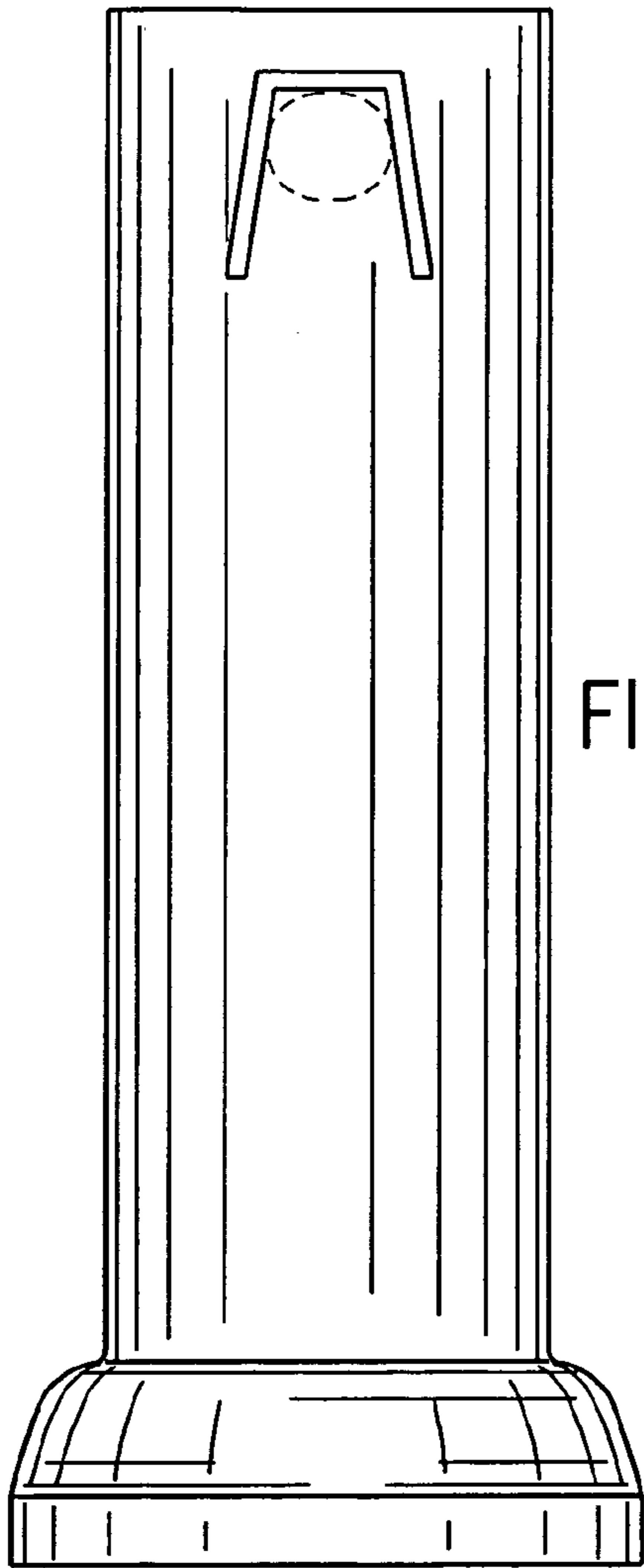


FIG. 10

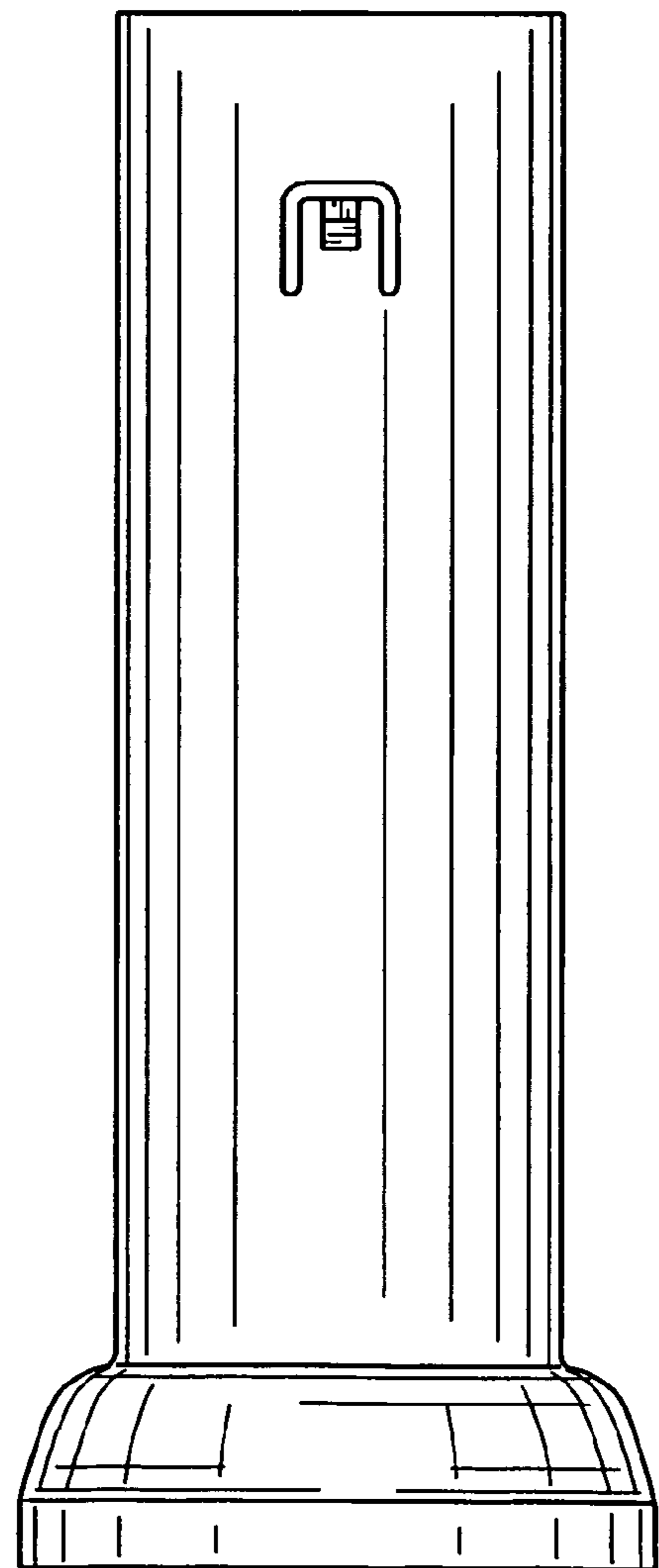


FIG. 11

FIG. 12

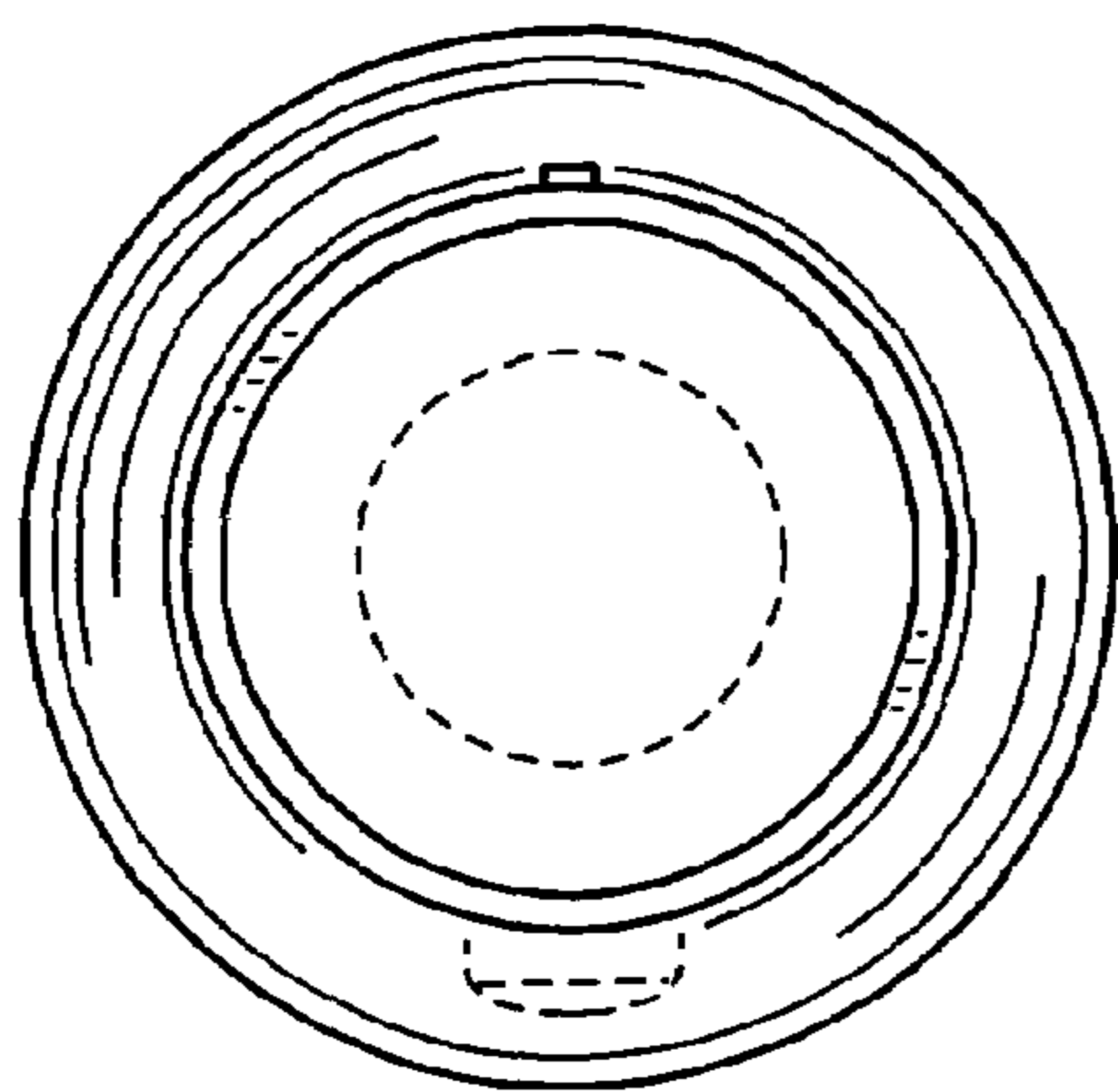
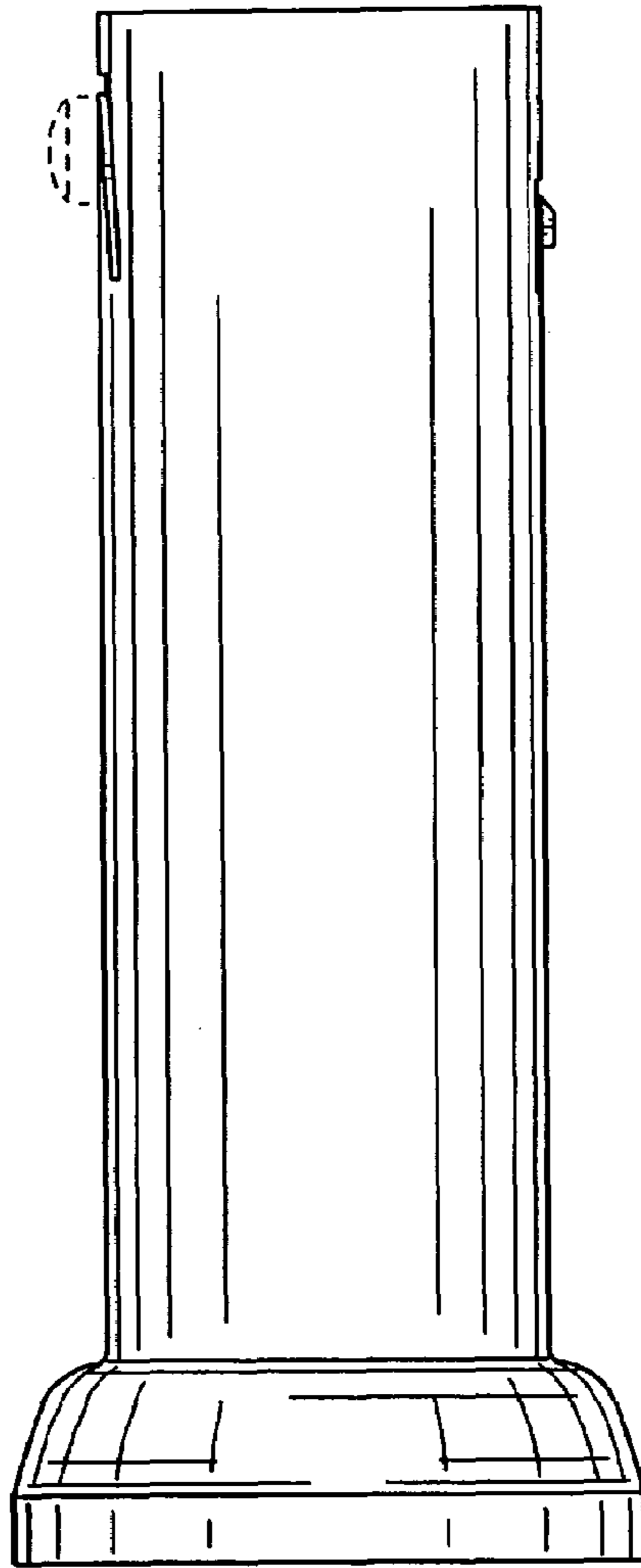


FIG. 13

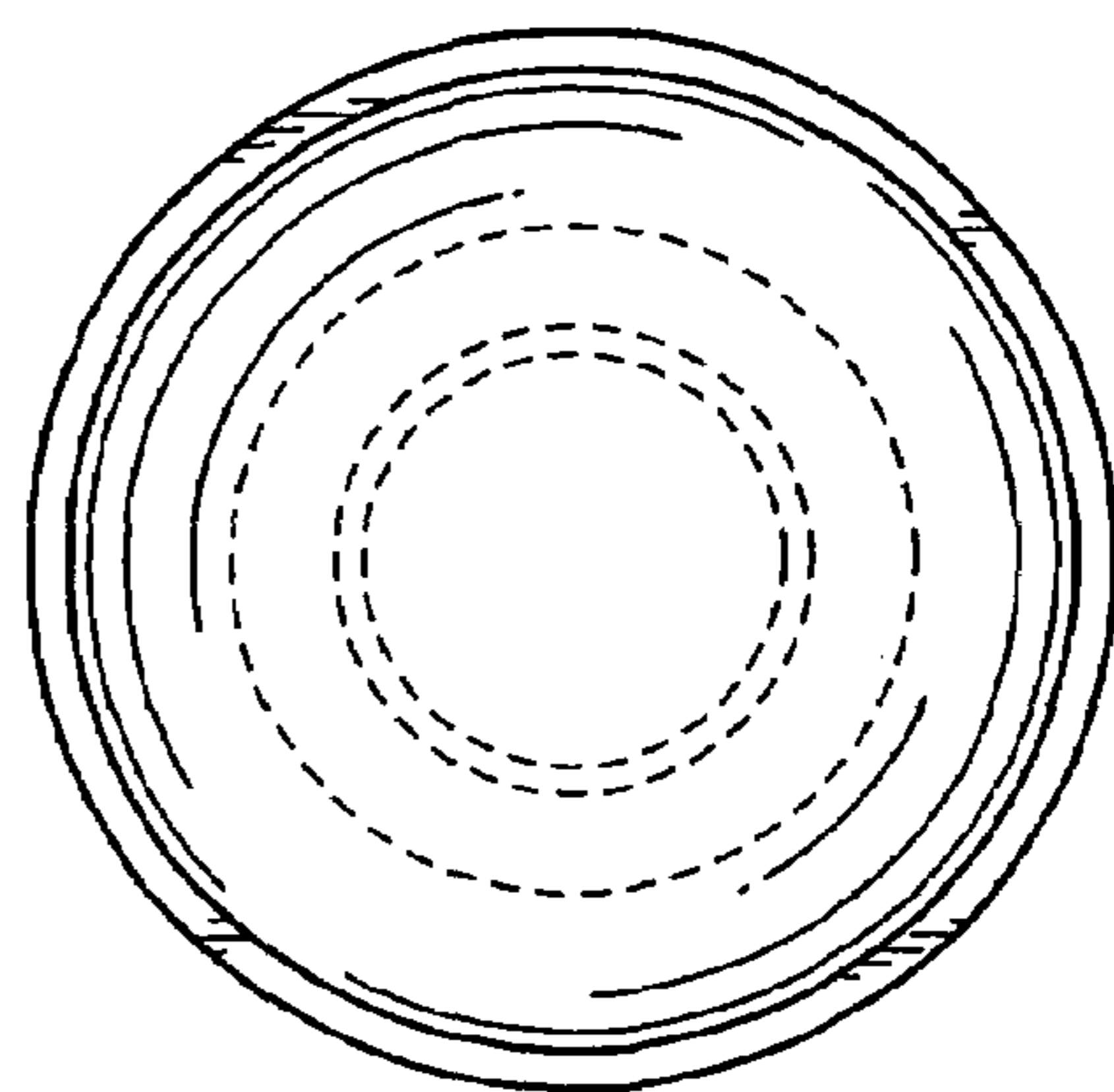


FIG. 14



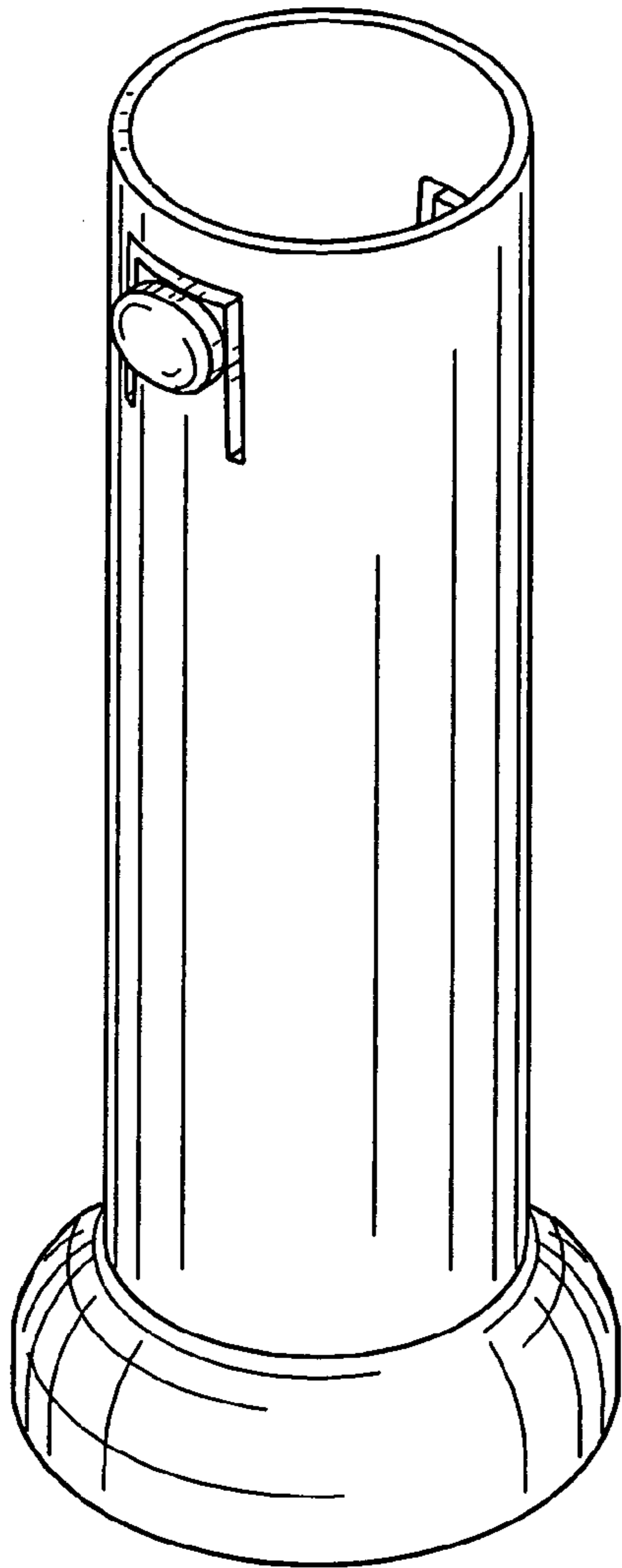


FIG. 15

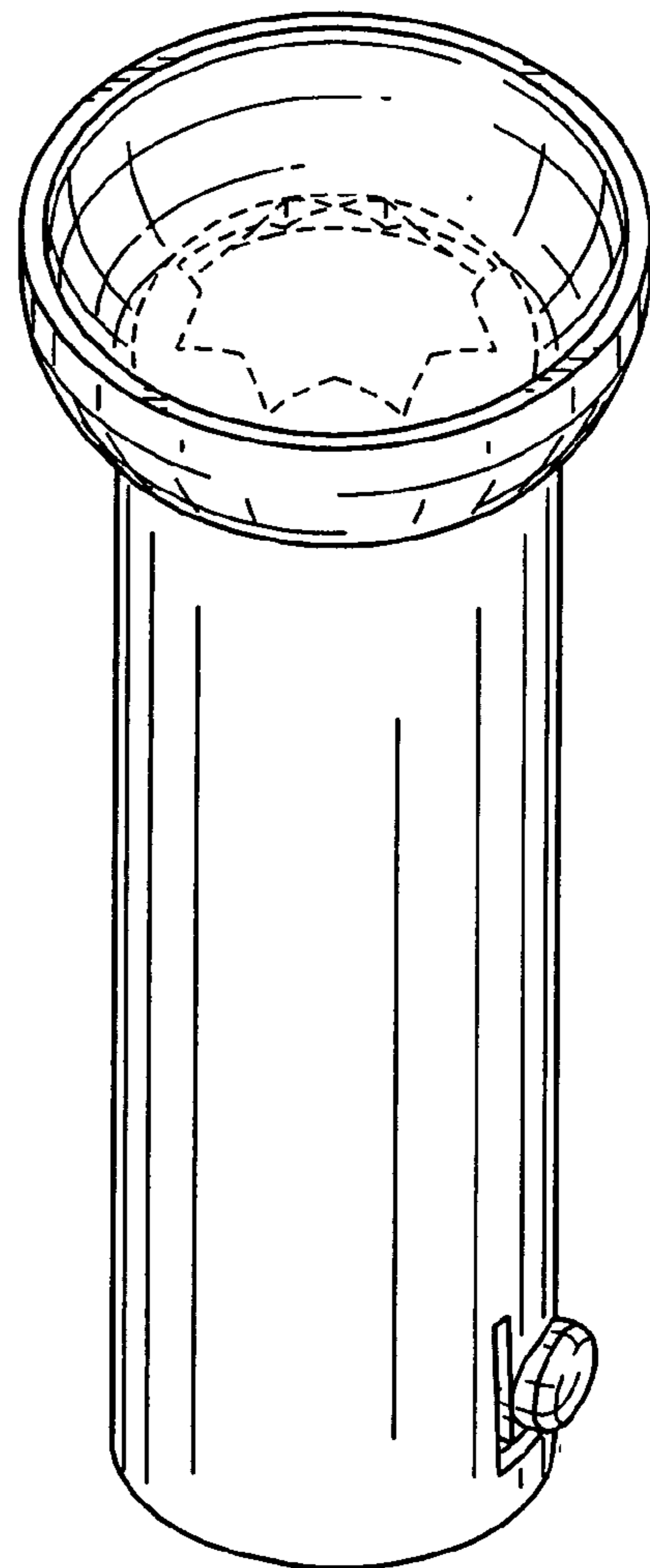


FIG. 16

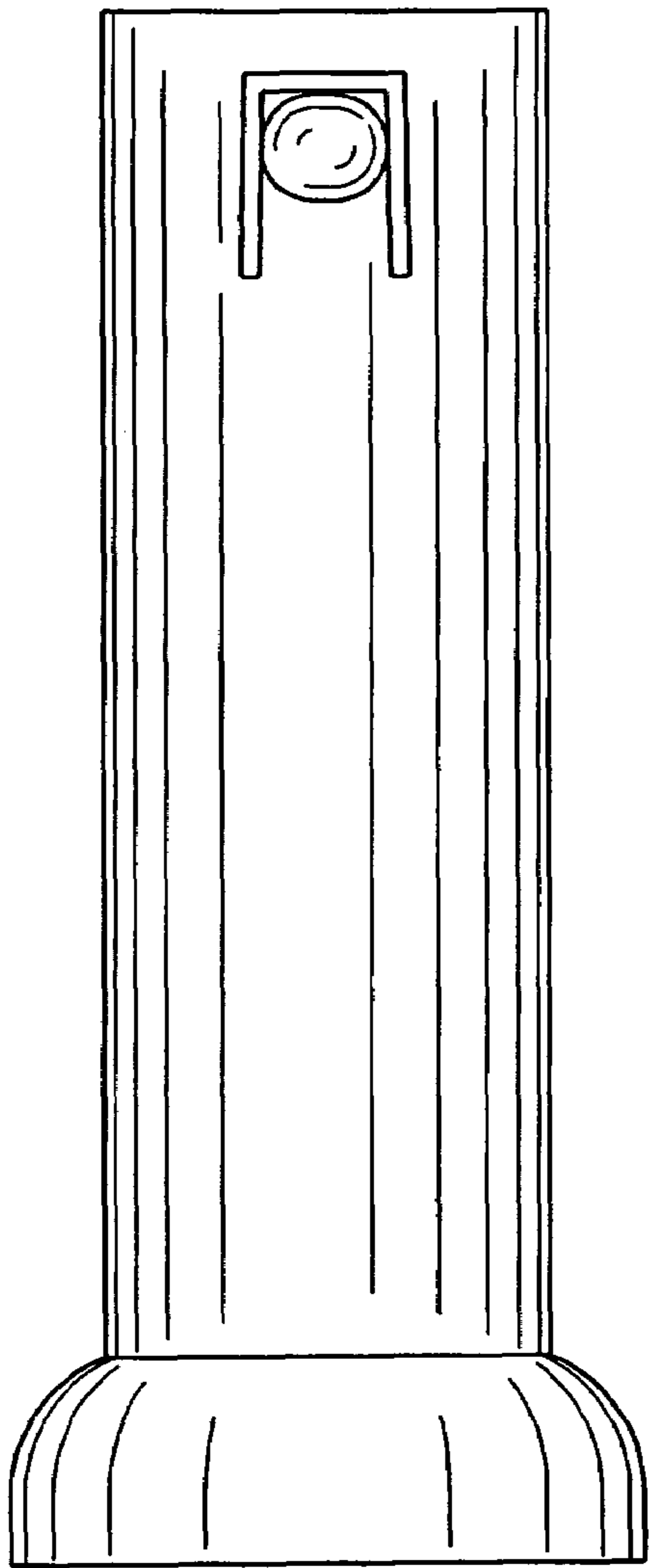


FIG. 17

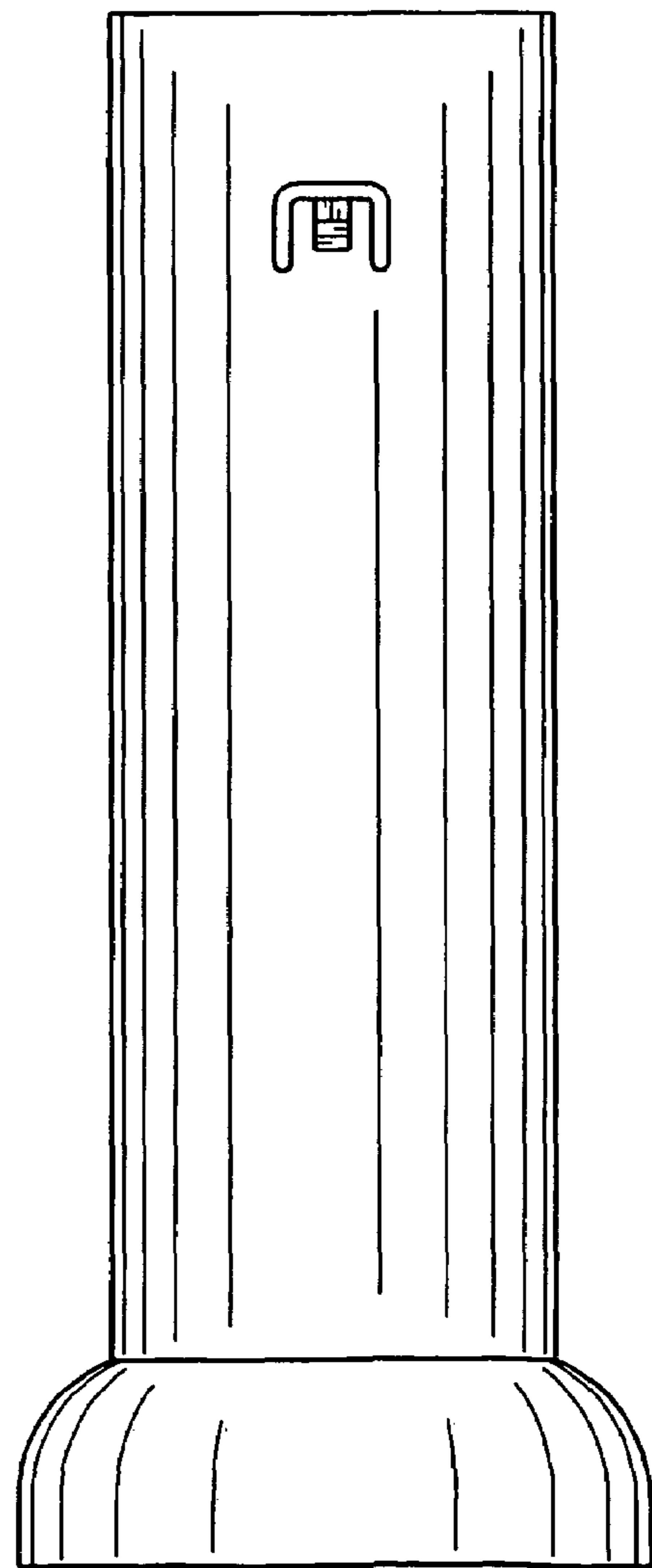


FIG. 18

FIG. 19

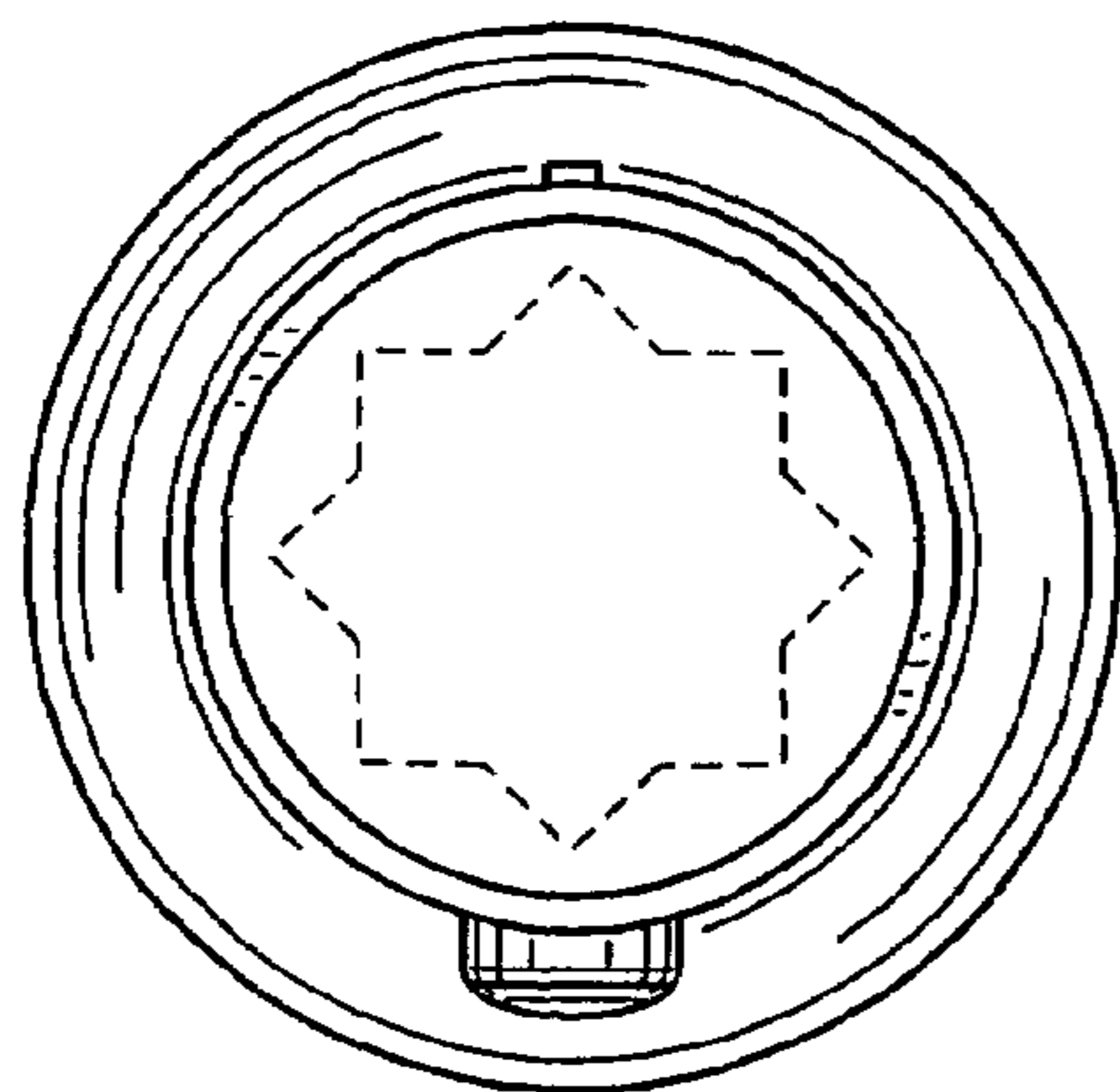
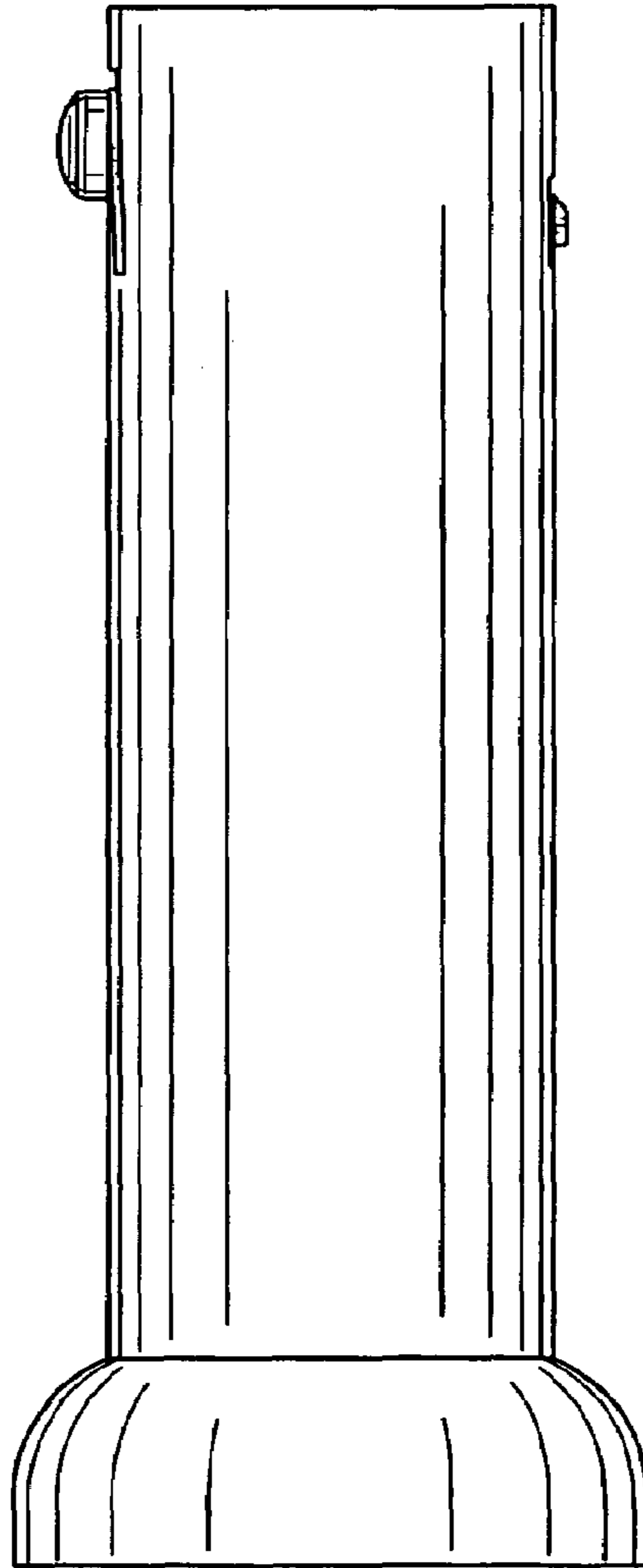


FIG. 20

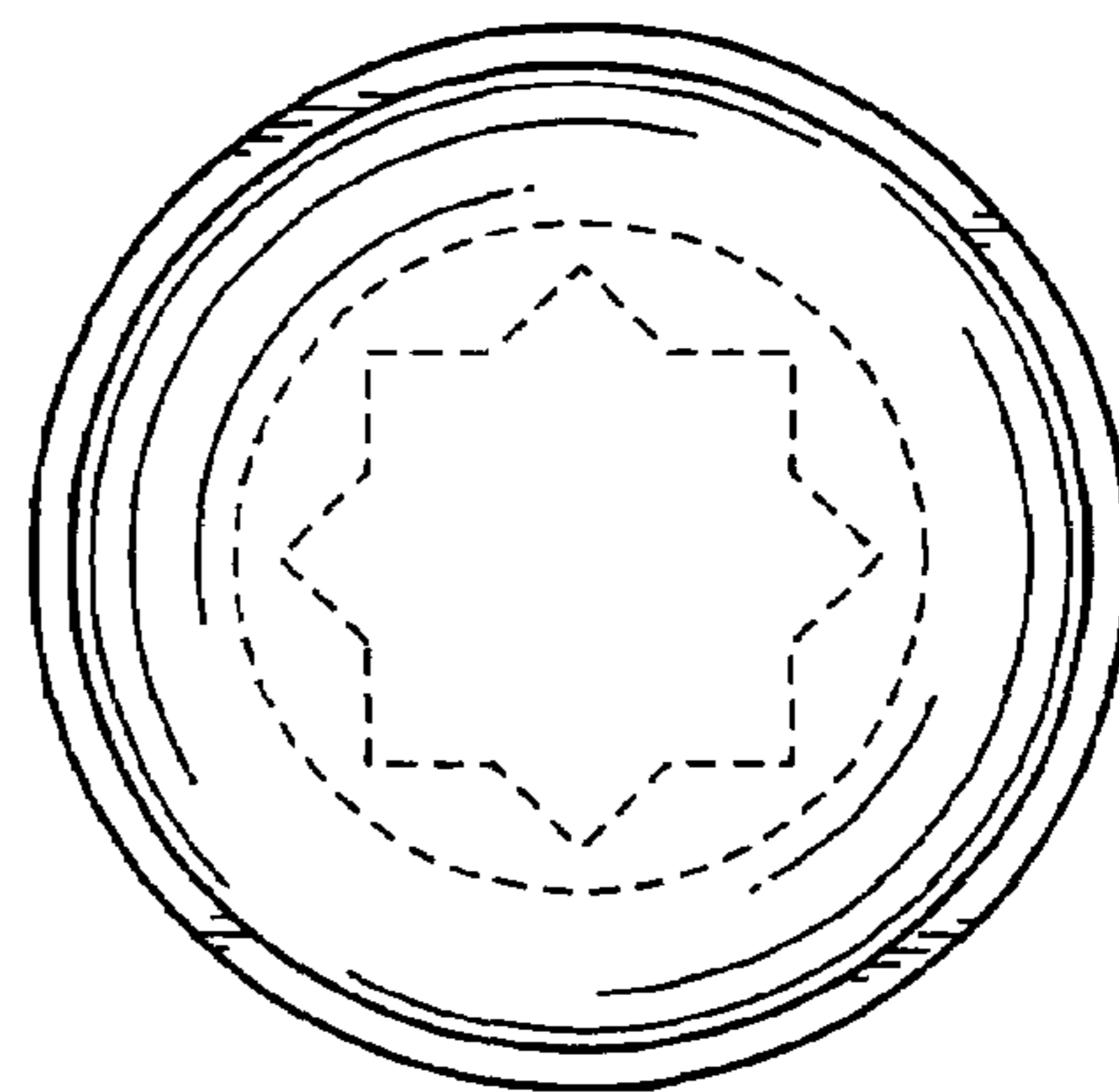


FIG. 21

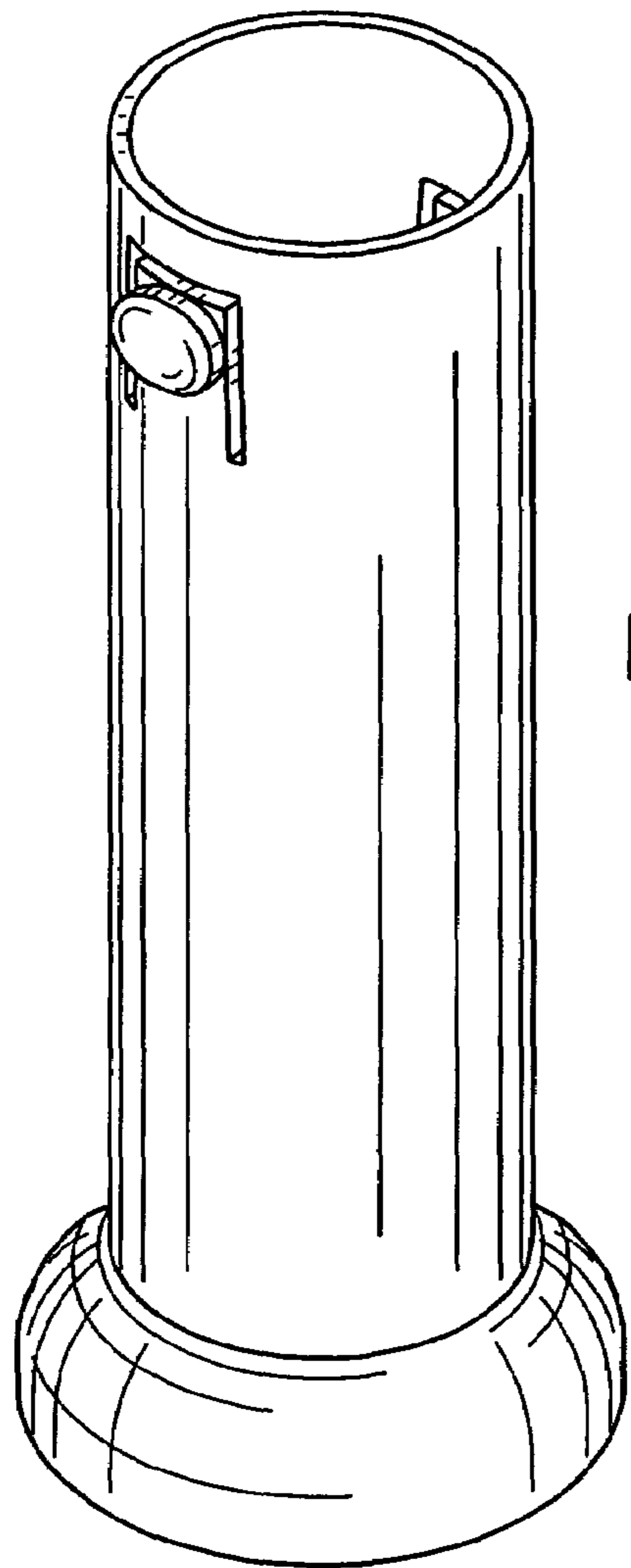


FIG. 22

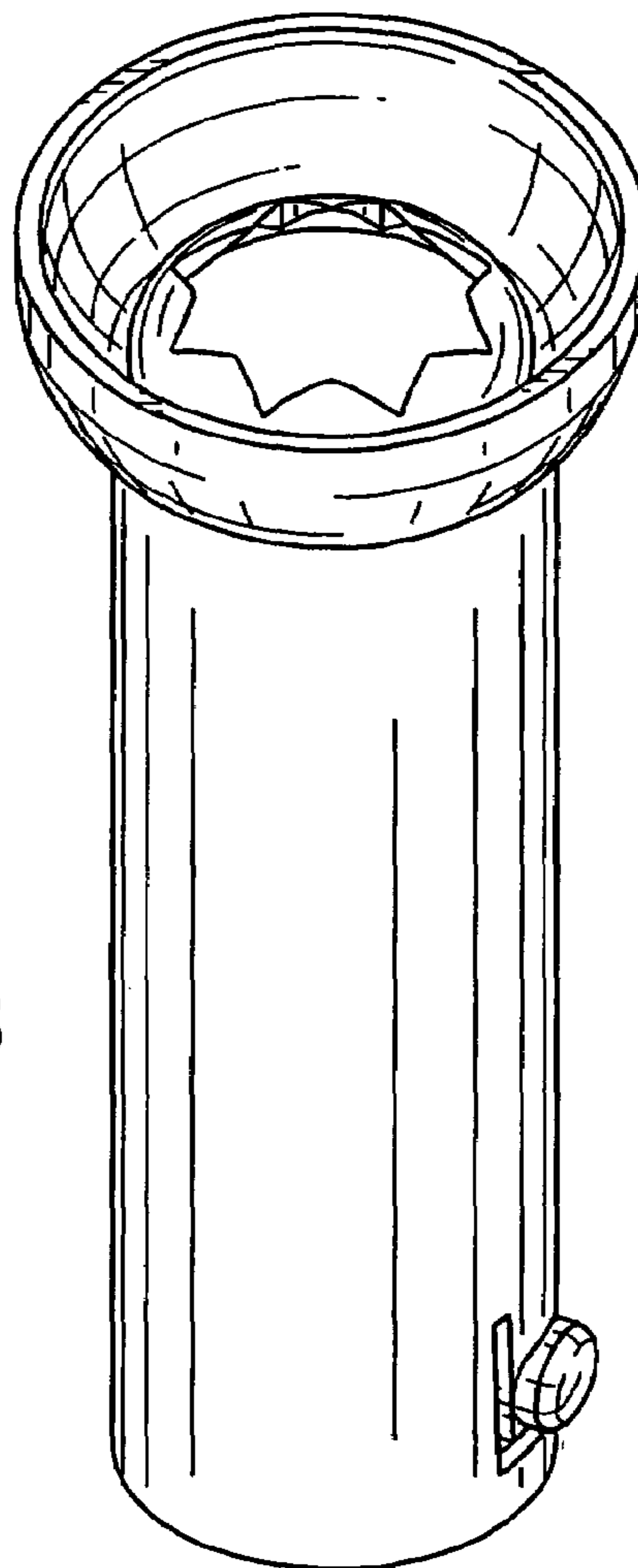


FIG. 23

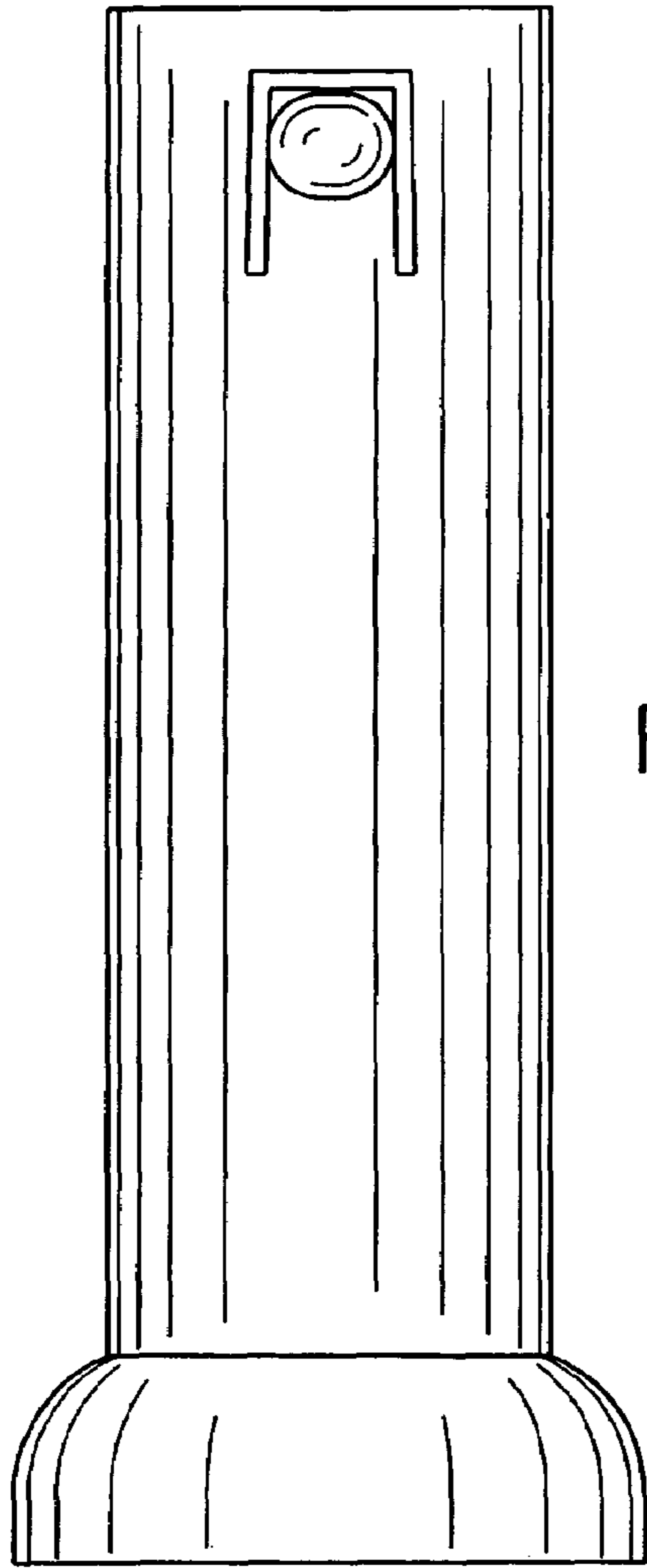


FIG. 24

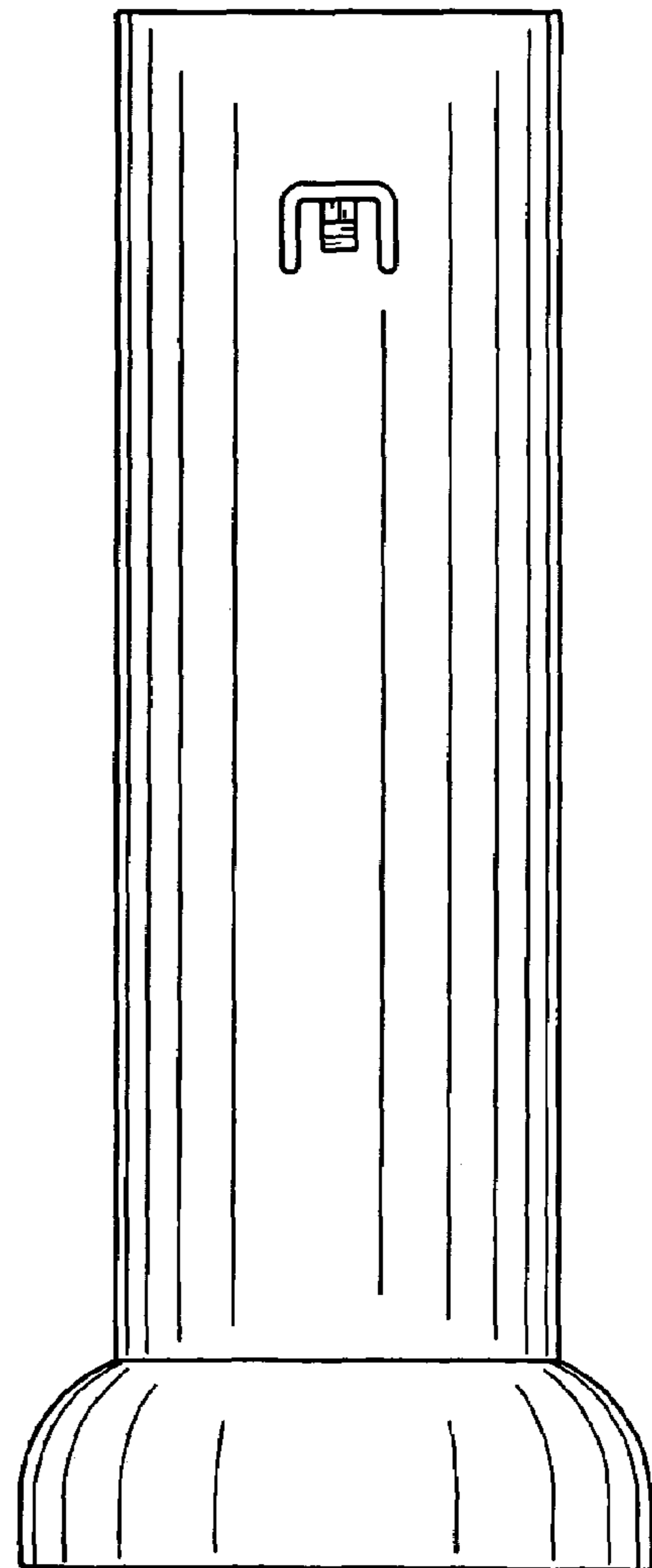


FIG. 25

FIG. 26

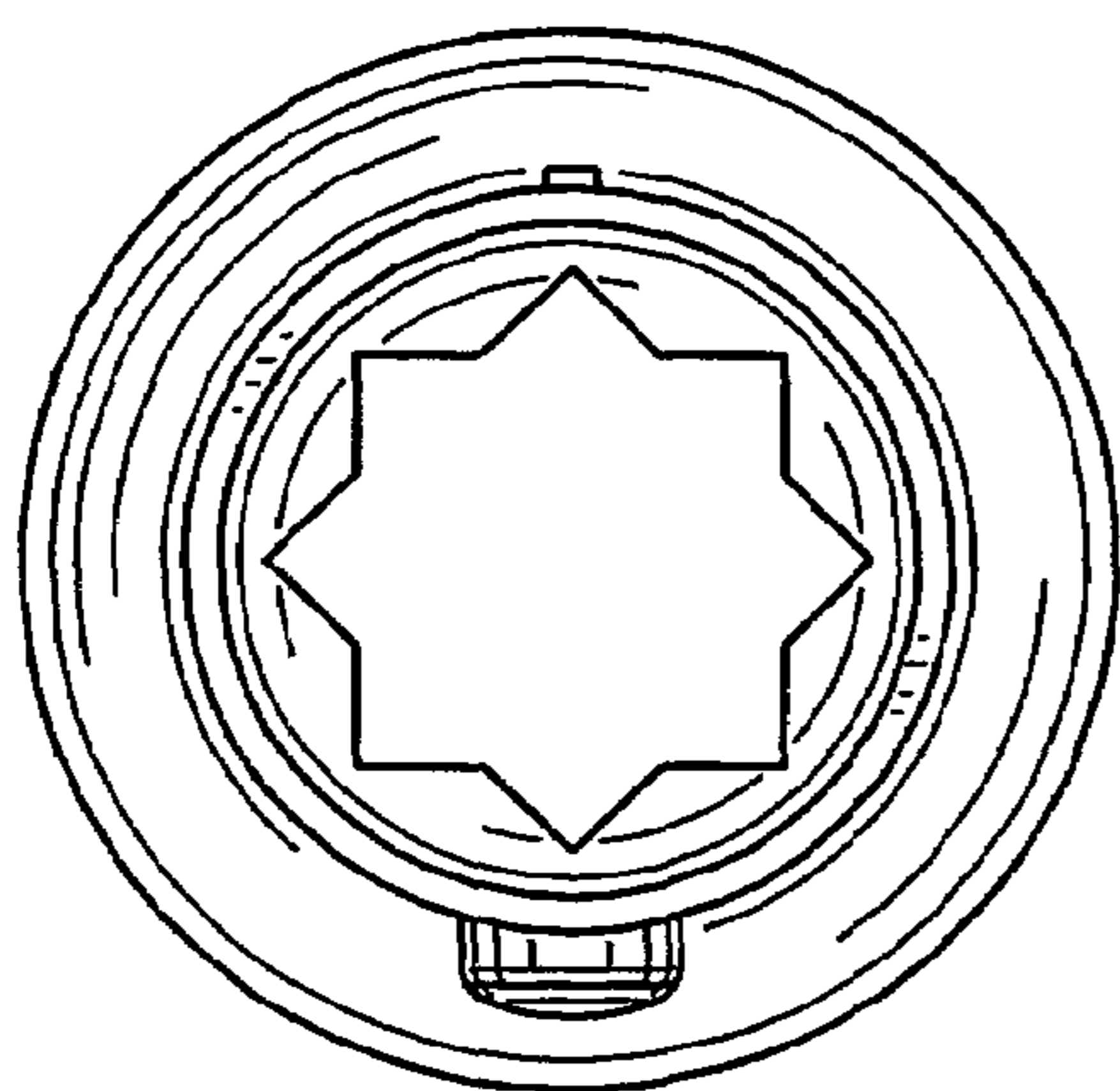
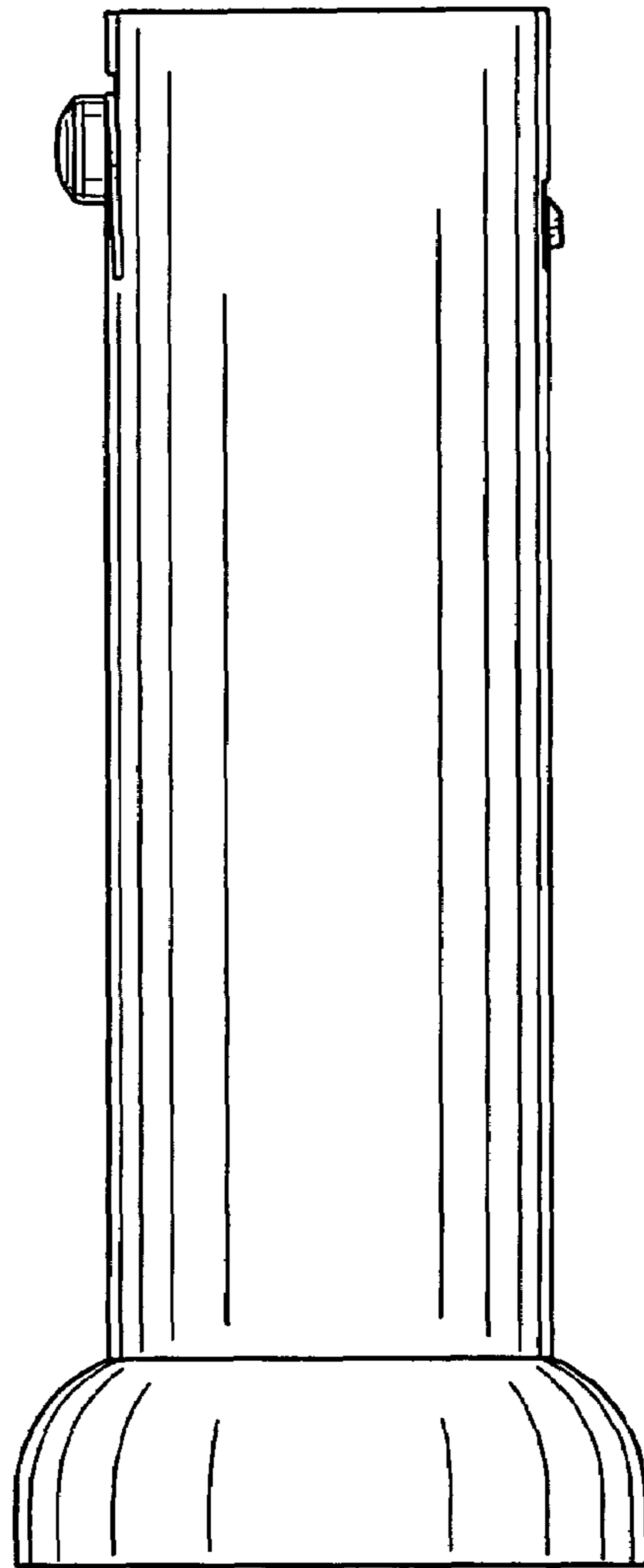


FIG. 27

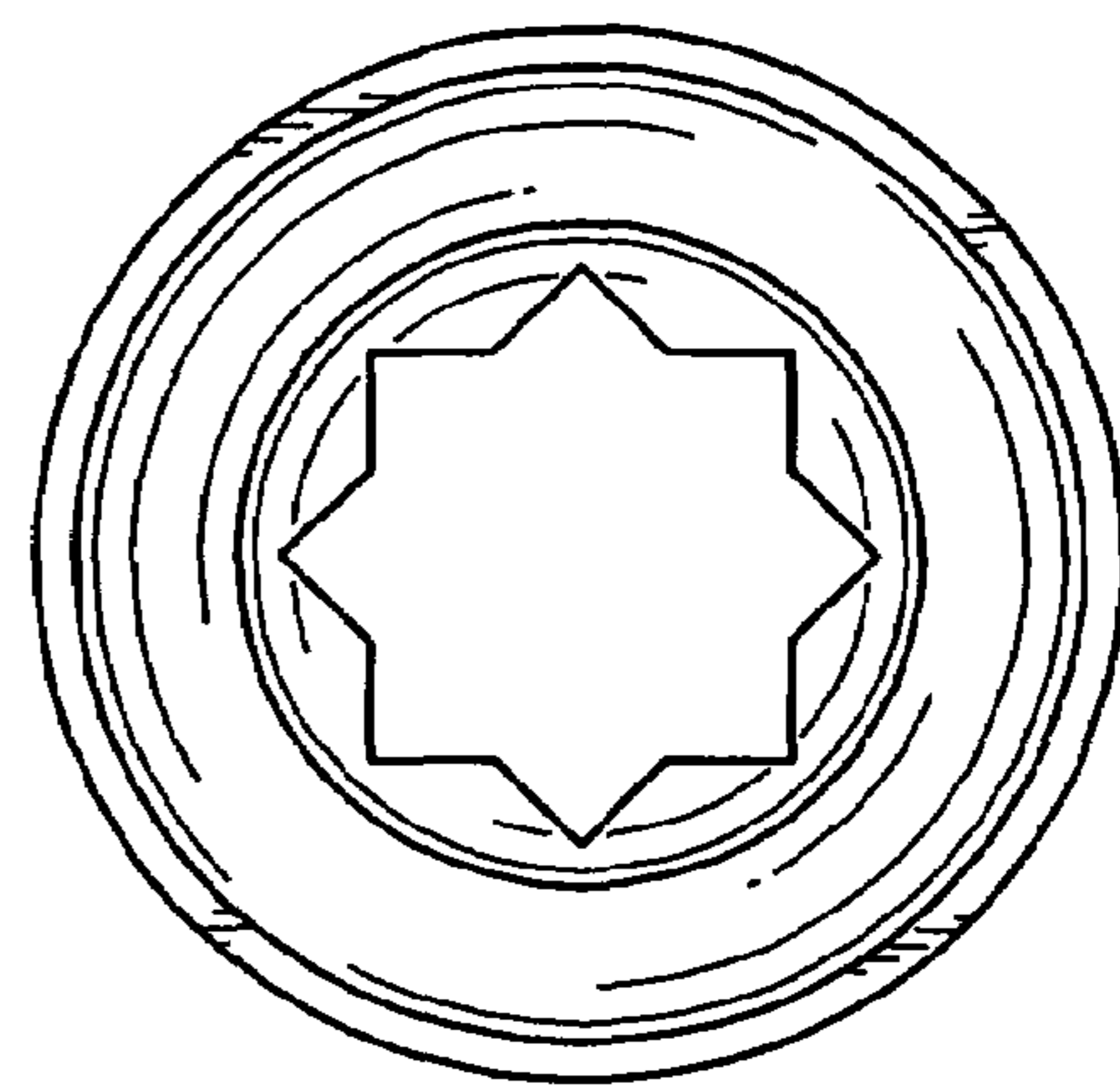


FIG. 28