



US00D587582S

(12) **United States Design Patent**
Matsuoka et al.

(10) **Patent No.:** **US D587,582 S**
(45) **Date of Patent:** **** Mar. 3, 2009**

(54) **BOTTLE**
(75) Inventors: **Kenshi Matsuoka**, Tokyo (JP);
Tsuguharu Akiyama, Iwakura (JP)
(73) Assignee: **The Coca-Cola Company**, Atlanta, GA
(US)

D525,132 S * 7/2006 Todd D9/516
D547,666 S * 7/2007 Hermel D9/552
D554,996 S * 11/2007 Laupie D9/500
D556,592 S * 12/2007 Gage et al. D9/552
D559,694 S * 1/2008 Le Bras-Brown et al. D9/538
D559,695 S * 1/2008 Lesueur D9/538

(**) Term: **14 Years**
(21) Appl. No.: **29/292,857**

FOREIGN PATENT DOCUMENTS
JP 2005-247393 9/2005
JP 2006-137463 6/2006
JP 2007-76717 3/2007

(22) Filed: **Oct. 31, 2007**

OTHER PUBLICATIONS

(51) **LOC (9) Cl.** **09-01**
(52) **U.S. Cl.** **D9/516; D9/538**
(58) **Field of Classification Search** D9/516,
D9/519, 520, 521, 522, 529, 530, 537, 539,
D9/540, 544, 545, 549, 551, 552, 553, 554,
D9/556, 557, 558, 564, 565, 566, 567, 569,
D9/570, 571, 574, 575; 215/381-385, 396,
215/398

U.S. Appl. No. 12/003,587, Matsuoka, Dec. 28, 2007.

* cited by examiner

Primary Examiner—Stella M. Reid
Assistant Examiner—Elizabeth J Oswecki
(74) *Attorney, Agent, or Firm*—Finnegan, Henderson,
Farabow, Garrett & Dunner, LLP

See application file for complete search history.

(57) **CLAIM**

The ornamental design for a bottle, as shown and described.

(56) **References Cited**

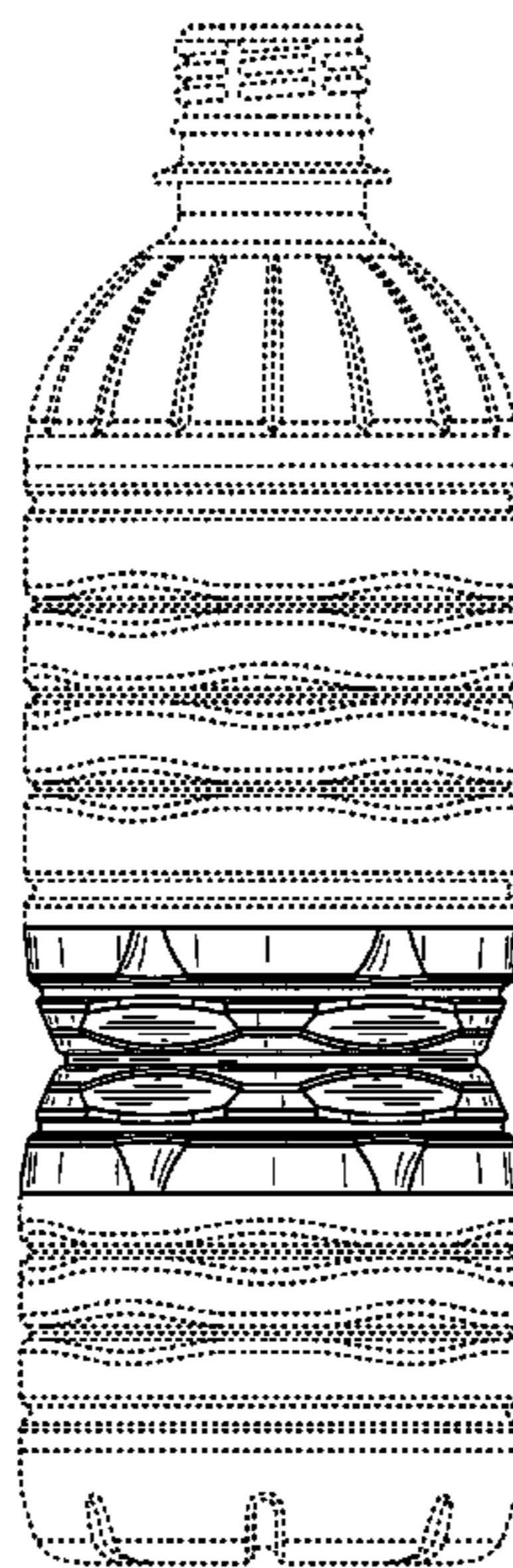
U.S. PATENT DOCUMENTS

D112,800 S * 1/1939 Watson D9/542
D275,267 S * 8/1984 Gautier D9/560
D409,493 S * 5/1999 Waggaman et al. D9/520
D414,112 S * 9/1999 Waggaman et al. D9/520
D425,424 S * 5/2000 Cheng et al. D9/520
D434,668 S * 12/2000 Chimetto et al. D9/541
D463,292 S * 9/2002 Del Bianco D9/560
D480,650 S * 10/2003 Moore et al. D9/540
D493,370 S * 7/2004 Kamineni et al. D9/552
D503,341 S * 3/2005 Delmotte D9/538
D504,069 S * 4/2005 Gross et al. D9/538
D508,854 S * 8/2005 Livingston D9/516
D510,025 S * 9/2005 Venkataraman et al. D9/516
D510,027 S * 9/2005 Zboch et al. D9/516
D523,341 S * 6/2006 Livingston et al. D9/516

DESCRIPTION

FIG. 1 is a front elevation view of a bottle, showing our new design;
FIG. 2 is a lateral right side view thereof;
FIG. 3 is a lateral left side view thereof;
FIG. 4 is a top plan view thereof; and,
FIG. 5 is a bottom plan view thereof.
Portions of the bottle comprising the claimed design features are shown in solid lines. The broken lines showing the remainder of the bottle are for illustration purposes only and form no part of the claimed design.

1 Claim, 4 Drawing Sheets



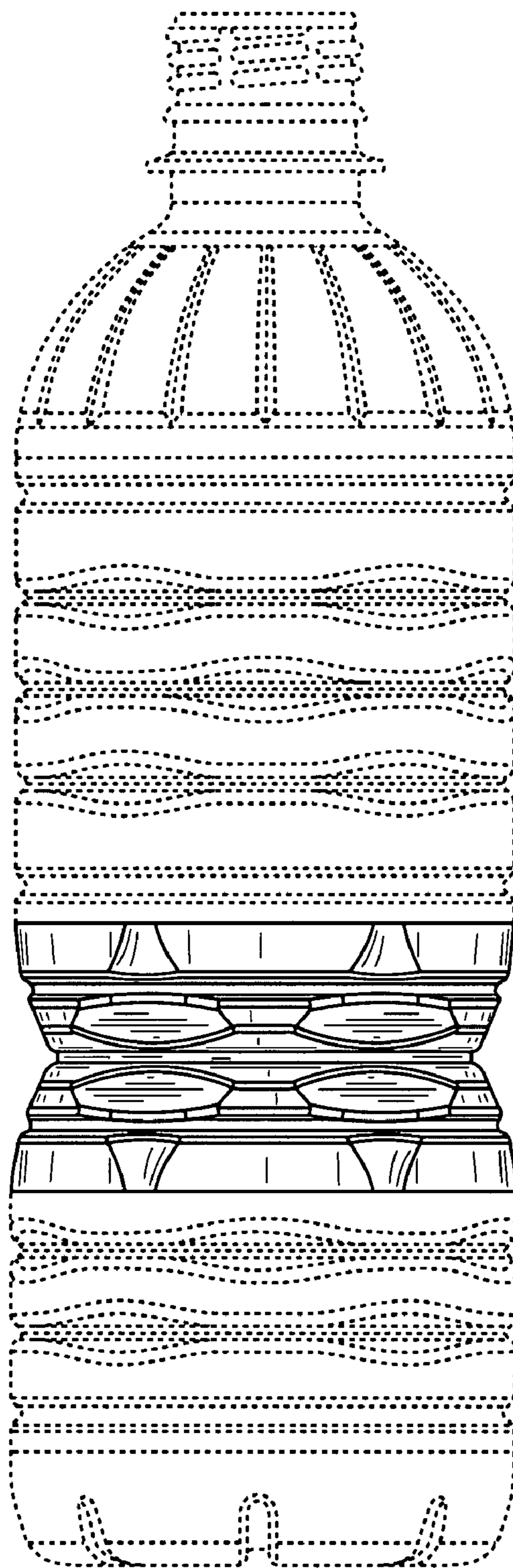


FIG. 1

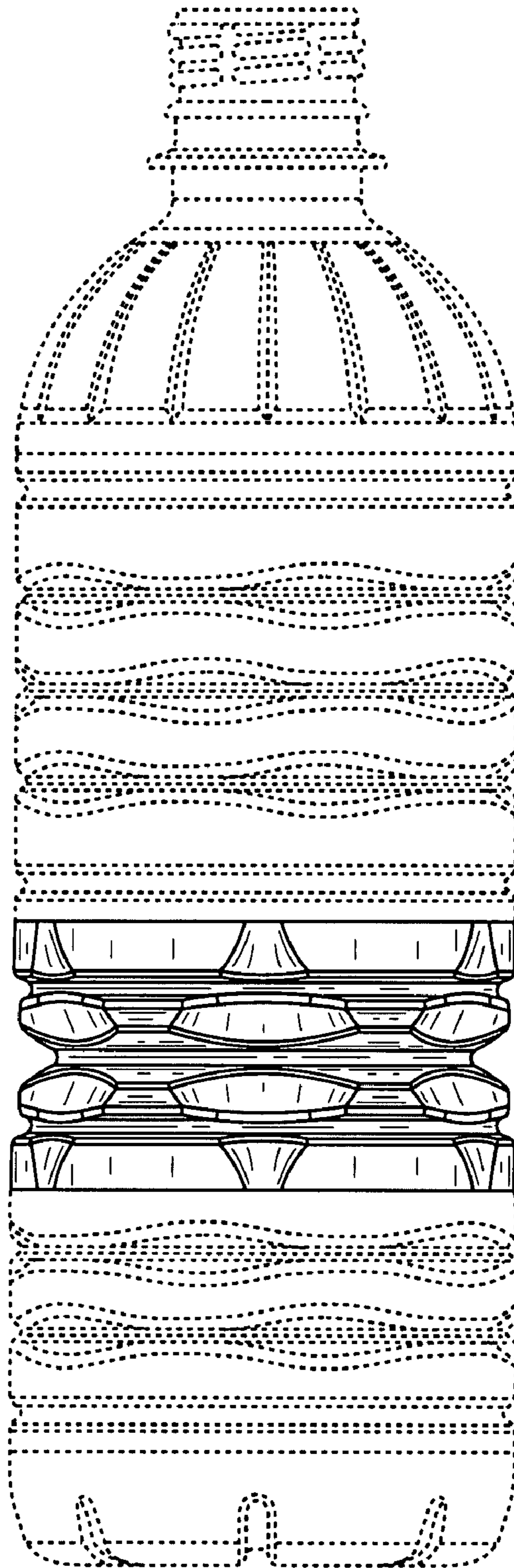


FIG. 2

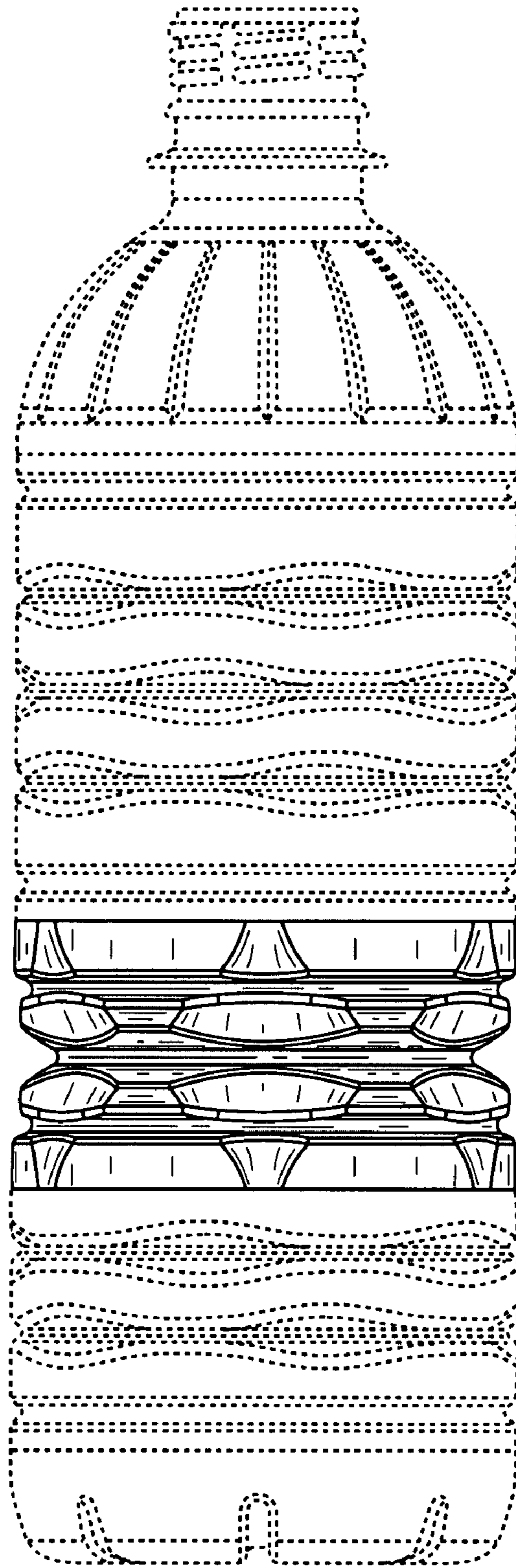


FIG. 3

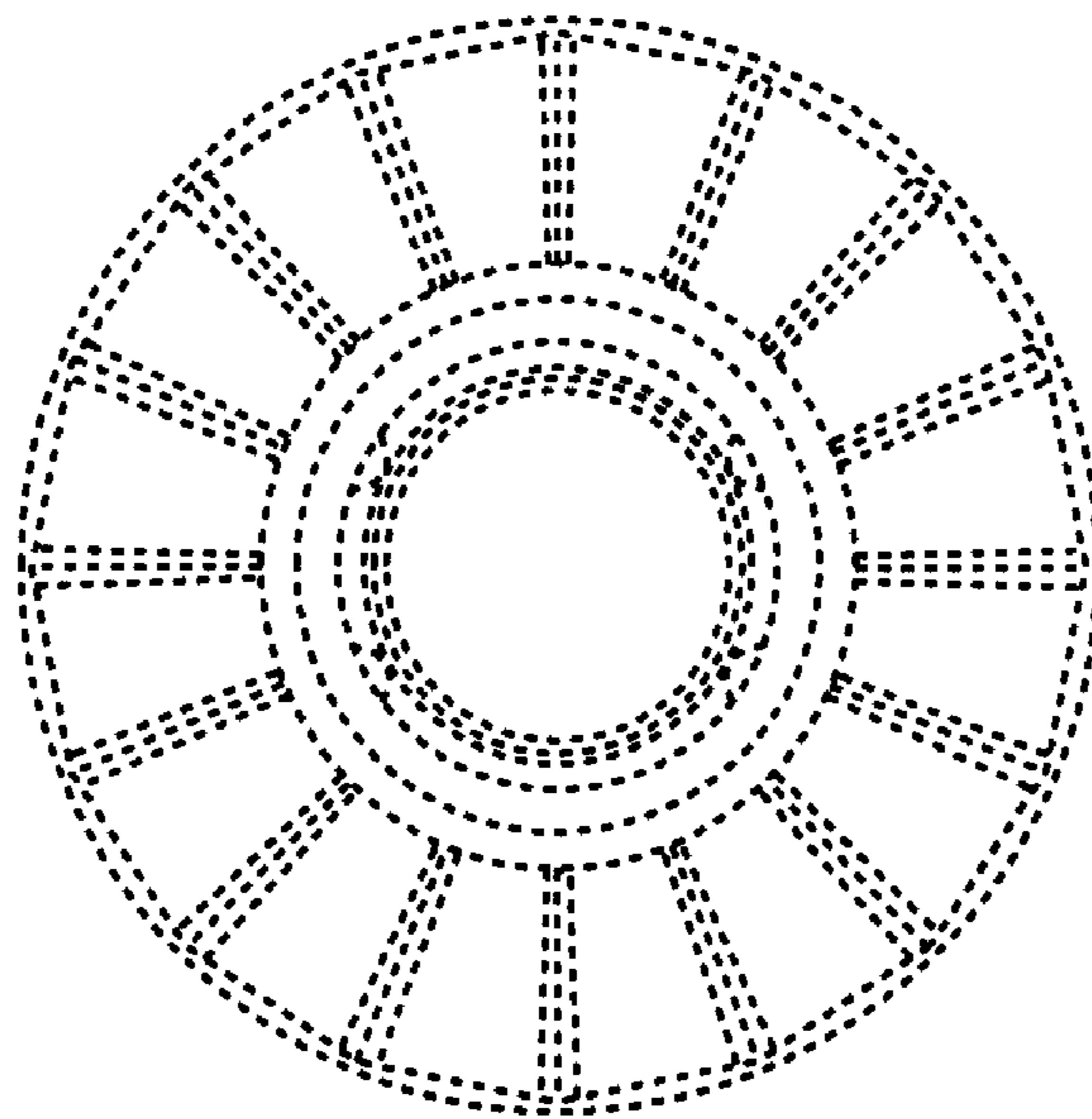


FIG. 4

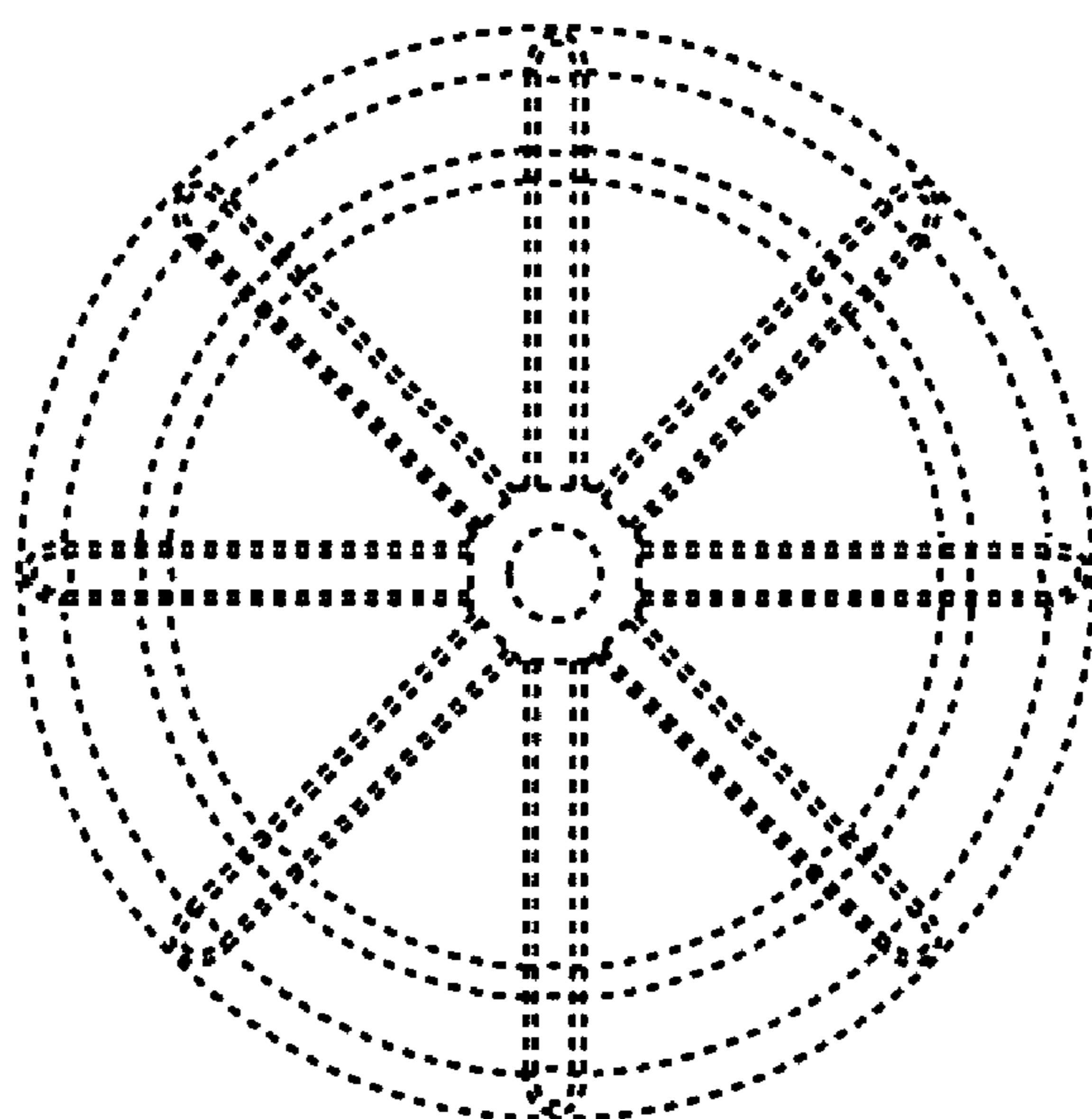


FIG. 5