



US00D587581S

(12) **United States Design Patent**
DeMarco et al.

(10) **Patent No.:** **US D587,581 S**
(45) **Date of Patent:** **** Mar. 3, 2009**

(54) **CAP**
(75) Inventors: **Jenny DeMarco**, Addison, TX (US);
John Lamie, Old Greenwich, CT (US)
(73) Assignee: **Mary Kay Inc.**, Dallas, TX (US)
(**) Term: **14 Years**
(21) Appl. No.: **29/299,415**
(22) Filed: **Dec. 26, 2007**
(51) **LOC (9) Cl.** **09-07**
(52) **U.S. Cl.** **D9/454**
(58) **Field of Classification Search** D9/733,
D9/726, 529, 501, 503, 454, 450, 449, 447,
D9/440, 435; D28/7; D24/224; 222/566,
222/562, 255, 254.1; 220/288, 259.3, 257.1,
220/256.1, 254.1, 212; 215/252
See application file for complete search history.

4,538,653 A 9/1985 Shea et al. 141/285
4,570,817 A 2/1986 Hambleton et al. 220/345.2
4,598,837 A 7/1986 Kreiseder et al. 220/253
4,613,063 A 9/1986 Wright 222/153.14
4,625,898 A 12/1986 Hazard 222/517
4,653,672 A 3/1987 Tuerk et al. 222/153.14
4,666,068 A 5/1987 Bush 222/546
D291,536 S 8/1987 Crawford et al. D9/440
4,699,299 A 10/1987 Gach 222/480
4,793,502 A 12/1988 Beck 215/235
4,807,768 A 2/1989 Gach 215/216
4,826,026 A 5/1989 Gach et al. 215/206
4,852,770 A 8/1989 Sledge et al. 222/153.14
D306,701 S 3/1990 Beck D9/446
4,993,606 A 2/1991 Bolen et al. 222/546
D315,308 S 3/1991 Van Kerkhoven D9/450
D315,872 S 4/1991 Bixler D9/446
5,005,737 A 4/1991 Closures 222/212
5,007,555 A 4/1991 Beck 220/254.3
5,040,694 A 8/1991 Gambello 220/255
D320,746 S 10/1991 Bolen, Jr. et al. D9/446
5,058,778 A 10/1991 Weinstein 222/209
5,062,542 A 11/1991 Morton 220/269
5,065,911 A 11/1991 Rohr et al. 222/517
5,105,959 A 4/1992 Kinsley 215/227
D328,710 S 8/1992 Deflander D9/529
D328,711 S 8/1992 Deflander D9/524
5,147,060 A * 9/1992 Lima et al. 220/288

(56) **References Cited**
U.S. PATENT DOCUMENTS

1,124,523 A 1/1915 Reeser 222/480
3,042,273 A 7/1962 Bauer et al. 222/548
3,214,069 A 10/1965 Dike 222/498
3,337,083 A * 8/1967 Godshalk 220/288
3,388,841 A 6/1968 McHardy 222/548
3,419,198 A 12/1968 Petterson 222/541.2
3,429,481 A 2/1969 Navia 222/83
3,467,287 A 9/1969 Marchant et al. 222/480
3,889,852 A 6/1975 Strefford 43/112
D247,848 S 5/1978 Croyle D9/447
4,220,248 A 9/1980 Wilson et al. 215/235
4,261,486 A 4/1981 Bush et al. 222/517
4,299,339 A 11/1981 Giroux et al. 222/153.14
D263,805 S 4/1982 Seager D9/450
4,358,032 A 11/1982 Libit 222/498
4,377,247 A 3/1983 Hazard et al. 222/517
4,380,307 A 4/1983 Stillinger 222/142.9
4,457,458 A 7/1984 Heinol 222/498
D275,655 S 9/1984 Bainton D9/438
4,500,016 A 2/1985 Funfstuck 222/153.14
4,519,517 A 5/1985 Walter 215/253

(Continued)

Primary Examiner—Susan Bennett Hattan
(74) *Attorney, Agent, or Firm*—Fulbright & Jaworski L.L.P.

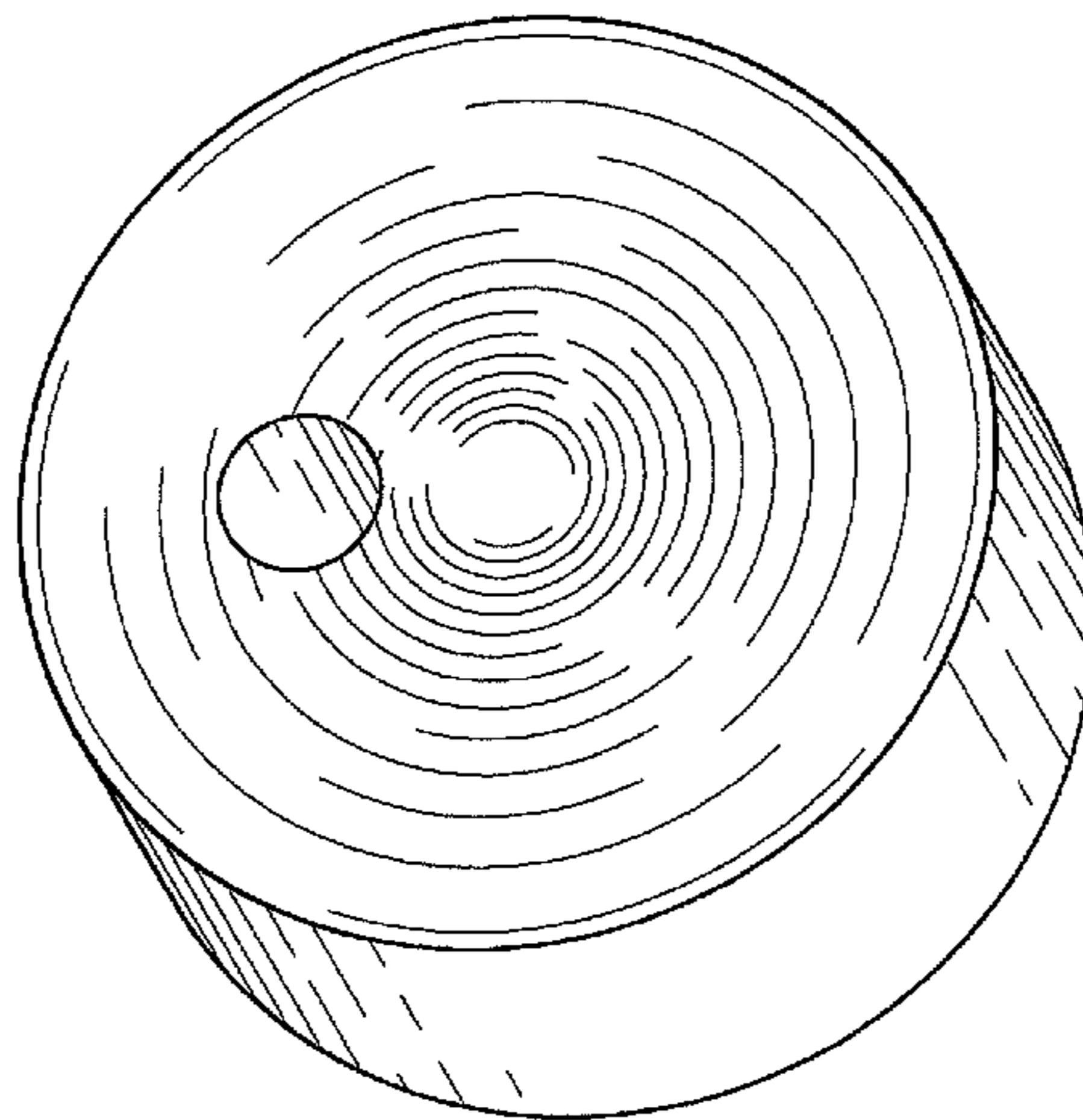
(57) **CLAIM**

The ornamental design for a cap, as shown and described.

DESCRIPTION

FIG. 1 is a top view of our design;
FIG. 2 is a side view thereof;
FIG. 3 is a bottom view thereof;
FIG. 4 is a top perspective view thereof; and,
FIG. 5 is a bottom perspective view thereof.

1 Claim, 3 Drawing Sheets



US D587,581 S

Page 2

U.S. PATENT DOCUMENTS

D334,538 S	4/1993	Bolen et al.	D9/447	D477,532 S	7/2003	Wong	D9/449
D334,709 S	4/1993	Fleming et al.	D9/449	D479,803 S	9/2003	Alguire et al.	D9/523
5,199,617 A	4/1993	Bennett	222/498	6,615,473 B2	9/2003	McCleane et al.	29/434
5,211,300 A	5/1993	Hsing et al.	215/11.4	6,622,895 B2	9/2003	McCleane et al.	222/570
5,213,235 A	5/1993	Miranda	222/107	6,691,394 B1	2/2004	McCleane	29/434
5,213,238 A	5/1993	Martin et al.	222/480	6,698,590 B2	3/2004	Moore	206/459.1
D336,430 S	6/1993	Maguire et al.	D9/448	D488,383 S	4/2004	Kudo et al.	D9/522
D340,188 S	10/1993	Forsyth	D9/449	D489,005 S *	4/2004	Miceli et al.	D9/435
D341,225 S	11/1993	Lang et al.	D28/76	6,766,926 B1	7/2004	Elchert	222/498
D349,647 S	8/1994	Moffitt	D9/435	6,783,031 B2	8/2004	Robbins et al.	222/111
5,356,017 A	10/1994	Rohr et al.	215/216	D497,802 S	11/2004	Gibb et al.	D9/417
5,358,130 A	10/1994	Mengeu et al.	215/238	6,854,619 B2	2/2005	Knickerbocker	222/1
D352,457 S	11/1994	Hughes, Jr. et al.	D9/447	D508,402 S	8/2005	Hierzer et al.	D9/449
5,361,920 A	11/1994	Nozawa et al.	215/237	D508,411 S	8/2005	Lamb et al.	D9/689
5,366,115 A	11/1994	Kersten et al.	222/105	D509,137 S	9/2005	Hierzer et al.	D9/447
5,379,926 A	1/1995	Mueller et al.	222/507	D509,138 S	9/2005	Hierzer et al.	D9/447
D357,200 S	4/1995	Thomas	D10/103	D509,428 S	9/2005	Hierzer et al.	D9/447
D359,905 S	7/1995	Molo	D9/447	D509,429 S	9/2005	Hierzer et al.	D9/447
5,437,383 A	8/1995	Stull	215/235	D509,430 S	9/2005	Hierzer et al.	D9/447
5,489,035 A	2/1996	Fuchs	215/235	D509,431 S	9/2005	Hierzer et al.	D9/447
D368,223 S *	3/1996	Williamson	D9/435	D509,432 S	9/2005	Hierzer et al.	D9/447
5,507,419 A	4/1996	Martin et al.	222/480	D509,735 S	9/2005	Hierzer et al.	D9/447
5,520,307 A	5/1996	Miller et al.	221/2	D509,736 S	9/2005	Hierzer et al.	D9/447
D374,399 S	10/1996	Neveras et al.	D9/447	D509,737 S	9/2005	Hierzer et al.	D9/447
5,566,850 A	10/1996	Forsyth et al.	220/253	D512,635 S	12/2005	Hierzer et al.	D9/447
5,601,213 A	2/1997	Daniello	222/456	6,988,642 B2	1/2006	Gallo et al.	222/506
D385,791 S	11/1997	Forsyth et al.	D9/447	D515,917 S	2/2006	Hierzer et al.	D9/447
D389,761 S	1/1998	Thomas	D10/103	D515,918 S	2/2006	Hierzer et al.	D9/447
5,730,322 A	3/1998	Iba et al.	222/42	D515,919 S	2/2006	Hierzer et al.	D9/447
D407,976 S	4/1999	Ekkert	D9/449	D516,910 S	3/2006	Bresler	D9/447
5,913,435 A	6/1999	Fuchs	215/237	D518,712 S	4/2006	Hierzer et al.	D9/447
5,927,556 A	7/1999	Mooney et al.	222/153.14	D518,713 S	4/2006	Hierzer et al.	D9/447
5,960,972 A	10/1999	Larguia, Sr.	215/274	D518,714 S	4/2006	Hierzer et al.	D9/447
5,975,354 A	11/1999	Goncalves	222/39	D518,715 S	4/2006	Hierzer et al.	D9/447
D418,363 S	1/2000	Barnes et al.	D7/392	D529,800 S	10/2006	Liebe	D9/449
6,089,411 A	7/2000	Baudin et al.	222/212	D530,202 S	10/2006	Herald et al.	D9/449
D443,518 S	6/2001	Goettner	D9/530	7,128,227 B2	10/2006	Skillin et al.	215/235
6,241,128 B1	6/2001	McCleane et al.	222/212	D533,063 S	12/2006	Lee et al.	D9/449
6,244,470 B1	6/2001	Harley-Wilmot	222/153.14	D533,074 S	12/2006	Mongeon et al.	D9/687
D444,387 S	7/2001	Adachi et al.	D9/529	D535,564 S	1/2007	Toth et al.	D9/522
6,283,339 B1	9/2001	Morrow	222/452	D538,161 S	3/2007	Smith et al.	D8/449
6,302,301 B1	10/2001	Vette	222/142.6	7,201,288 B2	4/2007	von Rönn et al.	220/253
6,315,170 B1	11/2001	Thomson et al.	222/361	D548,086 S	8/2007	Conway et al.	D9/732
6,332,551 B1	12/2001	Copeland	220/262	D553,498 S *	10/2007	Cooney	D9/454
6,336,460 B2	1/2002	Yuhara	132/295	2001/0011446 A1	8/2001	McCleane et al.	53/452
6,382,476 B1	5/2002	Randall et al.	222/545	2003/0042331 A1	3/2003	Lu	239/436
6,394,323 B2	5/2002	McCleane et al.	222/534	2003/0127467 A1	7/2003	Adams et al.	222/153.14
6,405,867 B1	6/2002	Moore	206/459.1	2004/0003489 A1	1/2004	McCleane et al.	29/428
6,405,885 B1	6/2002	Elliott	215/237	2005/0082290 A1	4/2005	Fask et al.	220/254.1
6,419,825 B1	7/2002	Hahmann et al.	210/232	2005/0205607 A1	9/2005	Hierzer et al.	222/153.1
6,439,442 B1	8/2002	Markert et al.	222/547	2006/0011573 A1	1/2006	Herald et al.	215/237
D468,639 S	1/2003	Wennerstrom et al.	D9/449	2006/0037886 A1	2/2006	Thiebaut	206/581
D470,765 S	2/2003	Baker	D9/420	2006/0237388 A1	10/2006	Kick	215/235
6,543,650 B1	4/2003	Sprick et al.	222/153.14	2006/0249473 A1	11/2006	Kunz	215/235
6,564,978 B1	5/2003	Safian et al.	222/534	2007/0187406 A1	8/2007	Nobile et al.	220/254.4
D475,608 S	6/2003	Lin	D9/414	2007/0199962 A1	8/2007	Mengeu	222/575
D476,559 S	7/2003	Norris et al.	D9/442				

* cited by examiner

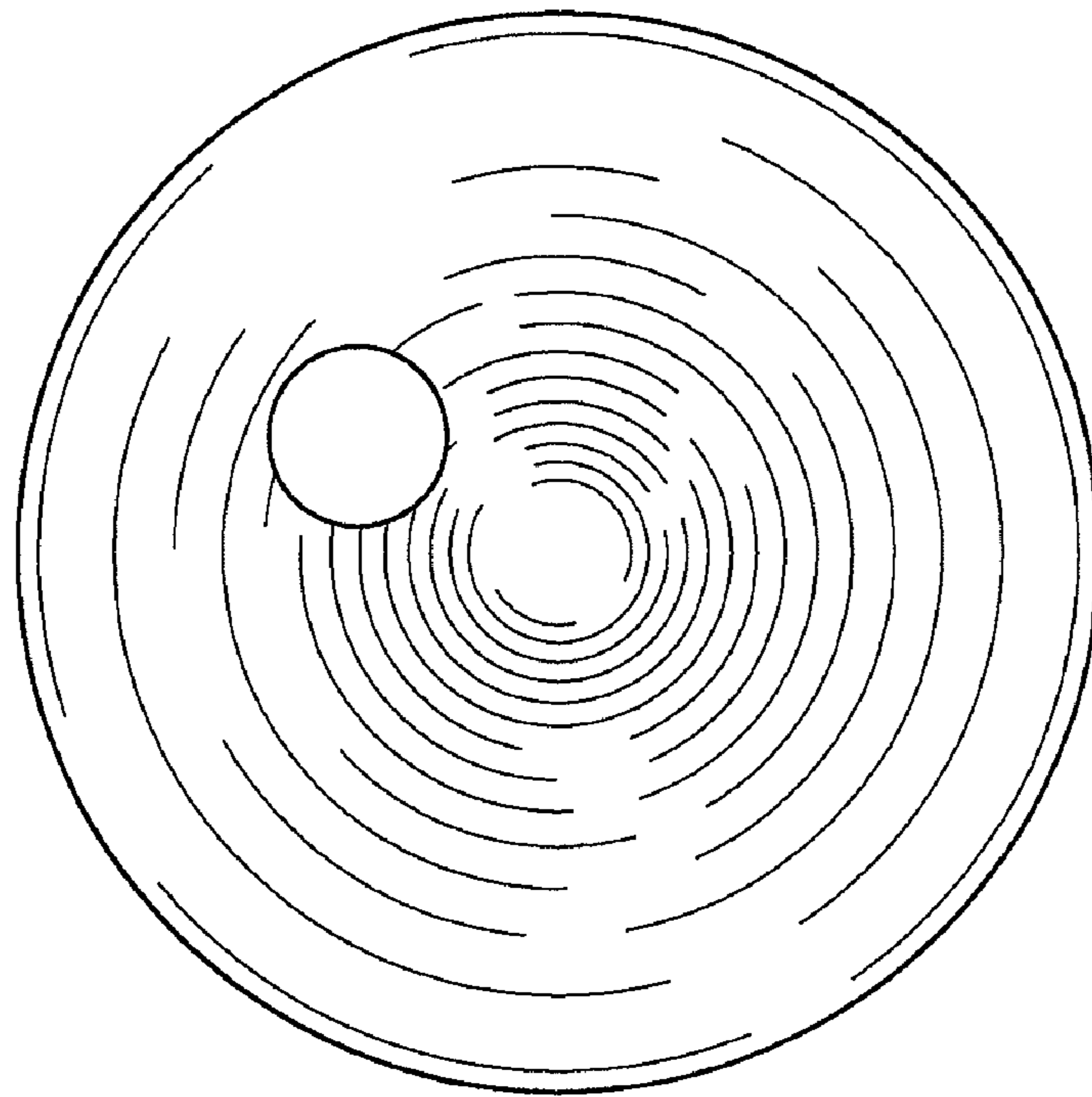


FIG. 1

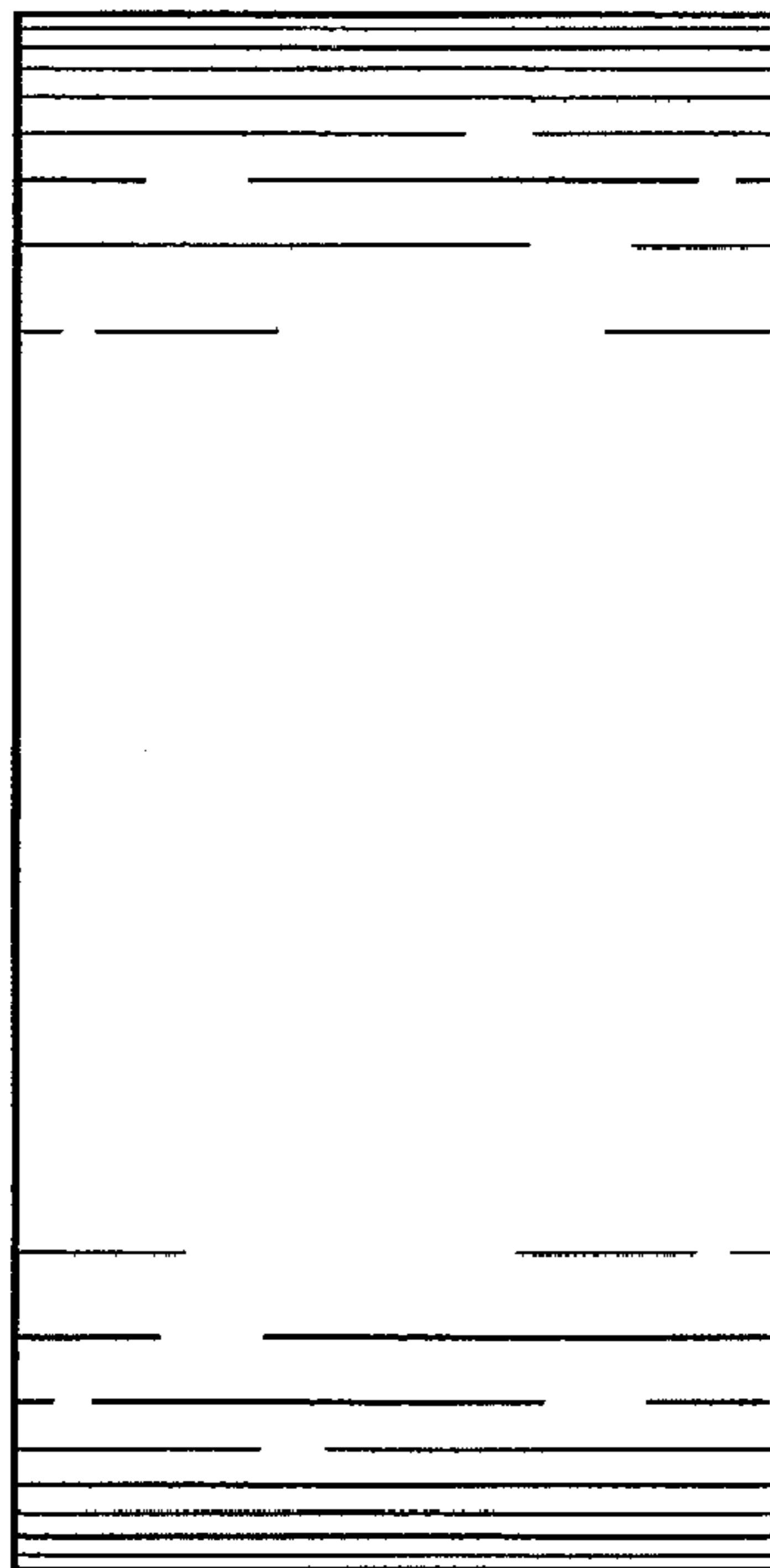


FIG. 2

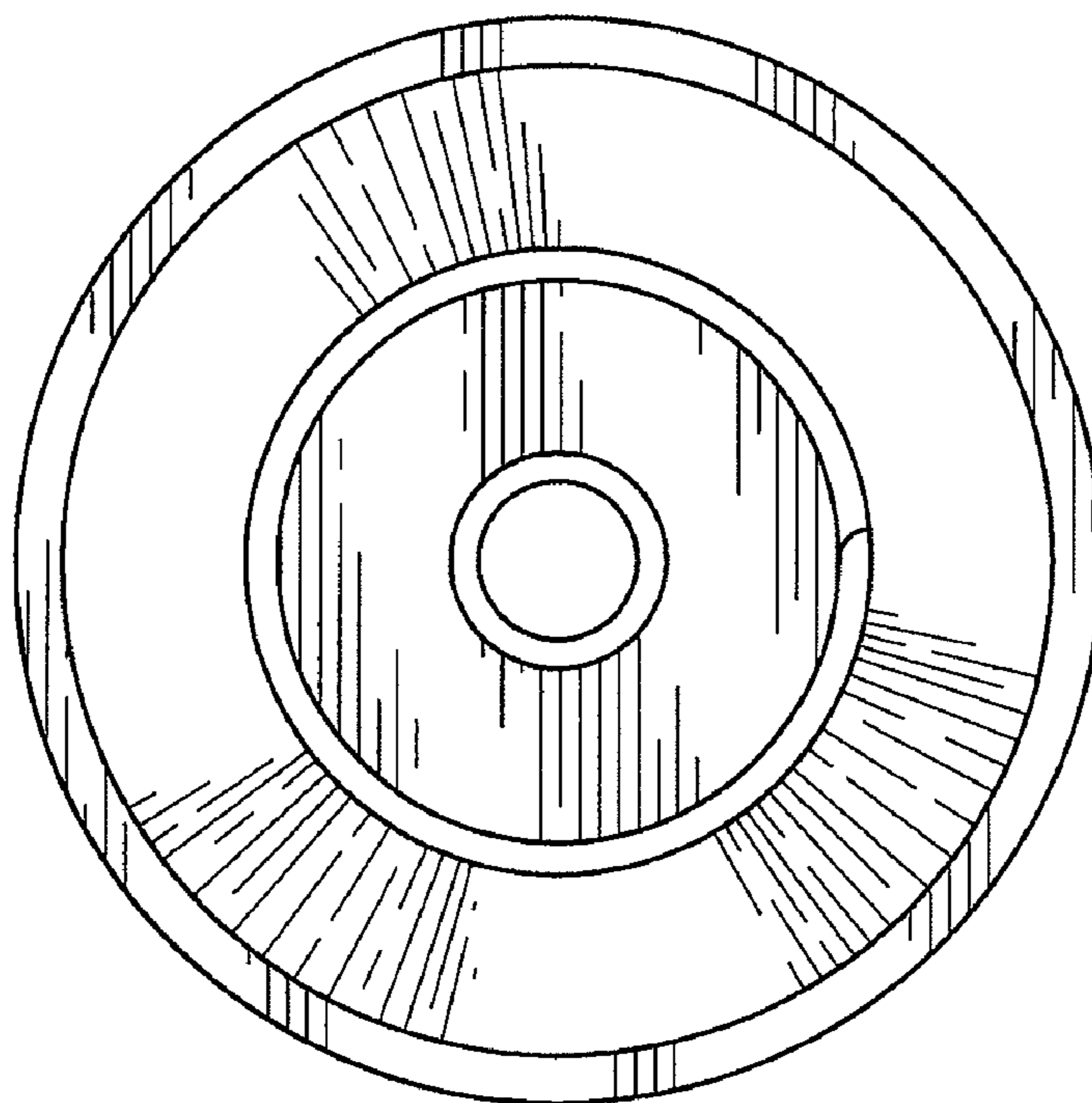


FIG. 3

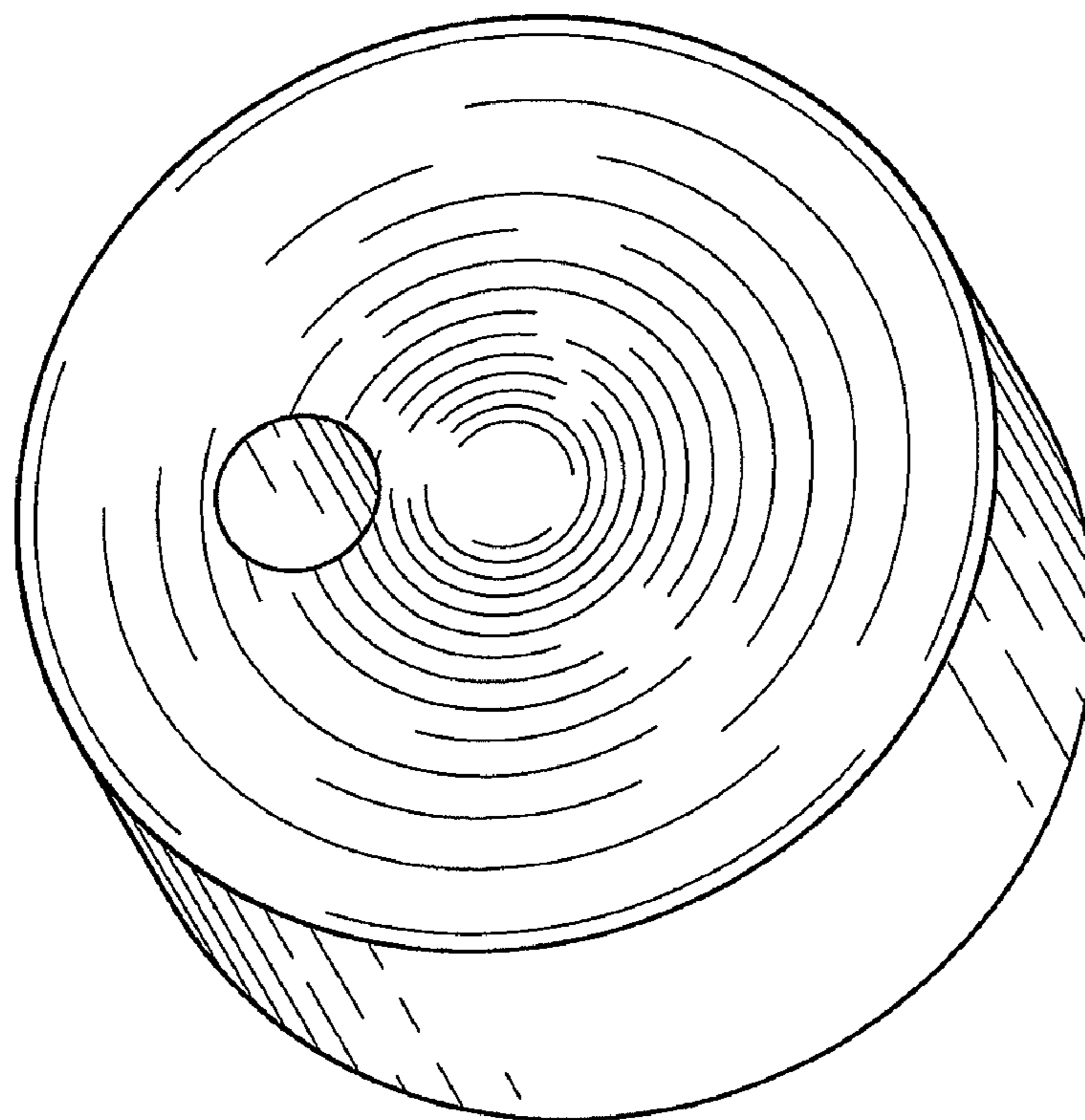


FIG. 4

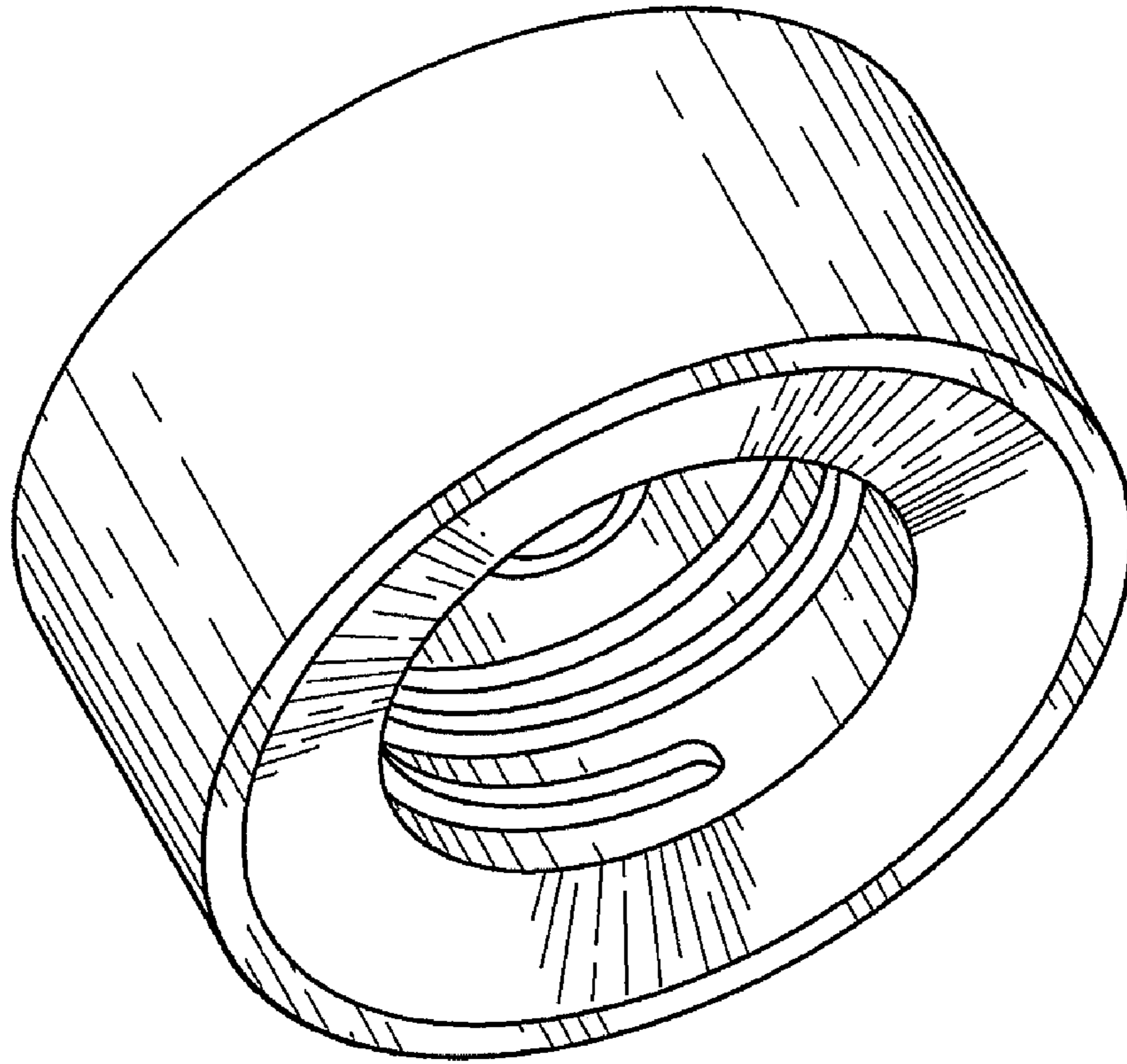


FIG. 5

UNITED STATES PATENT AND TRADEMARK OFFICE
CERTIFICATE OF CORRECTION

PATENT NO. : Des. 587,581 S
APPLICATION NO. : 29/299415
DATED : March 3, 2009
INVENTOR(S) : Jenny DeMarco and John Lamie

Page 1 of 1

It is certified that error appears in the above-identified patent and that said Letters Patent is hereby corrected as shown below:

In title page, item (56) References Cited, page 2, delete
“D475,608 S 6/2003 Lin D9/414” and insert
--D475,618 S 6/2003 Barnes et al. D9/339-- therefor.

Signed and Sealed this

Twelfth Day of May, 2009



JOHN DOLL
Acting Director of the United States Patent and Trademark Office