



US00D587580S

(12) **United States Design Patent**  
**Kane et al.**

(10) **Patent No.:** **US D587,580 S**  
(45) **Date of Patent:** **\*\* Mar. 3, 2009**

(54) **FILTRATE STORAGE BOTTLE CAP**

(76) Inventors: **Jeffrey F. Kane**, 111 Brigham St., Unit 17A, Hudson, MA (US) 01749; **Thomas Taylor**, 1 Nottingham Rd., Windham, NH (US) 03087; **George W. Jordan**, 3 Silver Spruce Cir., Worcester, MA (US) 01609

(\*\*) Term: **14 Years**

(21) Appl. No.: **29/302,964**

(22) Filed: **Jan. 29, 2008**

(51) **LOC (9) Cl.** ..... **09-07**

(52) **U.S. Cl.** ..... **D9/453; D9/454**

(58) **Field of Classification Search** ..... D9/505,  
D9/453, 452, 449, 446, 434, 435; D24/121;  
D12/197; 220/780, 781, 288, 254.3; 215/329,  
215/252, 230, 216; 600/577  
See application file for complete search history.

(56) **References Cited**

**U.S. PATENT DOCUMENTS**

3,010,583 A	11/1961	Kenyon	210/406
D198,818 S *	8/1964	Stull	D9/453
D199,155 S *	9/1964	Hannon	D9/452
D233,138 S *	10/1974	Vogel	D9/453
D244,356 S *	5/1977	Pardo	D9/453
D250,467 S *	12/1978	O'Banion	D12/197
4,673,501 A	6/1987	Wells et al.	210/406
4,689,147 A	8/1987	Leoncavallo et al.	210/232

4,783,318 A	11/1988	Lapakko	422/101
4,792,398 A	12/1988	Klein	210/406
D375,264 S *	11/1996	Galarza et al.	D9/453
D378,803 S *	4/1997	Bolen et al.	D9/449
D397,320 S *	8/1998	Hoagland, IV	D12/197
D408,284 S	4/1999	Ekkert et al.	D9/453
5,950,849 A	9/1999	Ekkert et al.	215/252
D414,694 S *	10/1999	Richter	D9/439
D431,512 S *	10/2000	Pink	D12/197
6,458,278 B1	10/2002	Leoncavallo et al.	210/650
6,770,203 B2	8/2004	Leoncavallo et al.	210/650
D520,361 S *	5/2006	Crawford et al.	D9/453
2005/0242054 A1 *	11/2005	Stull et al.	215/252
2007/0144959 A1	6/2007	Zuk, Jr.	210/473

\* cited by examiner

*Primary Examiner*—Susan B Hattan

(74) *Attorney, Agent, or Firm*—Bromberg & Sunstein LLP

(57) **CLAIM**

The ornamental design for a filtrate storage bottle cap, as shown and described.

**DESCRIPTION**

FIG. 1 shows a perspective view of a filtrate storage bottle cap according to our design;

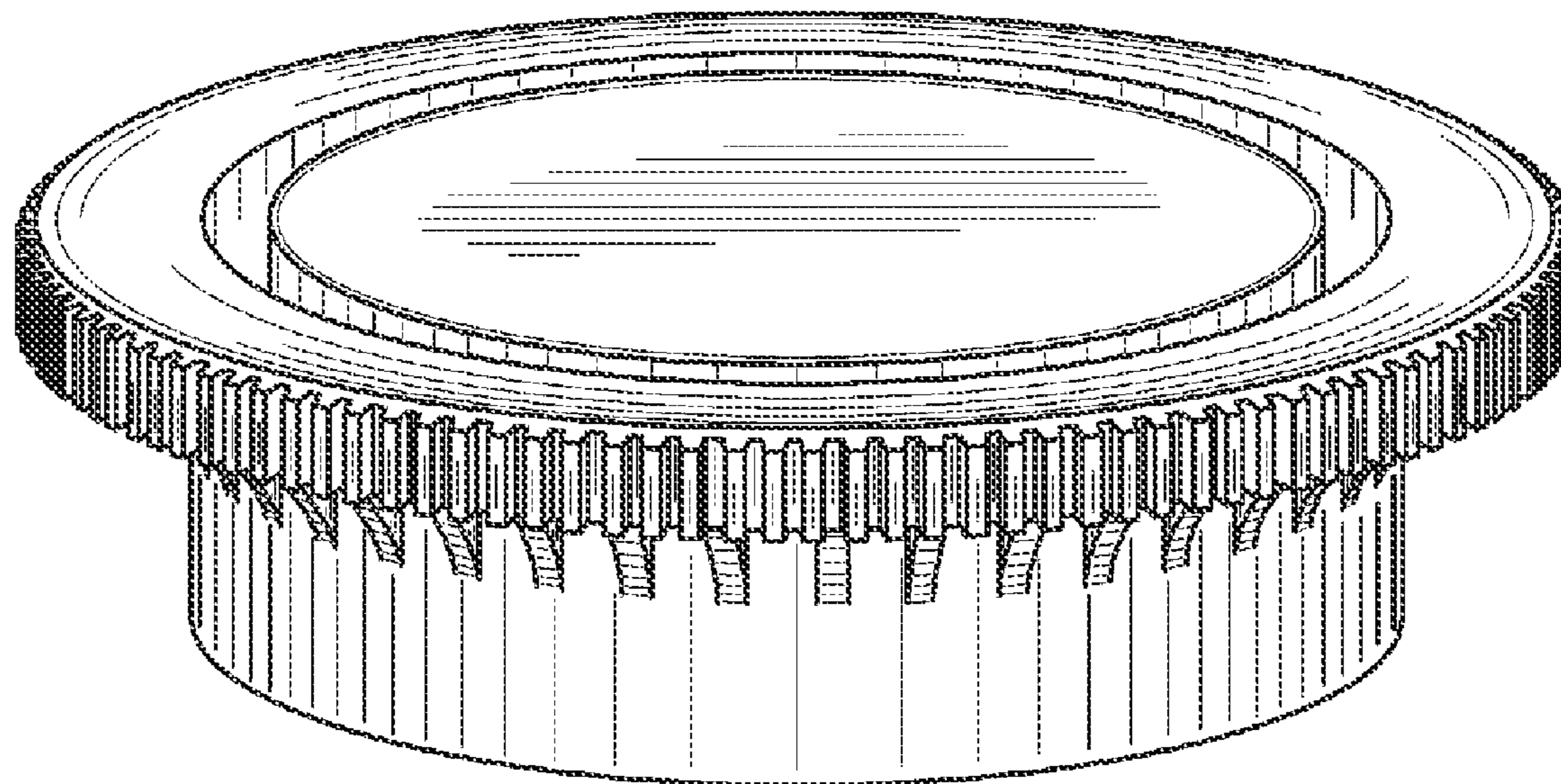
FIG. 2 is a bottom perspective view thereof;

FIG. 3 is a top plan view thereof;

FIG. 4 is a side view thereof; and,

FIG. 5 is a bottom plan view thereof.

**1 Claim, 3 Drawing Sheets**



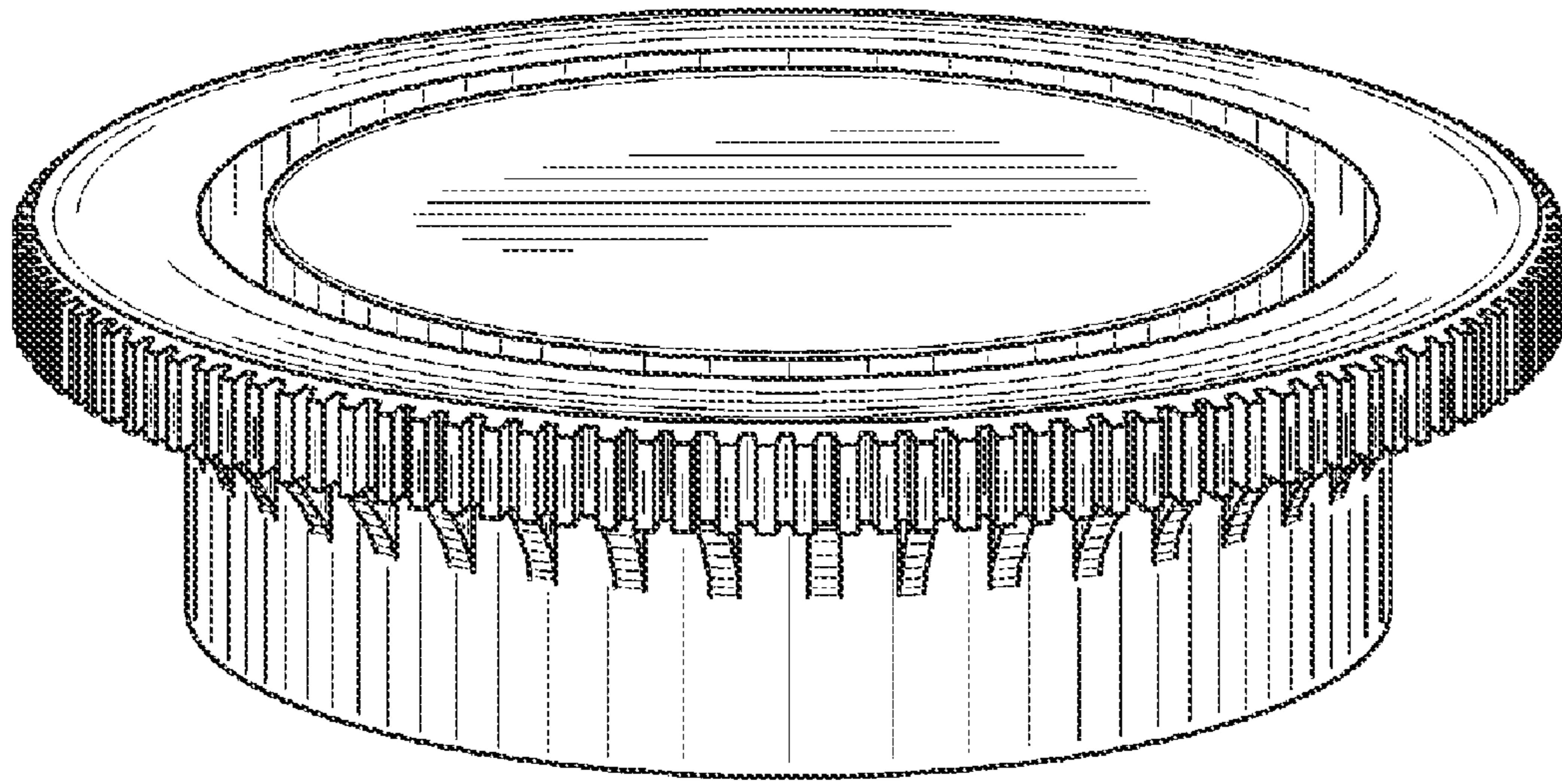


FIG. 1

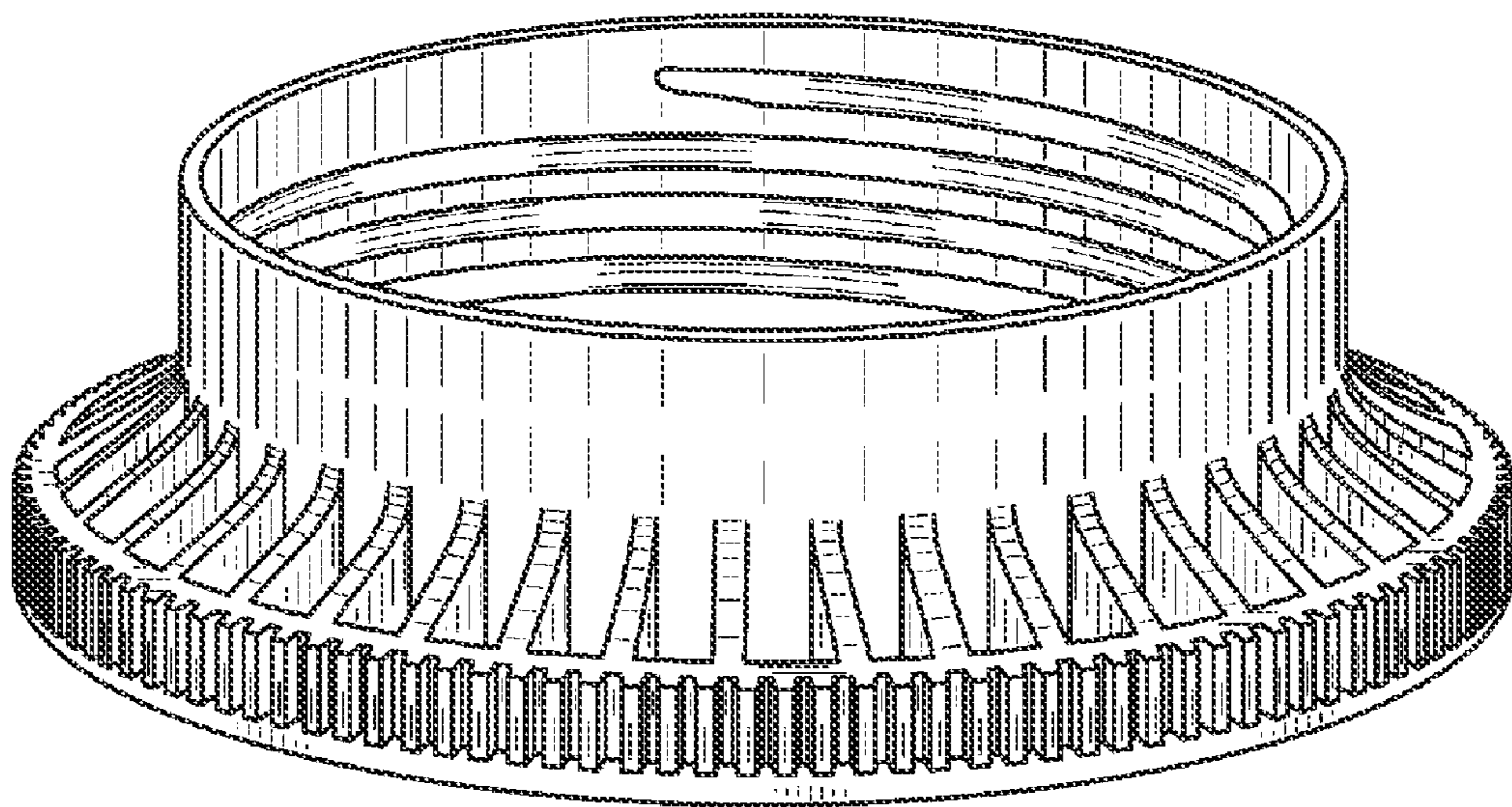


FIG. 2

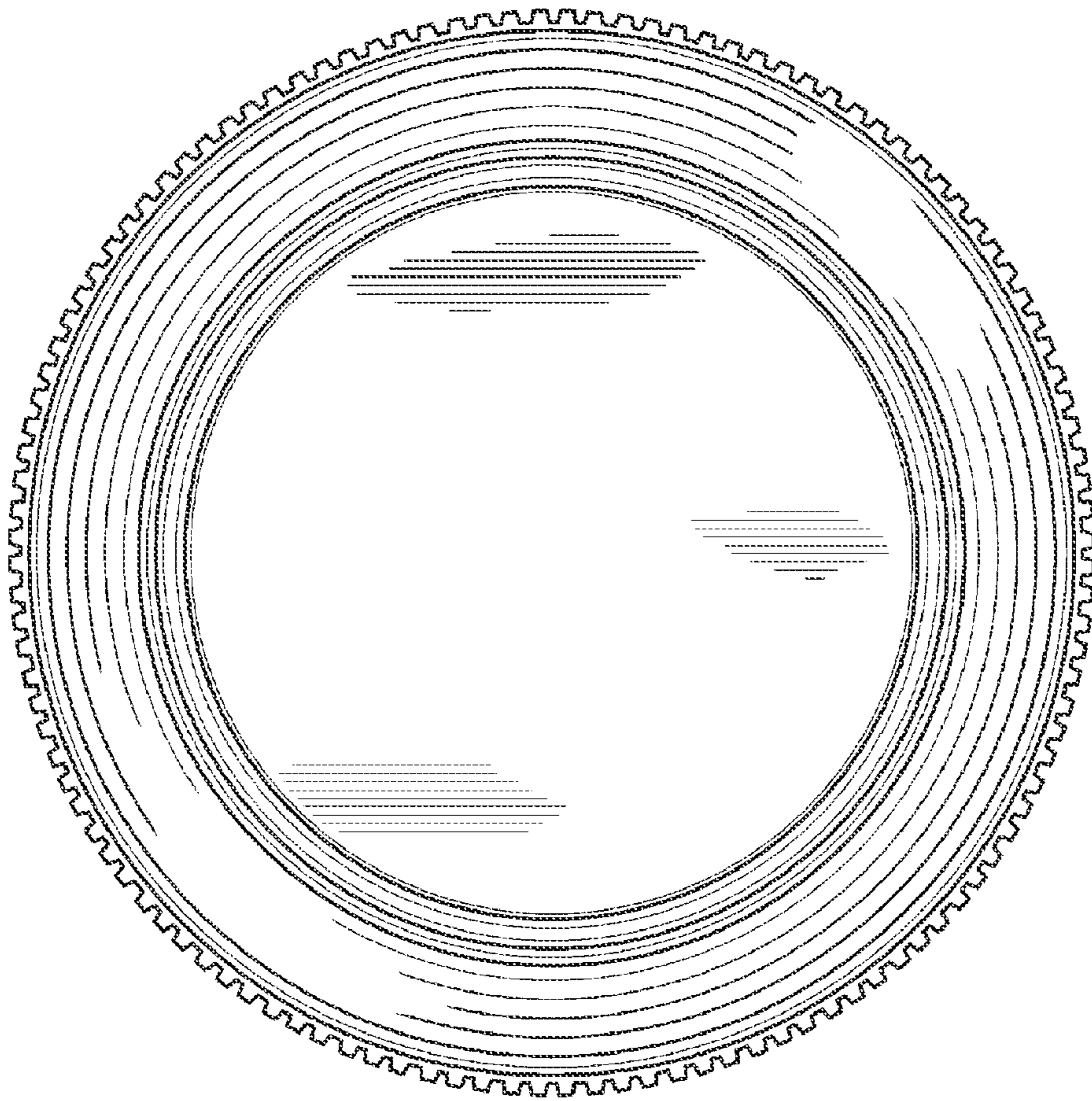


FIG. 3

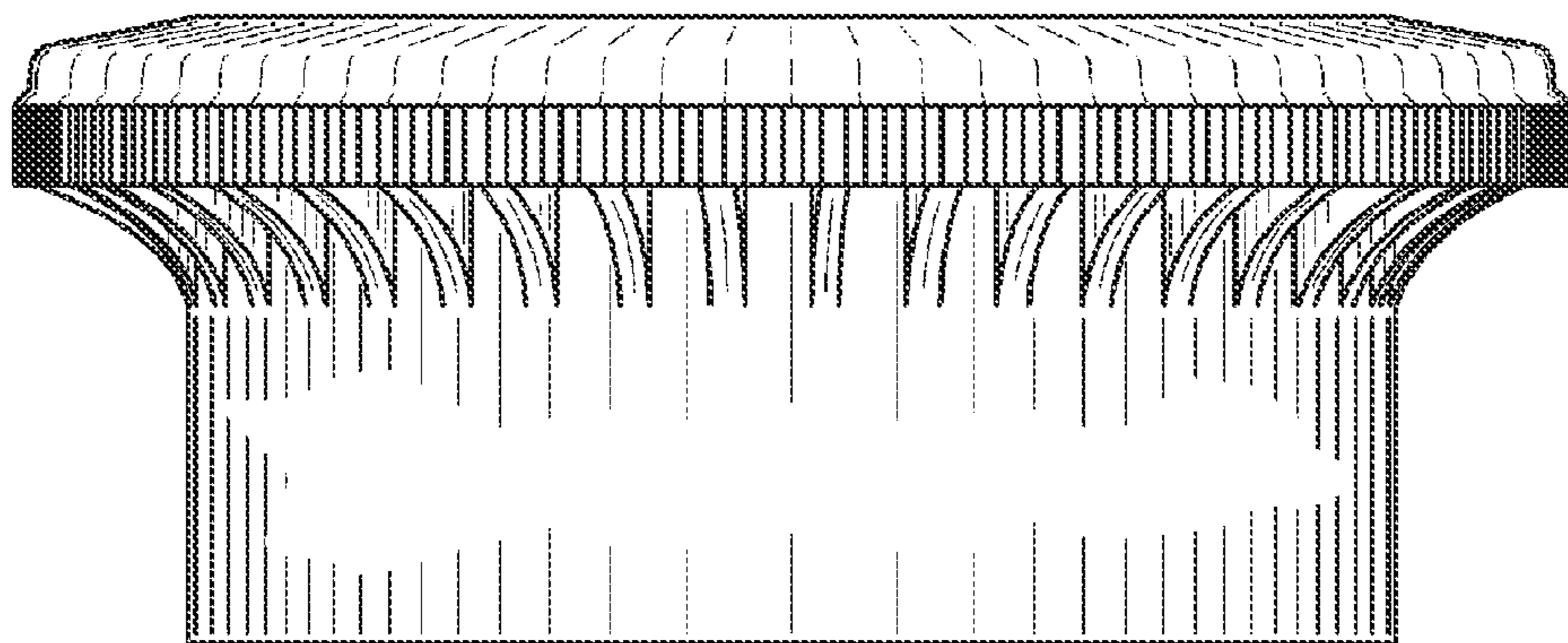


FIG. 4

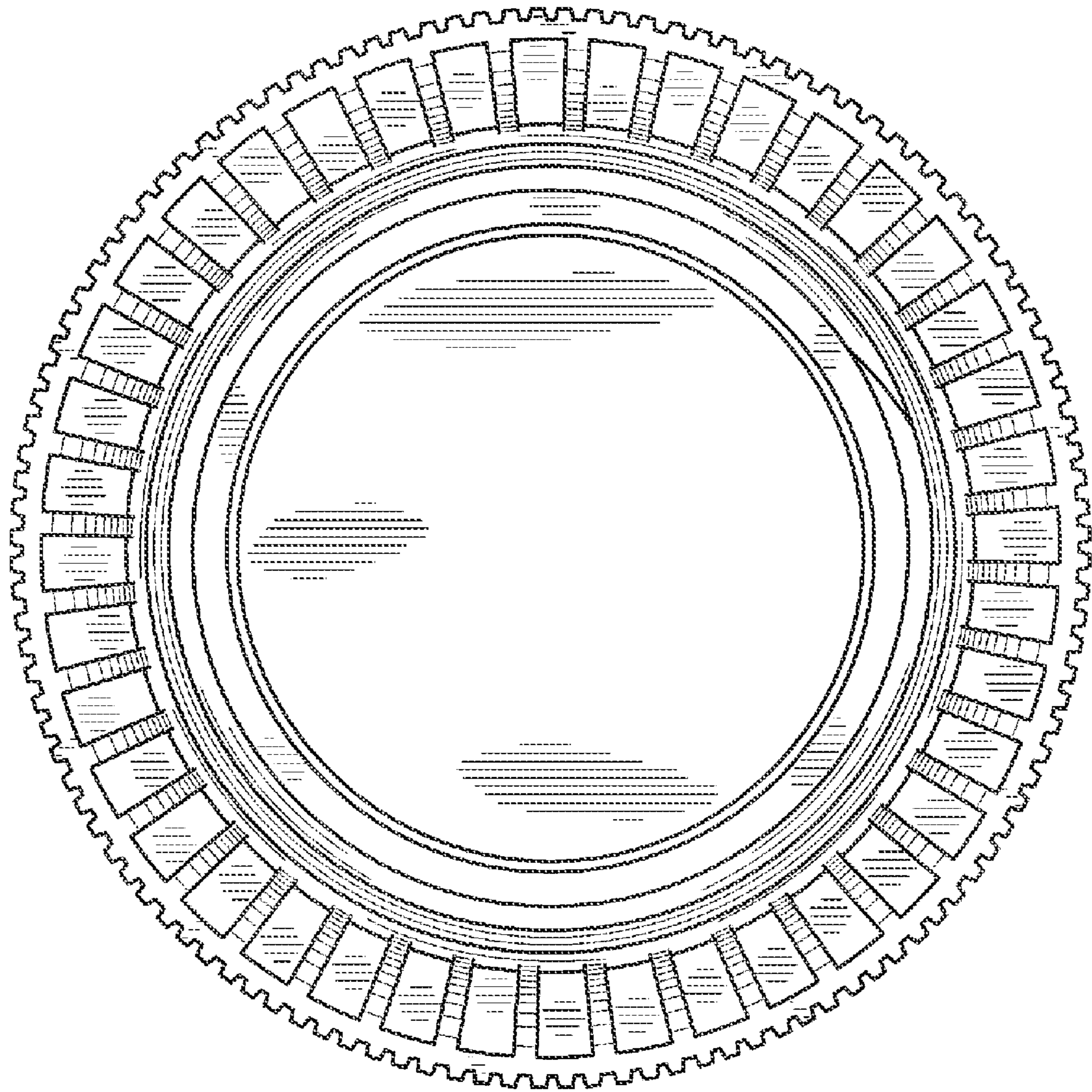


FIG. 5