



US00D587577S

(12) **United States Design Patent**
Ribera Turro et al.

(10) **Patent No.:** **US D587,577 S**
(45) **Date of Patent:** **** Mar. 3, 2009**

(54) **PUMP HEAD**

(75) Inventors: **Victor Ribera Turro**, Barcelona (ES);
Santiago Julian Pidevall, Barcelona
(ES)

(73) Assignee: **Meadwestvaco Corporation**, Glen
Allen, VA (US)

(**) Term: **14 Years**

(21) Appl. No.: **29/324,916**

(22) Filed: **Sep. 23, 2008**

Related U.S. Application Data

(62) Division of application No. 29/280,691, filed on Jun. 5,
2007, now Pat. No. Des. 579,773.

(51) **LOC (9) Cl.** **09-07**

(52) **U.S. Cl.** **D9/448**

(58) **Field of Classification Search** D9/754,
D9/753, 752, 741, 728, 724, 697, 695, 529,
D9/524, 516, 454, 447, 445, 444, 442, 443,
D9/440, 439, 435, 434, 441, 686-693, 448,
D9/438; D7/679, 590-597, 511, 510, 401.1,
D7/398; 241/169, 169.1, 168; 229/906.1;
222/567, 566, 545, 482, 480, 356, 151, 149,
222/142.1-142.9, 635, 494, 491; 220/713,
220/254.1, 703, 269, 200, 234, 295, 304,
220/310.1, 378, 795, 804, 849, DIG. 19,
220/DIG. 4, DIG. 7, 915; D23/260, 259;
215/200, 231, 234, 364, DIG. 1; D24/216,
D24/222, 224, 231; D19/57, 43; D28/7,
D28/57

See application file for complete search history.

(56) **References Cited**

U.S. PATENT DOCUMENTS

D168,165 S * 11/1952 Lutz D7/398

D191,694 S * 11/1961 Blitz D9/448
D203,079 S * 11/1965 Clevenger D9/448
D219,125 S * 11/1970 Gortz D9/691
D234,342 S * 2/1975 Schick D9/436
D235,315 S * 6/1975 Kotuby D9/448
D316,972 S * 5/1991 Law et al. D9/448
D389,407 S * 1/1998 Mascitelli D9/448
D505,326 S * 5/2005 Costa D9/448

* cited by examiner

Primary Examiner—Susan Bennett Hattan

(57) **CLAIM**

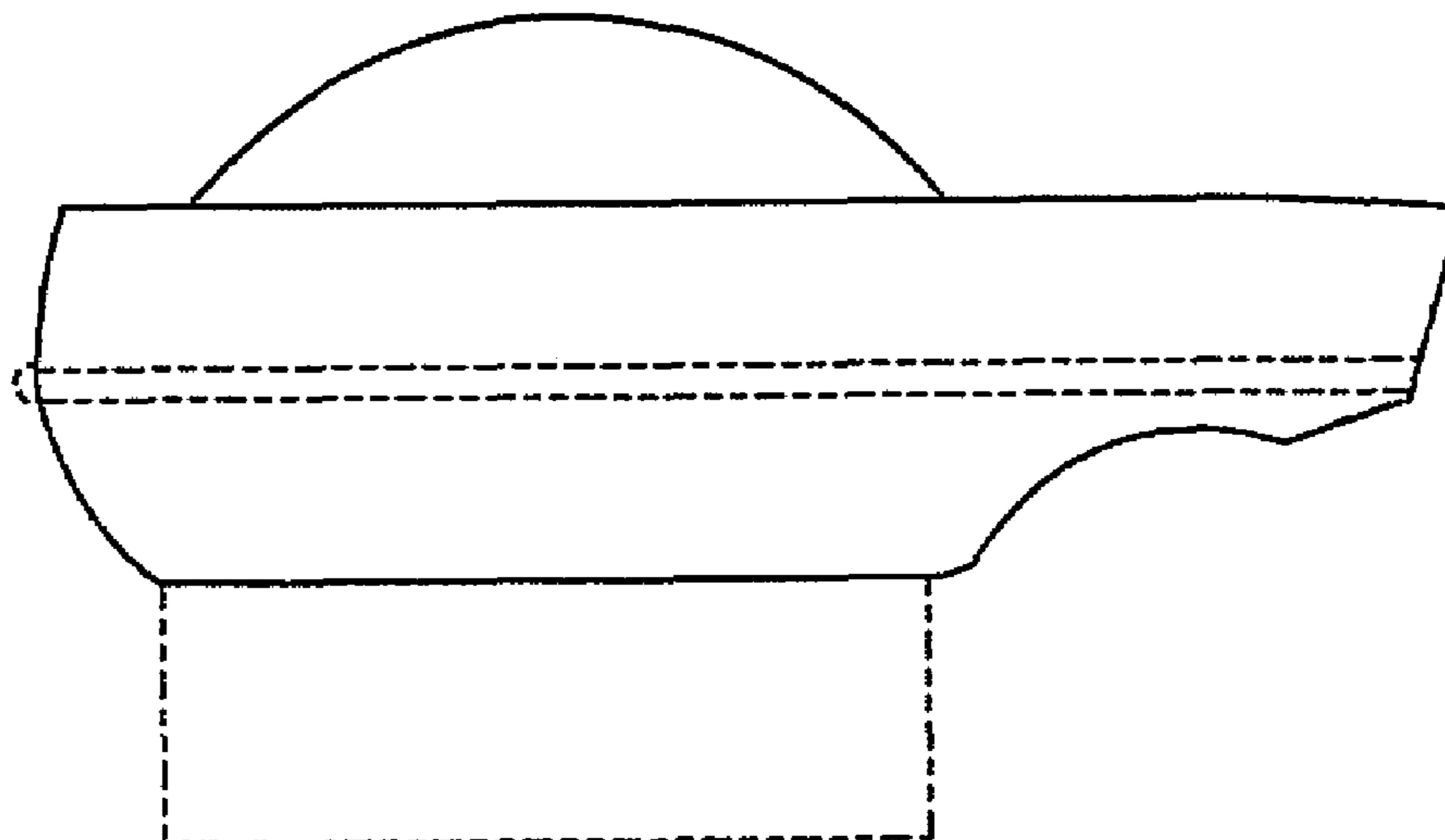
The ornamental design for a pump head, as shown and
described.

DESCRIPTION

FIG. 1 illustrates a side view of the pump head;
FIG. 2 illustrates a side view of the pump head of FIG. 1;
FIG. 3 illustrates a front view of the pump head of FIG. 1;
FIG. 4 illustrates a rear view of the pump head of FIG. 1;
FIG. 5 illustrates a top view of the pump head of FIG. 1;
FIG. 6 illustrates a bottom view of the pump head of FIG. 1;
FIG. 7 illustrates a perspective view of the pump head of FIG.
1; and,
FIG. 8 illustrates a perspective view of the pump head of FIG.
1.

The broken lines in the drawings depict environmental sub-
ject matter only and form no part of the claimed design.

1 Claim, 4 Drawing Sheets



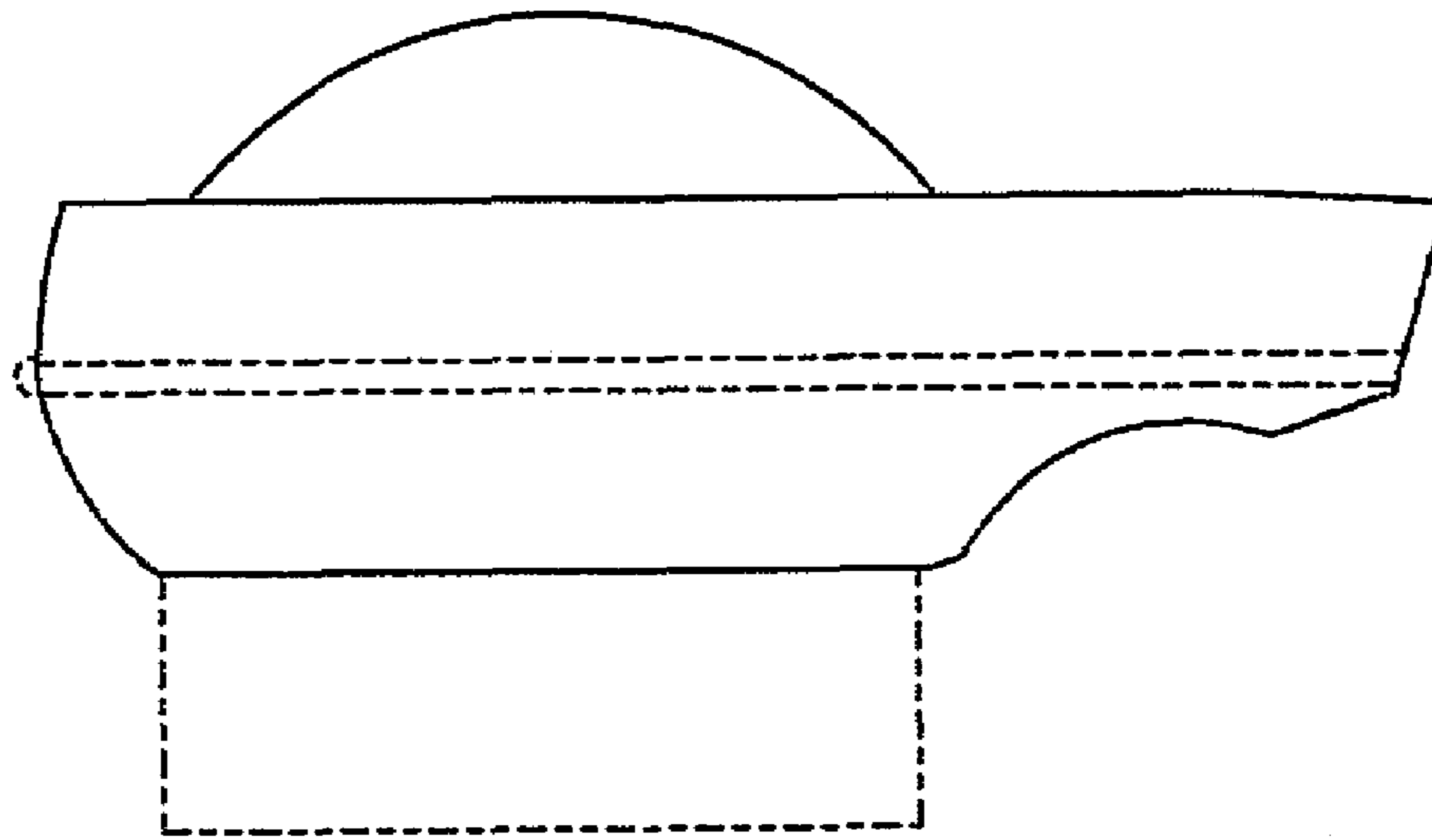


FIG. 1

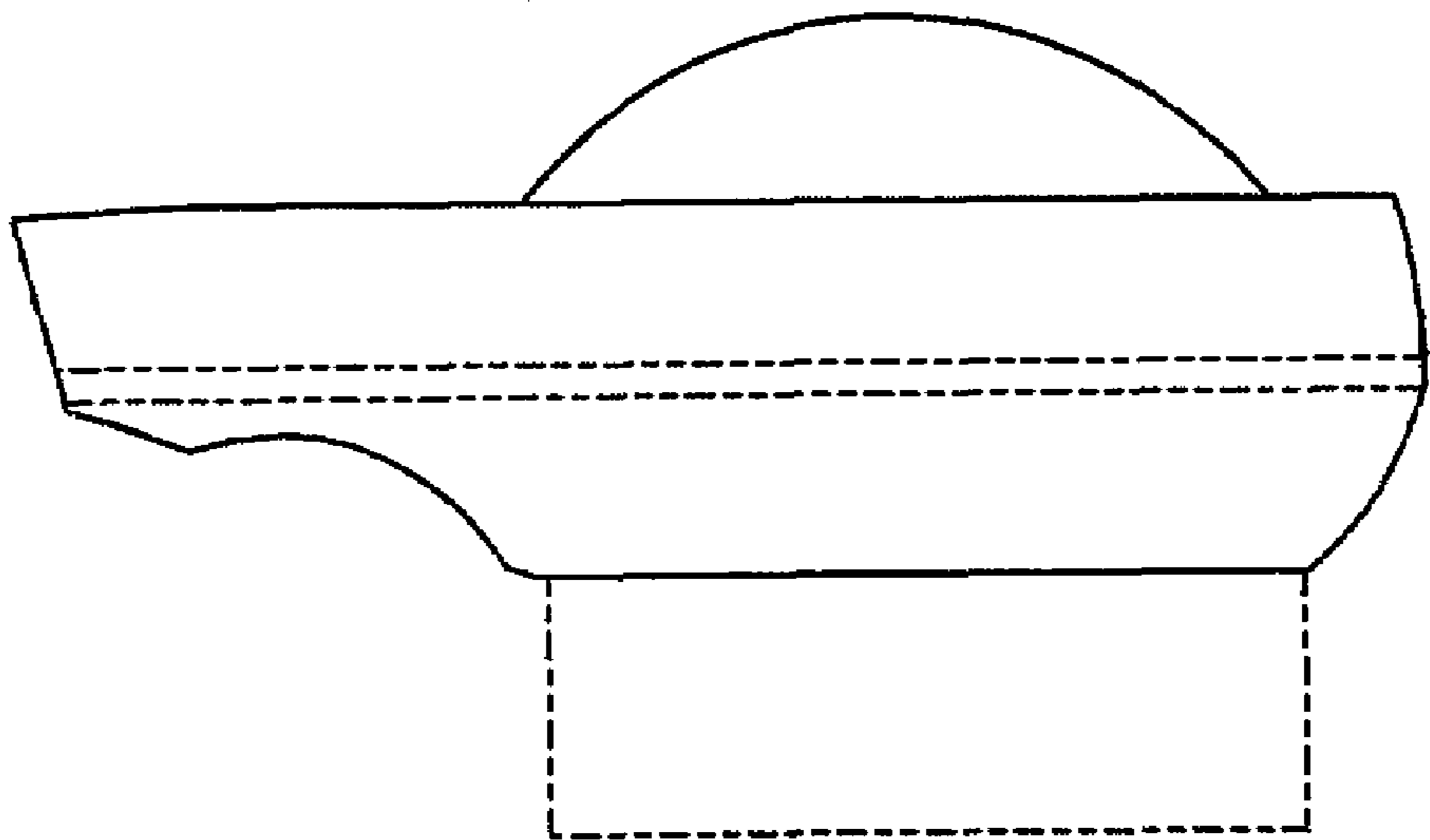


FIG. 2

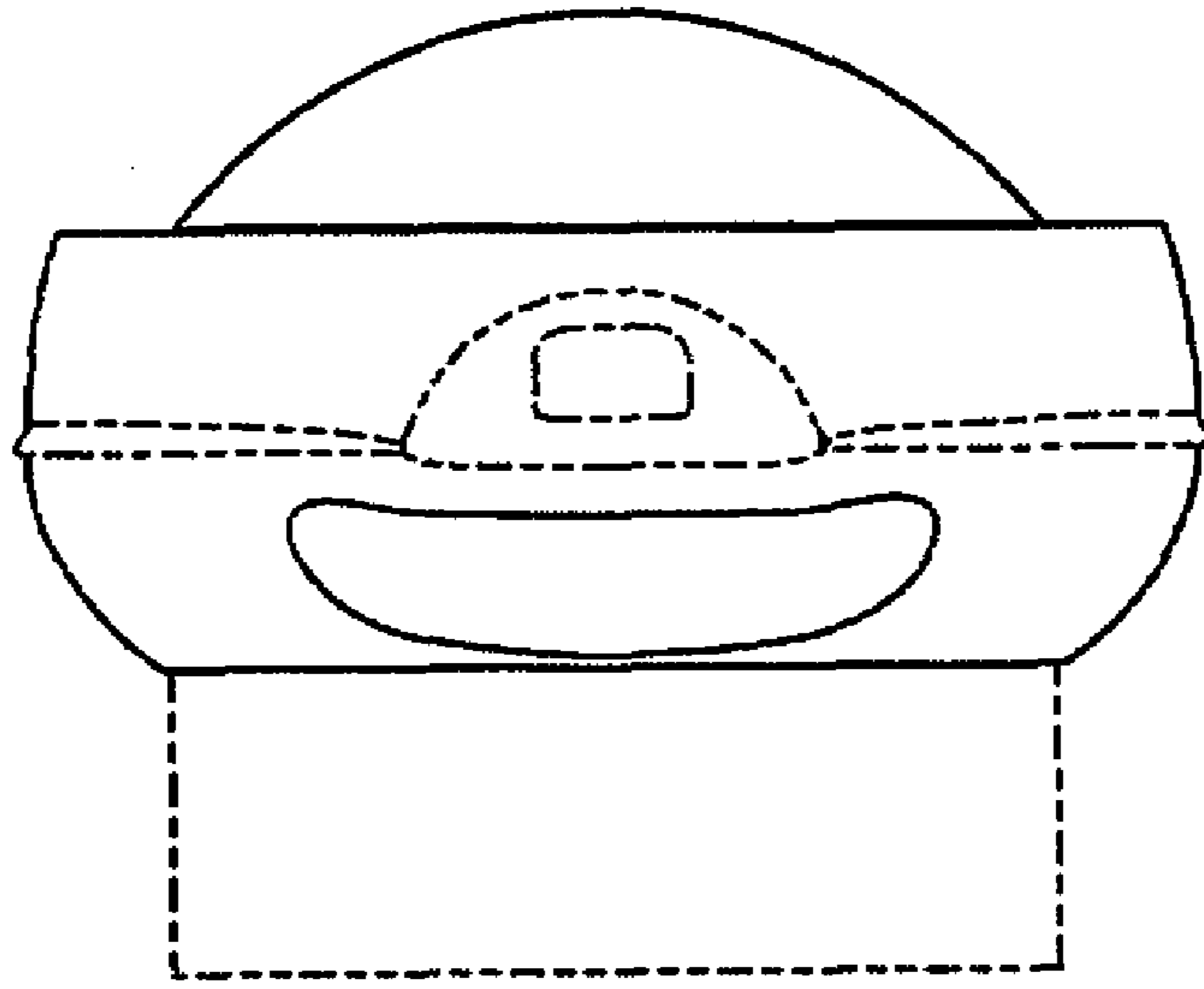


FIG. 3

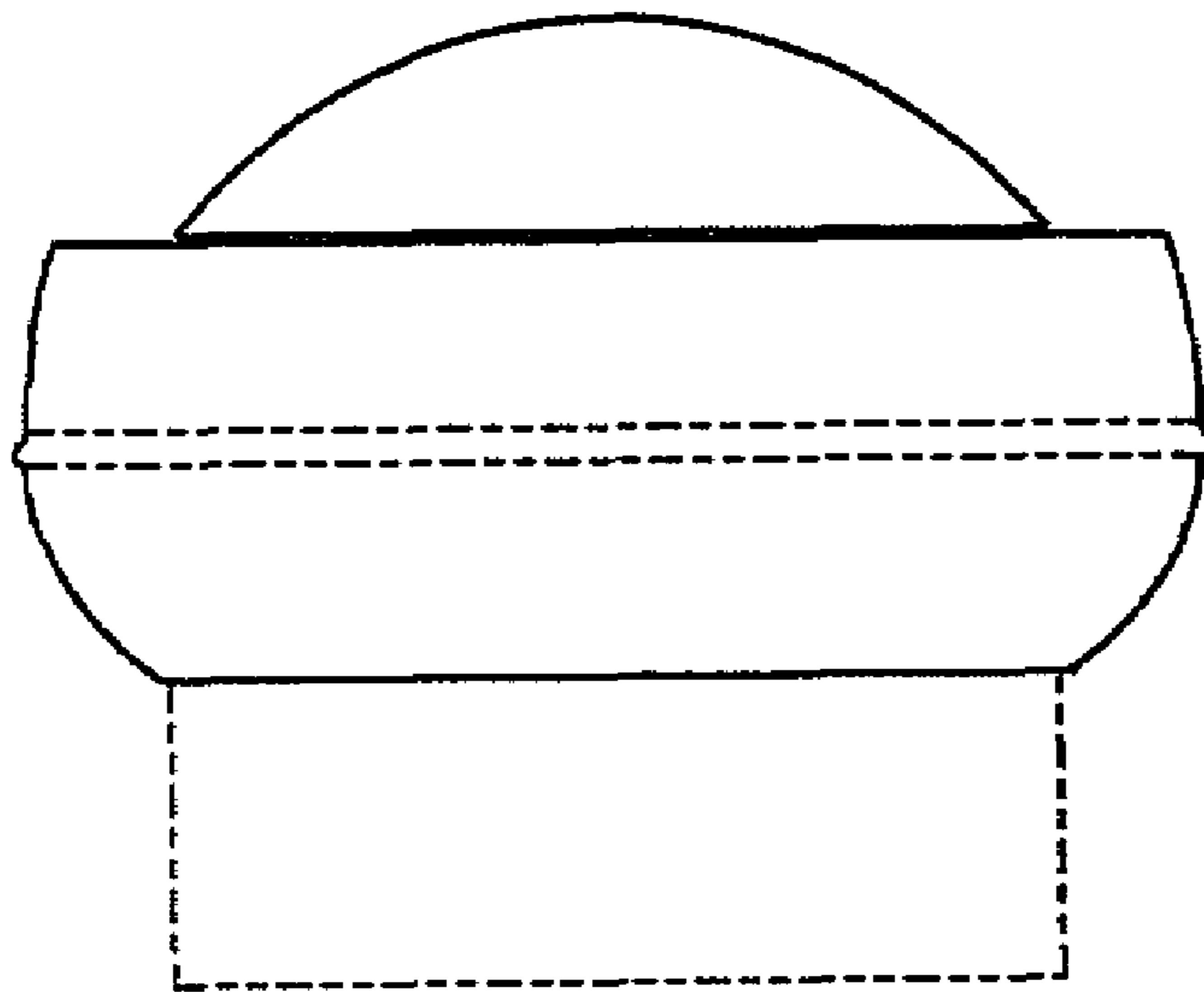


FIG. 4

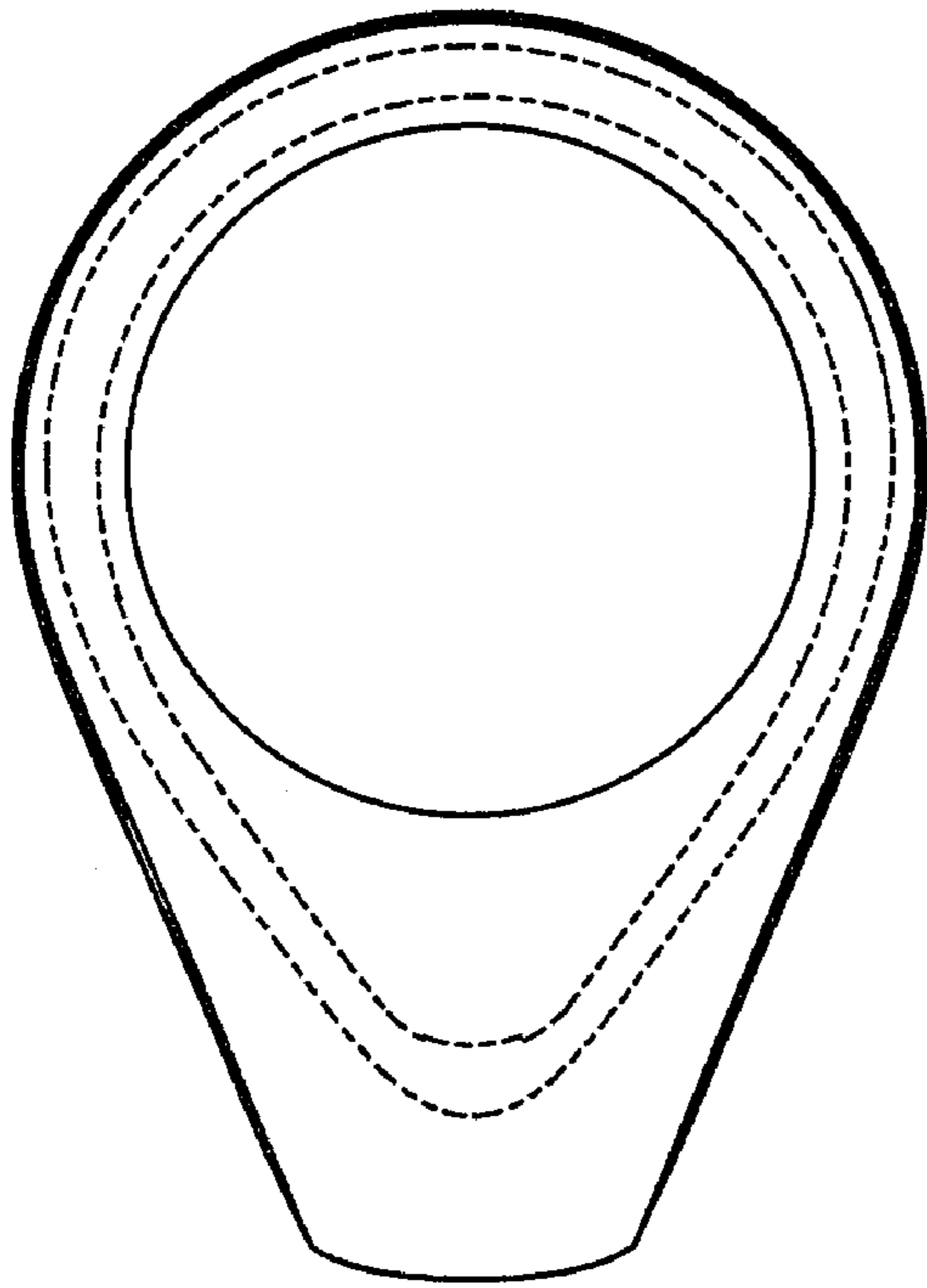


FIG. 5

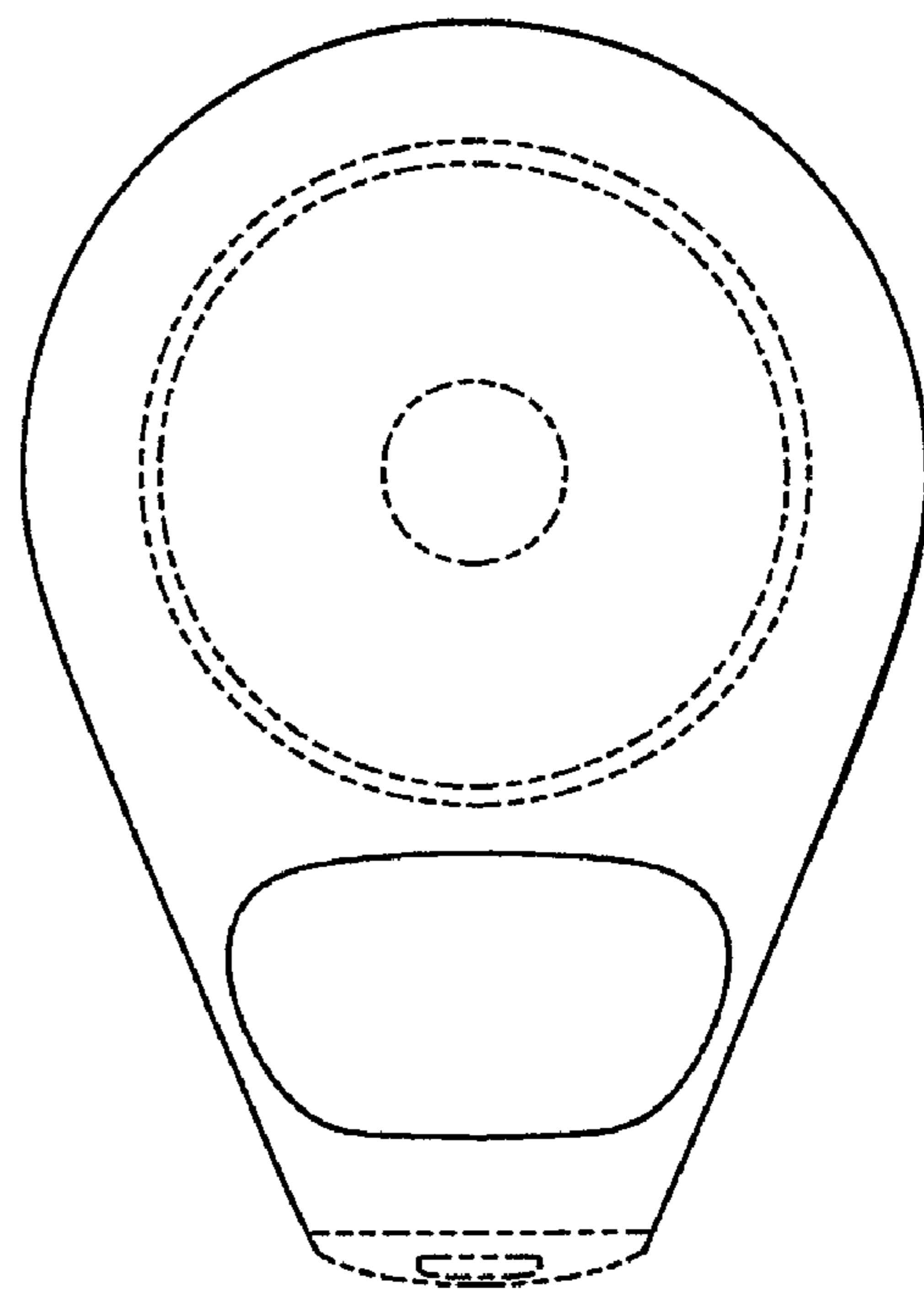


FIG. 6

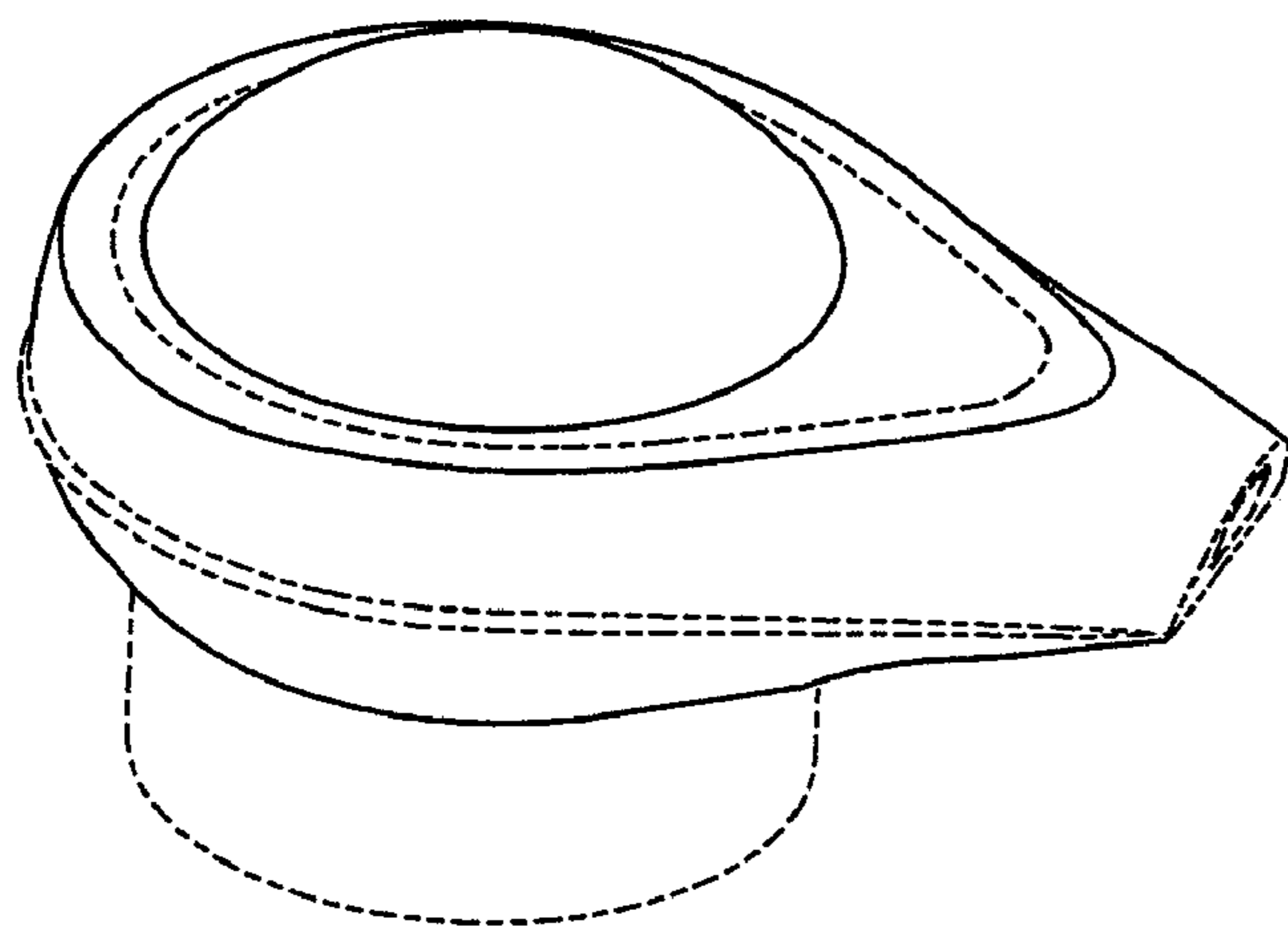


FIG. 7

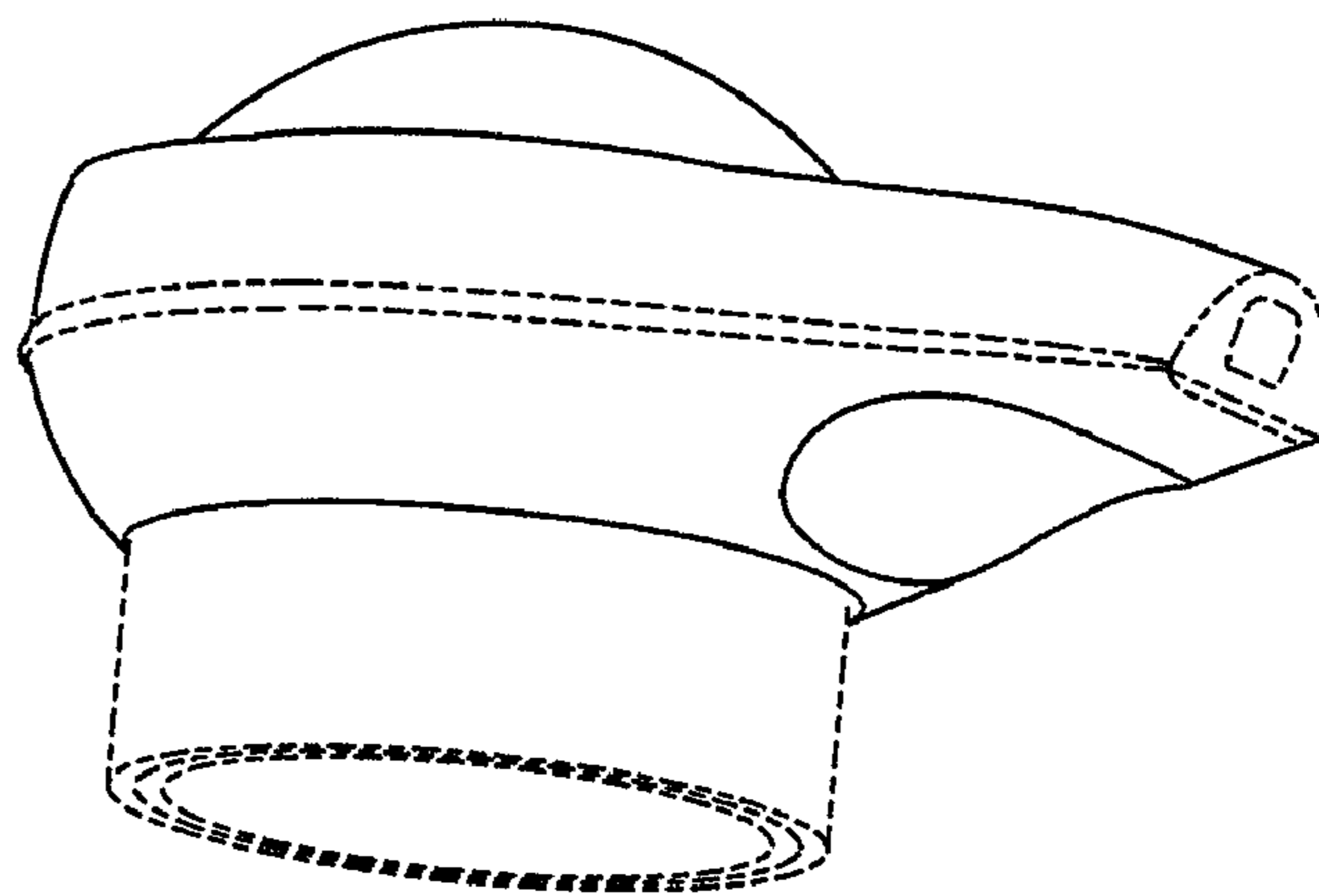


FIG. 8