



US00D587572S

(12) **United States Design Patent**
Sanders

(10) **Patent No.:** **US D587,572 S**

(45) **Date of Patent:** **** Mar. 3, 2009**

(54) **COMBINED BOTTLE CAP AND HOLDER**

(76) Inventor: **John M. Sanders**, 2108 Fairway Dr.,
Minneapolis, MN (US) 55421

(**) Term: **14 Years**

(21) Appl. No.: **29/293,733**

(22) Filed: **Dec. 11, 2007**

(51) **LOC (9) Cl.** **09-07**

(52) **U.S. Cl.** **D9/443; D9/454**

(58) **Field of Classification Search** D9/726,
D9/689, 680, 600, 529, 504, 503, 499, 454,
D9/449, 445, 444, 439, 435, 434, 428; D7/398,
D7/395, 387, 391, 392.1, 393; D28/87, 79,
D28/196, 250; D22/116; 220/802, 801,
220/713, 712, 521, 254.7; 16/421
See application file for complete search history.

(56) **References Cited**

U.S. PATENT DOCUMENTS

D34,168 S *	3/1901	Gilchrist	D9/454
D157,363 S *	2/1950	Frankel	D7/391
2,913,140 A *	11/1959	Vuilleminot	220/210
D211,979 S *	8/1968	Dru	D9/443
D212,185 S *	9/1968	O'Leary	D9/439
D217,438 S *	5/1970	Balbach	D9/504
3,578,467 A *	5/1971	Huber	426/112
D228,345 S *	9/1973	Kleinman	D9/439

D254,241 S *	2/1980	Morin	D7/612
D300,895 S *	5/1989	Watson et al.	D7/392.1
D336,817 S *	6/1993	Wilcox, Jr.	D7/392
D441,290 S *	5/2001	West	D9/443
D441,599 S *	5/2001	Garber et al.	D7/391
D460,692 S	7/2002	Cumberbatch	D9/500
D480,598 S	10/2003	Teisen-Simony et al.	D7/391

* cited by examiner

Primary Examiner—Susan B Hattan

(74) *Attorney, Agent, or Firm*—Richard John Bartz

(57) **CLAIM**

The ornamental design of a combined bottle cap and holder, as shown and described.

DESCRIPTION

FIG. 1 is a perspective view of a combined bottle cap and holder of my new design;

FIG. 2 is a front elevational view thereof;

FIG. 3 is a rear elevational view thereof;

FIG. 4 is a top plan view thereof;

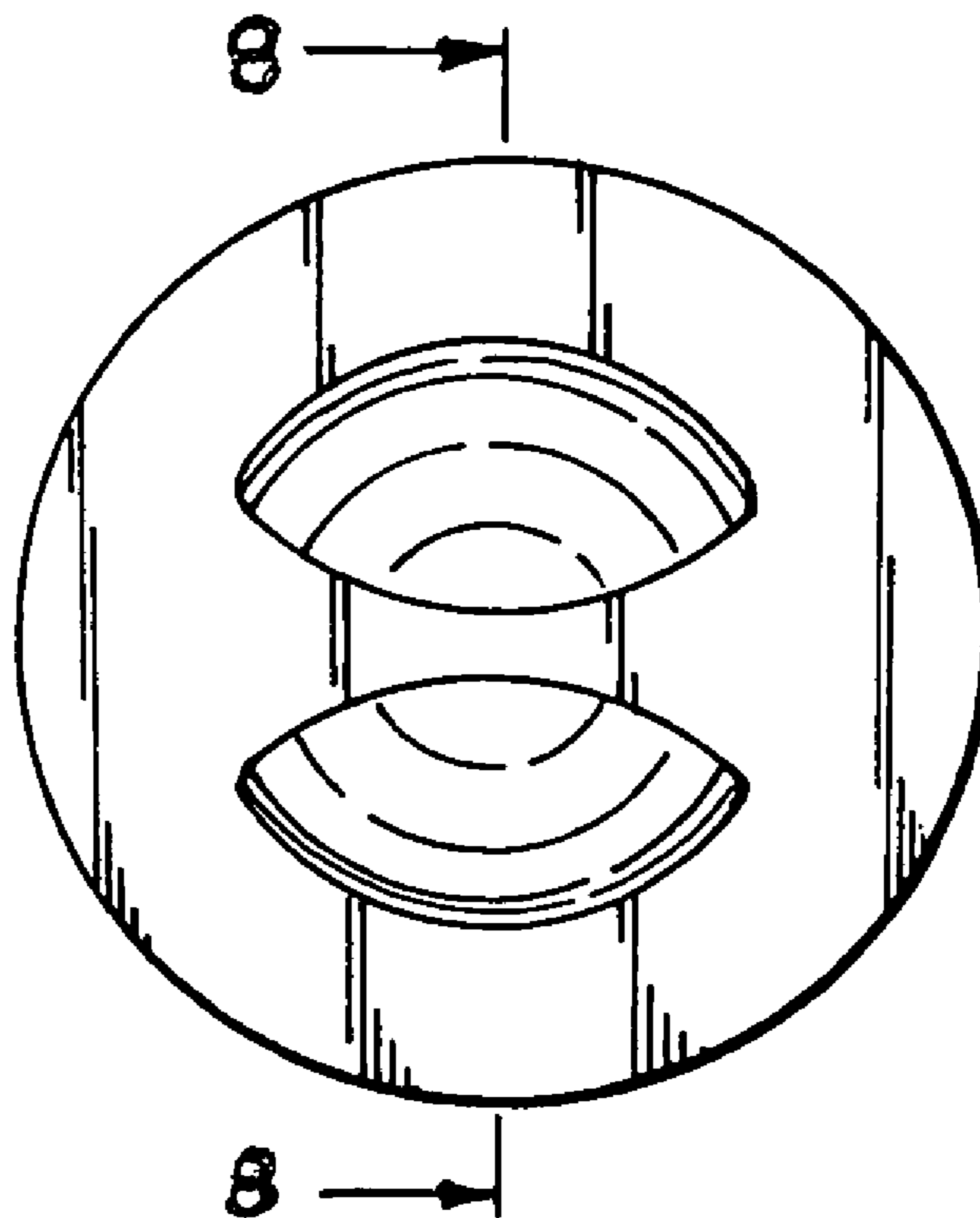
FIG. 5 is a side elevational view of the right side thereof;

FIG. 6 is a side elevational view of the left side thereof;

FIG. 7 is a bottom plan view thereof; and,

FIG. 8 is a sectional view taken along the line 8—8 of FIG. 4.

1 Claim, 1 Drawing Sheet



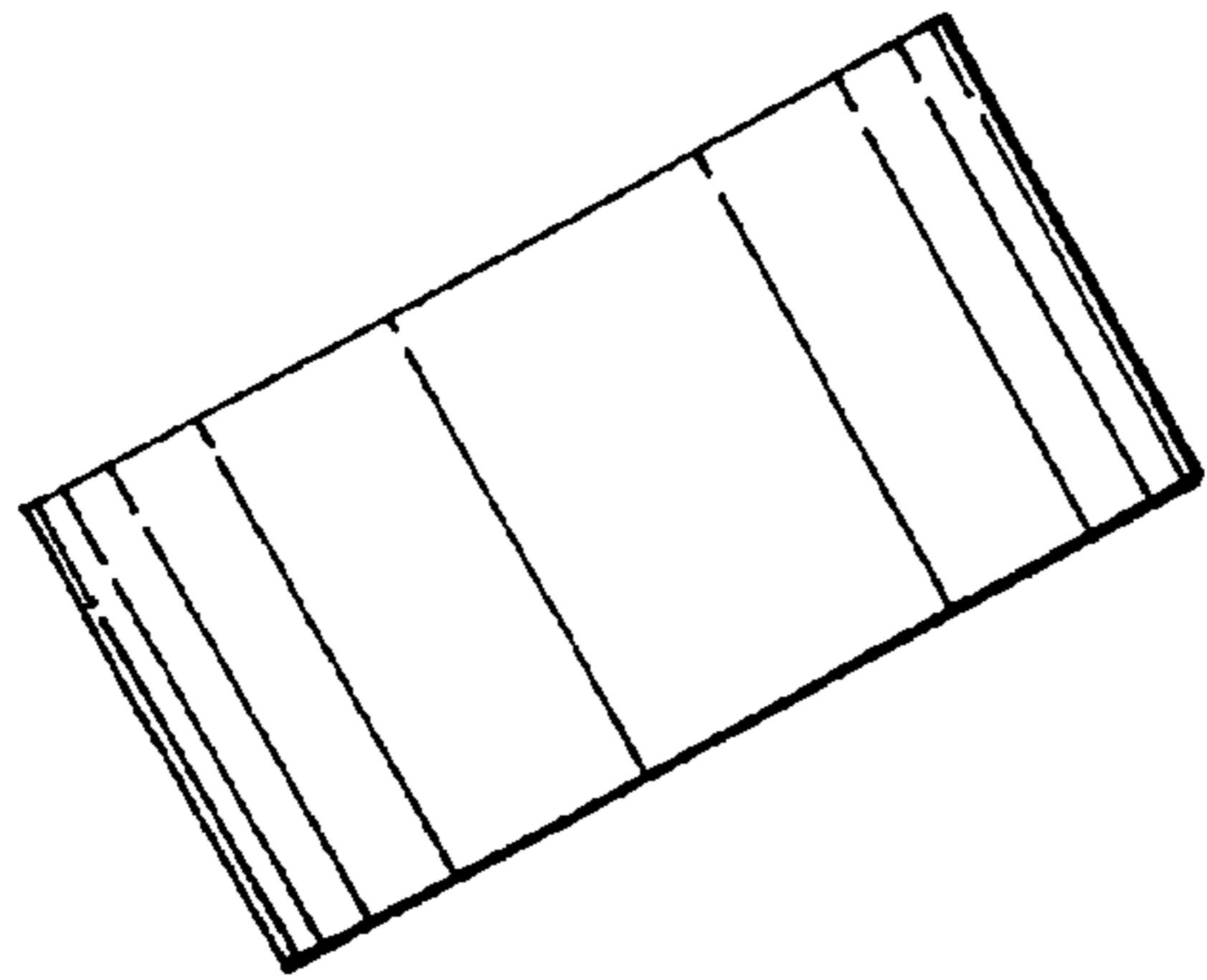


FIG. 1

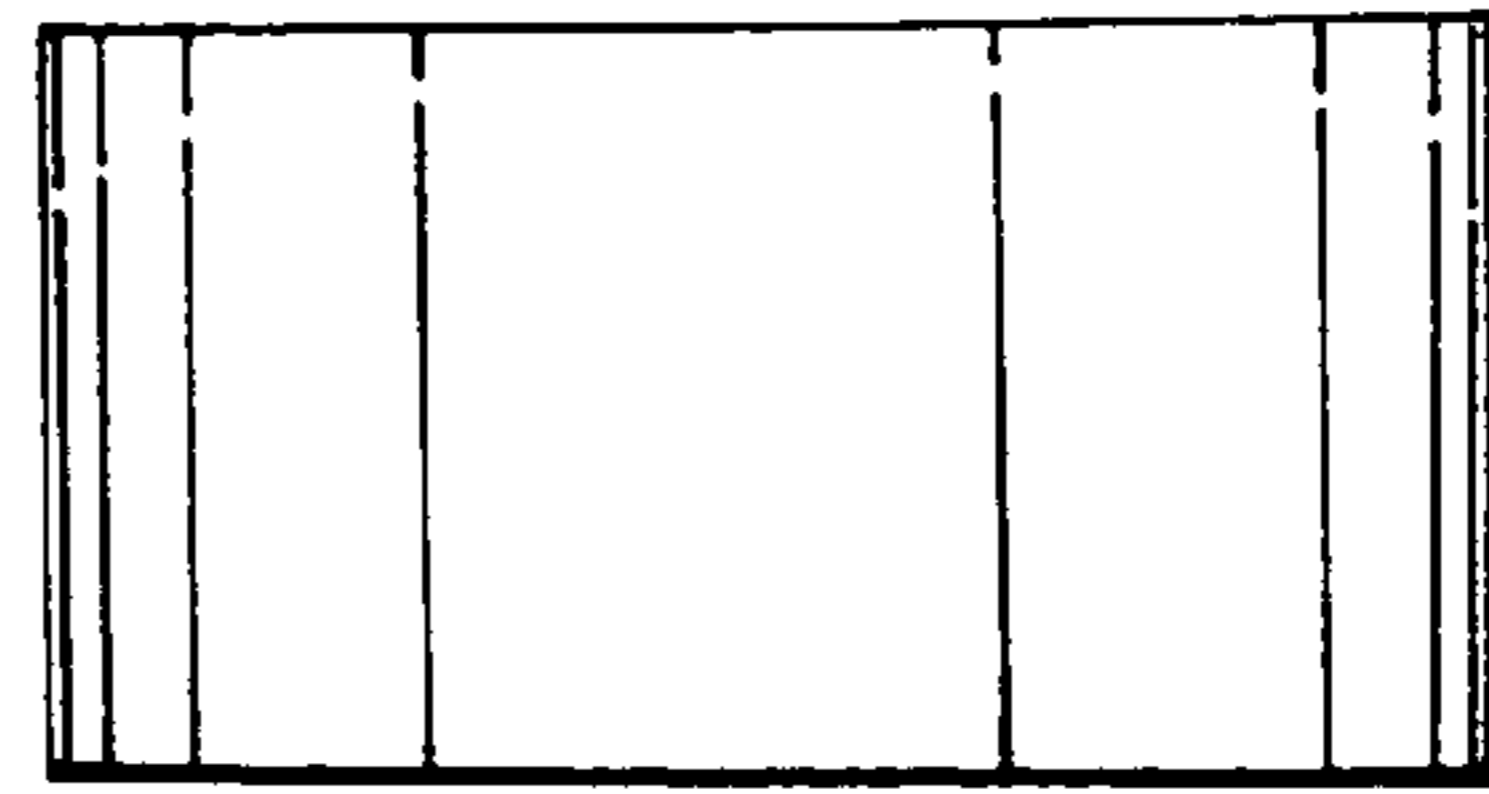


FIG. 2

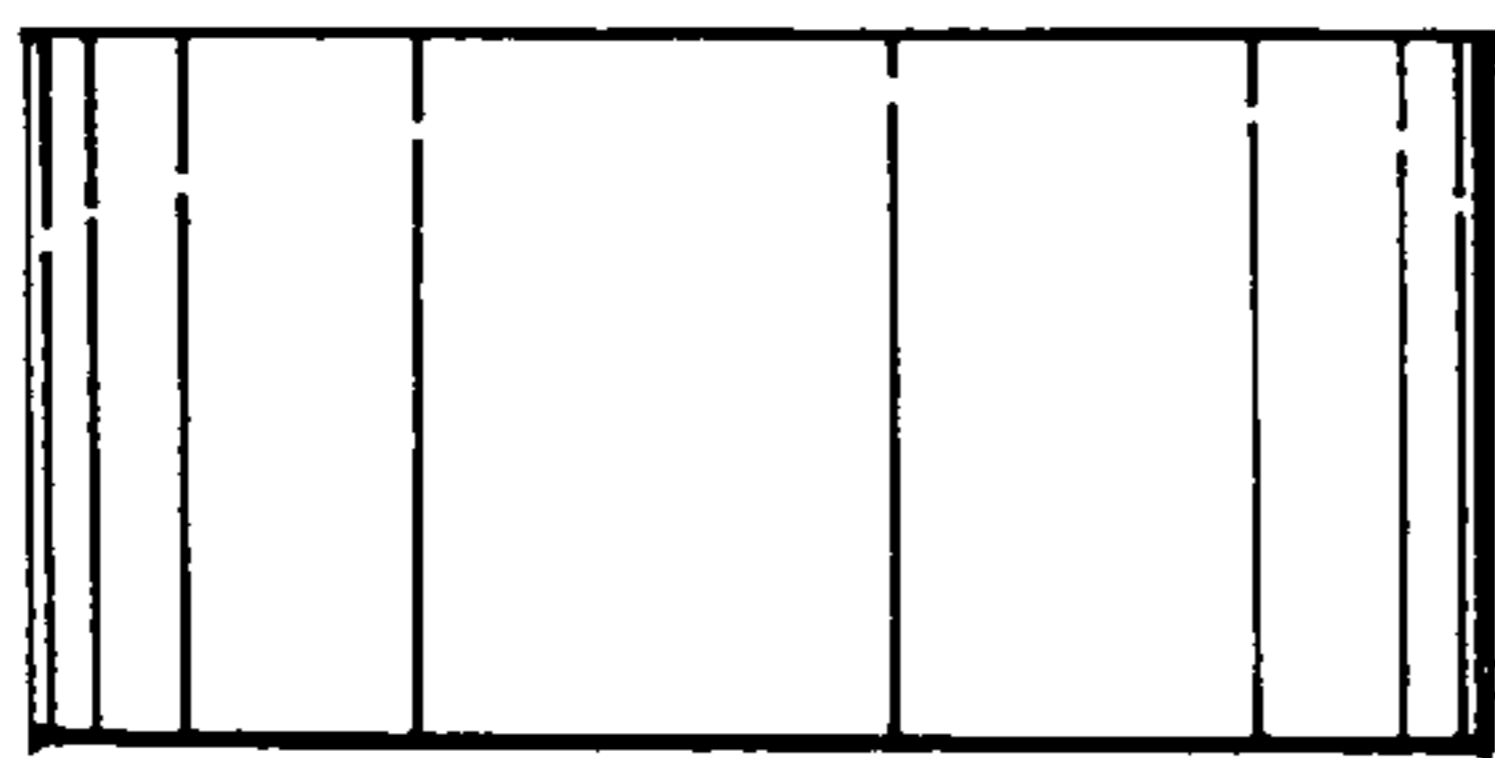


FIG. 3

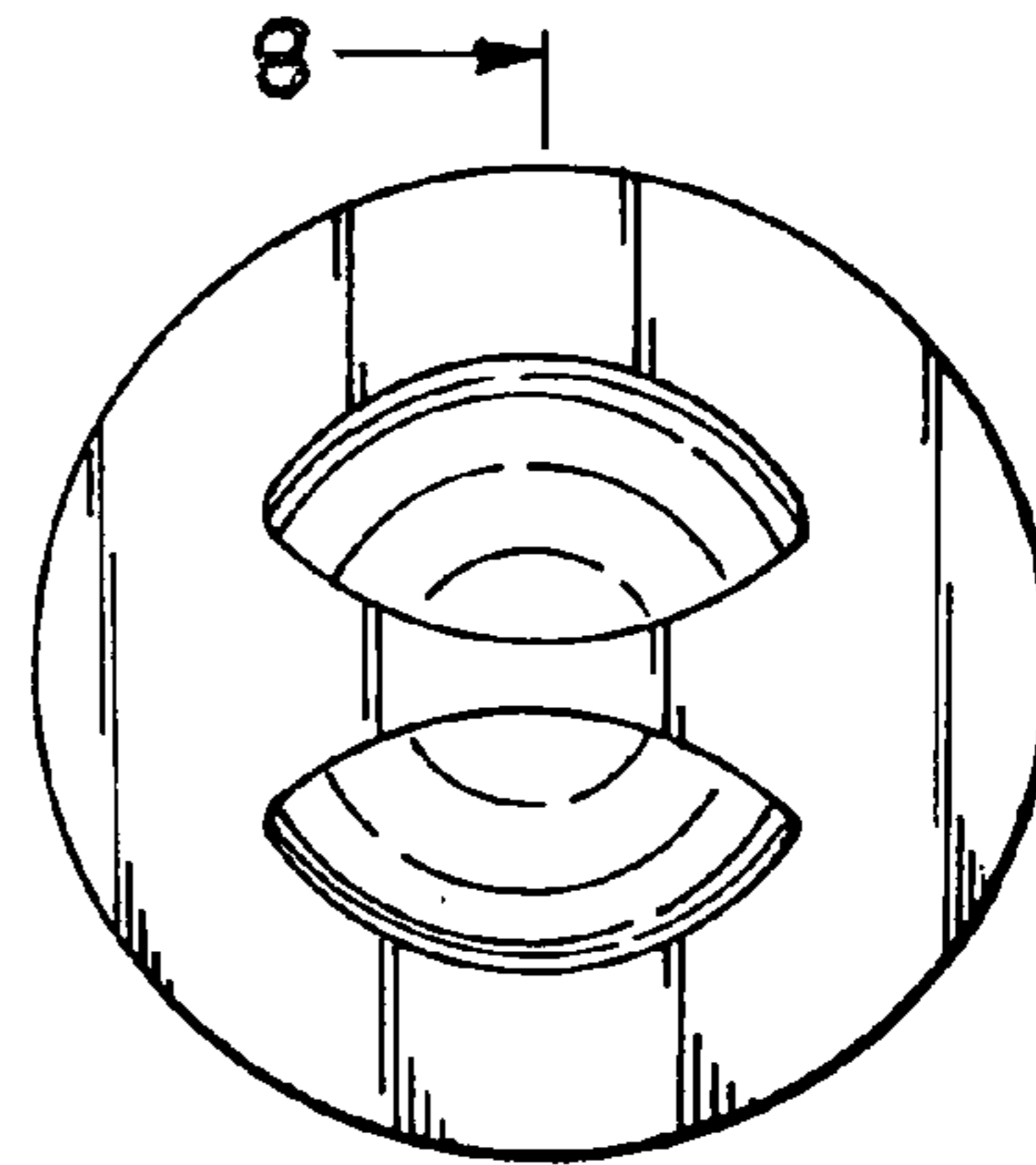


FIG. 4

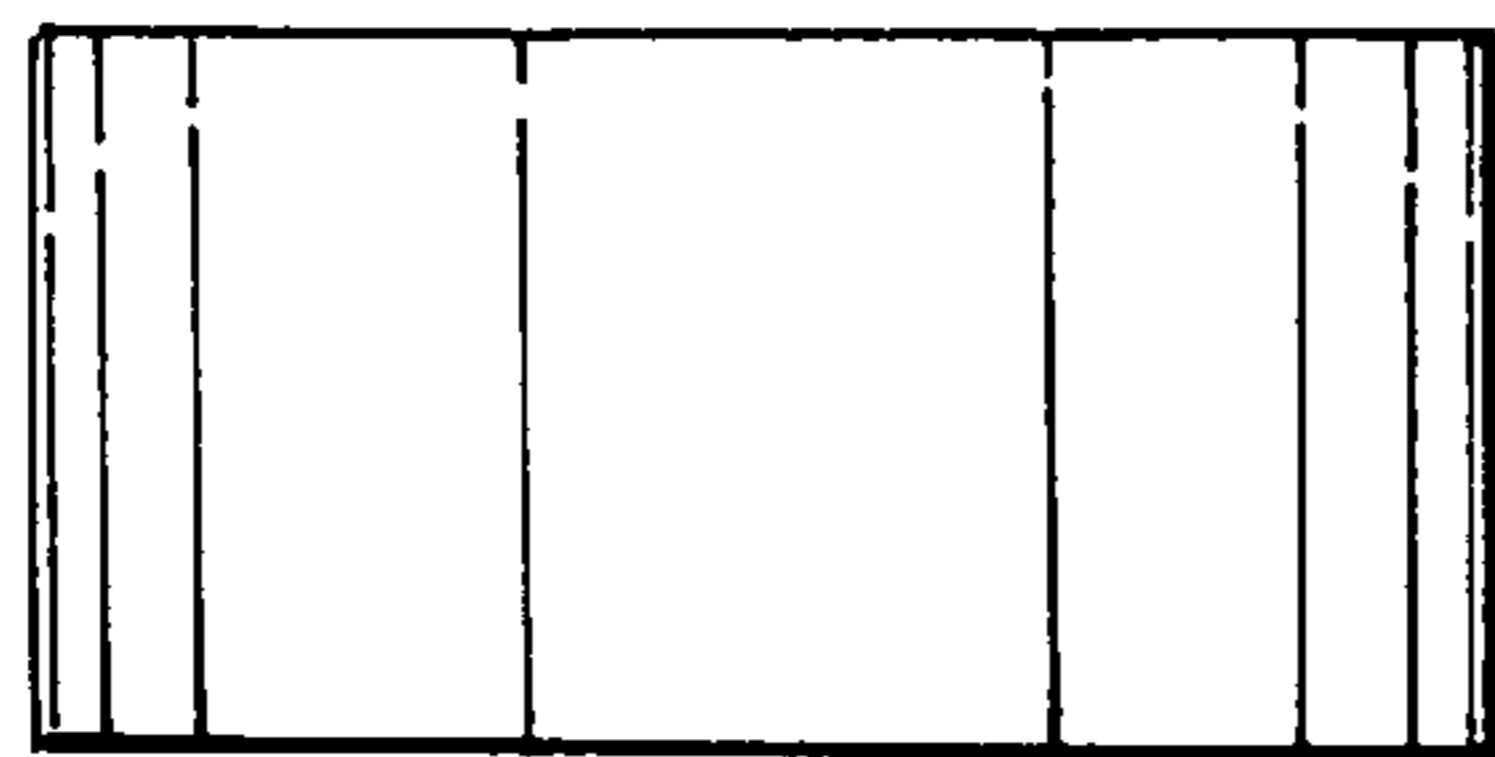


FIG. 5

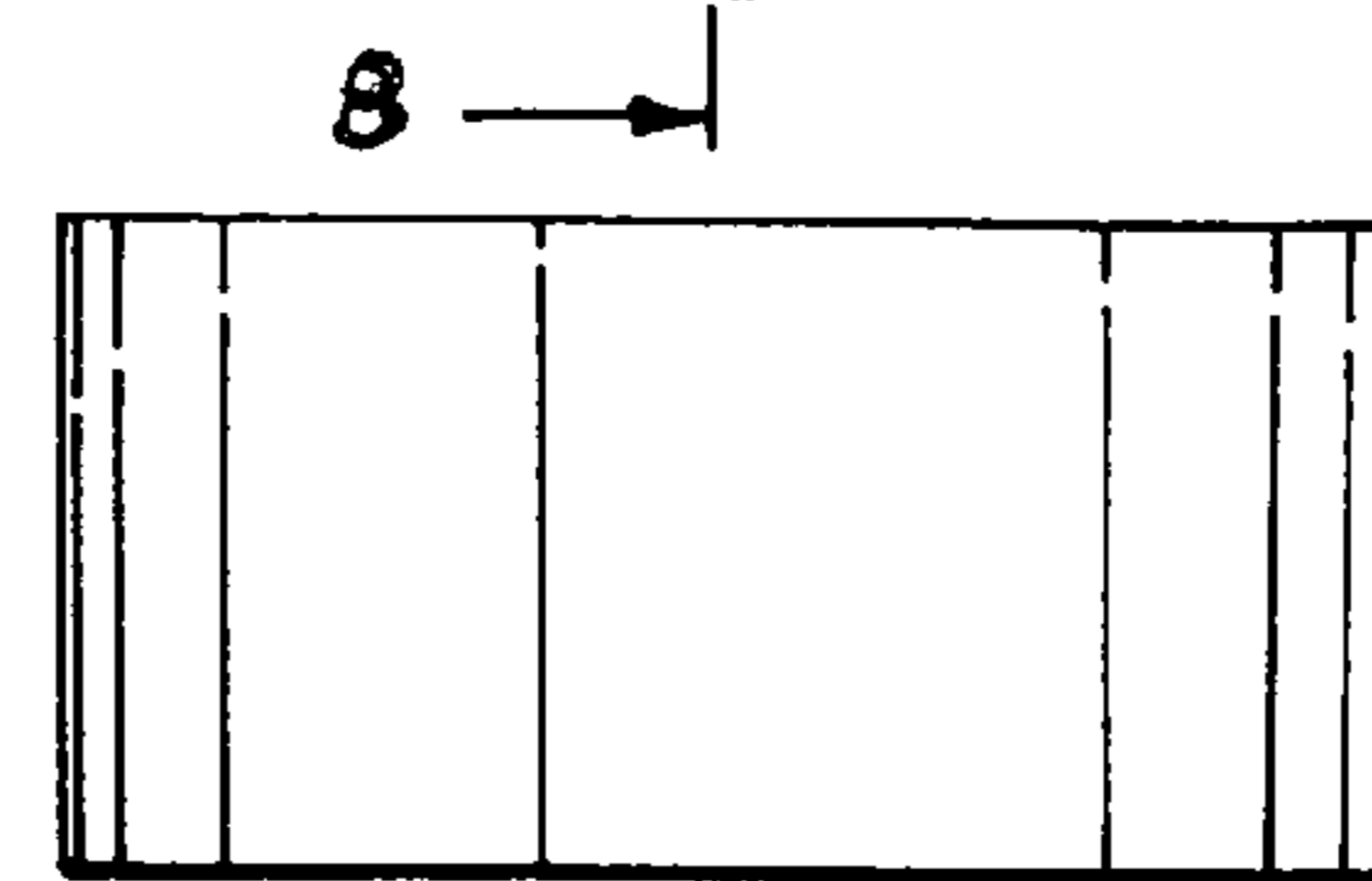


FIG. 6

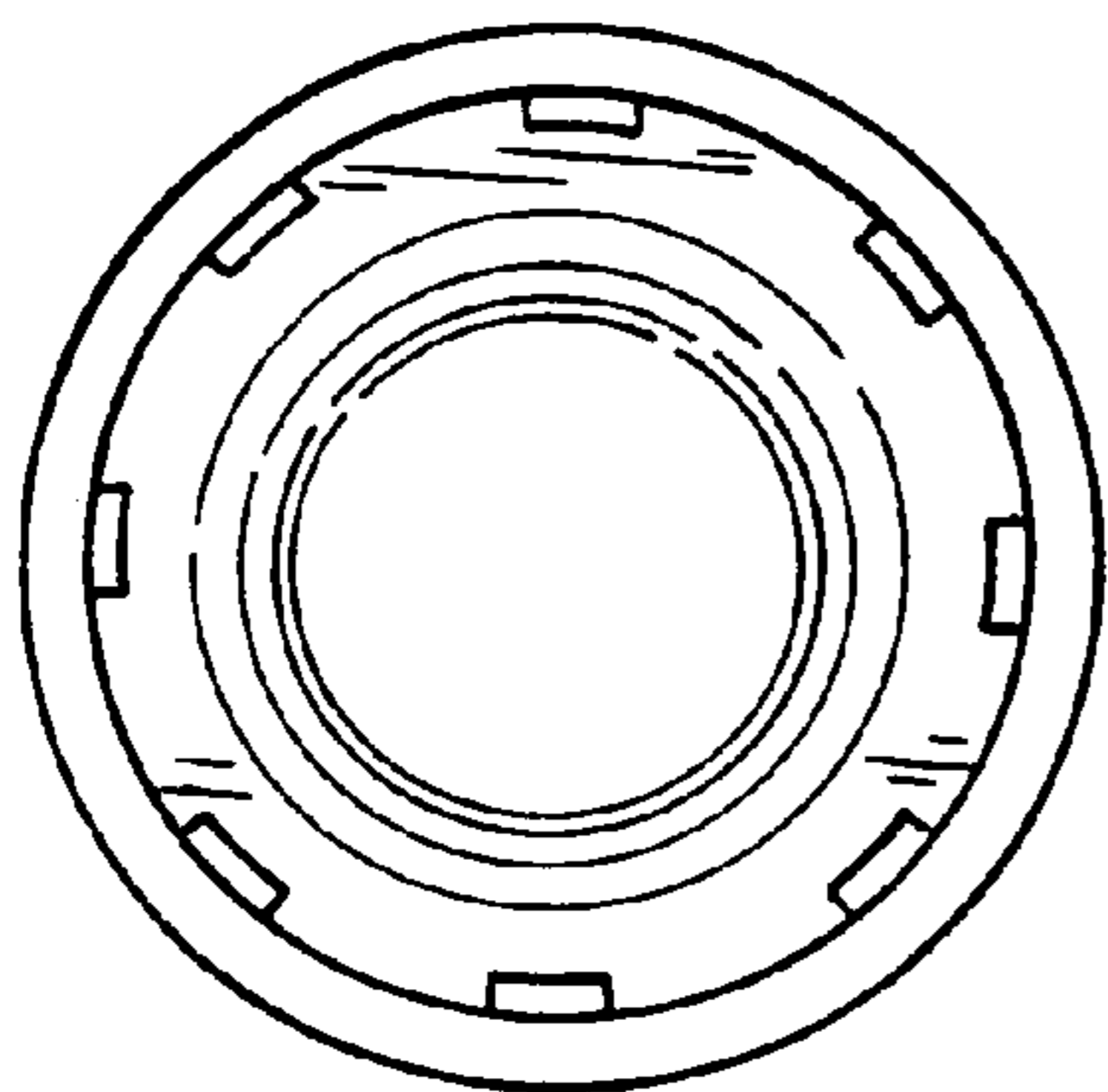


FIG. 7

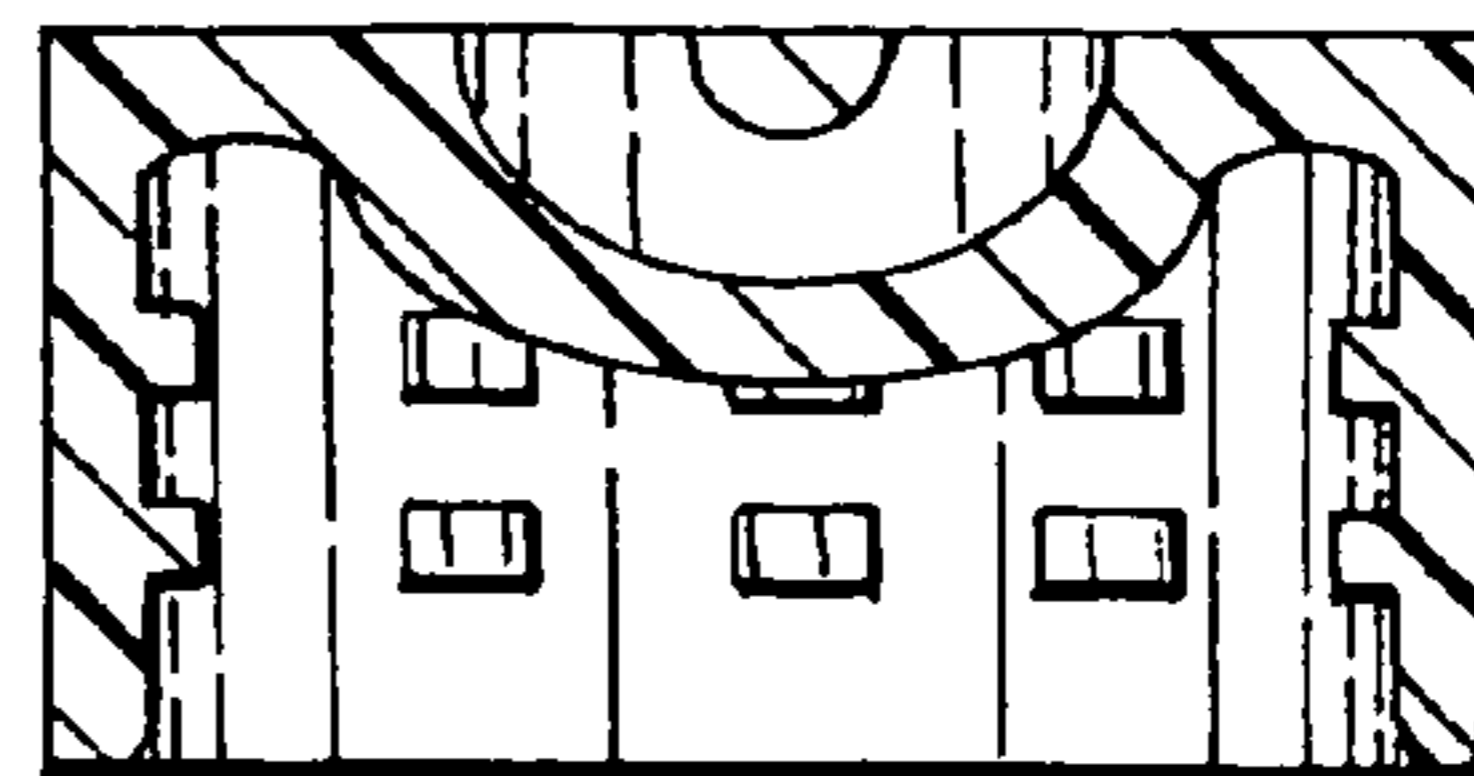


FIG. 8