



US00D587569S

(12) **United States Design Patent**
Eveleth

(10) **Patent No.:** **US D587,569 S**
(45) **Date of Patent:** **** Mar. 3, 2009**

(54) **BEVERAGE BOTTLE HANDLE**

(76) Inventor: **Bradley Eveleth**, 24021 Stoneridge Rd.,
Rapid City, SD (US) 57702

(**) Term: **14 Years**

(21) Appl. No.: **29/301,388**

(22) Filed: **Feb. 26, 2008**

(51) **LOC (9) Cl.** **09-07**

(52) **U.S. Cl.** **D9/434**

(58) **Field of Classification Search** D9/499,
D9/454, 443, 435, 434; D8/372, 371; D7/622,
D7/396.2, 387; D3/328, 316, 201; D17/24;
D11/4; 446/74; 40/310, 665; 294/87.2,
294/31.2, 26, 170, 164, 159, 137; 248/95;
224/148.4; 220/769, 759, 758, 755, 754,
220/752, 741, 737, 694, 212; 215/396, 395,
215/386

See application file for complete search history.

(56) **References Cited**

U.S. PATENT DOCUMENTS

904,237	A *	11/1908	Thessen	220/758
1,486,967	A *	3/1924	Kaufman	294/31.2
2,617,676	A *	11/1952	Kinney, Jr.	294/31.2
2,781,959	A *	2/1957	Loveland	224/572
3,116,947	A *	1/1964	Brownrigg	294/31.2
3,682,352	A *	8/1972	Doucette	220/754
D257,426	S *	10/1980	D'Alo	D8/300
D277,554	S *	2/1985	Chabot	D9/434
4,627,546	A *	12/1986	Carranza	215/396
4,724,971	A *	2/1988	Henline	215/396
D348,002	S *	6/1994	Jones	D3/316
D357,387	S *	4/1995	Davidson et al.	D7/622
5,441,320	A *	8/1995	Strong	294/31.2
5,573,152	A *	11/1996	Arnold	224/148.4
D403,958	S *	1/1999	Stepak	D9/434

D413,800	S *	9/1999	Caparros et al.	D9/752
6,135,312	A *	10/2000	Chen	220/737
D489,263	S *	5/2004	Sinanian	D9/455
2008/0061025	A1 *	3/2008	Egnatski	215/396

* cited by examiner

Primary Examiner—Susan Bennett Hattan

(74) *Attorney, Agent, or Firm*—Gene R. Woodle

(57) **CLAIM**

The ornamental design for a beverage bottle handle, as shown and described.

DESCRIPTION

FIG. 1 is a top plan view of a beverage bottle handle showing the new design;

FIG. 2 is a side elevational view thereof;

FIG. 3 is an end elevational view thereof;

FIG. 4 is a right side elevational view of a bottle and bottle handle thereof;

FIG. 5 is a right side elevational view of a bottle and bottle handle thereof in a second position;

FIG. 6 is a front elevational view of a bottle and bottle handle thereof;

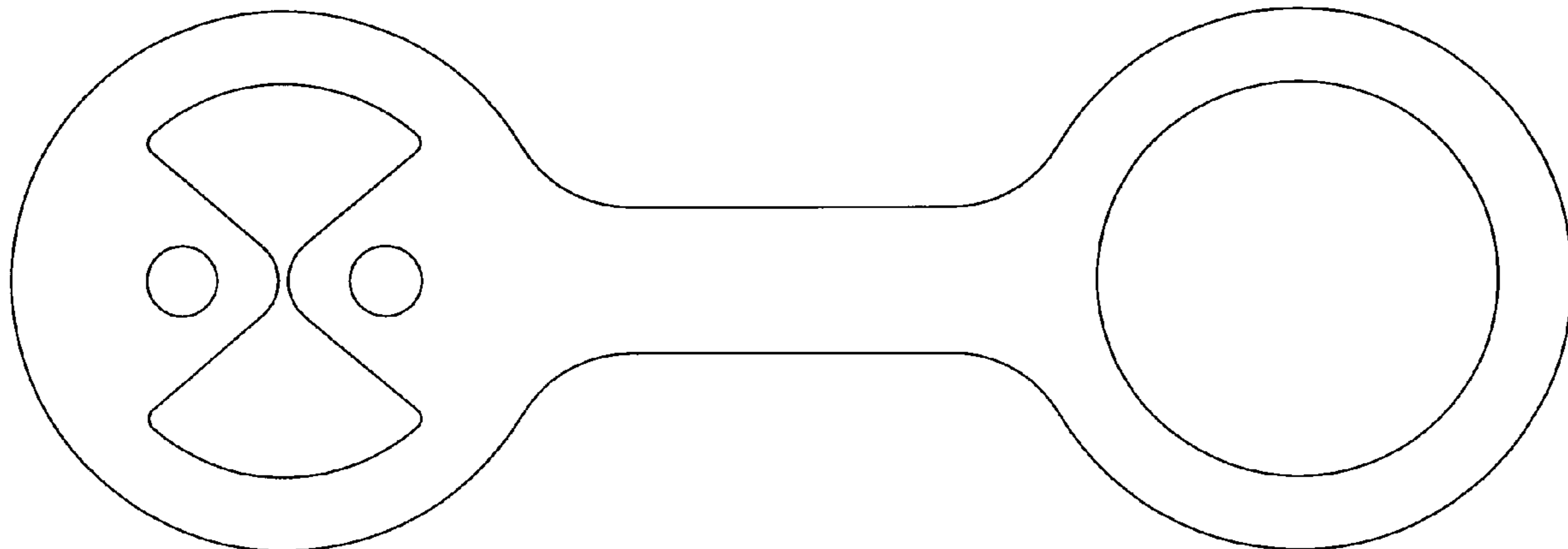
FIG. 7 is a front elevational view of a bottle and bottle handle thereof in a second position;

FIG. 8 is a rear elevational view of a bottle and bottle handle thereof; and,

FIG. 9 is a rear elevational view of a bottle and bottle handle thereof in a second position.

The broken line showing of a bottle is included for the purpose of depicting environment only and forms no part of the claimed design.

1 Claim, 4 Drawing Sheets



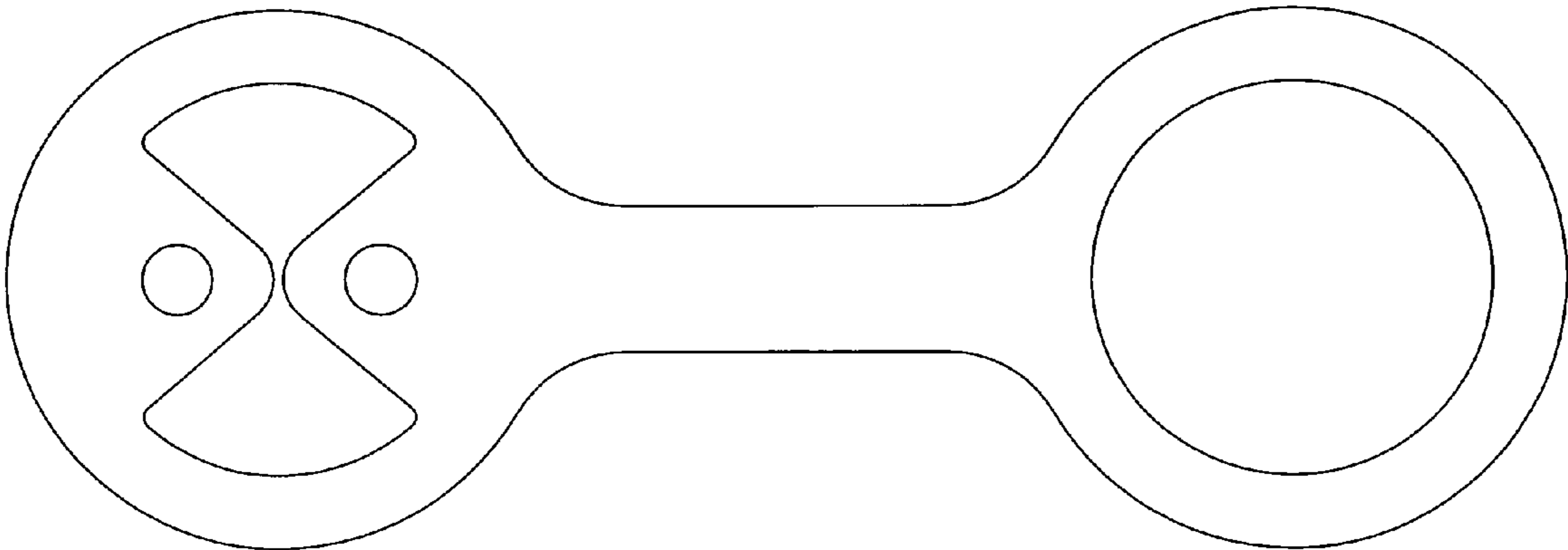


FIG. 1



FIG. 2



FIG. 3

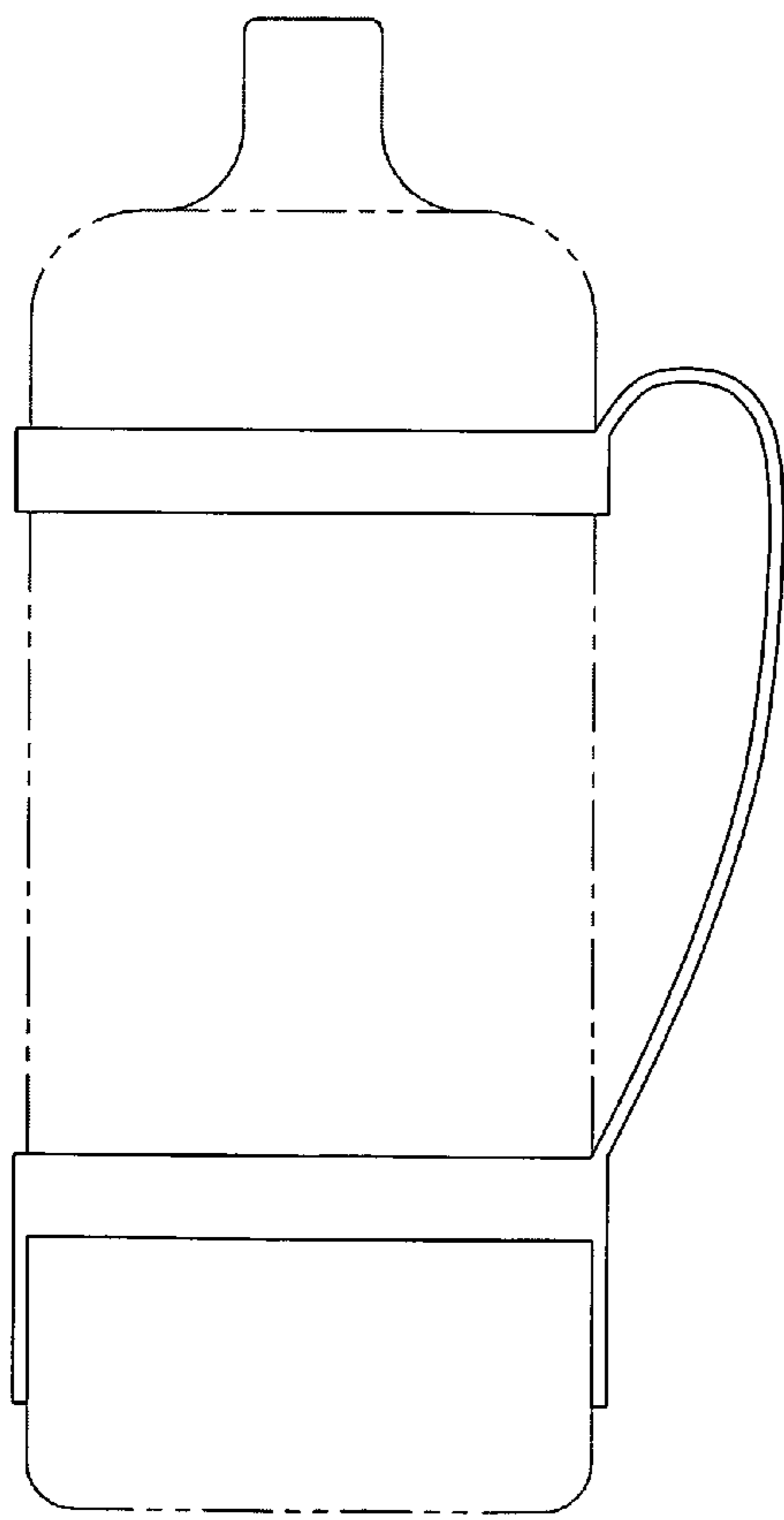


FIG. 4

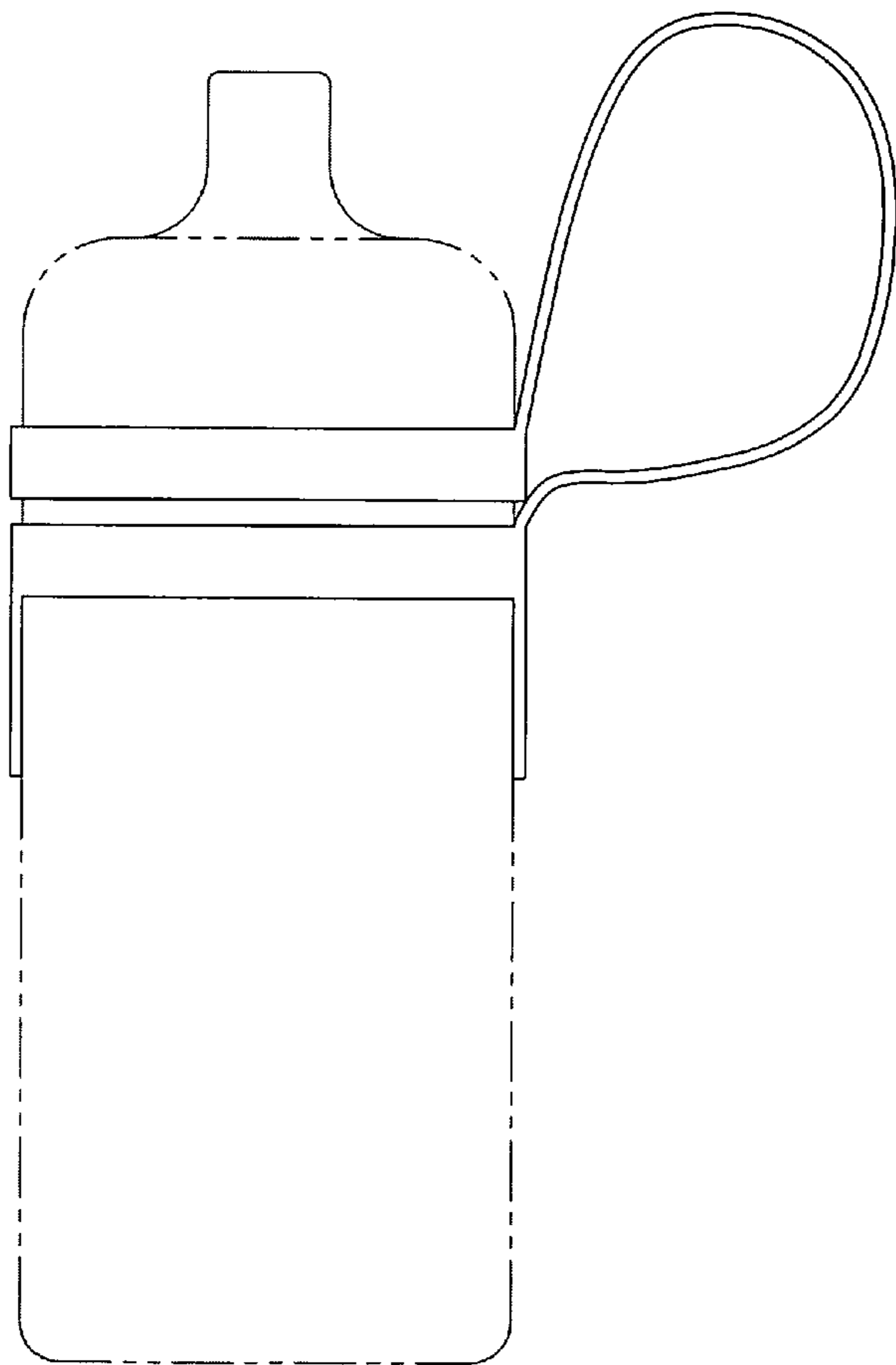


FIG. 5

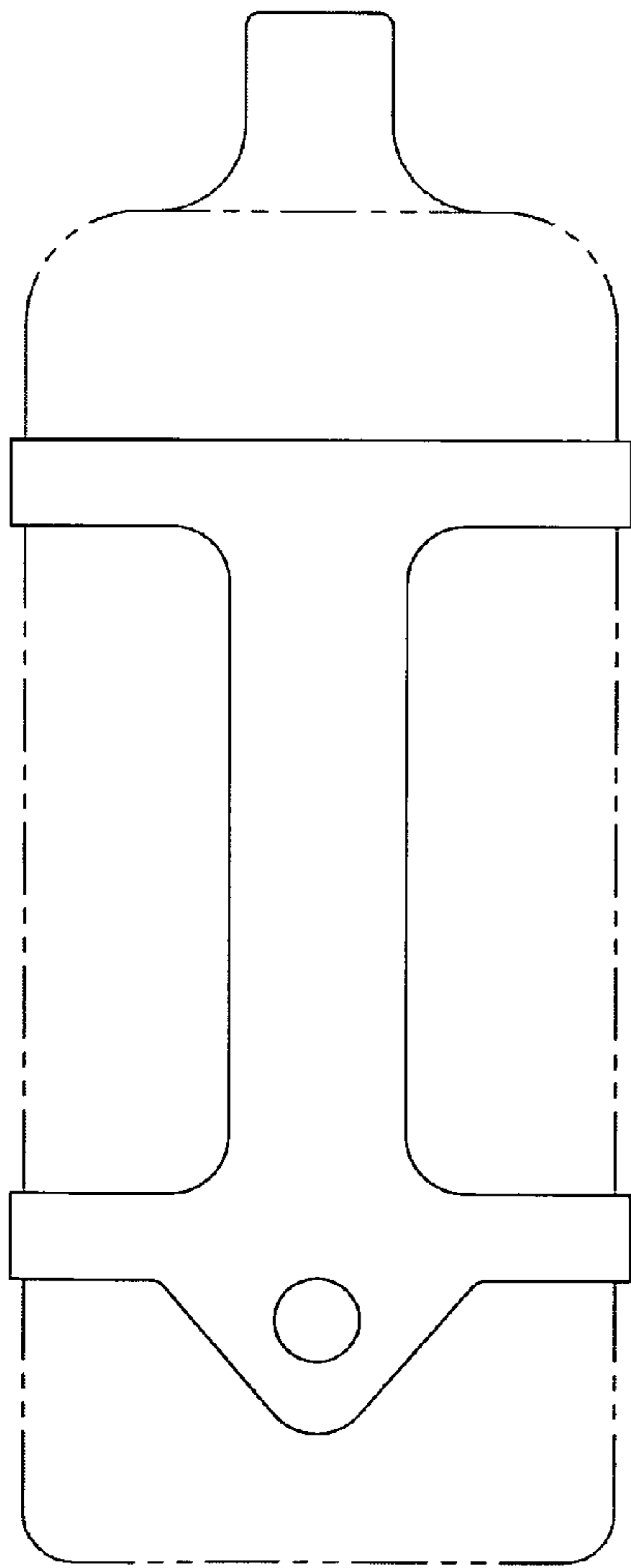


FIG. 6

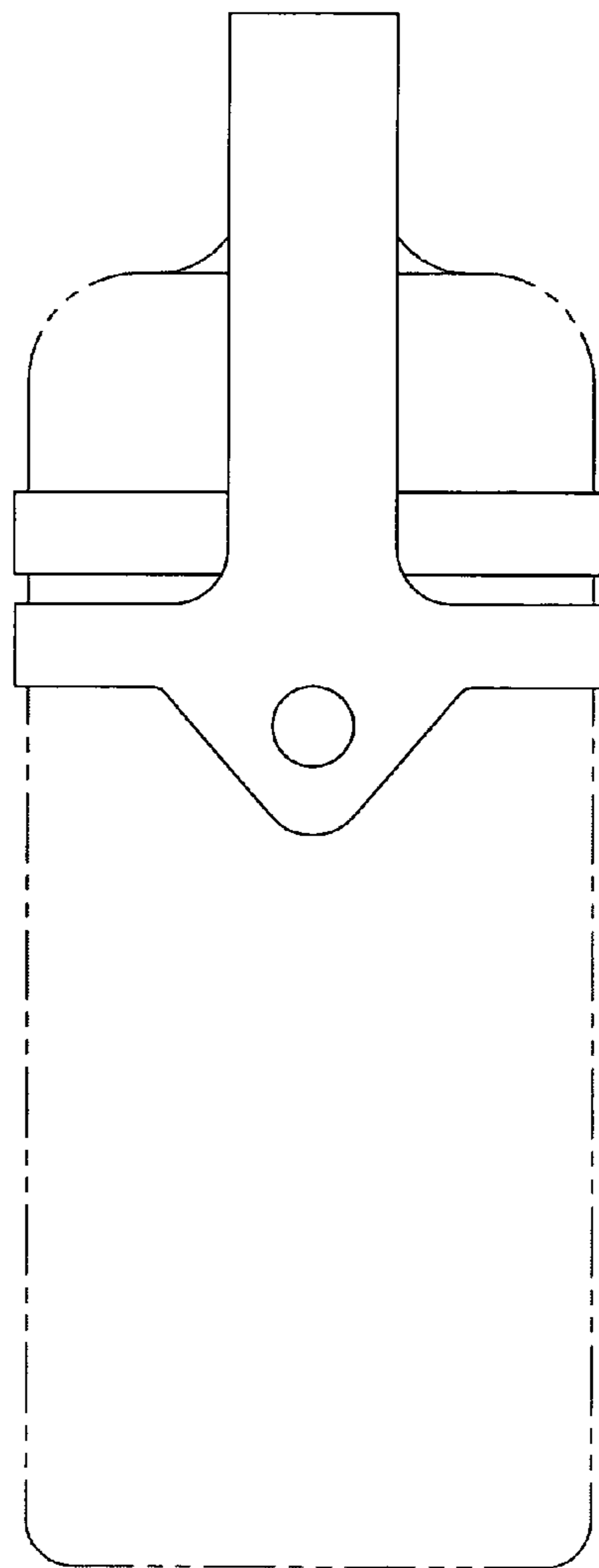


FIG. 7

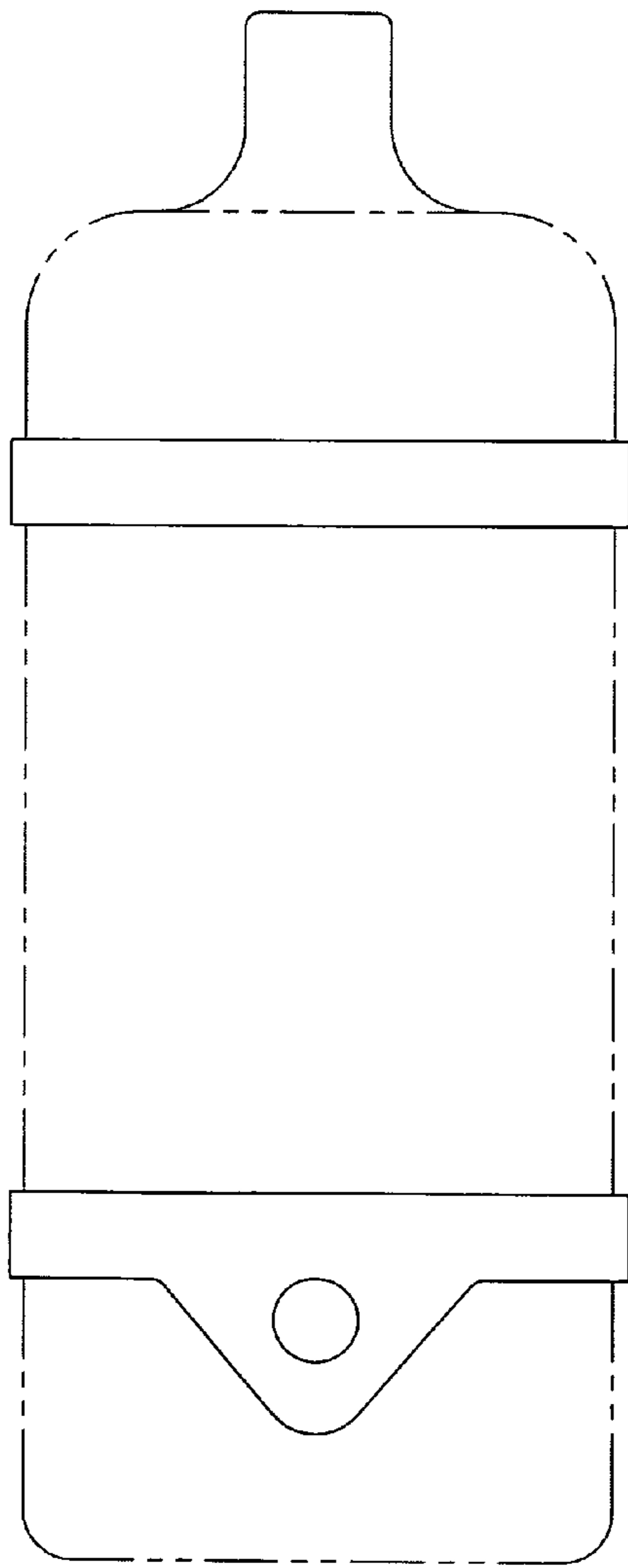


FIG. 8

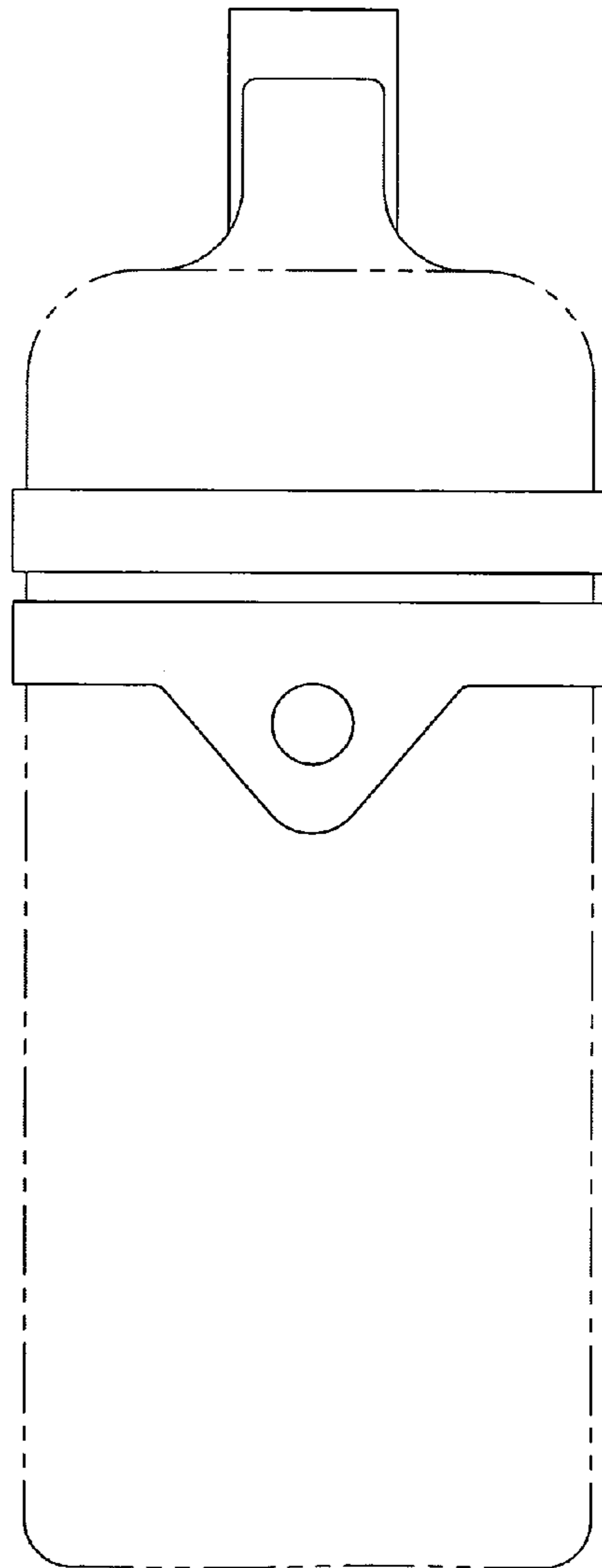


FIG. 9