



US00D587568S

(12) **United States Design Patent**  
**Shields**

(10) **Patent No.:** **US D587,568 S**  
(45) **Date of Patent:** **\*\* Mar. 3, 2009**

(54) **COMBINED POUCH AND TUB MIX**

(75) Inventor: **Frank Shields**, Nashville, TN (US)

(73) Assignee: **MARS, Incorporated**, McLean, VA (US)

(\*\*) Term: **14 Years**

(21) Appl. No.: **29/287,522**

(22) Filed: **Aug. 17, 2007**

(51) **LOC (9) Cl.** ..... **09-03**

(52) **U.S. Cl.** ..... **D9/428; D9/425**

(58) **Field of Classification Search** ..... D9/414-415, D9/418, 423-429, 431-432, 435, 452-453, D9/515, 761; D7/354, 360, 504, 500, 538, D7/540, 543, 545, 550.1, 553.6, 554.2, 557, D7/565, 584-585, 602, 629, 672; D3/201, D3/203.1-203.3, 284, 294, 295, 304, 307-314; 220/4.21-4.24, 23.8, 23.87, 266, 276, 345, 220/377, 532-533, 655, 675, 781-784, 787, 220/790-791, 793, 835; 206/45.19, 45.32, 206/386, 425, 438, 470, 503, 508, 509, 511, 206/518-521, 541, 555, 558, 560, 564, 625, 206/643; 229/120, 125, 406; 426/106, 119, 426/129, 234; 219/734

See application file for complete search history.

(56) **References Cited**

**U.S. PATENT DOCUMENTS**

D87,540 S	8/1932	Picker
D113,440 S	2/1939	Salfisberg
D115,526 S	7/1939	Salfisberg
D134,061 S	10/1942	Salfisberg
D137,262 S	2/1944	Hiemenz
2,654,471 A	10/1953	Kopaid et al.

2,973,006 A	2/1961	Nelson
D193,811 S	10/1962	Ebbet
D201,644 S	7/1965	Cave
3,220,631 A *	11/1965	Reifers ..... 229/406
3,294,224 A	12/1966	Horwitz
3,387,766 A	6/1968	Emanuel
3,502,487 A	3/1970	Byrd
3,650,461 A	3/1972	Hutcheson et al.
D242,900 S	1/1977	Seiferth et al.
D250,880 S	1/1979	Stone et al.
4,378,069 A	3/1983	Franco
4,543,279 A	9/1985	Kai

(Continued)

**OTHER PUBLICATIONS**

U.S. Appl. No. 29/287,526, Friedland, et al.

(Continued)

*Primary Examiner*—Robert M Spear  
*Assistant Examiner*—Susan E Krakower  
(74) *Attorney, Agent, or Firm*—Arent Fox LLP

(57) **CLAIM**

The ornamental design for a combined pouch and tub mix, as shown and described.

**DESCRIPTION**

FIG. 1 is a perspective view of a combined pouch and tub mix showing my new design;

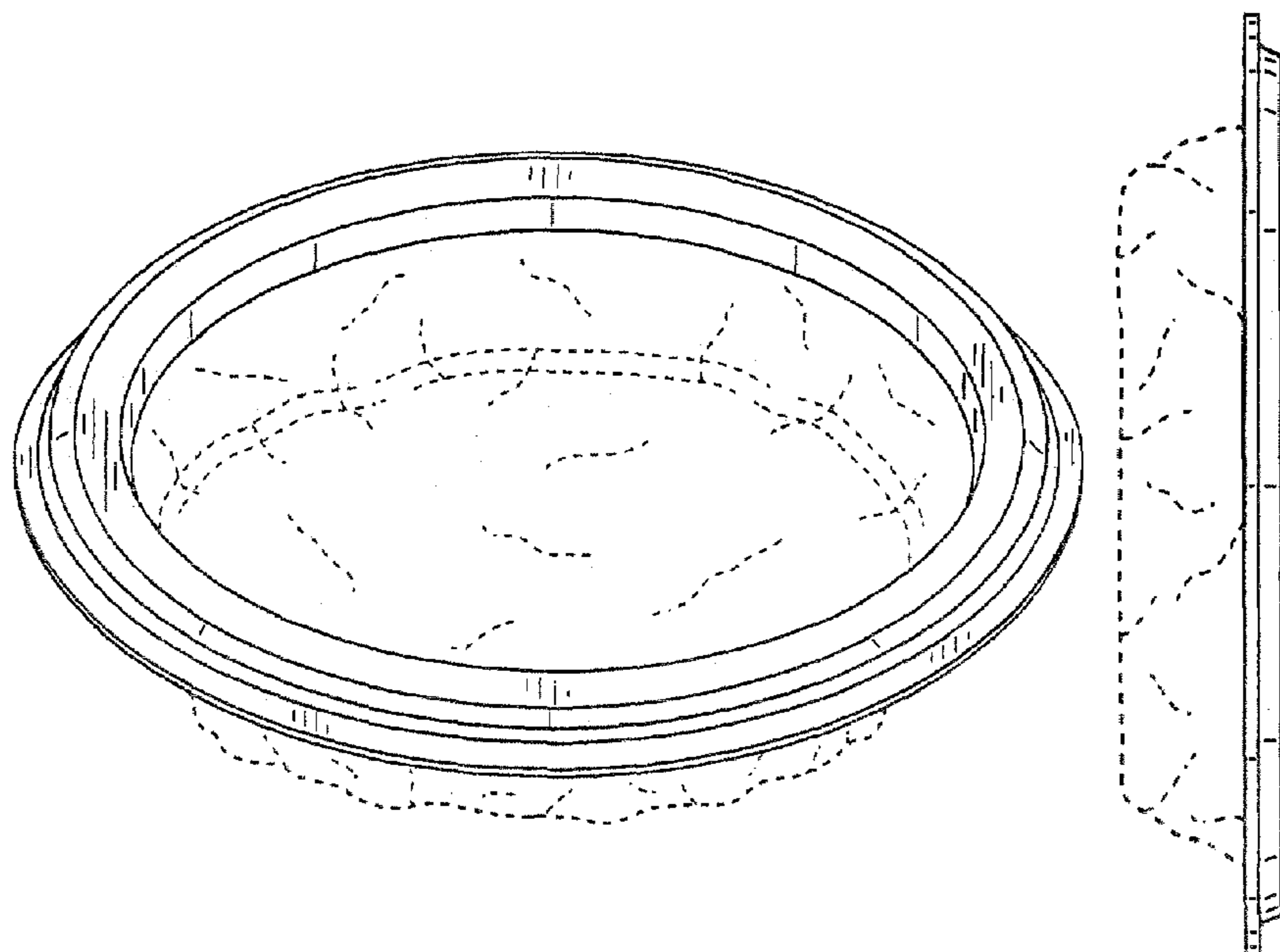
FIG. 2 is a top view of the design shown in FIG. 1;

FIG. 3 is a bottom view of the design shown in FIG. 1; and,

FIG. 4 is an enlarged side view of the design shown in FIG. 1.

The broken lines illustrate portions of the combined pouch and tub mix that form no part of the claimed design.

**1 Claim, 3 Drawing Sheets**



# US D587,568 S

Page 2

## U.S. PATENT DOCUMENTS

D297,306 S 8/1988 King  
 4,784,864 A 11/1988 Ikeda  
 4,874,083 A \* 10/1989 Antoni et al. .... 220/523  
 4,903,841 A 2/1990 Ohsima et al.  
 D306,555 S 3/1990 Lane et al.  
 D312,025 S \* 11/1990 Antoni et al. .... D7/554.2  
 D314,885 S 2/1991 Brunner  
 D318,611 S 7/1991 Sherman  
 5,038,547 A 8/1991 Kai et al.  
 D326,222 S 5/1992 McAtarian  
 D354,906 S 1/1995 Lane, Jr. et al.  
 5,518,133 A \* 5/1996 Hayes et al. .... 220/793  
 D386,698 S 11/1997 Giardiello  
 5,779,052 A 7/1998 Woodford et al.  
 6,083,584 A 7/2000 Smith et al.  
 D429,459 S 8/2000 Berman  
 D436,847 S 1/2001 Berman  
 D440,868 S 4/2001 Berman  
 D442,078 S 5/2001 Fuquen  
 D446,445 S 8/2001 Croft et al.  
 D450,574 S 11/2001 Campbell  
 D450,580 S \* 11/2001 Littlejohn et al. .... D9/429  
 D452,144 S 12/2001 Tedeschi et al.  
 D452,817 S 1/2002 Berman  
 D454,457 S 3/2002 Ou-Young  
 D454,487 S 3/2002 Bell et al.  
 D462,897 S 9/2002 Amundson  
 D463,266 S 9/2002 Zappa  
 D463,738 S 10/2002 Jones  
 D463,974 S 10/2002 Berman  
 D465,726 S 11/2002 Tet  
 D466,003 S 11/2002 Jones et al.  
 D468,630 S 1/2003 Ambrose  
 D469,120 S 1/2003 Maloney  
 D471,090 S 3/2003 Jones  
 D471,100 S \* 3/2003 Guzowski .... D9/428  
 D473,131 S 4/2003 Berman  
 D473,132 S 4/2003 Berman  
 D475,614 S 6/2003 Jones

D475,621 S \* 6/2003 Buchalski et al. .... D9/428  
 D475,915 S 6/2003 Lawrie et al.  
 D477,992 S 8/2003 Dennis et al.  
 D486,730 S 2/2004 Rasmussen  
 D491,455 S \* 6/2004 Li ..... D9/428  
 D505,596 S \* 5/2005 Tucker et al. .... D7/629  
 D519,327 S \* 4/2006 Tucker et al. .... D7/629  
 D522,374 S 6/2006 Nova et al.  
 D542,152 S 5/2007 Klis  
 D545,689 S 7/2007 Peel  
 D551,567 S 9/2007 Berman  
 D553,444 S \* 10/2007 de Groote et al. .... D7/602  
 D558,594 S 1/2008 Kirou et al.  
 D558,601 S 1/2008 Berman  
 D565,907 S \* 4/2008 de Groote et al. .... D7/601

## OTHER PUBLICATIONS

U.S. Appl. No. 29/287,524, Friedland, et al.  
 U.S. Appl. No. 29/287,528, Friedland, et al.  
 U.S. Appl. No. 29/287,539, Beyer, et al.  
 U.S. Appl. No. 29/287,512, Friedland, et al.  
 U.S. Appl. No. 29/287,535, Friedland, et al.  
 U.S. Appl. No. 29/287,510, Friedland, et al.  
 U.S. Appl. No. 29/287,527, Friedland, et al.  
 U.S. Appl. No. 29/287,525, Friedland, et al.  
 U.S. Appl. No. 29/287,513, Friedland, et al.  
 U.S. Appl. No. 29/287,518, Beyer, et al.  
 U.S. Appl. No. 29/287,515, Friedland, et al.  
 U.S. Appl. No. 29/287,520, Friedland, et al.  
 U.S. Appl. No. 29/287,536, Friedland, et al.  
 U.S. Appl. No. 29/287,514, Friedland, et al.  
 U.S. Appl. No. 29/287,519, Shields.  
 U.S. Appl. No. 29/287,511, Friedland, et al.  
 U.S. Appl. No. 29/287,538, Friedland, et al.  
 U.S. Appl. No. 29/287,523, Friedland, et al.  
 U.S. Appl. No. 29/287,537, Friedland, et al.  
 U.S. Appl. No. 29/287,521, Friedland, et al.  
 U.S. Appl. No. 11/840,825, Slusarczyk, et al.

\* cited by examiner

FIG. 1

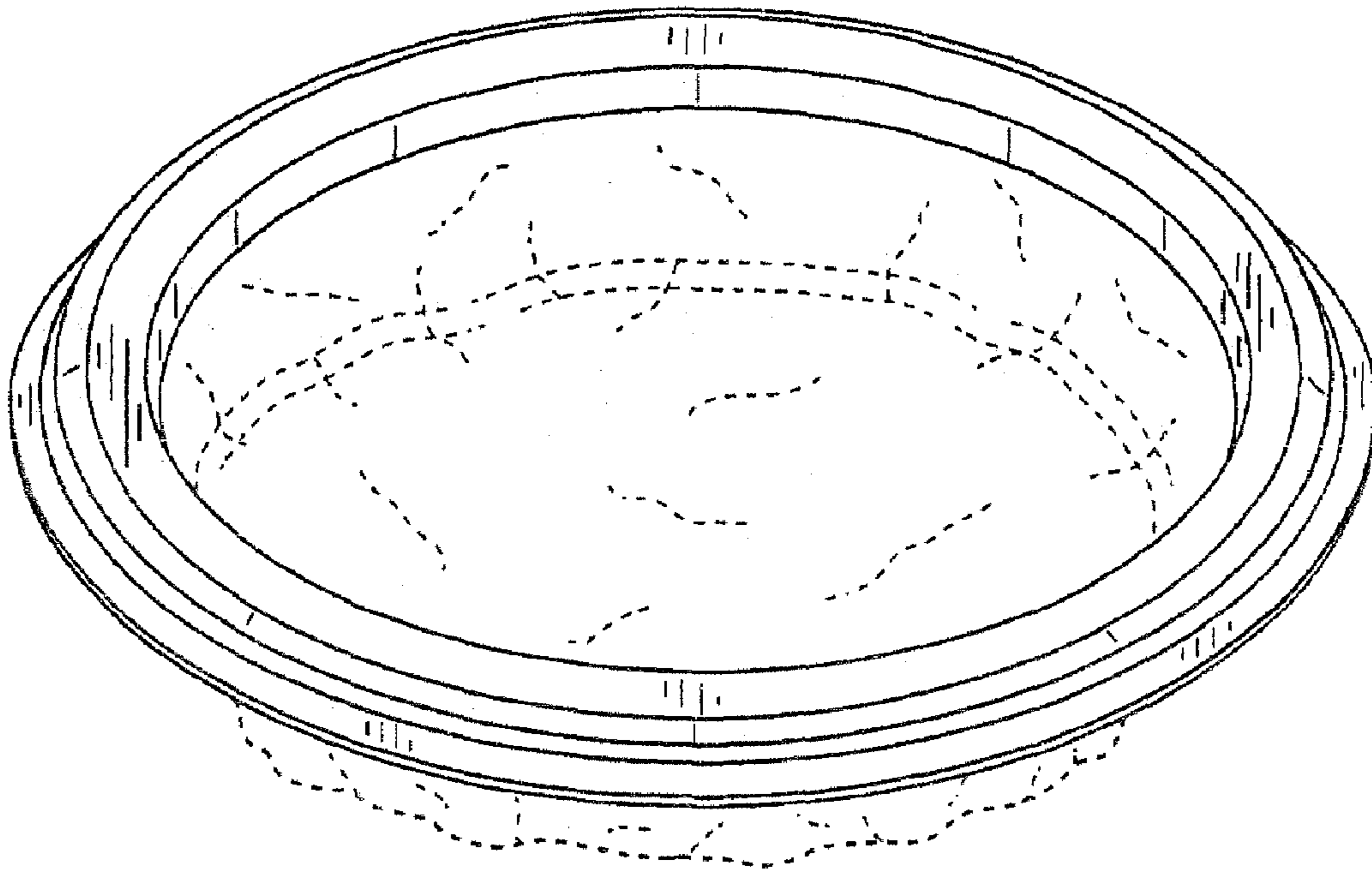


FIG.2

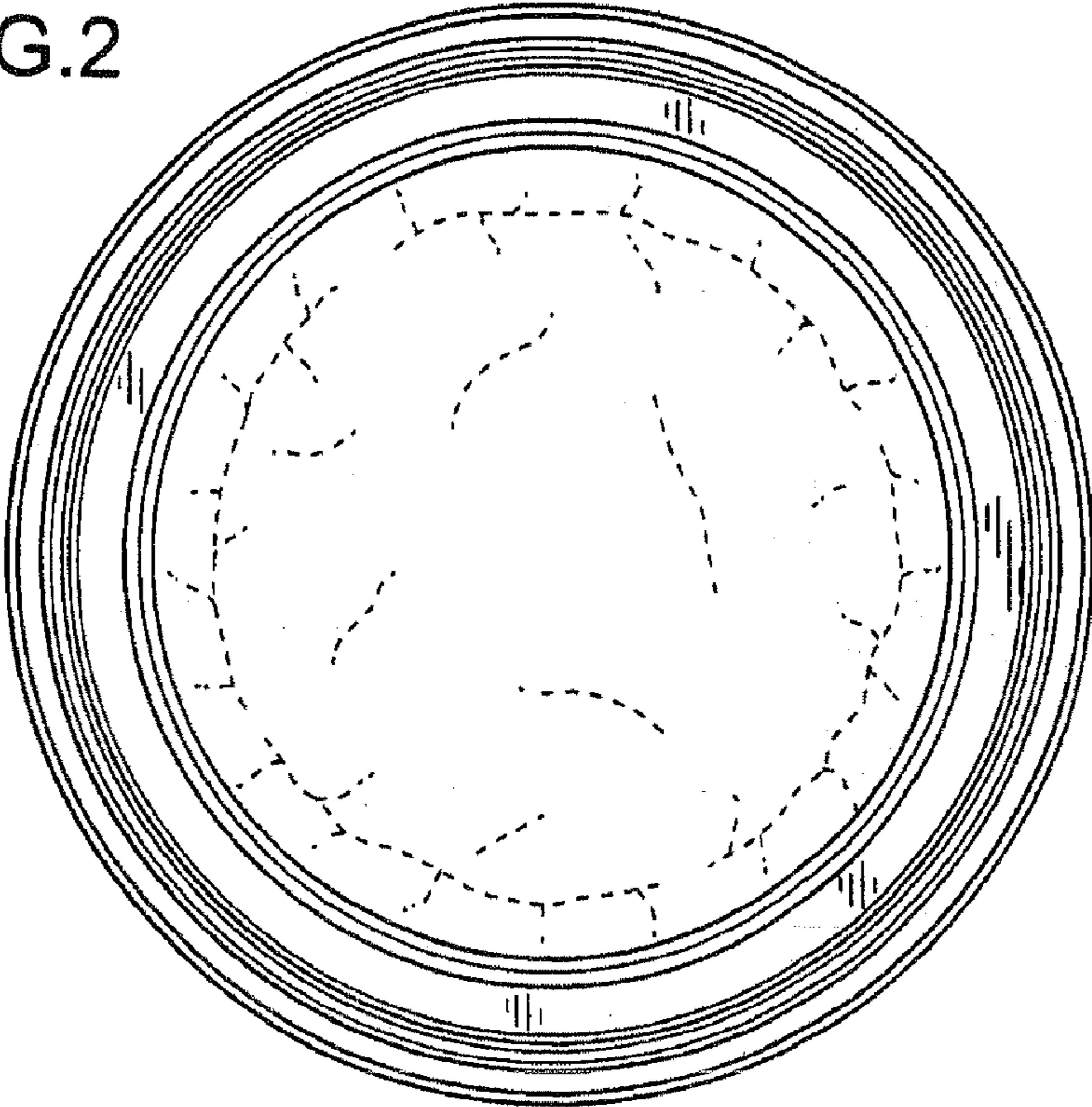


FIG.3

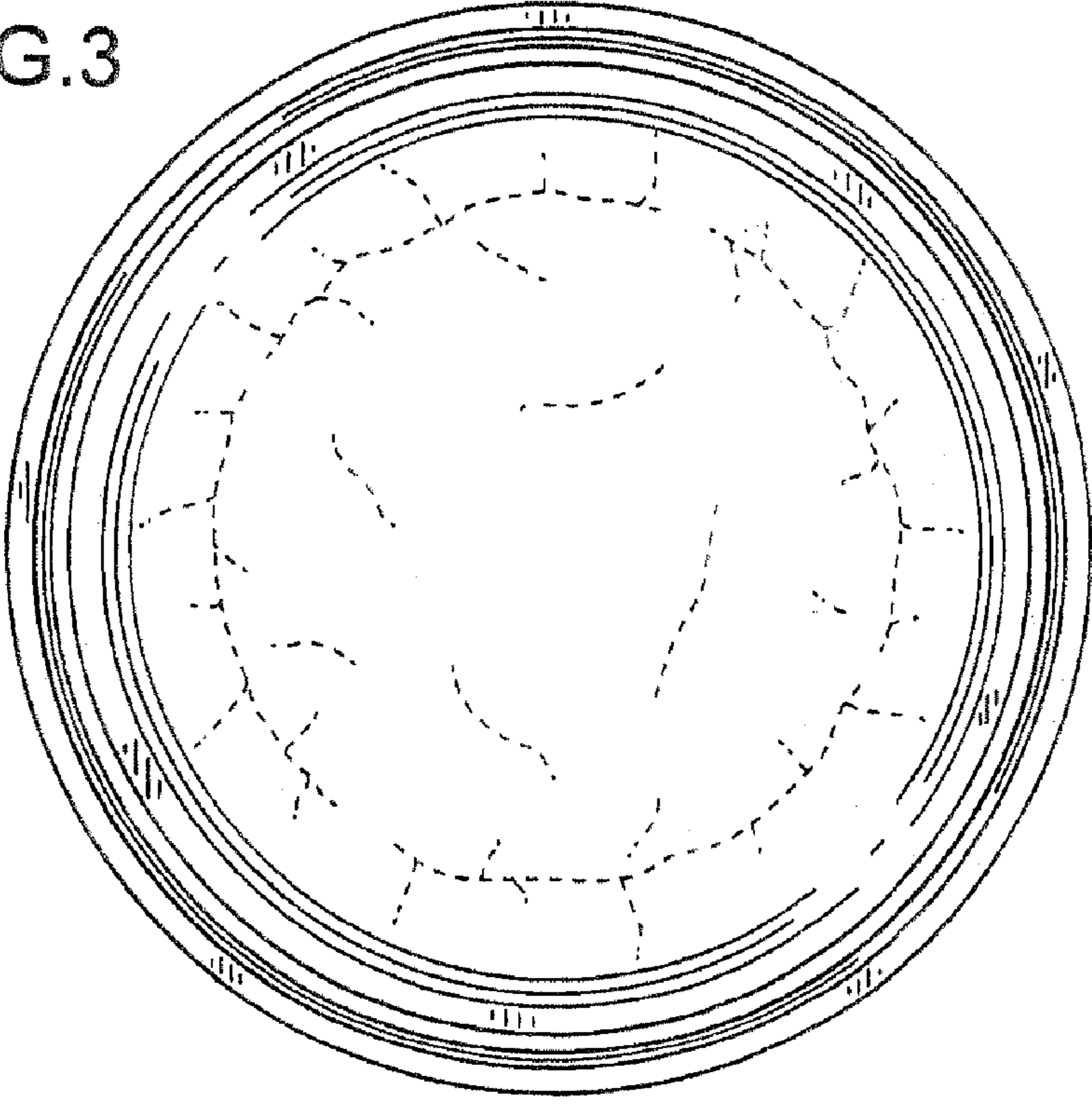


FIG. 4

