



US00D587566S

(12) **United States Design Patent**
Albrecht

(10) **Patent No.:** **US D587,566 S**
(45) **Date of Patent:** **** Mar. 3, 2009**

(54) **CONTAINER**

(75) Inventor: **David D. Albrecht**, Le Mars, IA (US)

(73) Assignee: **Wells' Dairy, Inc.**, Lemars, IA (US)

(**) Term: **14 Years**

(21) Appl. No.: **29/303,145**

(22) Filed: **Feb. 1, 2008**

Related U.S. Application Data

(63) Continuation-in-part of application No. 11/845,542, filed on Aug. 27, 2007.

(51) **LOC (9) Cl.** **09-03**

(52) **U.S. Cl.** **D9/424**

(58) **Field of Classification Search** D9/424,
D9/414, 419, 425, 431, 432, 435; D3/276;
D7/601-603, 605, 629; 206/508; 220/23.4,
220/23.6, 266, 281, 315, 318, 659, 696, 752,
220/760, 790, 793; 229/105, 117.09, 117.26,
229/189, 406

See application file for complete search history.

(56) **References Cited**

U.S. PATENT DOCUMENTS

1,707,528 A * 4/1929 La Bombard et al. .. 229/117.26
2,606,586 A * 8/1952 Hill 220/802

(Continued)

FOREIGN PATENT DOCUMENTS

DE 100 38 386 A1 2/2000

(Continued)

OTHER PUBLICATIONS

Correspondence from Shimokaji & Associates dated Nov. 27, 2007 (47 pages).

Primary Examiner—Prabhakar Deshmukh

Assistant Examiner—Derrick Holland

(74) *Attorney, Agent, or Firm*—McKee, Voorhees & Sease, P.L.C.

(57) **CLAIM**

I claim the ornamental design for a container, as shown and described.

DESCRIPTION

FIG. 1 is a corner and top perspective view of a container in a closed state with a handle showing my new design.

FIG. 2 is an opposite corner and top perspective view of a container shown in FIG. 1.

FIG. 3 is a top plan view thereof.

FIG. 4 is a bottom view thereof.

FIG. 5 is a front side elevational view as viewed in FIG. 1 from the left side.

FIG. 6 is a rear side elevation view as viewed in FIG. 2 from the left side.

FIG. 7 is a right side elevational view as viewed in FIG. 1 from the right side.

FIG. 8 is a left side elevational view as viewed in FIG. 2 from the right side.

FIG. 9 is a corner and top perspective view of another embodiment of a container in a closed state showing my new design.

FIG. 10 is an opposite corner and top perspective view of a container shown in FIG. 9.

FIG. 11 is a top plan view thereof.

FIG. 12 is a bottom view thereof.

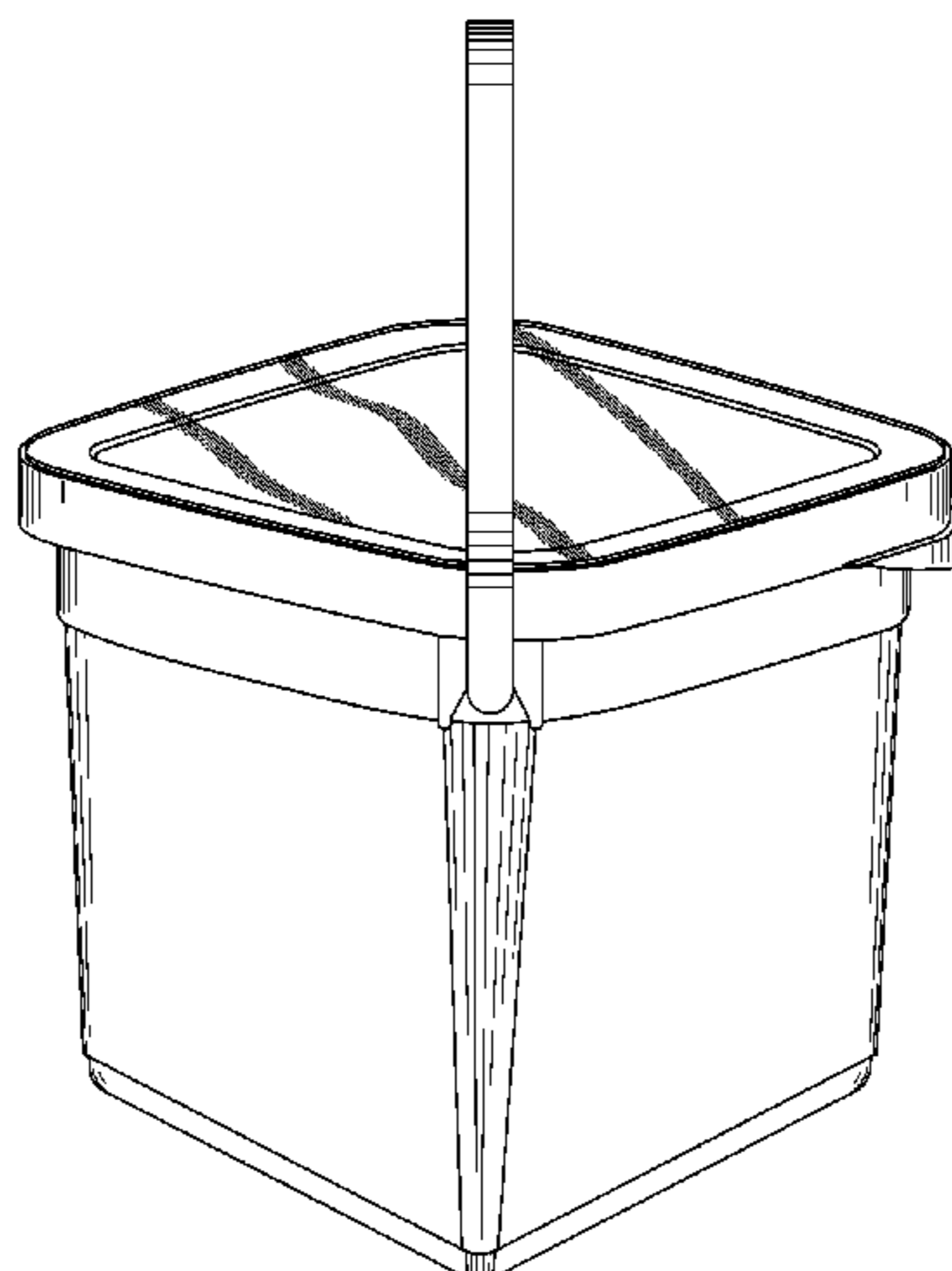
FIG. 13 is a front side elevational view as viewed in FIG. 9 from the left side.

FIG. 14 is a rear side elevation view as viewed in FIG. 10 from the left side.

FIG. 15 is a right side elevational view as viewed in FIG. 9 from the right side; and,

FIG. 16 is a left side elevational view as viewed in FIG. 10 from the right side.

1 Claim, 16 Drawing Sheets



US D587,566 S

Page 2

U.S. PATENT DOCUMENTS

2,839,220 A 6/1958 Carlin
D194,639 S * 2/1963 Szantay D7/605
3,384,263 A 5/1968 Bernstein
3,424,342 A 1/1969 Scopp et al.
3,688,942 A 9/1972 Mitchell et al.
3,773,207 A 11/1973 Dokoupil et al.
3,809,284 A 5/1974 Churan
3,811,597 A 5/1974 Frankenberg et al.
3,866,791 A 2/1975 Roper et al.
3,958,359 A * 5/1976 Doughty 43/55
D248,215 S * 6/1978 Cherry D9/418
4,376,493 A 3/1983 Gall
4,941,586 A 7/1990 Tarna
D311,334 S * 10/1990 Flynn et al. D9/424
5,012,928 A 5/1991 Proffitt et al.
5,090,309 A * 2/1992 Lai 100/226
D328,508 S * 8/1992 Crutchfield D34/1
D331,317 S * 12/1992 Tsai D3/281
5,348,181 A 9/1994 Smith et al.
D351,765 S * 10/1994 Beeler et al. D7/629
5,377,858 A * 1/1995 Morris, Sr. 220/254.8
D358,328 S * 5/1995 Huerto et al. D9/435
5,425,467 A 6/1995 Feer et al.

D362,180 S * 9/1995 Haines D9/424
5,500,635 A 3/1996 Mott
5,507,407 A 4/1996 Feer et al.
5,535,914 A * 7/1996 Badalamenti et al. 220/495.1
5,538,154 A 7/1996 Von Holdt
5,624,051 A 4/1997 Ahern, Jr. et al.
D401,110 S 11/1998 Demore
D411,741 S * 6/1999 Wilson et al. D9/425
5,960,979 A 10/1999 Van Den Brink et al.
D418,056 S * 12/1999 Johnson D9/431
D420,252 S * 2/2000 Loew et al. D7/392.1
D448,969 S * 10/2001 Conti D7/392.1
6,299,005 B1 10/2001 Higgins
D454,785 S * 3/2002 Nance D9/424
D466,372 S * 12/2002 Hunter D7/605
6,834,772 B1 12/2004 Thorso
D503,534 S * 4/2005 Dong D3/276
6,889,860 B2 5/2005 Mazzarolo

FOREIGN PATENT DOCUMENTS

DE 200 10 982 U1 9/2000
JP 2000 302117 A 10/2000

* cited by examiner

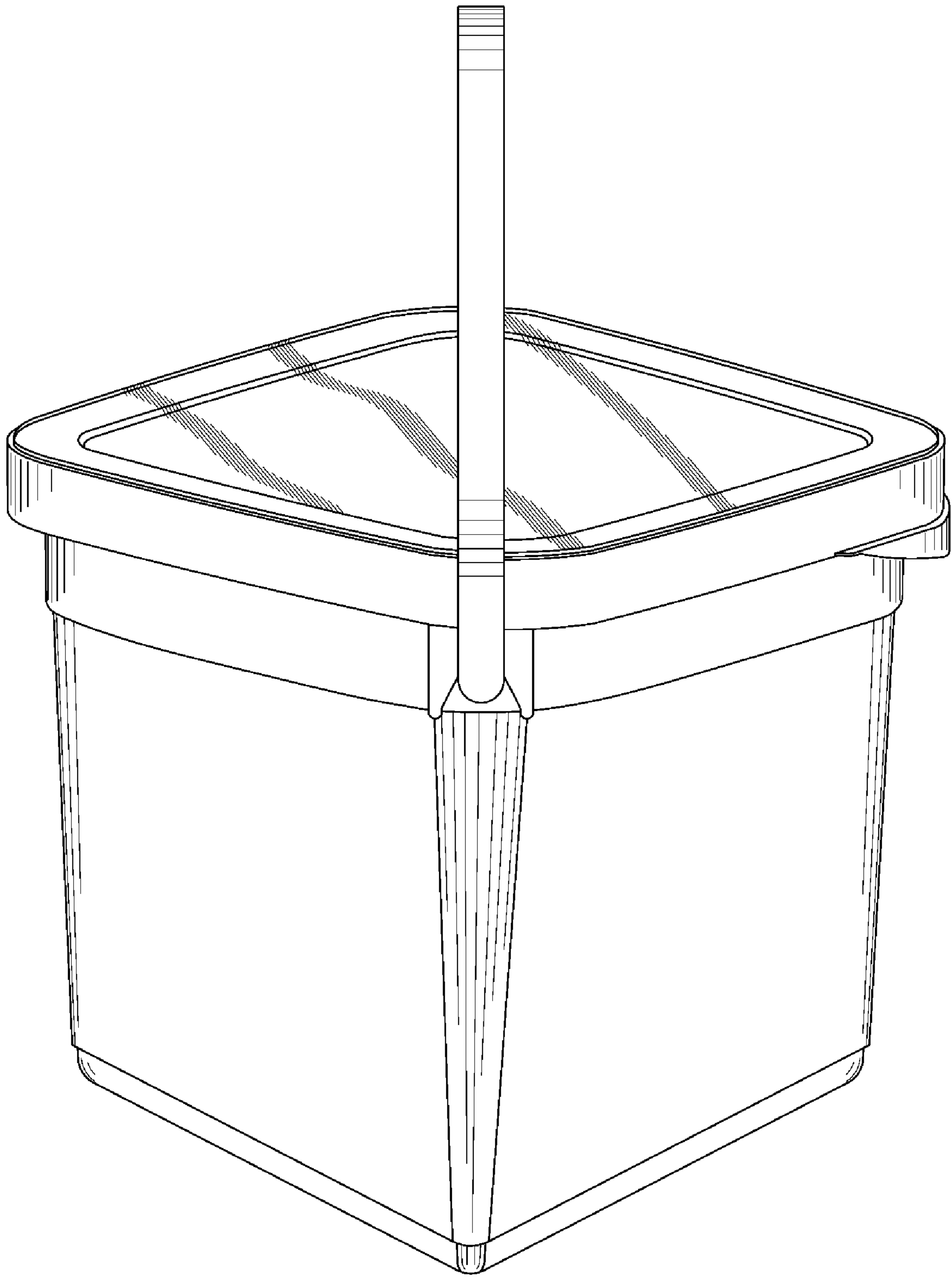


Fig. 1

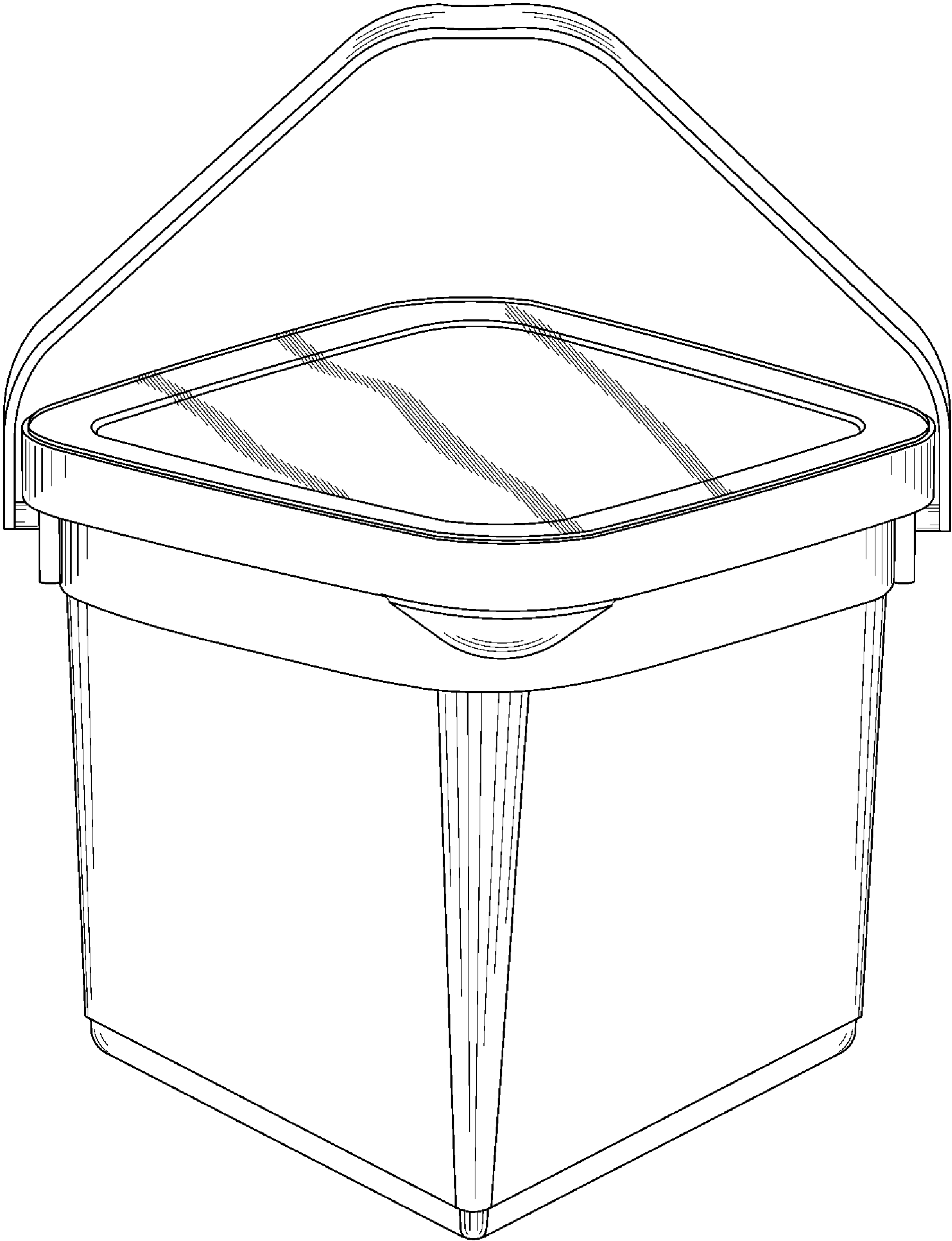


Fig. 2

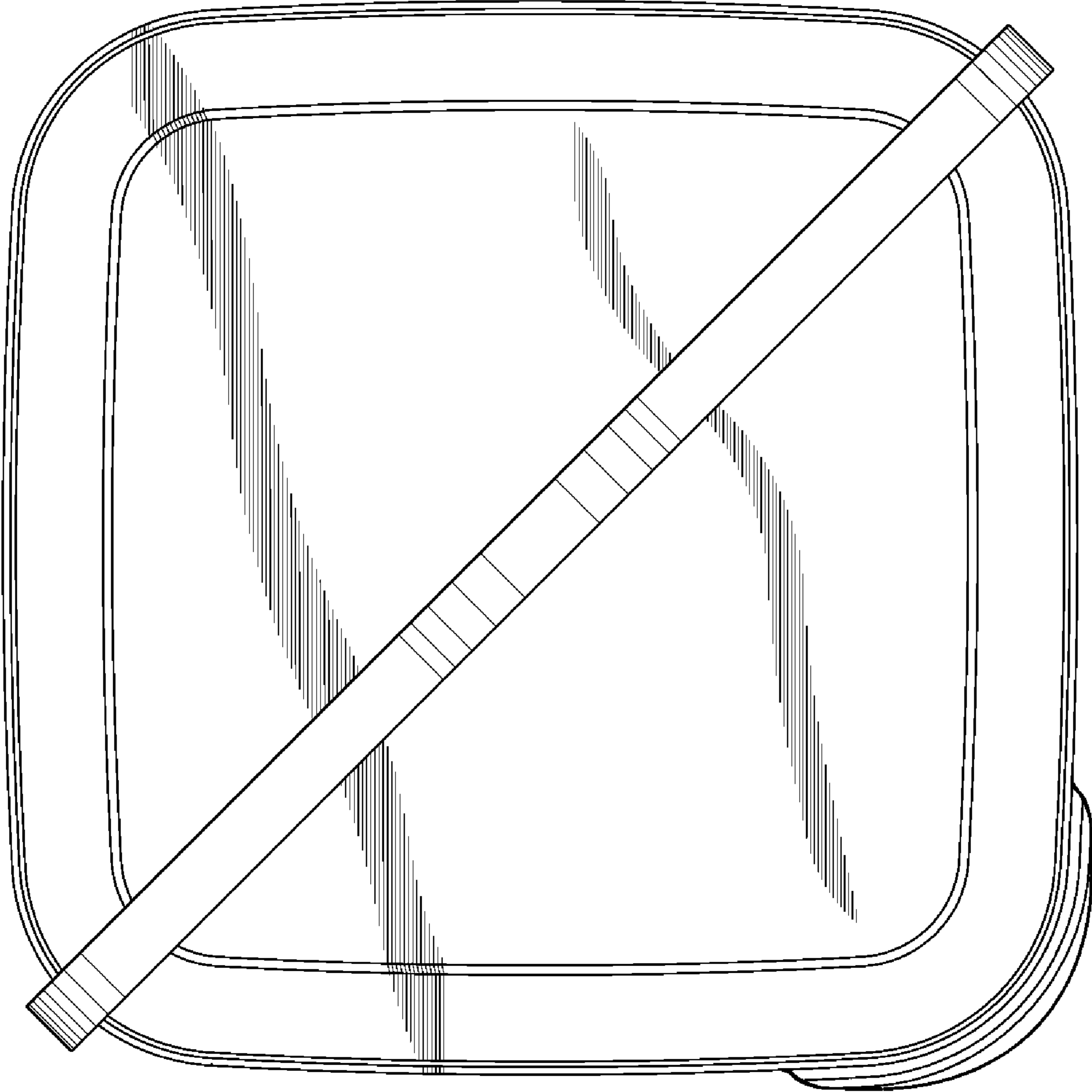


Fig. 3

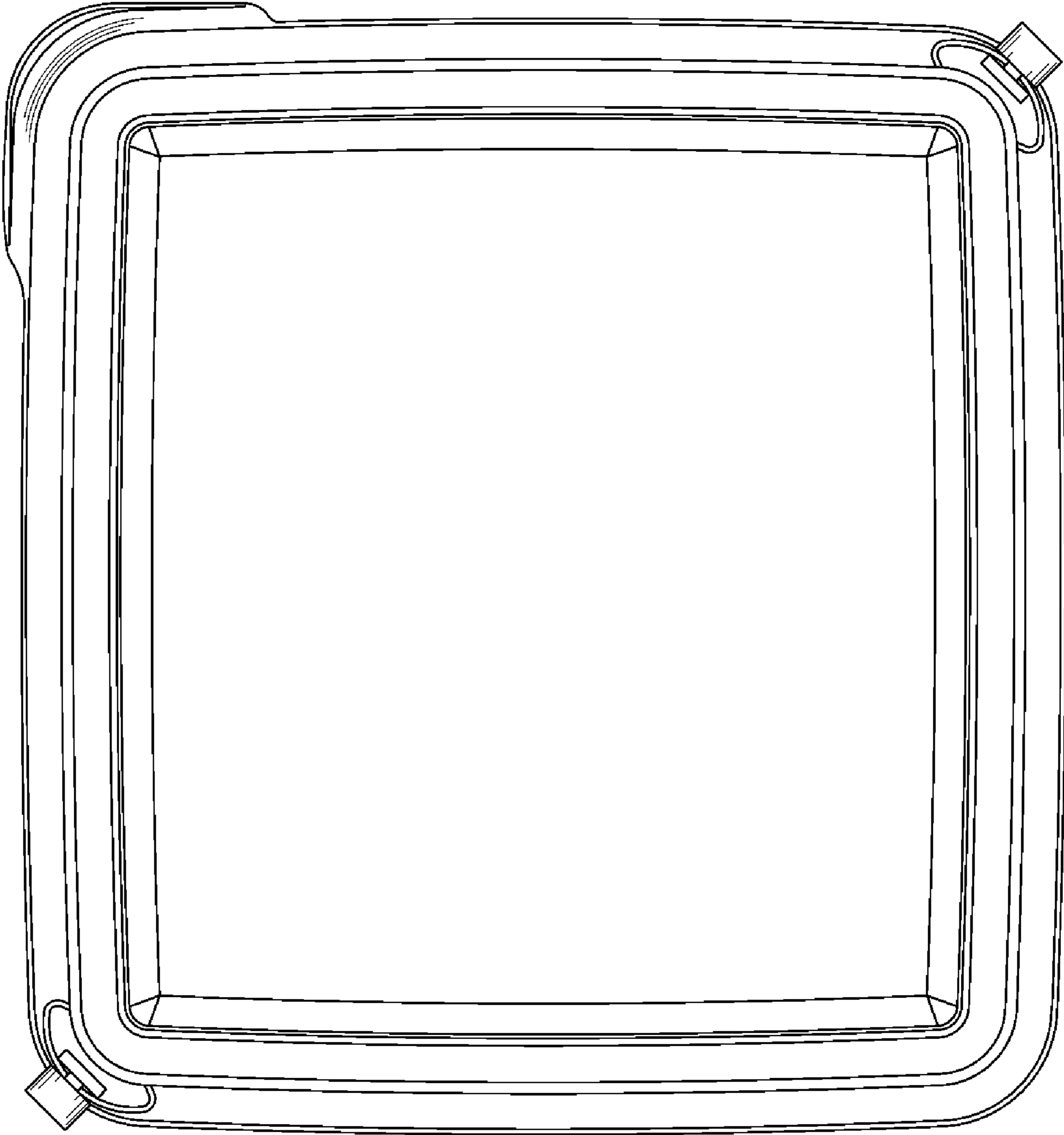


Fig. 4

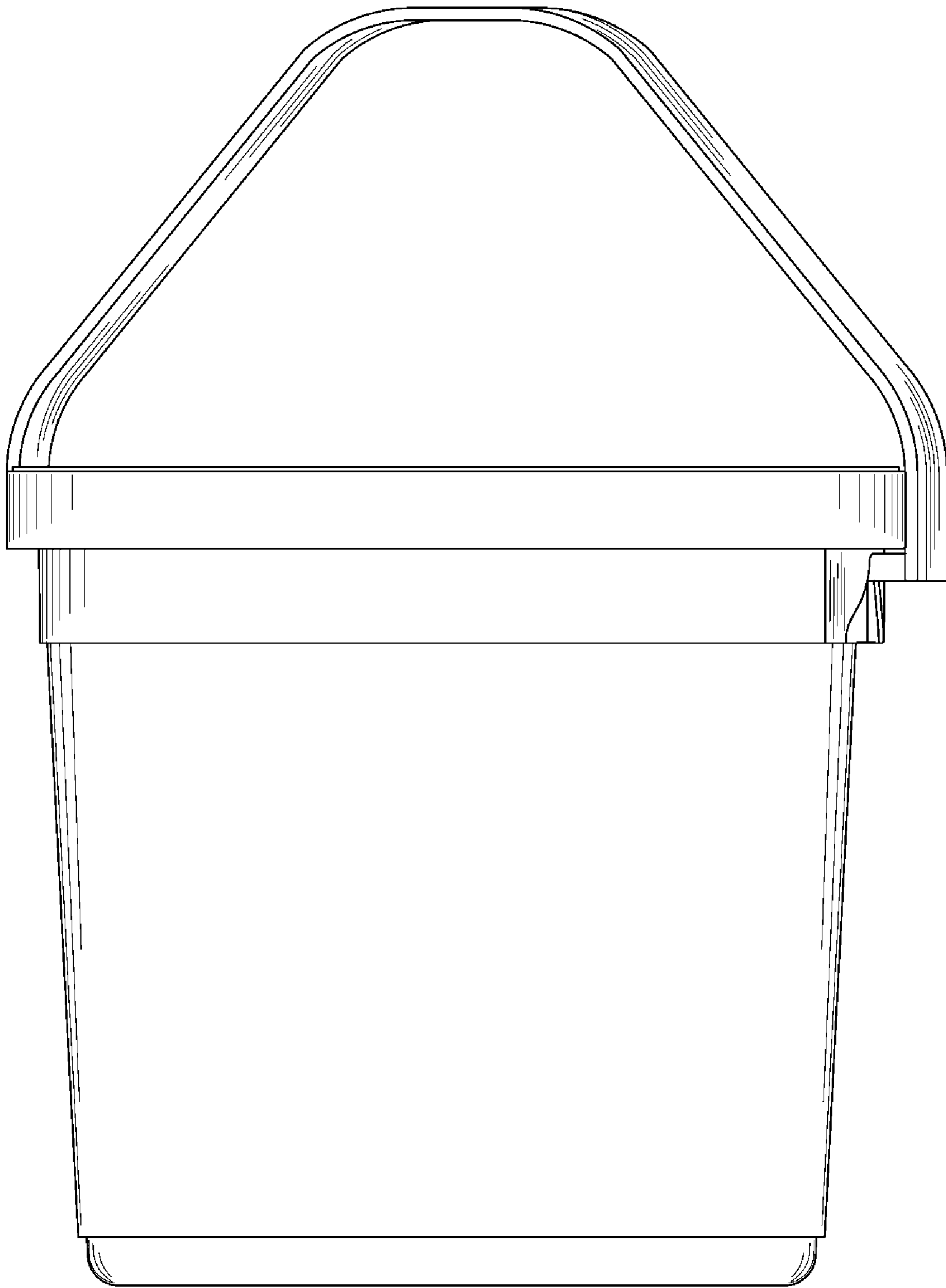


Fig. 5

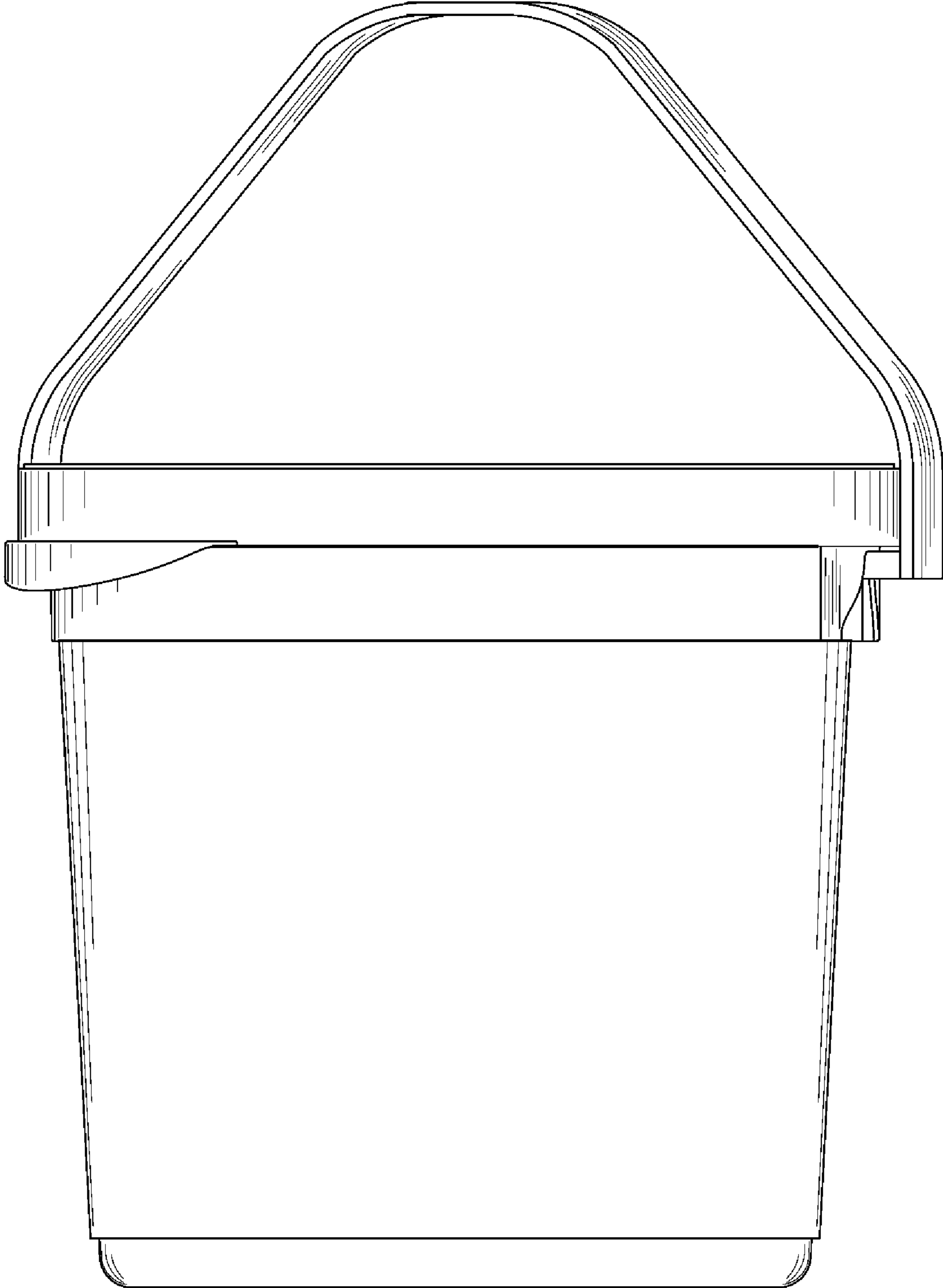


Fig. 6

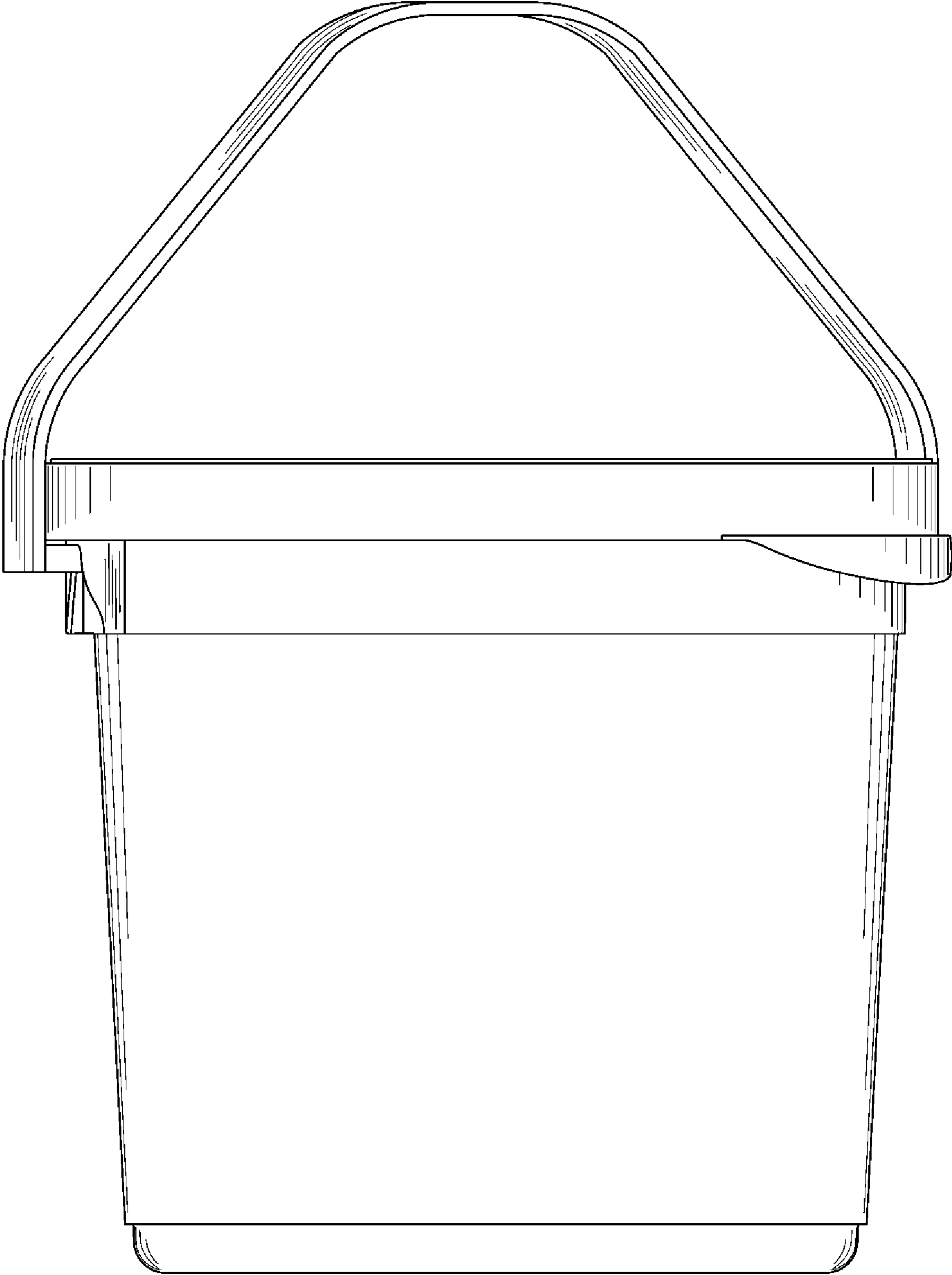


Fig. 7

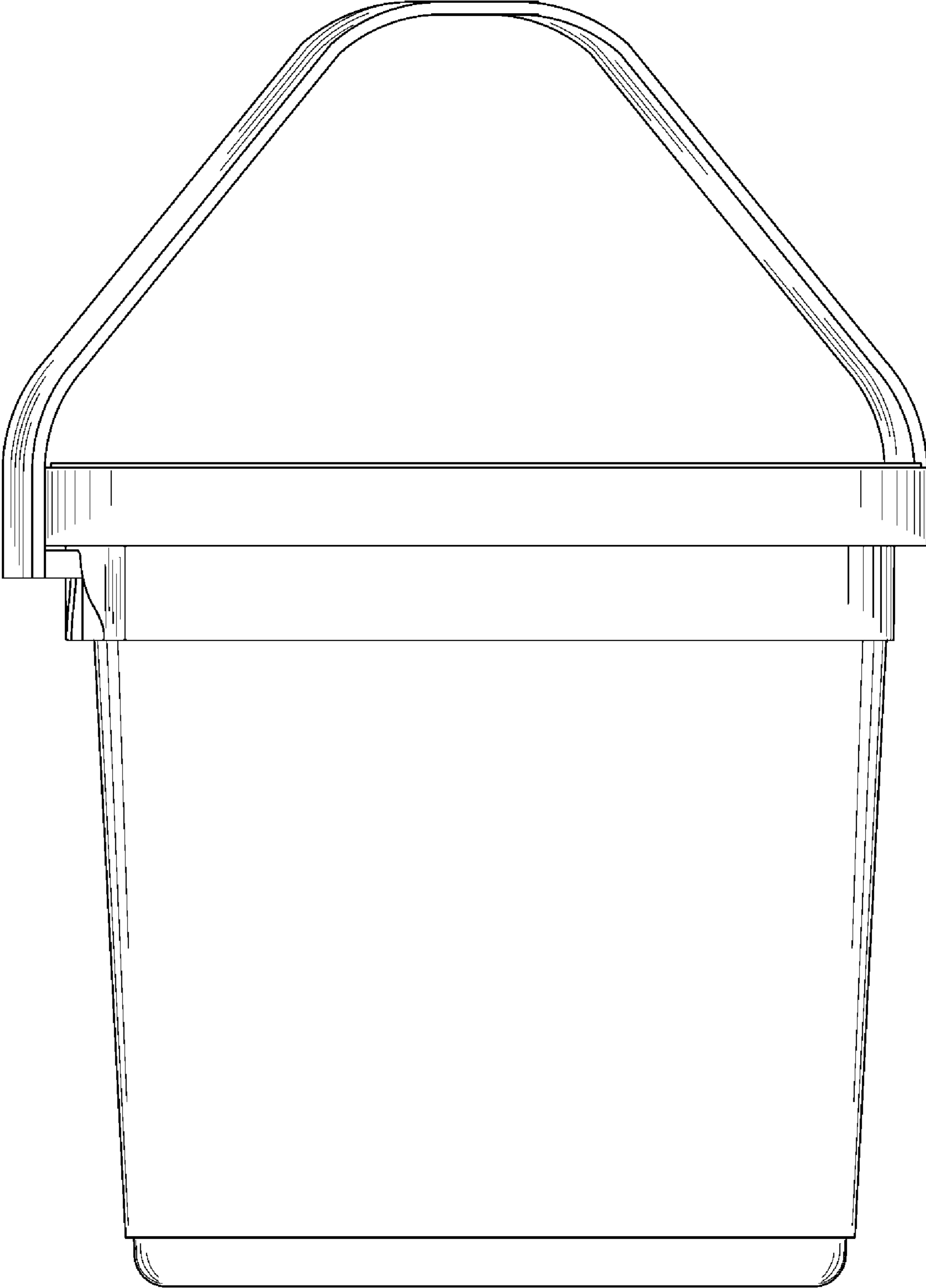


Fig. 8

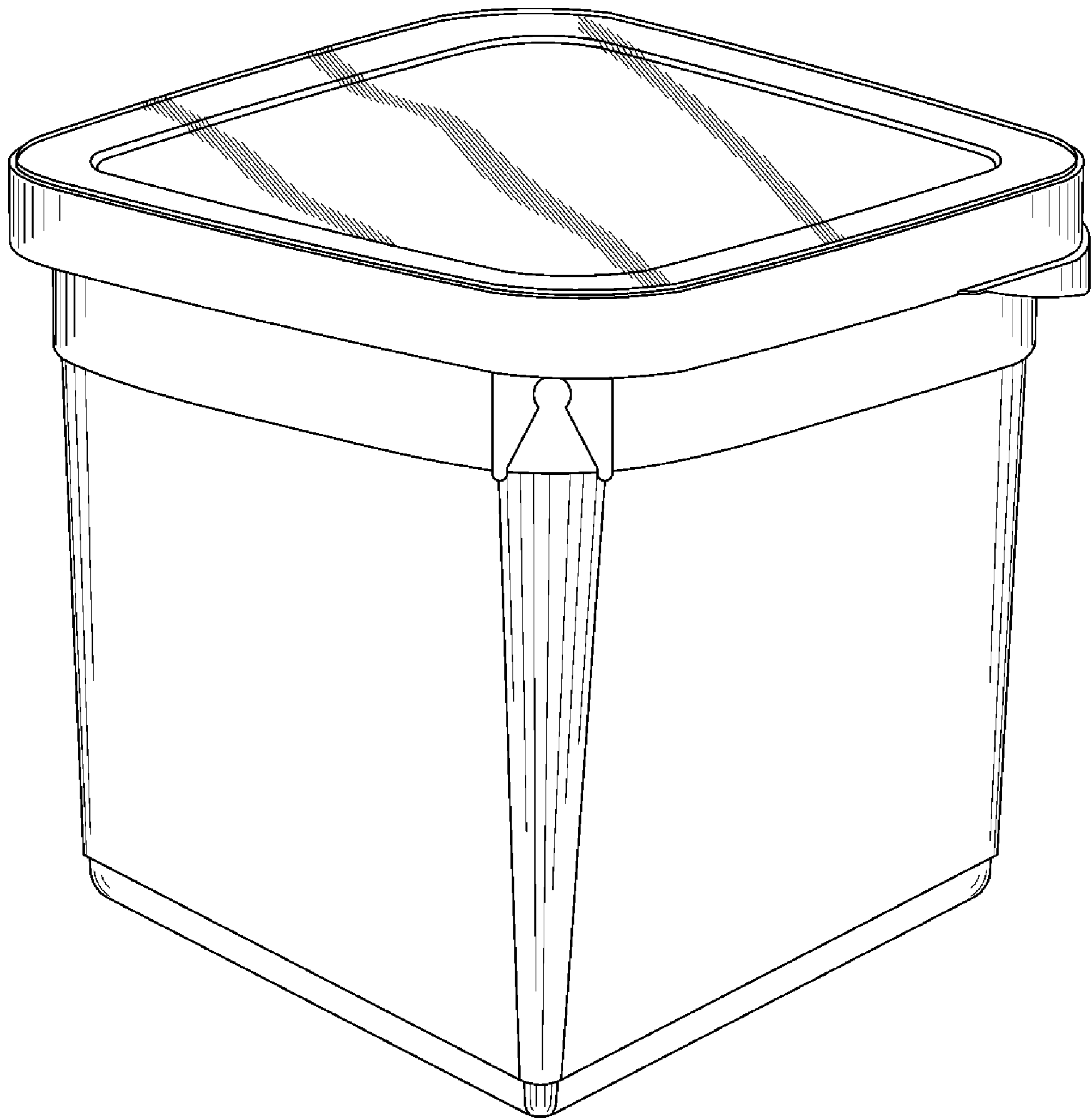


Fig. 9

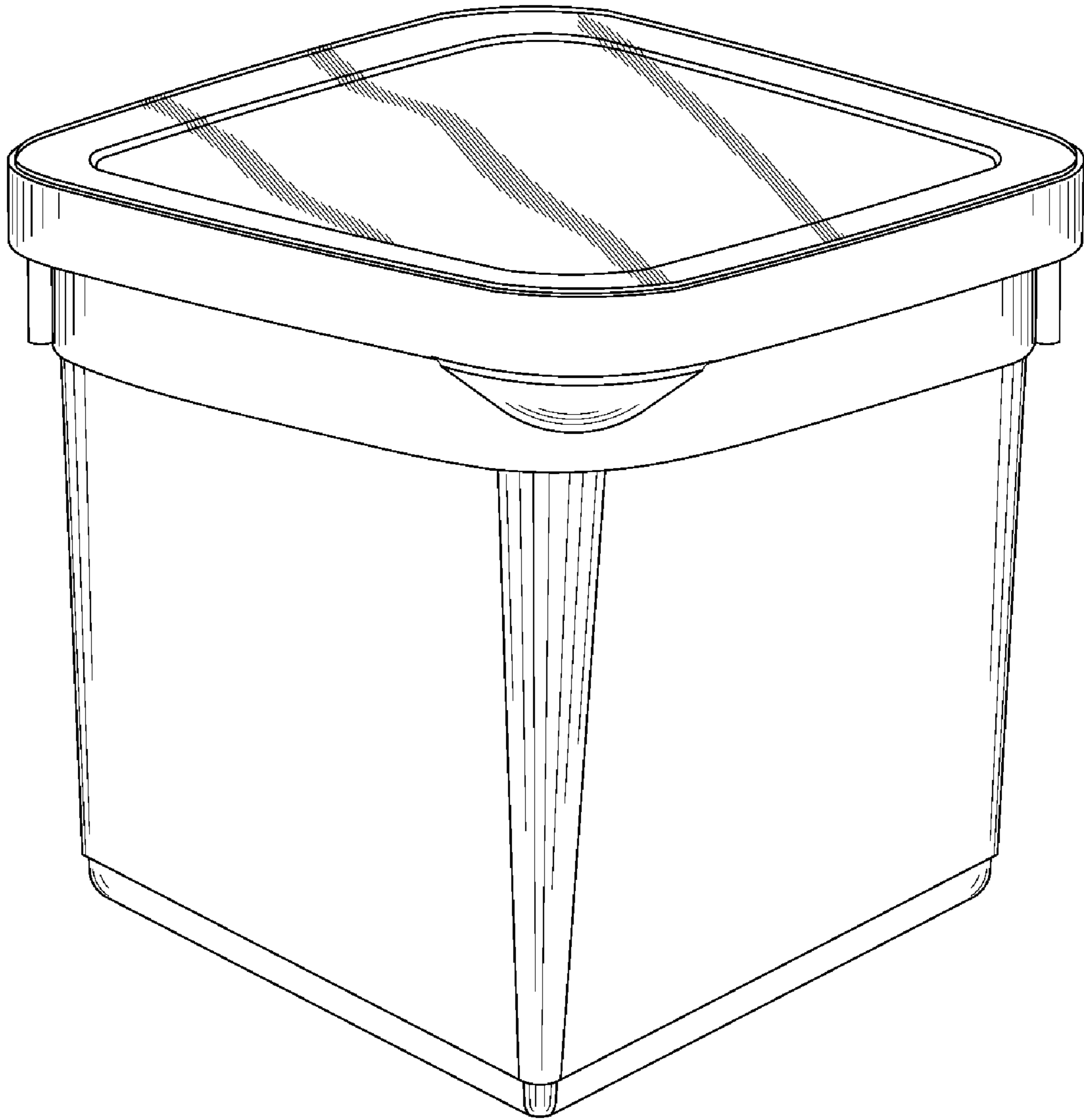


Fig. 10

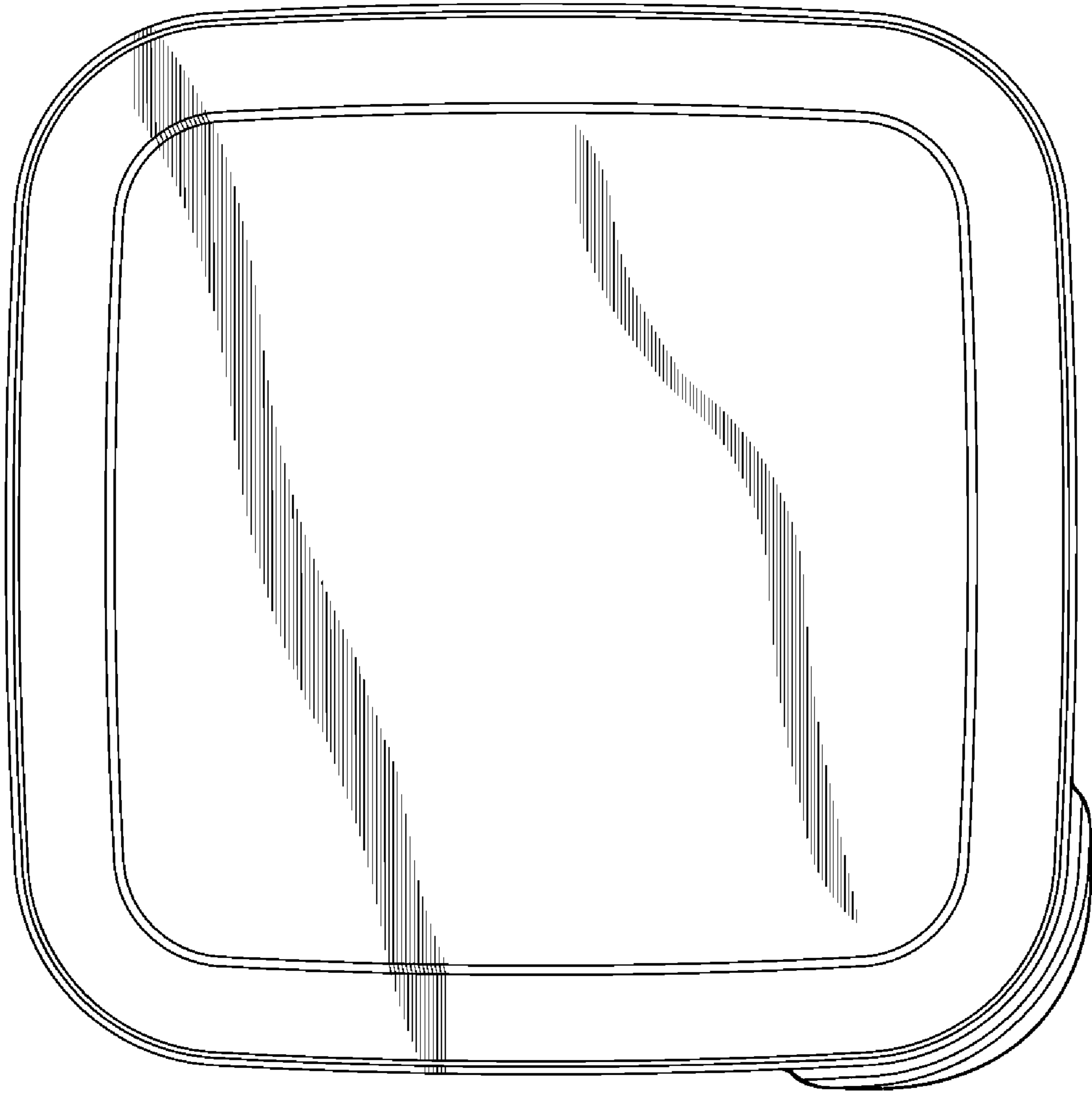


Fig. 11

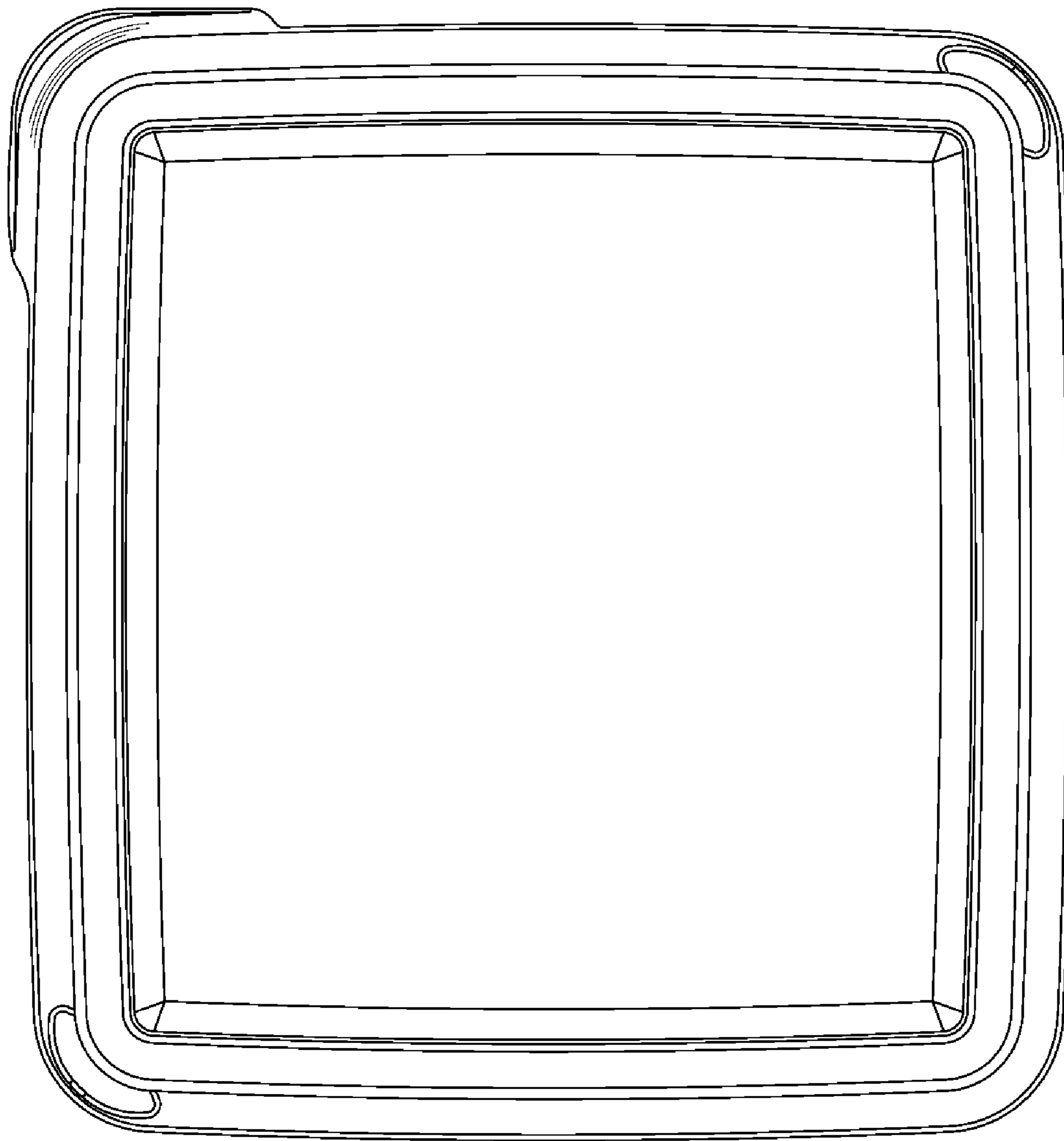


Fig. 12

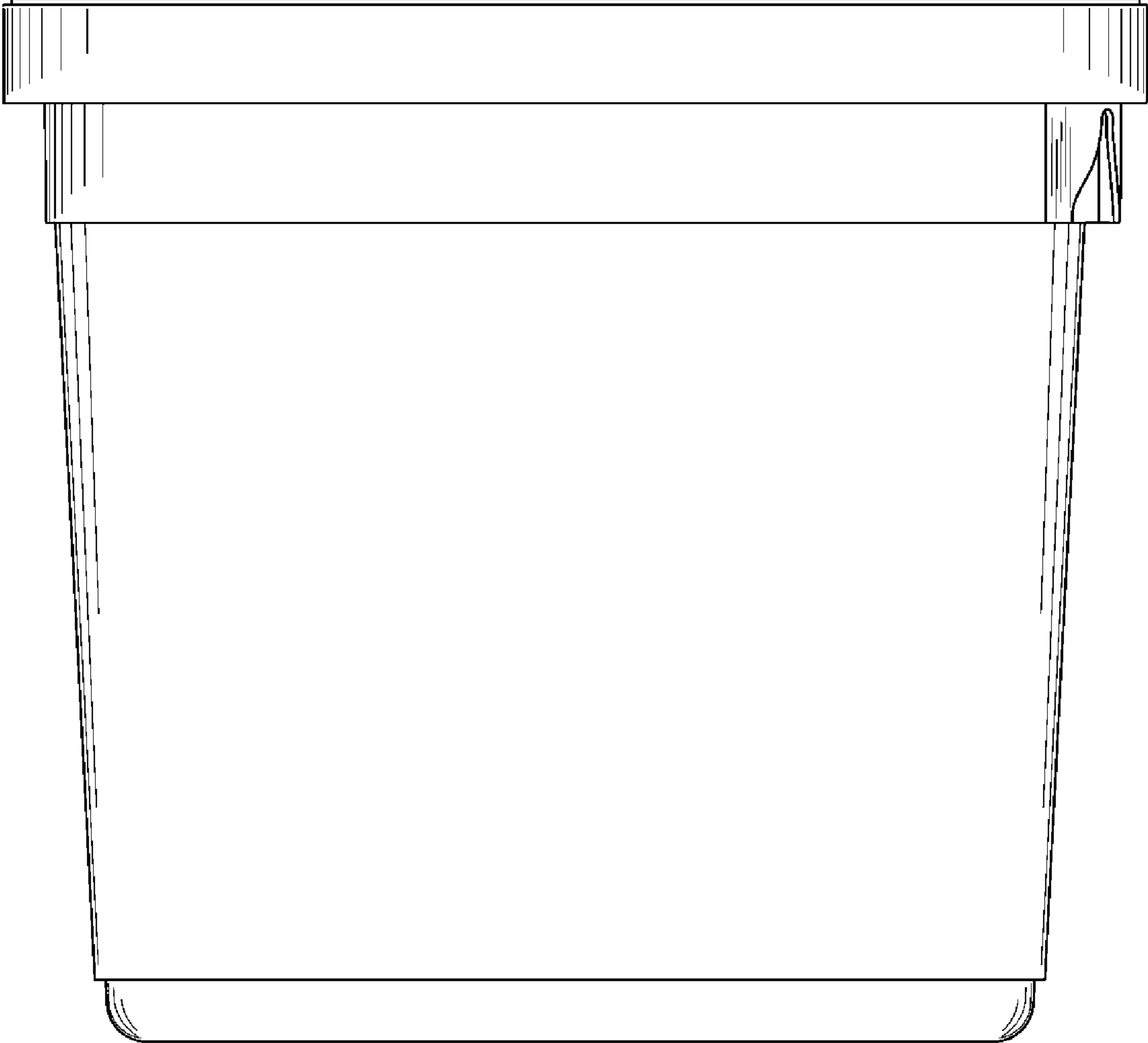


Fig. 13

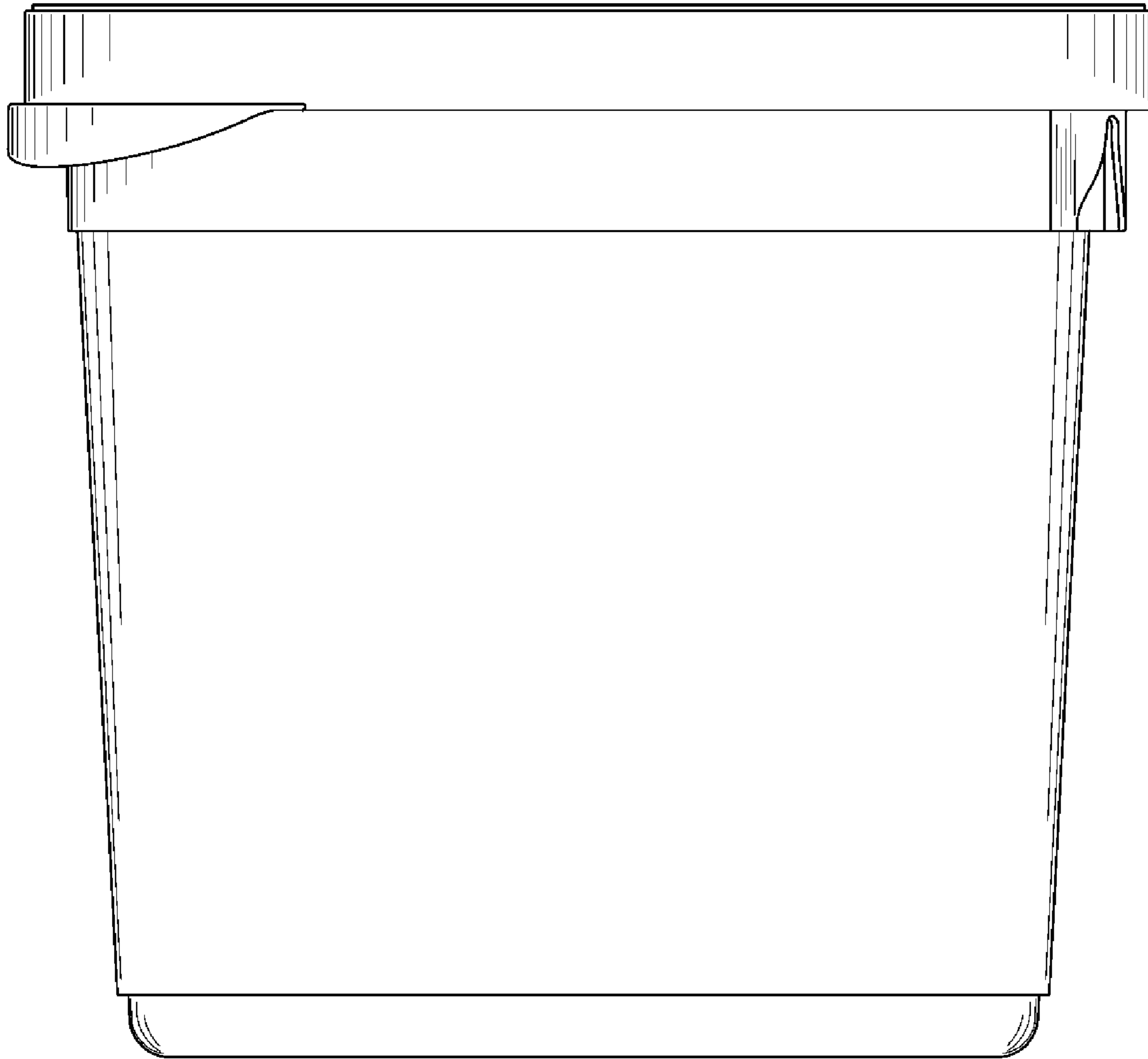


Fig. 14

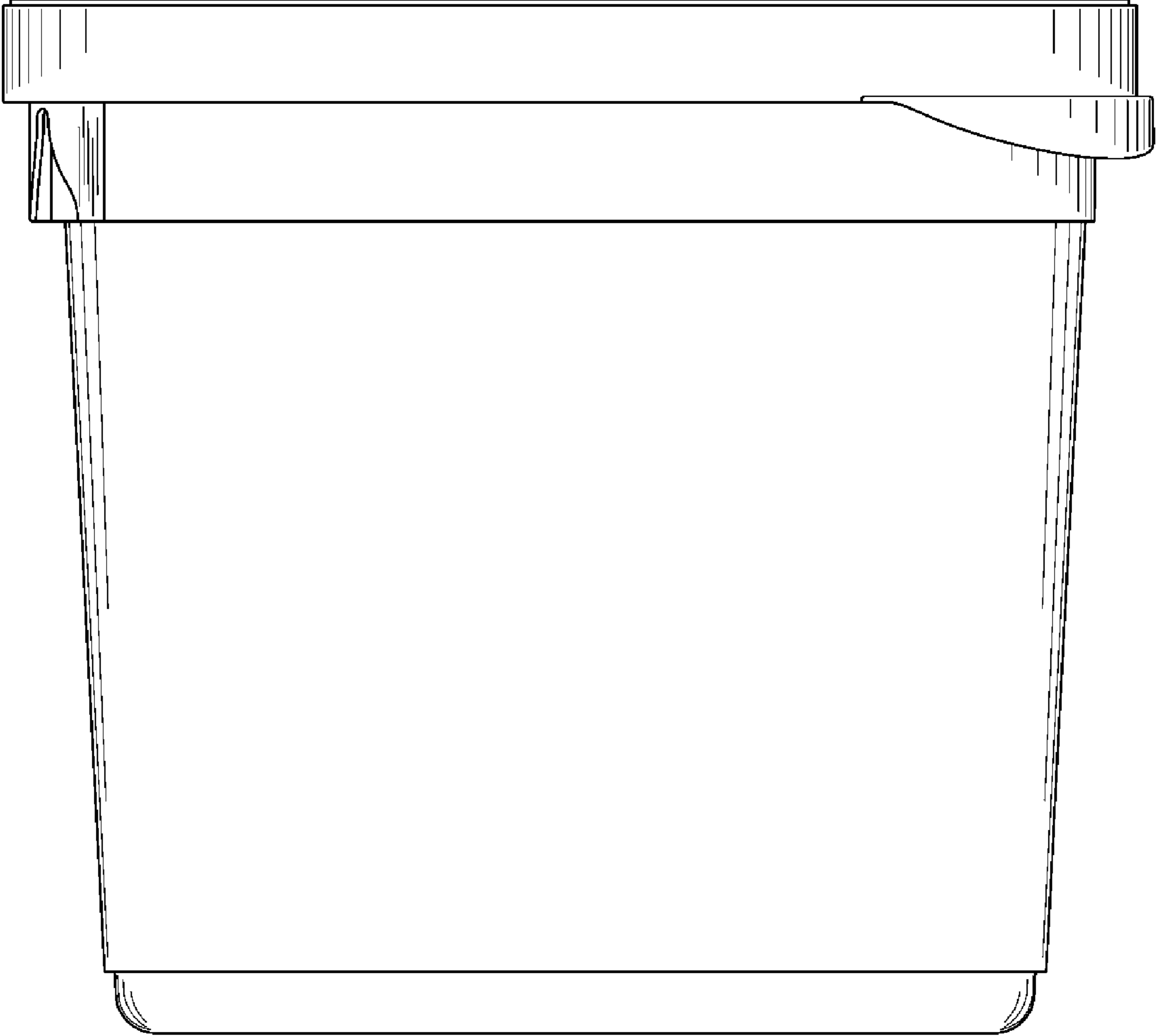


Fig. 15

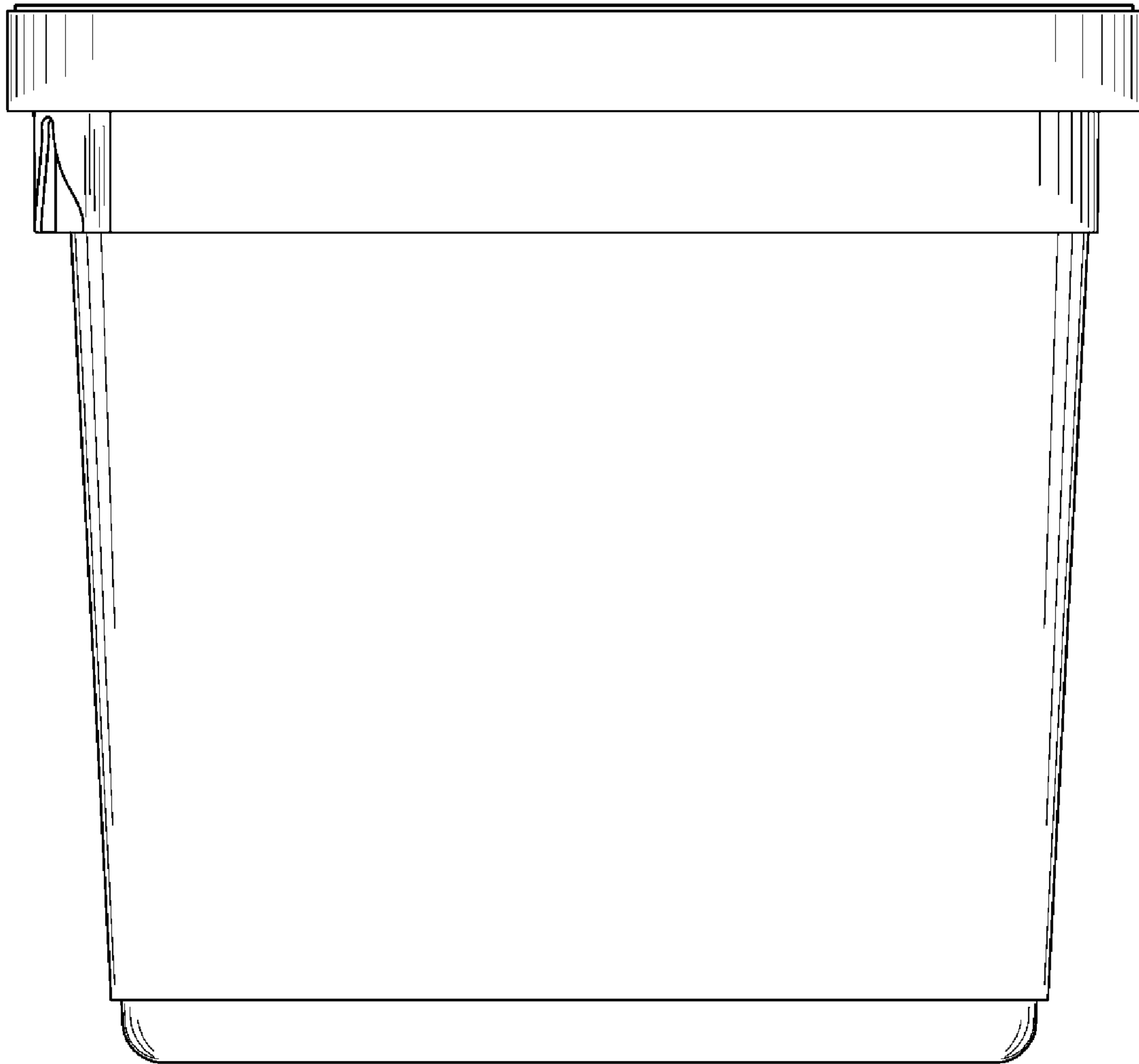


Fig. 16