



US00D587563S

(12) **United States Design Patent**  
**Fleischman**

(10) **Patent No.:** **US D587,563 S**  
(45) **Date of Patent:** **\*\* Mar. 3, 2009**

(54) **RESORT CHAIR CLIP**

(75) Inventor: **Curtis Fleischman**, Clackamas, OR  
(US)

(73) Assignee: **Stable Solutions, LLC**, Clackamas, OR  
(US)

(\*\*) Term: **14 Years**

(21) Appl. No.: **29/282,228**

(22) Filed: **Jul. 13, 2007**

(51) **LOC (9) Cl.** ..... **08-08**

(52) **U.S. Cl.** ..... **D8/396**

(58) **Field of Classification Search** ..... D8/356,  
D8/394-396, 371; D19/65; 24/570, 67.9;  
D32/60-64; D24/128; 248/74.2, 215, 227.1,  
248/49, 300, 301, 316.7, 51, 489  
See application file for complete search history.

(56) **References Cited**

**U.S. PATENT DOCUMENTS**

D295,723 S \* 5/1988 Shioda ..... D8/396  
5,018,260 A \* 5/1991 Ziu ..... 24/555

D344,449 S \* 2/1994 Ward ..... D8/395  
D438,449 S \* 3/2001 Taylor ..... D8/356  
D483,654 S \* 12/2003 Taylor ..... D8/356

\* cited by examiner

*Primary Examiner*—T. Chase Nelson

*Assistant Examiner*—John Windmuller

(74) *Attorney, Agent, or Firm*—Schwabe, Williamson & Wyatt, P.C.

(57) **CLAIM**

The ornamental design for a resort chair clip, as shown and described.

**DESCRIPTION**

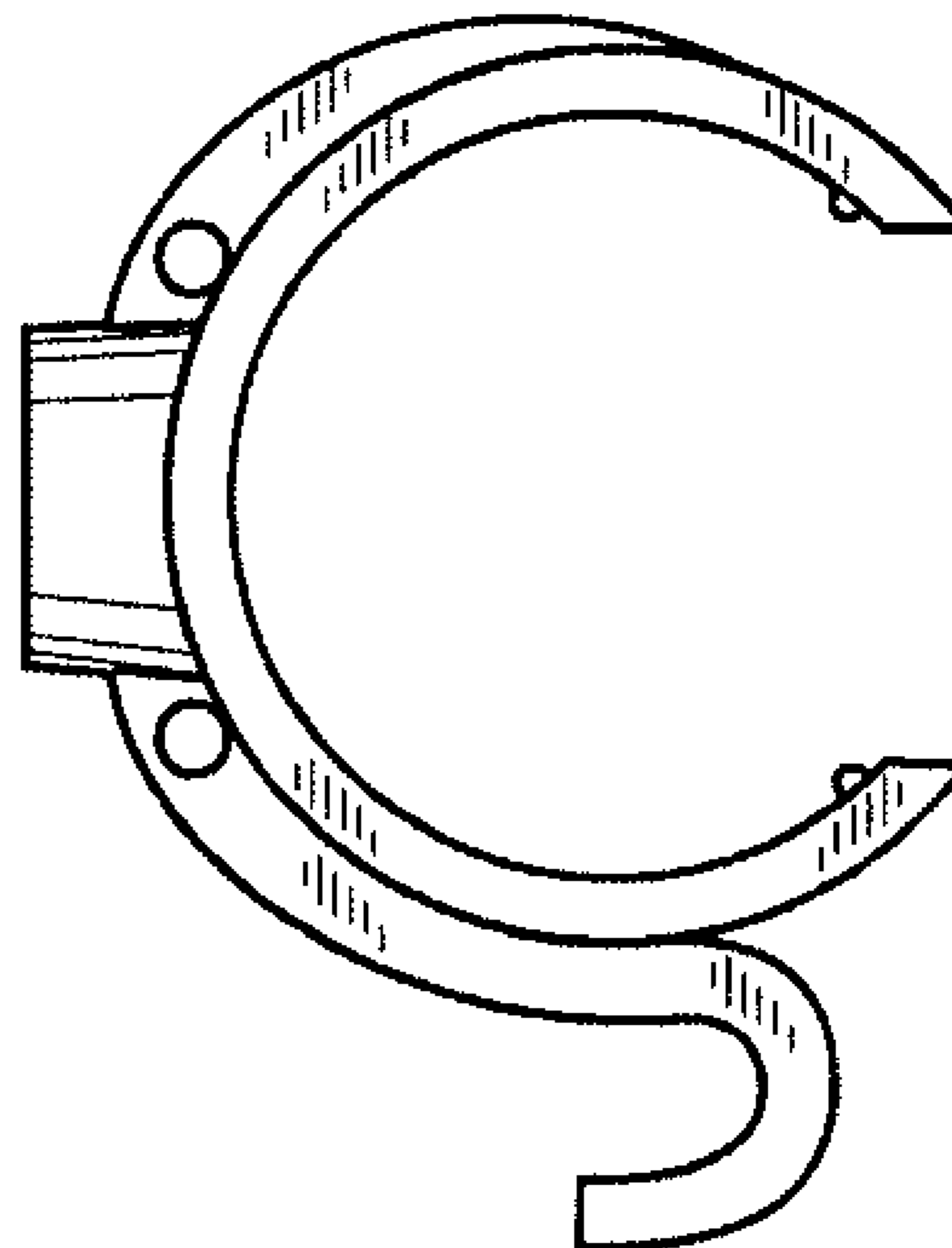
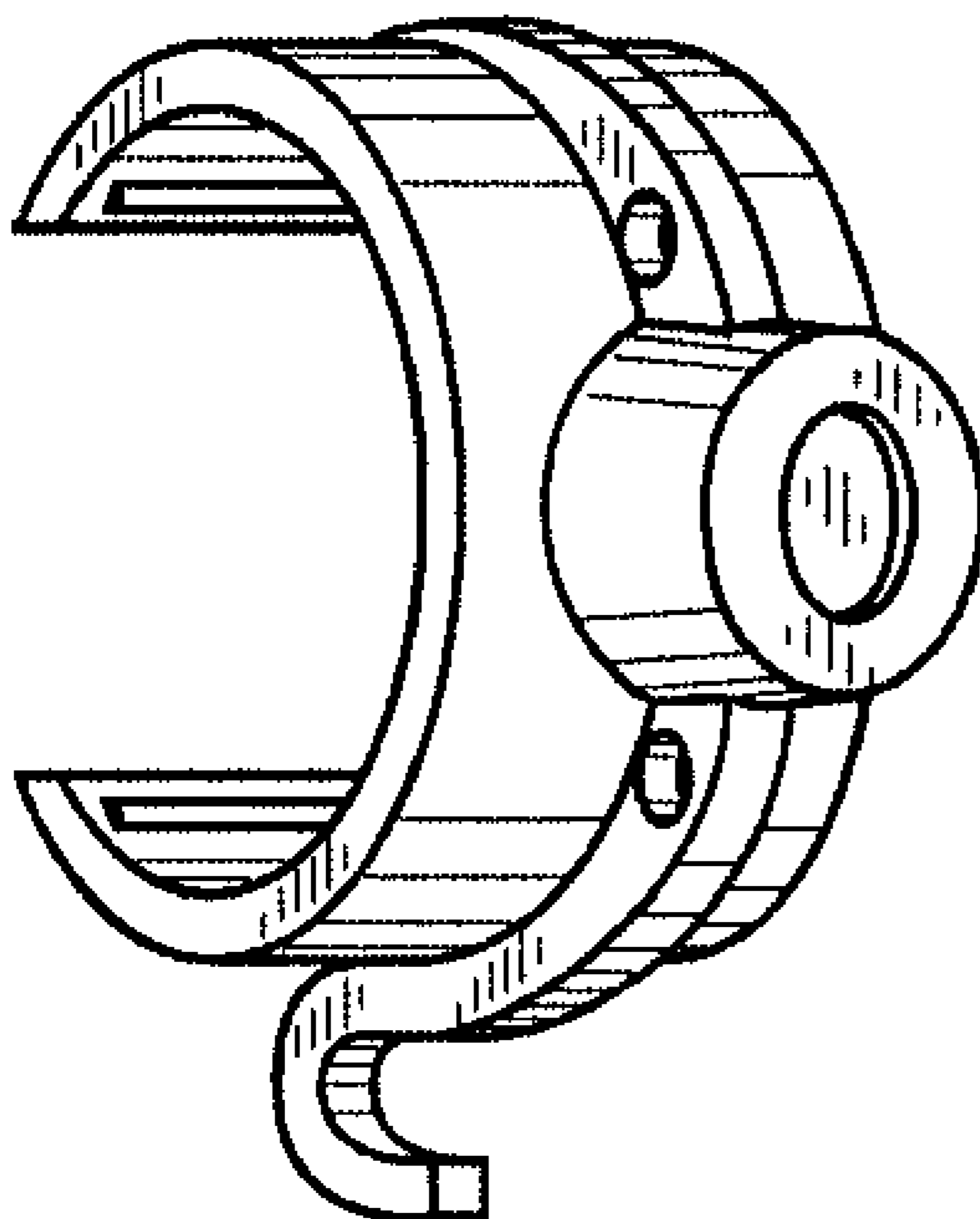
FIG. 1 is a front perspective view of a resort chair clip showing my new design;

FIG. 2 is a left side view thereof;

FIG. 3 is a rear view thereof; and,

FIG. 4 is a right side view thereof.

**1 Claim, 1 Drawing Sheet**



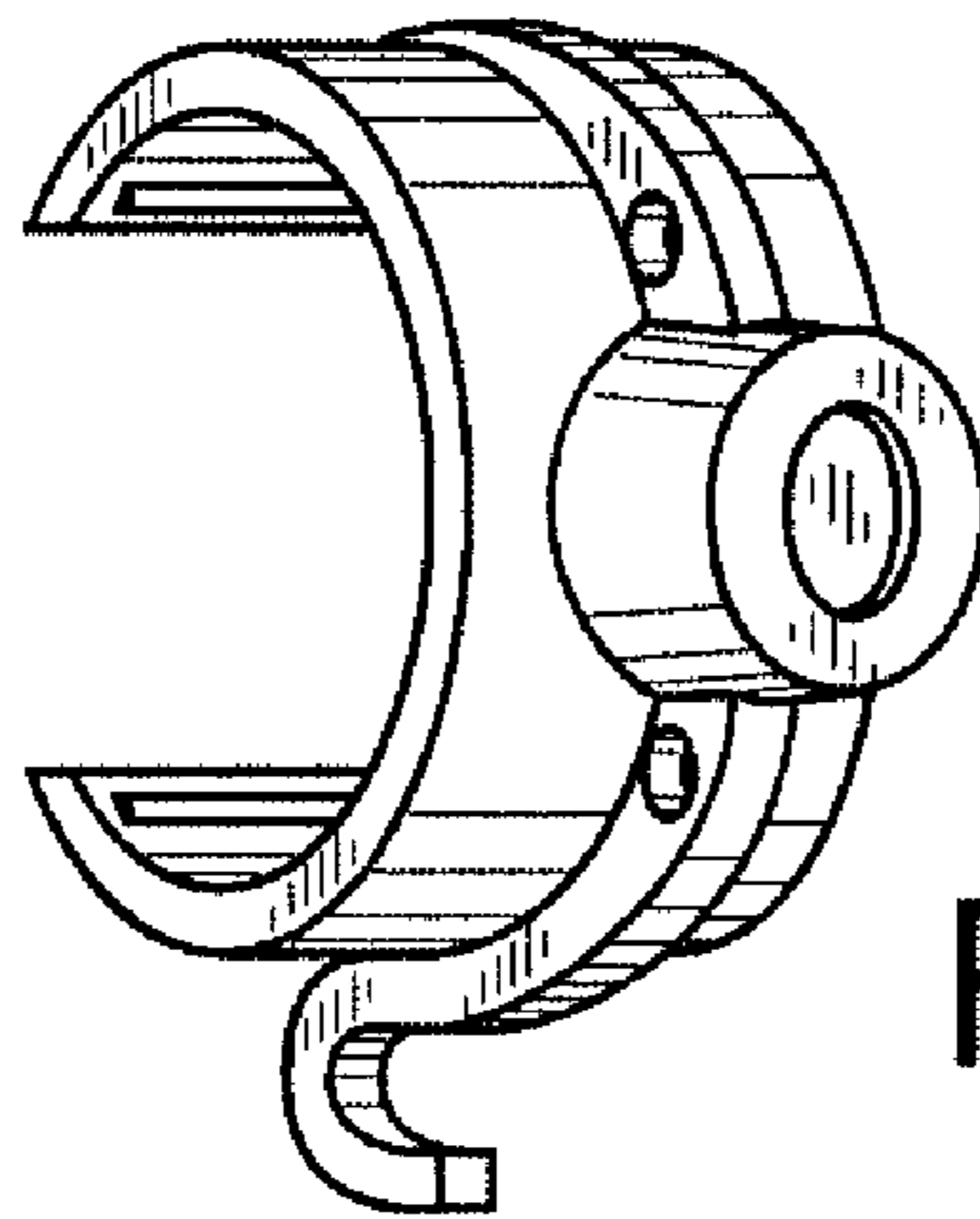


FIG. 1

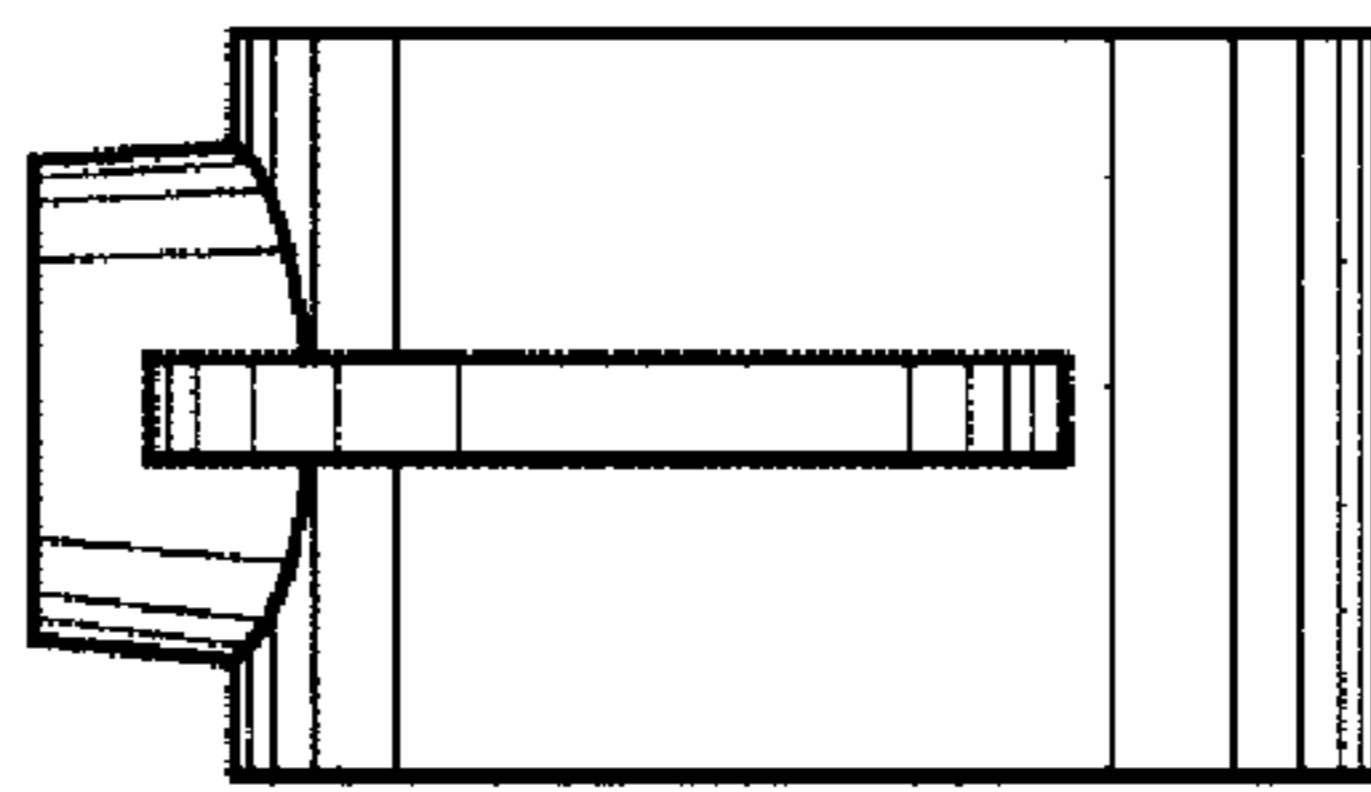


FIG. 2

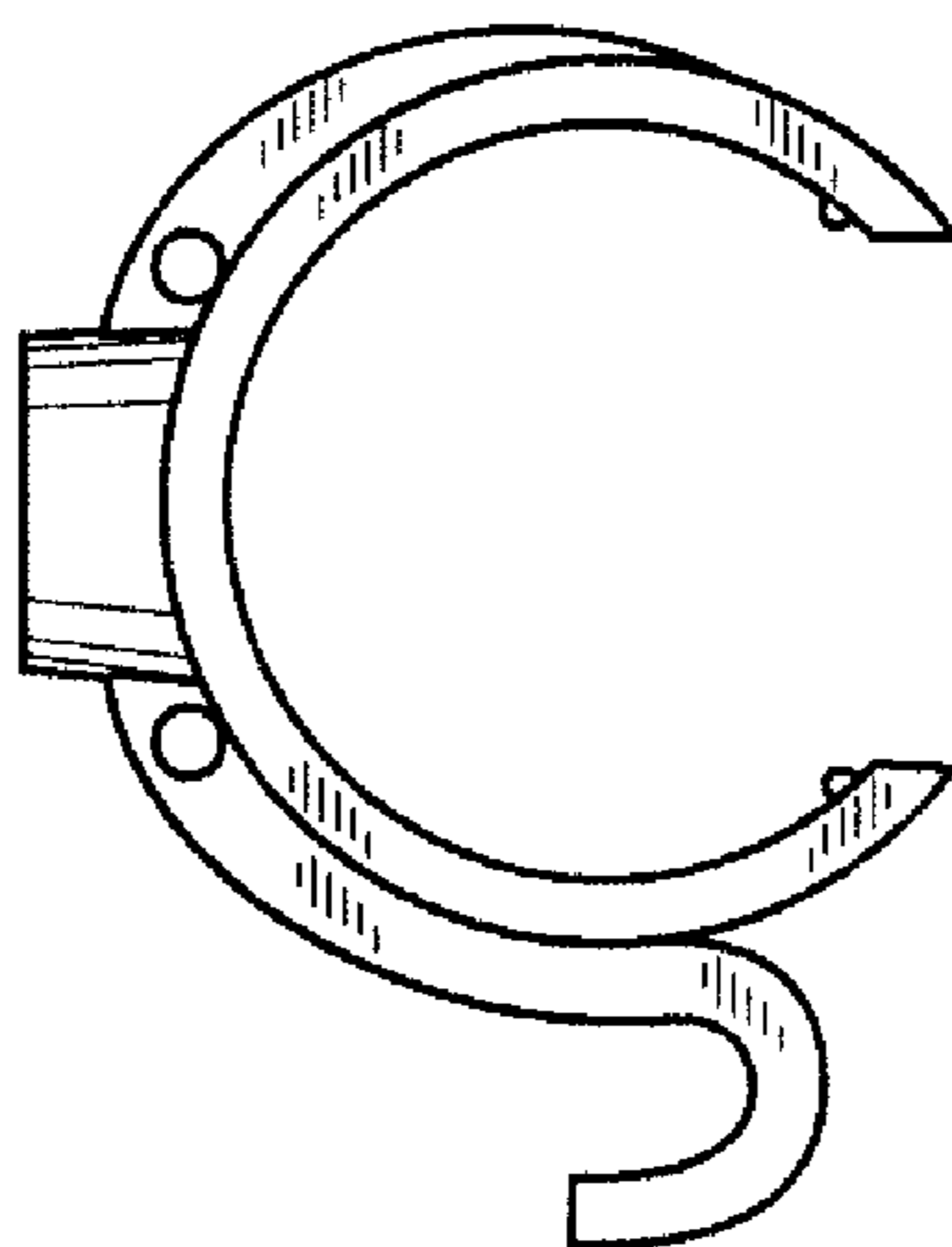


FIG. 3

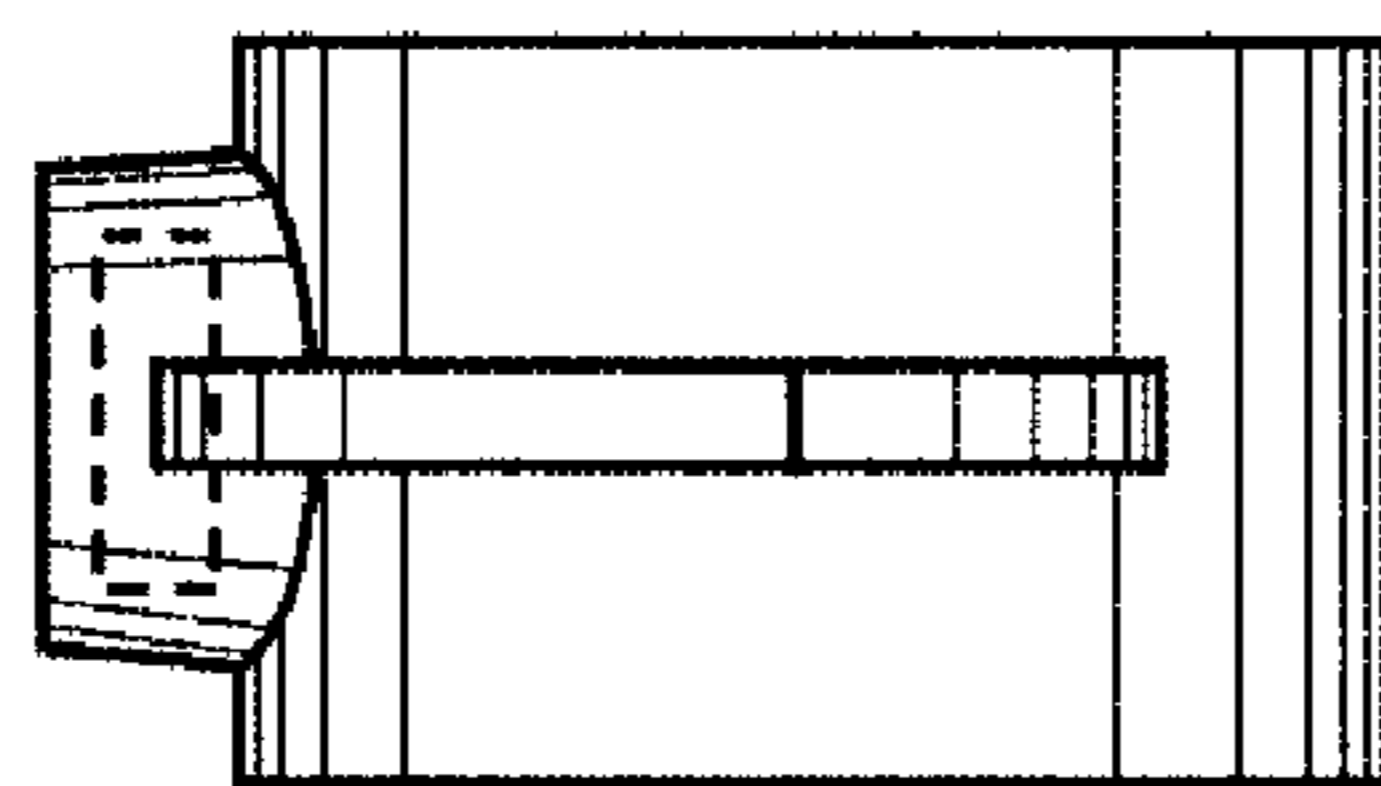


FIG. 4