



US00D587562S

(12) **United States Design Patent**
Fernandez

(10) **Patent No.:** **US D587,562 S**
(45) **Date of Patent:** **** Mar. 3, 2009**

(54) **STANDARD**

(75) Inventor: **Julio A. Fernandez**, Doonnellon, FL
(US)

(73) Assignee: **Clairson, Inc.**, Newark, DE (US)

(**) Term: **14 Years**

(21) Appl. No.: **29/298,394**

(22) Filed: **Dec. 4, 2007**

(51) **LOC (9) Cl.** **08-05**

(52) **U.S. Cl.** **D8/381**

(58) **Field of Classification Search** D8/354,
D8/373, 381; 211/125, 187, 90.02, 90.03,
211/90.04

See application file for complete search history.

(56) **References Cited**

U.S. PATENT DOCUMENTS

D5,634 S	3/1872	Wunder
D78,426 S	4/1929	Whincap
1,793,036 A	2/1931	Whitney
D108,811 S	3/1938	Snyder
2,266,274 A	12/1941	Schroeder
2,441,721 A	5/1948	Schroeder
3,499,541 A	3/1970	Mackie
3,563,182 A	2/1971	MacFarlane et al.
3,640,389 A	2/1972	Snyder
D227,742 S	7/1973	Logsdon
3,760,744 A	9/1973	Cruckshank
D228,852 S	10/1973	Vogelhuber et al.
3,998,170 A	12/1976	Gordon
D244,668 S	6/1977	Tegner
4,098,480 A	7/1978	Neumann
4,155,312 A	5/1979	Thorkildson
4,523,722 A	6/1985	Cohen et al.
D279,959 S	8/1985	Nimmo et al.
4,533,056 A	8/1985	Krikorian
4,548,327 A	10/1985	Kilkelly
4,603,781 A	8/1986	Ryan, Jr.
4,646,998 A	3/1987	Pate
4,671,419 A	6/1987	Beverly
4,693,380 A	9/1987	Muth

4,708,552 A	11/1987	Bustos et al.
D293,416 S	12/1987	Krueger
4,732,284 A	3/1988	Remmers
D295,182 S	4/1988	Remmers

(Continued)

FOREIGN PATENT DOCUMENTS

EP 0338872 A1 10/1989

(Continued)

OTHER PUBLICATIONS

Reissue U.S. Appl. No. 11/014,663, filed Dec. 16, 2004 (Remmers).

(Continued)

Primary Examiner—Holly H Baynham
(74) *Attorney, Agent, or Firm*—Harness, Dickey & Pierce,
P.L.C.

(57) **CLAIM**

The ornamental design for a standard, as shown and described.

DESCRIPTION

FIG. 1 is a front perspective view of a standard, showing my design;

FIG. 2 is a back perspective view thereof;

FIG. 3 is a bottom view thereof;

FIG. 4 is a top view thereof;

FIG. 5 is a left side view thereof;

FIG. 6 is a right side view thereof;

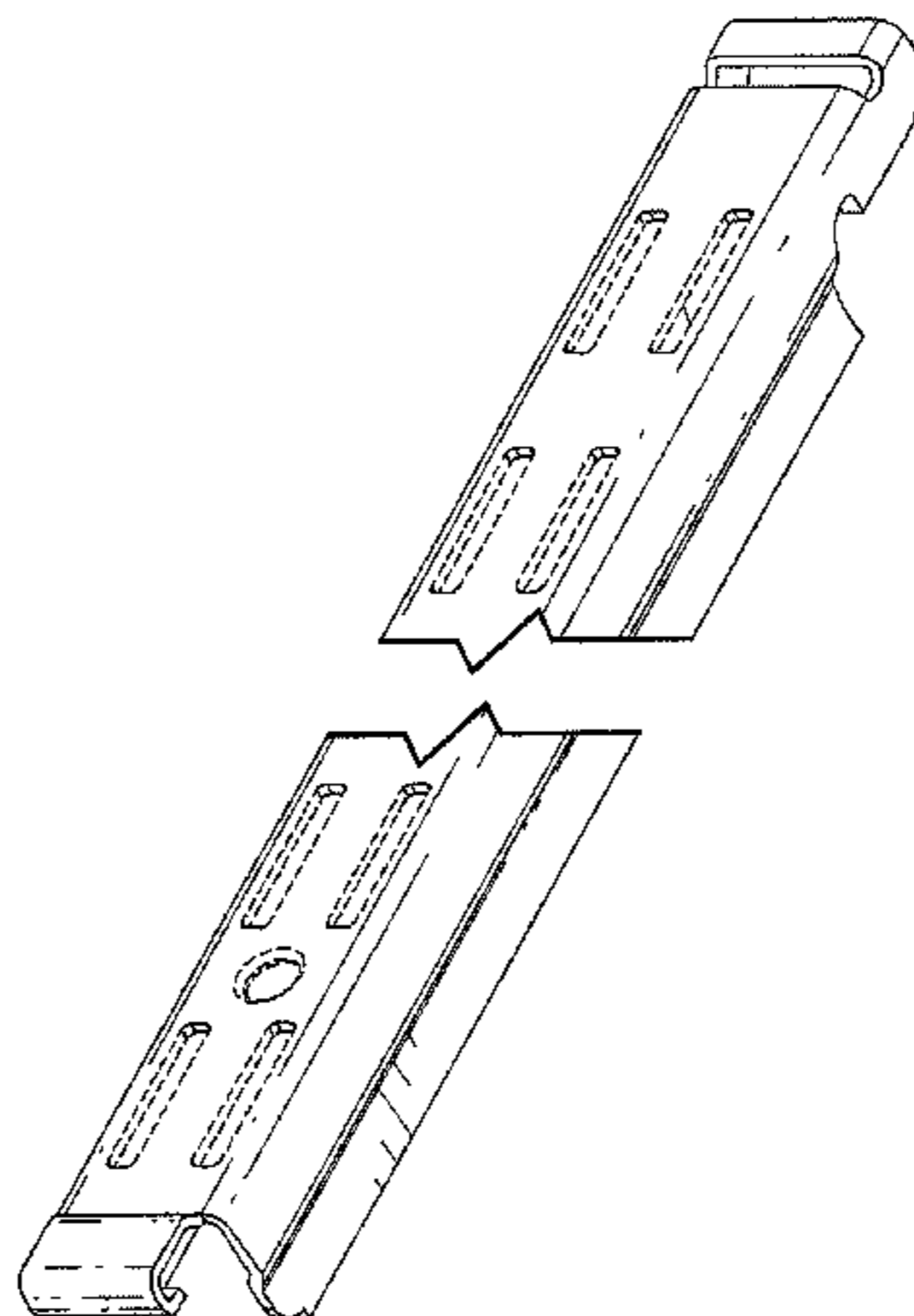
FIG. 7 is a front view thereof; and,

FIG. 8 is a back view thereof.

The broken lines showing double slots and the circular fastening hole are for illustrative purposes only and form no part of the claimed design.

The claimed design is shown broken away to indicate indeterminate length.

1 Claim, 6 Drawing Sheets



US D587,562 S

Page 2

U.S. PATENT DOCUMENTS

4,735,325	A	4/1988	Remmers
D295,472	S	5/1988	Remmers
4,781,349	A	11/1988	Remmers
4,783,035	A	11/1988	Remmers
D299,212	S	1/1989	Murphy
D299,436	S	1/1989	Muth
4,795,041	A	1/1989	Remmers
4,838,451	A	6/1989	Arkell et al.
D305,272	S	12/1989	Remmers
D311,860	S	11/1990	Remmers
D312,389	S	11/1990	Remmers
5,074,223	A	12/1991	Remmers
D323,452	S	* 1/1992	Stumpf et al. D8/381
D323,715	S	* 2/1992	Bodurow et al. D25/119
5,086,936	A	2/1992	Remmers
D334,497	S	4/1993	Putty
D340,639	S	10/1993	Remmers
D342,015	S	* 12/1993	Andrejew D8/373
D348,826	S	7/1994	McCaffrey
5,326,062	A	7/1994	Remmers
5,330,063	A	7/1994	Remmers
5,351,842	A	10/1994	Remmers
D353,500	S	12/1994	Remmers
5,407,084	A	4/1995	Remmers
5,492,295	A	2/1996	Remmers
D369,293	S	4/1996	Gusdorf et al.
5,531,416	A	7/1996	Remmers
5,533,851	A	7/1996	Remmers
D373,719	S	9/1996	Lin
5,580,018	A	12/1996	Remmers
5,584,405	A	12/1996	Tunzi
D392,553	S	3/1998	Dill
5,752,610	A	5/1998	Remmers
5,755,414	A	5/1998	Remmers
D394,999	S	6/1998	Phillip
5,758,851	A	6/1998	Remmers
D402,536	S	12/1998	Cousins
D403,234	S	12/1998	Nagato
D408,175	S	4/1999	Daniels et al.
D409,866	S	5/1999	West
D411,738	S	6/1999	Raasch et al.
5,909,936	A	6/1999	Daniels et al.
5,921,412	A	7/1999	Merl
6,053,465	A	4/2000	Kluge
D423,917	S	5/2000	Remmers et al.
D427,466	S	7/2000	Remmers
D437,515	S	2/2001	Remmers et al.
6,279,467	B1	8/2001	Tiemann
6,402,108	B1	6/2002	Remmers
6,457,594	B1	10/2002	Tiemann
6,467,860	B2	10/2002	Remmers
6,494,653	B2	12/2002	Remmers
D470,398	S	2/2003	Remmers
D477,144	S	7/2003	Remmers
6,626,509	B2	9/2003	Remmers
6,669,154	B1	12/2003	Remmers
D485,109	S	1/2004	Oberhaus
D490,690	S	6/2004	Brass et al.
6,840,593	B2	1/2005	Remmers
D506,385	S	6/2005	Brown
6,915,913	B2	7/2005	Cardinell
6,953,176	B2	10/2005	Remmers
D513,970	S	* 1/2006	Sterling et al. D8/381

7,004,335	B2	2/2006	Remmers
7,021,730	B2	4/2006	Remmers
D522,848	S	6/2006	Nawrocki
D522,852	S	6/2006	Nawrocki
D525,811	S	8/2006	Nawrocki
D526,519	S	8/2006	Nawrocki
D526,887	S	8/2006	Remmers et al.
7,086,543	B2	8/2006	Remmers
7,090,317	B2	8/2006	Remmers
D527,559	S	9/2006	Remmers
D527,935	S	9/2006	Remmers
D531,019	S	10/2006	Plumer
D531,891	S	11/2006	Nawrocki
7,174,605	B1	2/2007	Nawrocki
7,185,772	B2	3/2007	Remmers
7,188,740	B2	3/2007	Marchetta et al.
D543,094	S	5/2007	Remmers
7,225,237	B1	5/2007	Tenereillo
D544,260	S	6/2007	Nawrocki
D544,261	S	6/2007	Nawrocki
D547,163	S	7/2007	Xayoiphonh
D547,164	S	7/2007	Xayoiphonh
D547,640	S	7/2007	Remmers
7,240,803	B2	7/2007	Stitchick et al.
D550,540	S	9/2007	Nawrocki
D551,062	S	9/2007	Nawrocki
D551,884	S	10/2007	Remmers
D553,485	S	10/2007	Hall
7,296,697	B2	11/2007	Costa et al.
D559,090	S	1/2008	Nawrocki
7,314,144	B2	1/2008	Stitchick et al.
2005/0109720	A1	5/2005	Marchetta
2005/0145147	A1	7/2005	Costa et al.
2005/0247651	A1	11/2005	Craft
2006/0011568	A1	1/2006	Remmers et al.
2006/0113443	A1	6/2006	Remmers
2007/0023374	A1	2/2007	Nawrocki
2007/0068887	A1	3/2007	Nawrocki
2007/0101545	A1	5/2007	Nawrocki
2007/0102604	A1	5/2007	Nawrocki
2007/0108146	A1	5/2007	Nawrocki
2007/0108148	A1	5/2007	Stitchick et al.
2007/0114197	A1	5/2007	Remmers
2007/0114348	A1	5/2007	Nawrocki
2007/0119805	A1	5/2007	Nawrocki
2007/0137417	A1	6/2007	Nawrocki et al.
2007/0159040	A1	7/2007	Fernandez et al.
2007/0187561	A1	8/2007	Xayoiphonh
2007/0205172	A1	9/2007	Stitchick et al.
2008/0047098	A1	2/2008	Nawrocki

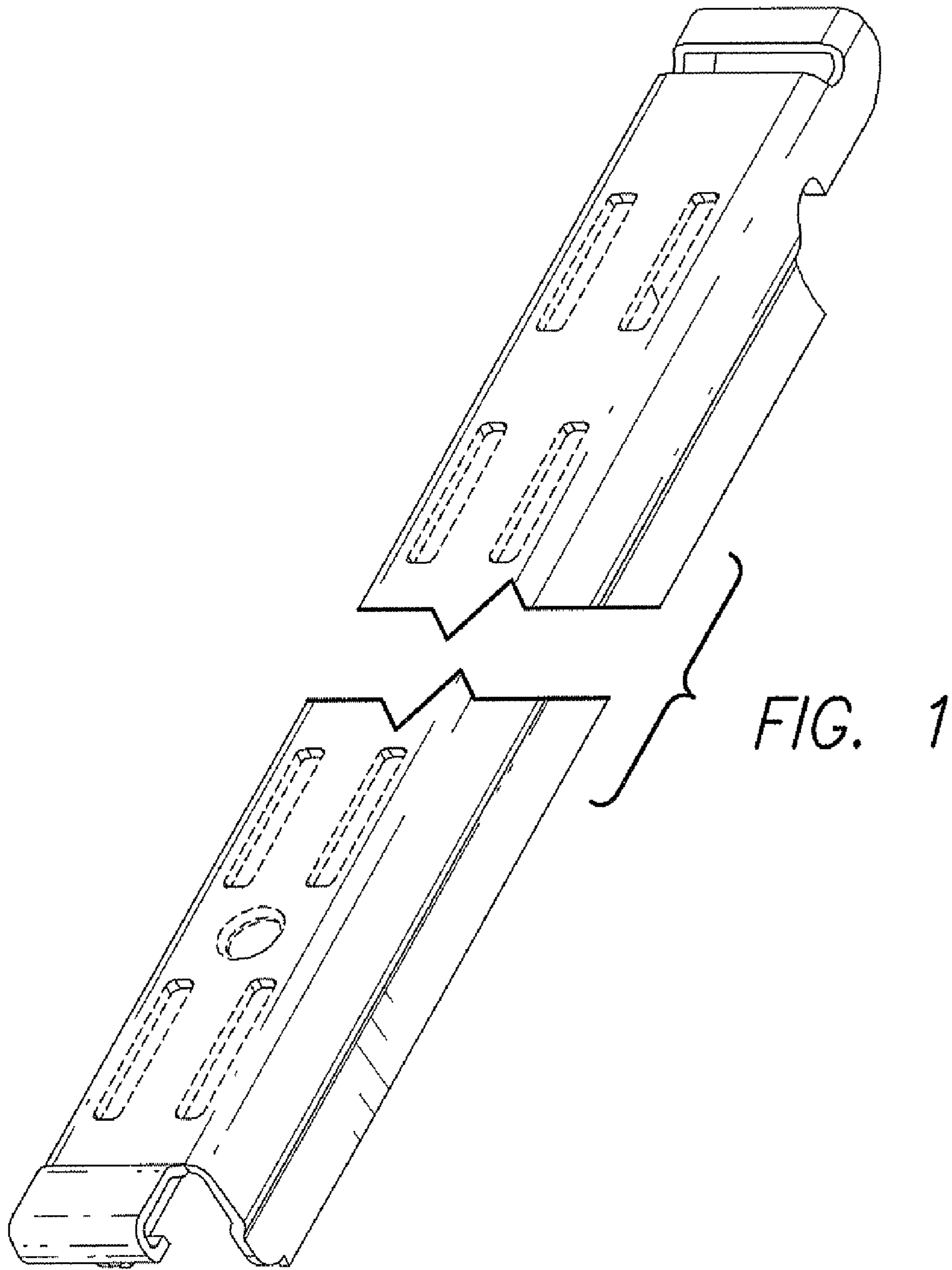
FOREIGN PATENT DOCUMENTS

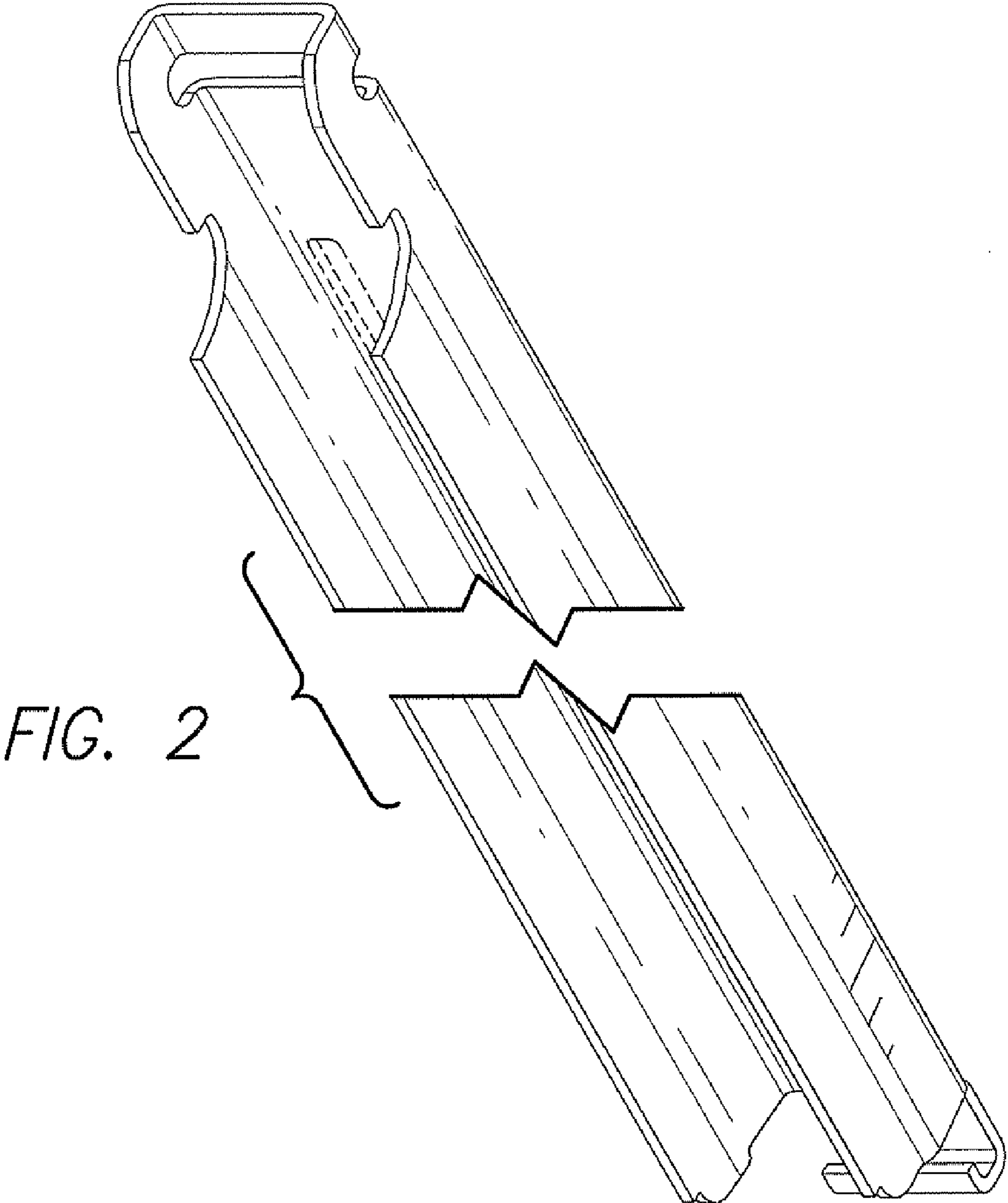
FR	2717994	A1	10/1995
GB	2153205	A	8/1985
GB	2180141		3/1987
GB	2229625	A	10/1990
JP	10002663		1/1998
WO	WO 2004/056236		7/2004

OTHER PUBLICATIONS

Reissue U.S. Appl. 11/014,663, filed Dec. 16, 2004, Remmers.
 U.S. Appl. 11/933,694, filed Nov. 1, 2007, Nawrocki.
 U.S. Appl. 29/252,059, filed Jan. 18, 2006, Nawrocki.

* cited by examiner





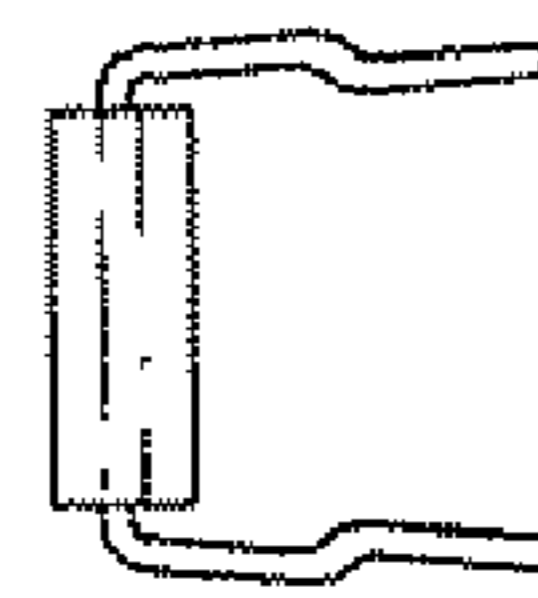
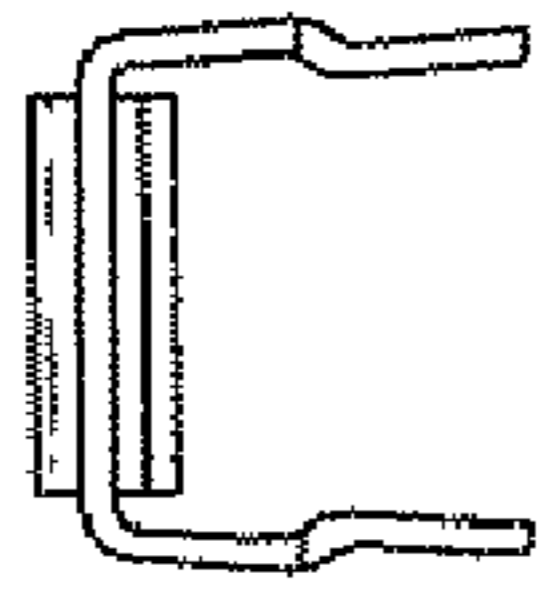


FIG. 3

FIG. 4

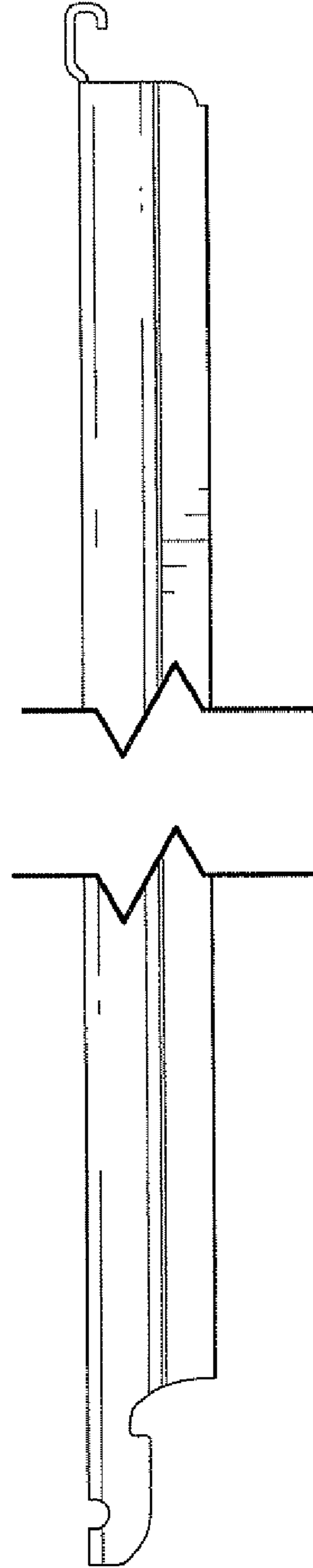


FIG. 5

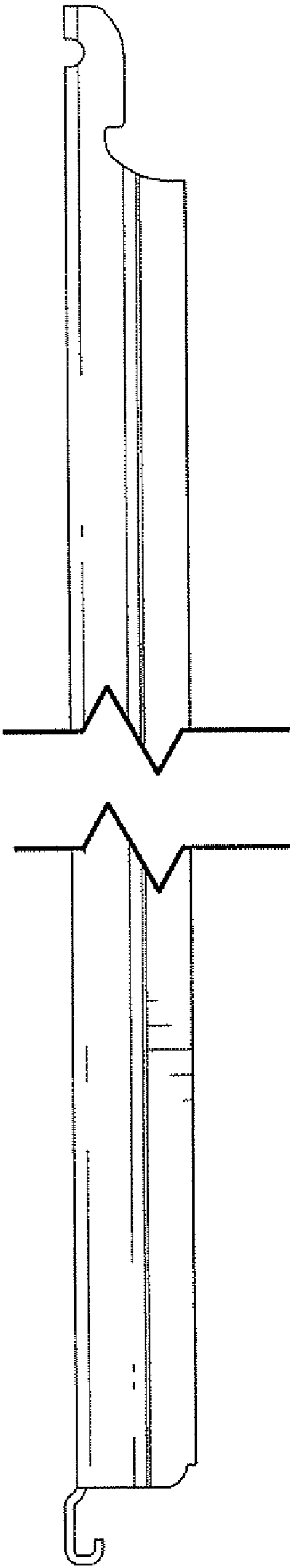


FIG. 6

FIG. 7

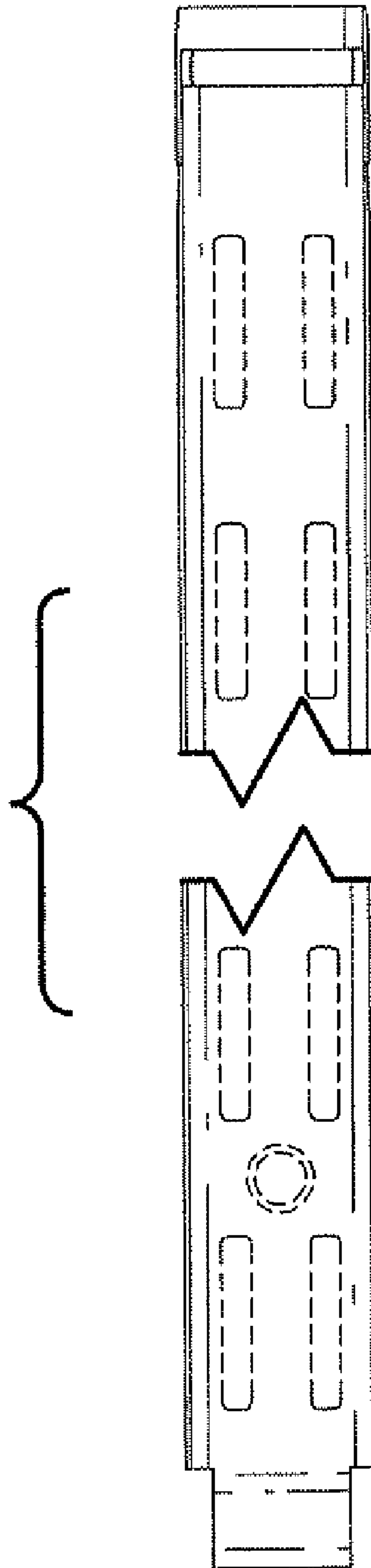


FIG. 8

