



US00D587556S

(12) **United States Design Patent**
Marks

(10) **Patent No.:** **US D587,556 S**
(45) **Date of Patent:** **** Mar. 3, 2009**

(54) **DOOR KNOB**

(75) Inventor: **George R. Marks**, Roslyn, NY (US)

(73) Assignee: **Marks USA I, LLC**, Amityville, NY (US)

(**) Term: **14 Years**

(21) Appl. No.: **29/323,145**

(22) Filed: **Aug. 19, 2008**

(51) **LOC (9) Cl.** **08-06**

(52) **U.S. Cl.** **D8/312; D8/300**

(58) **Field of Classification Search** D8/300–303, D8/305–321, DIG. 1, DIG. 2, DIG. 10; D7/393, D7/394, 405, 395; D3/318; D6/549, 524, D6/533, 550; D23/250–254, 303, 305; D15/89; 292/347, 336.3; 211/16, 182; 220/752–754; 16/441, 118, 110 R, 111 R, DIG. 19, DIG. 30, 16/110.1, 412, 414–420, 443–446; D13/174, D13/171, 158

See application file for complete search history.

(56) **References Cited**

U.S. PATENT DOCUMENTS

D68,988 S *	12/1925	Riehle	D8/312
D93,624 S *	10/1934	Kasch	D8/312
D93,773 S *	11/1934	Krieger	D8/312
2,741,501 A *	4/1956	Melloy	403/4
3,249,990 A *	5/1966	Schlage	29/896.5
D208,918 S *	10/1967	Dole, Jr.	D8/311
D209,145 S *	11/1967	Hampel et al.	D8/311
D227,566 S *	7/1973	Thorp	D23/250
D227,568 S *	7/1973	Thorp	D23/252
D262,773 S *	1/1982	Wansbrough et al.	D8/312

D297,807 S *	9/1988	Fildan	D8/302
D381,251 S *	7/1997	Pooley	D8/302
D385,336 S *	10/1997	Kolada et al.	D23/250
D400,778 S *	11/1998	Holbrook, Jr.	D8/311
D498,657 S *	11/2004	Milrud et al.	D8/311
D525,518 S *	7/2006	Baldwin	D8/310
D540,618 S *	4/2007	Ranzoni	D7/397
D542,115 S *	5/2007	Hanna et al.	D8/310
D573,000 S *	7/2008	Martin et al.	D8/311
D577,983 S *	10/2008	Martin et al.	D8/311
D580,737 S *	11/2008	Singtoroj	D8/312

* cited by examiner

Primary Examiner—Stella M Reid

Assistant Examiner—Mark A Goodwin

(74) *Attorney, Agent, or Firm*—Levine & Mandelbaum

(57) **CLAIM**

I claim the ornamental design for a door knob, as shown and described.

DESCRIPTION

FIG. 1 is a perspective view from the front, right side, and top of a door knob showing my new design.

FIG. 2 is front elevational view thereof.

FIG. 3 is rear elevational view thereof.

FIG. 4 is left side elevational view thereof.

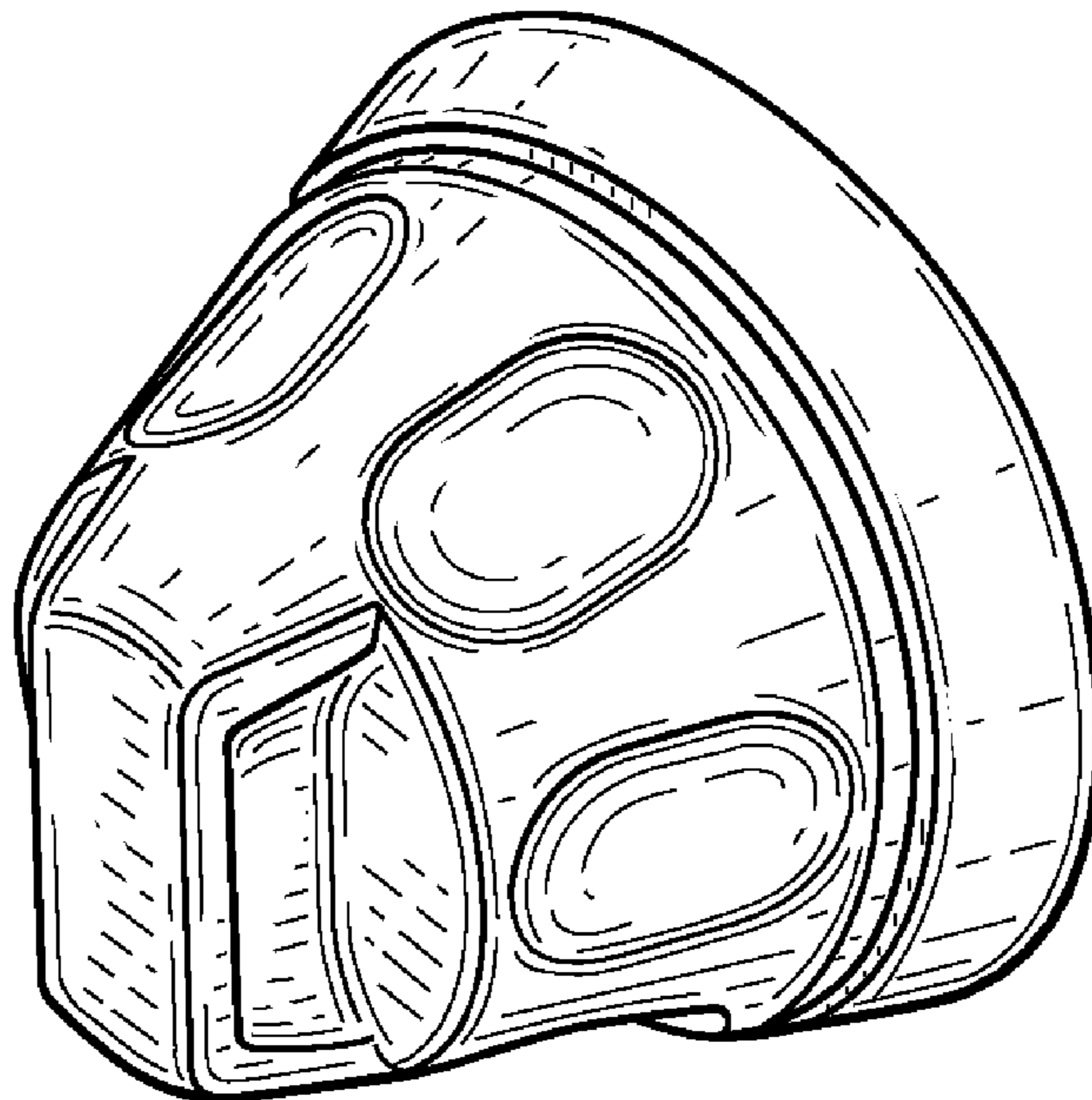
FIG. 5 is right side elevational view thereof.

FIG. 6 is bottom plan view thereof; and,

FIG. 7 is top plan view thereof.

The broken line showing in FIG. 3 is included for the purpose of illustrating a portion of the door knob and forms no part of the claimed design.

1 Claim, 4 Drawing Sheets



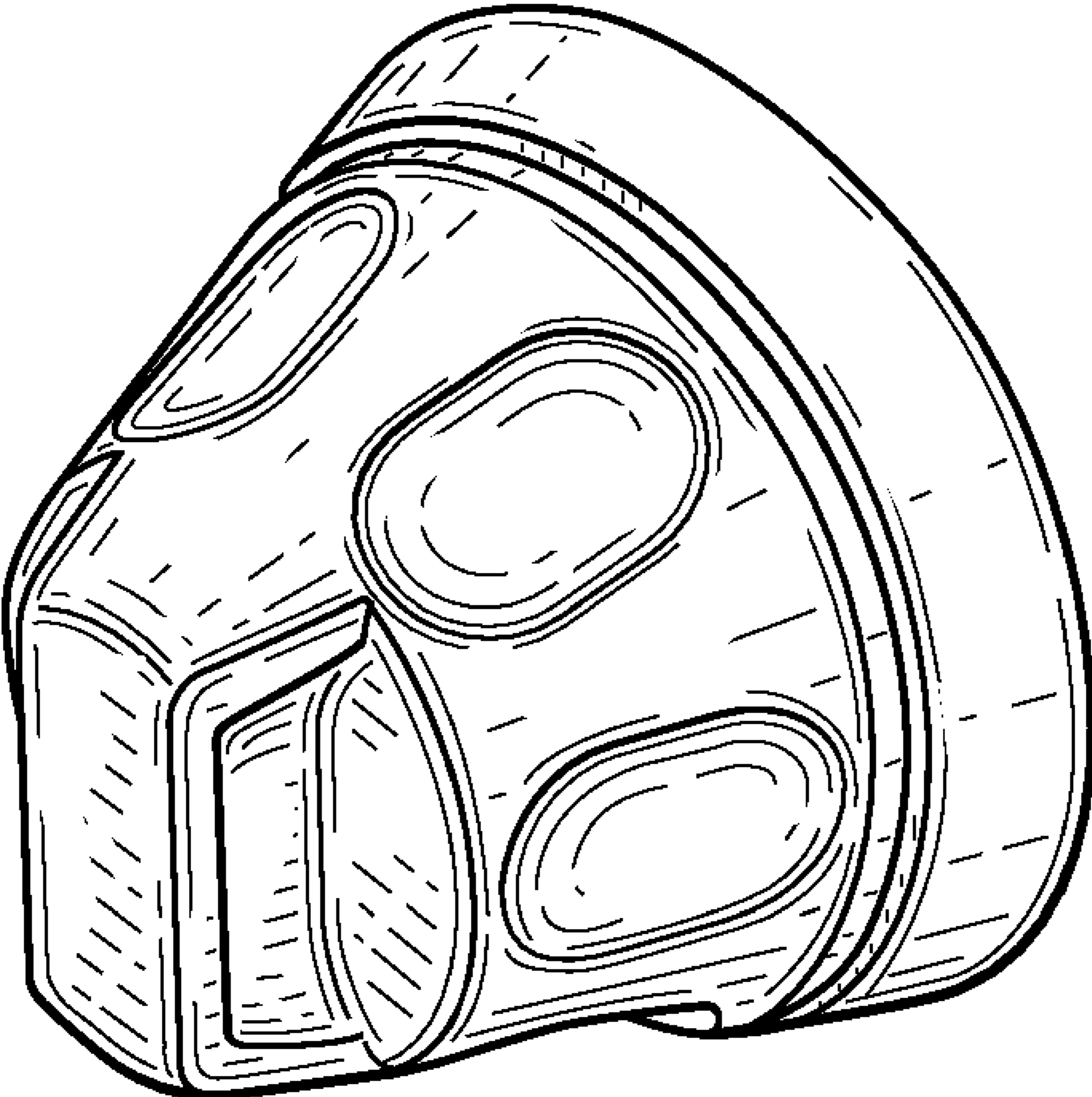


FIG. 1

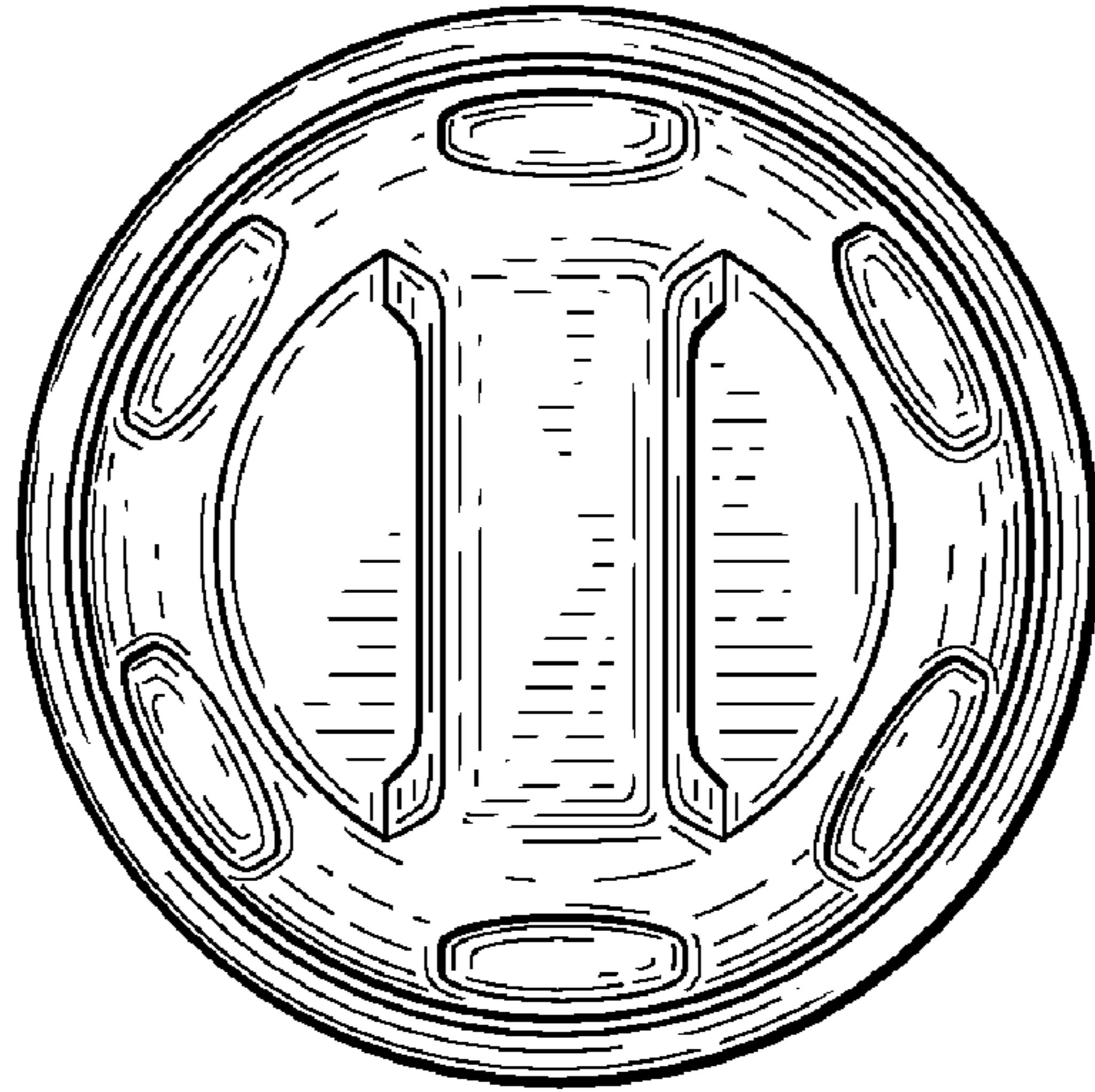


FIG. 2

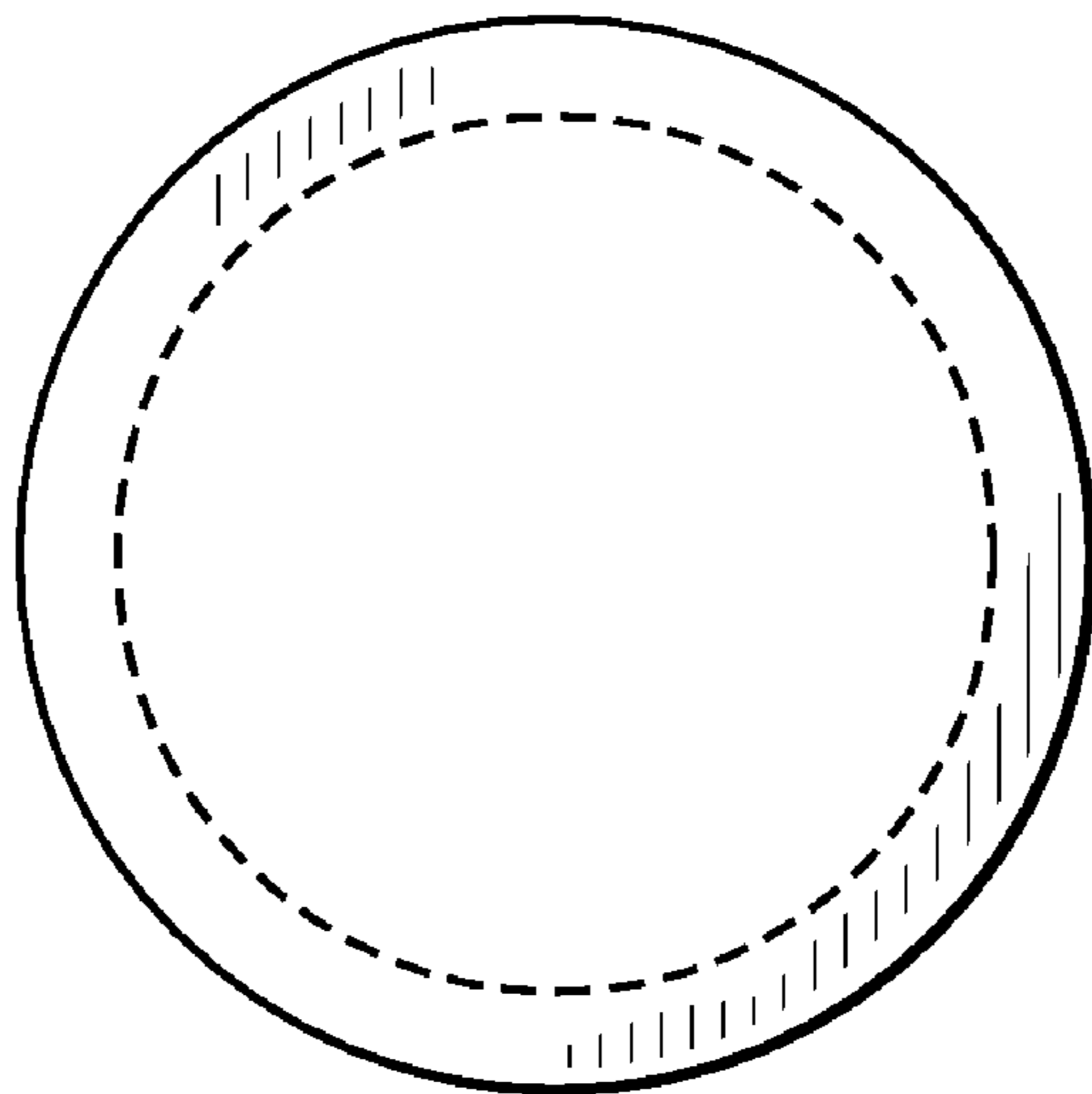


FIG. 3

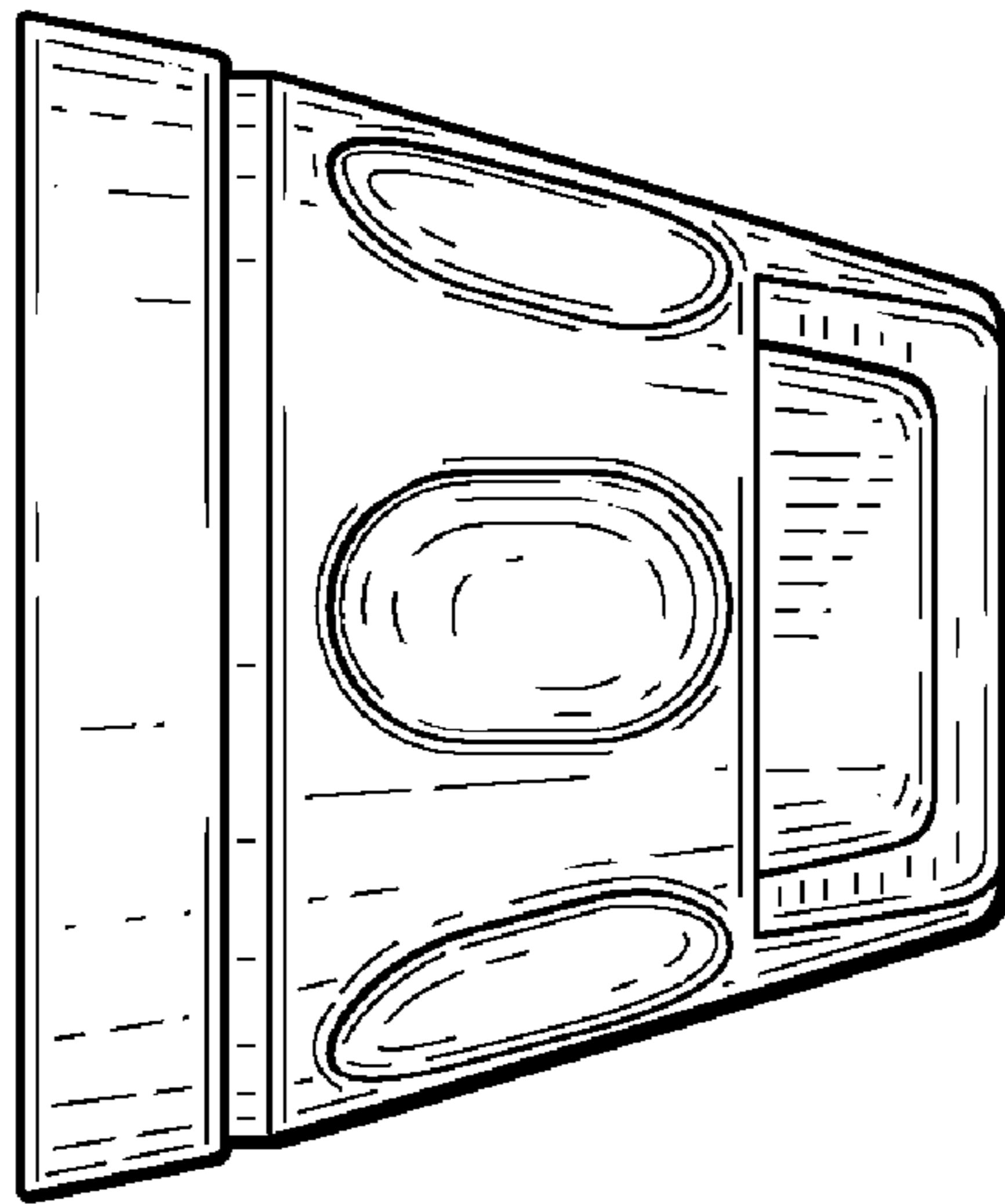


FIG. 4

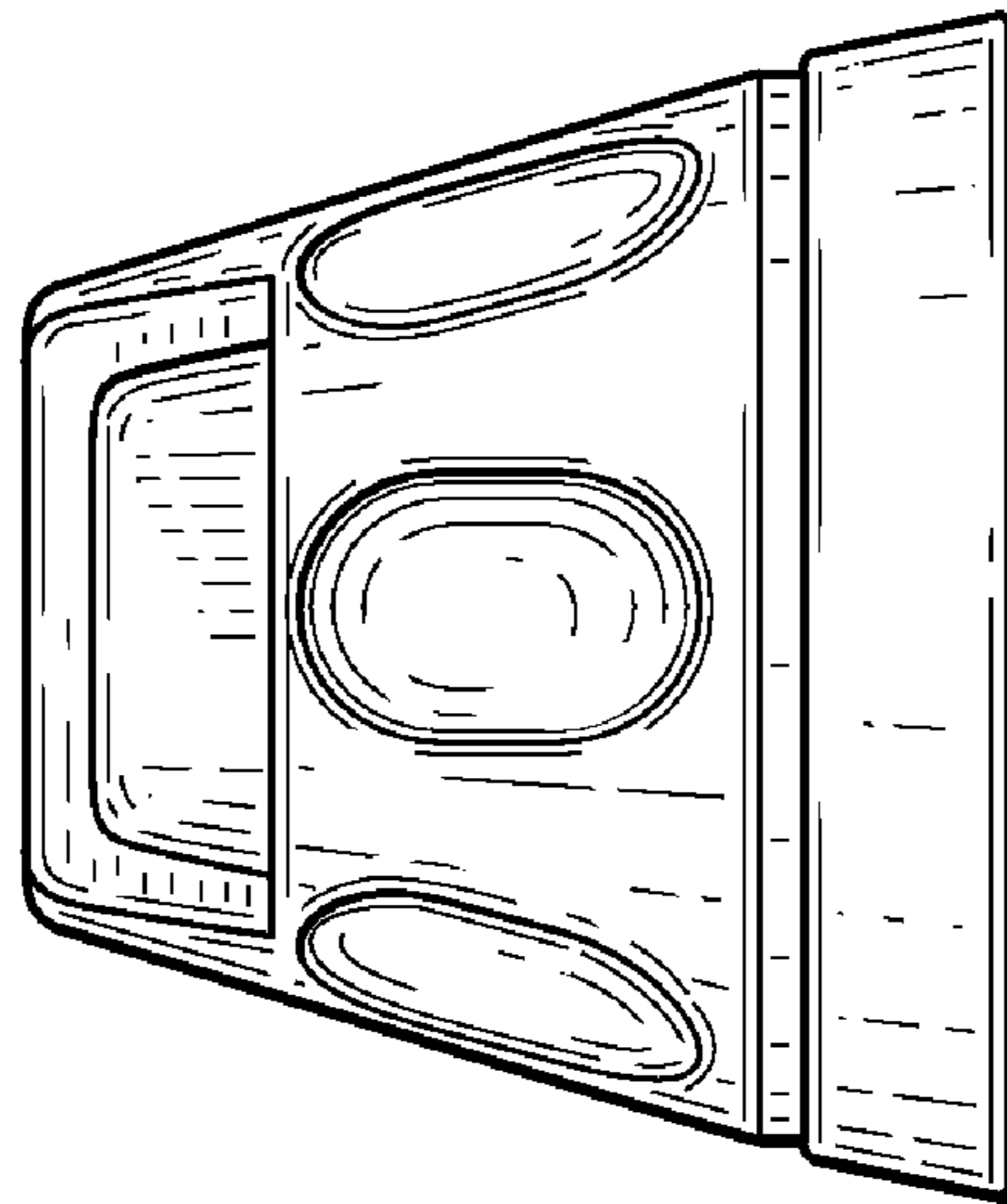


FIG. 5

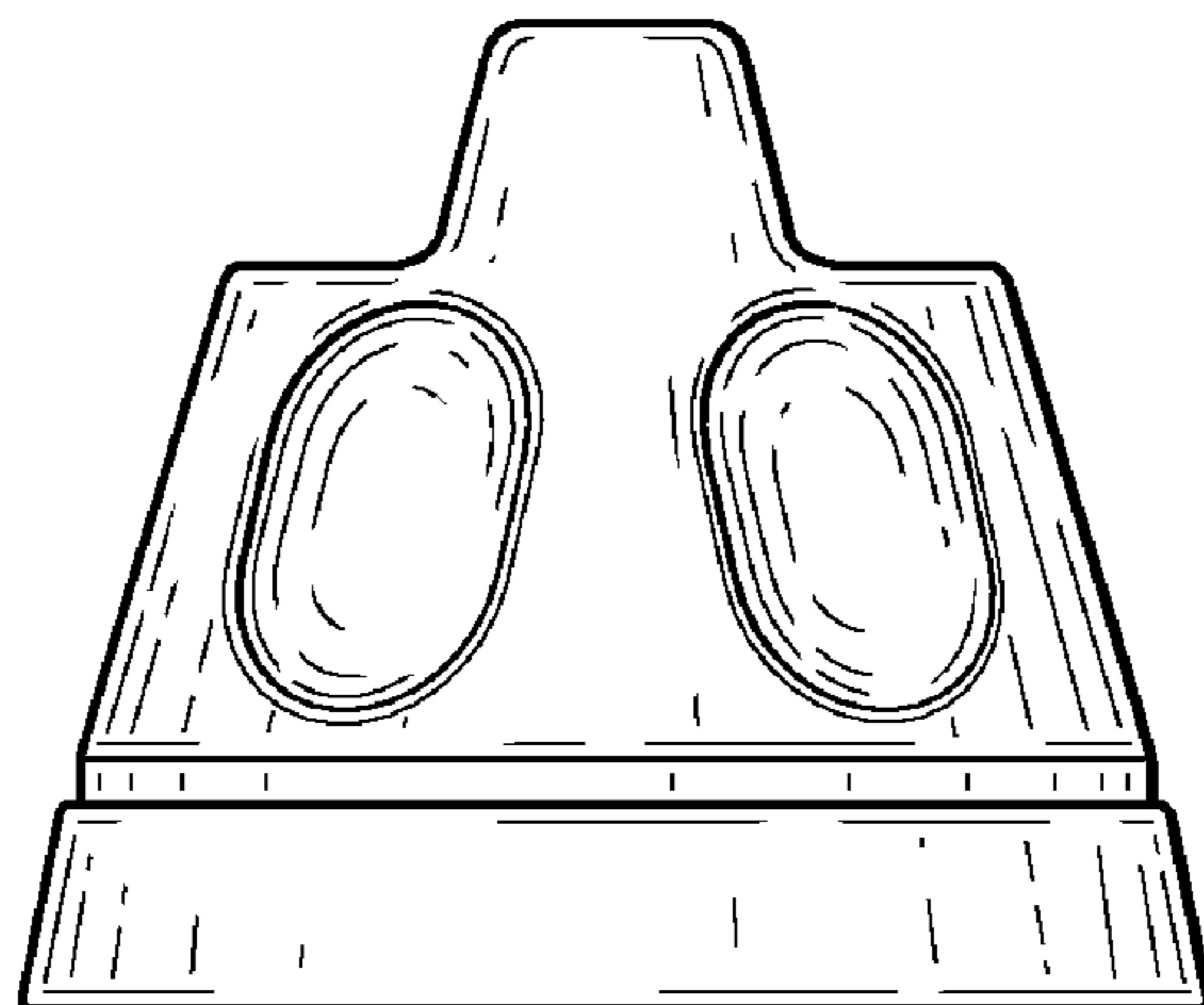


FIG. 6

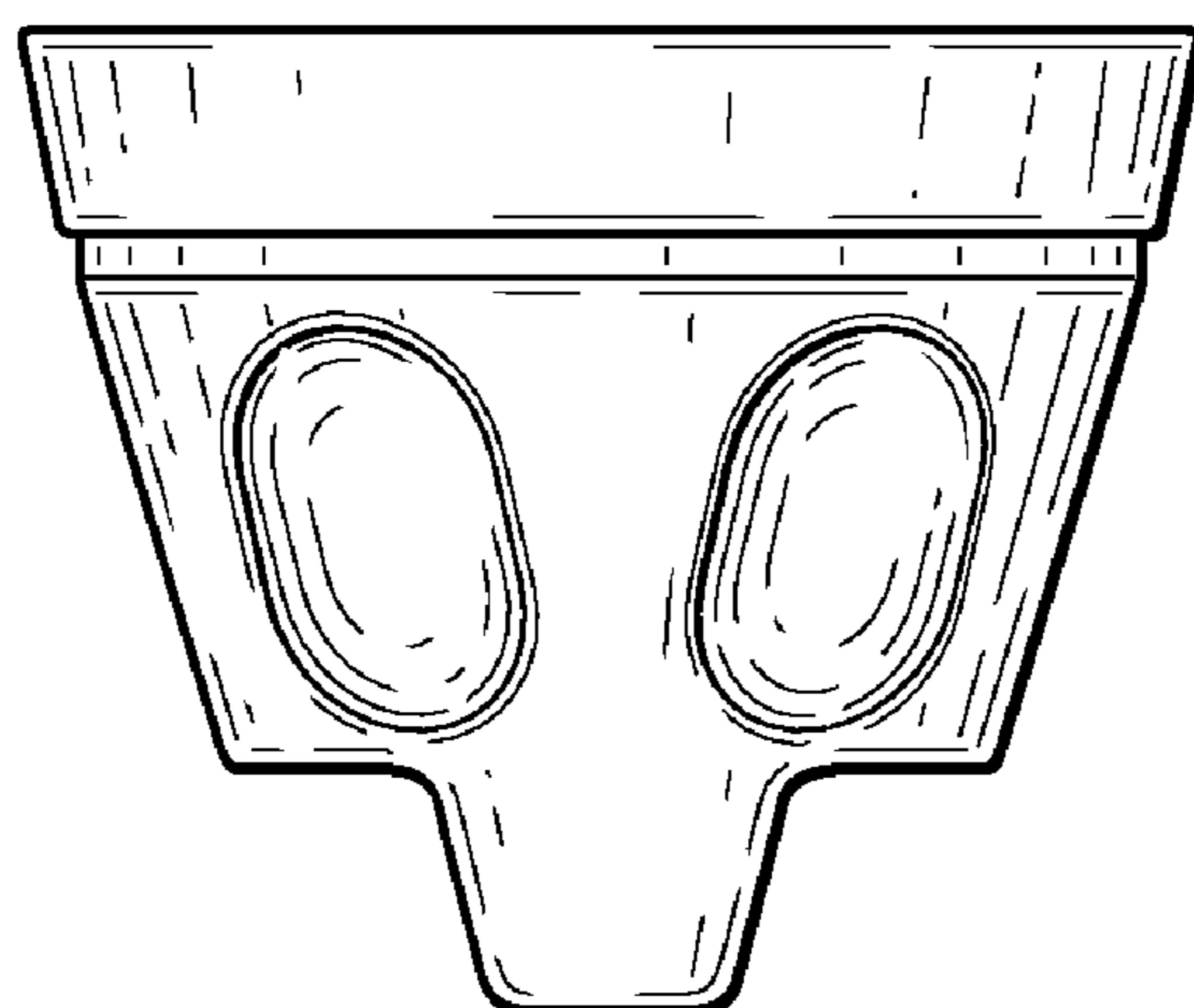


FIG. 7