



US00D587555S

(12) **United States Design Patent**  
**Krumpe et al.**

(10) **Patent No.:** **US D587,555 S**

(45) **Date of Patent:** **\*\* Mar. 3, 2009**

(54) **KNOB**

(75) Inventors: **Geraint Krumpe**, Chicago, IL (US);  
**Terry Starbuck**, Pilot Mtn., NC (US)

(73) Assignee: **Liberty Hardware Mfg. Corp.**,  
Winston-Salem, NC (US)

(\*\*) Term: **14 Years**

(21) Appl. No.: **29/293,282**

(22) Filed: **Nov. 14, 2007**

(51) **LOC (9) Cl.** ..... **08-06**

(52) **U.S. Cl.** ..... **D8/310; D8/305; D8/307**

(58) **Field of Classification Search** ..... D8/305,  
D8/307, 310, DIG. 2, DIG. 1, 312, 352; D11/90,  
D11/95, 222; D23/250, 252; 16/110.1, 412,  
16/414, 444, 443, 441, 445; 292/336.3, 347,  
292/356, 357; 63/26

See application file for complete search history.

(56) **References Cited**

**U.S. PATENT DOCUMENTS**

D21,769 S *	8/1892	Christensen	.....	D8/305
D86,543 S *	3/1932	Shadlowsky	.....	D11/222
D90,655 S *	9/1933	Haas	.....	D11/222
D138,870 S *	9/1944	Drell	.....	D11/222
D138,874 S *	9/1944	Drell	.....	D11/222
D188,509 S *	8/1960	Clayton	.....	D8/310

D192,179 S *	2/1962	Aleks	.....	D8/310
D197,960 S *	4/1964	Heyer	.....	D8/307
D199,180 S *	9/1964	Clayton	.....	D8/310
D204,977 S *	6/1966	Loeb	.....	D8/310
D206,521 S *	12/1966	Bottom	.....	D8/310
D208,478 S *	9/1967	Nidetch	.....	D11/95
D246,091 S *	10/1977	James	.....	D8/310
D411,795 S *	7/1999	O'Neil	.....	D8/307
D445,016 S *	7/2001	Dewald et al.	.....	D8/307
D471,073 S *	3/2003	Fields	.....	D8/310
D501,390 S *	2/2005	Fields	.....	D8/310
D530,593 S *	10/2006	Kosasih et al.	.....	D8/310
D541,130 S *	4/2007	Fields	.....	D8/310
D570,183 S *	6/2008	Hanes	.....	D8/305
D574,212 S *	8/2008	Jou	.....	D8/305

\* cited by examiner

*Primary Examiner*—Paula Greene

(74) *Attorney, Agent, or Firm*—Edgar A. Zarins

(57) **CLAIM**

The ornamental design for a knob, as shown and described.

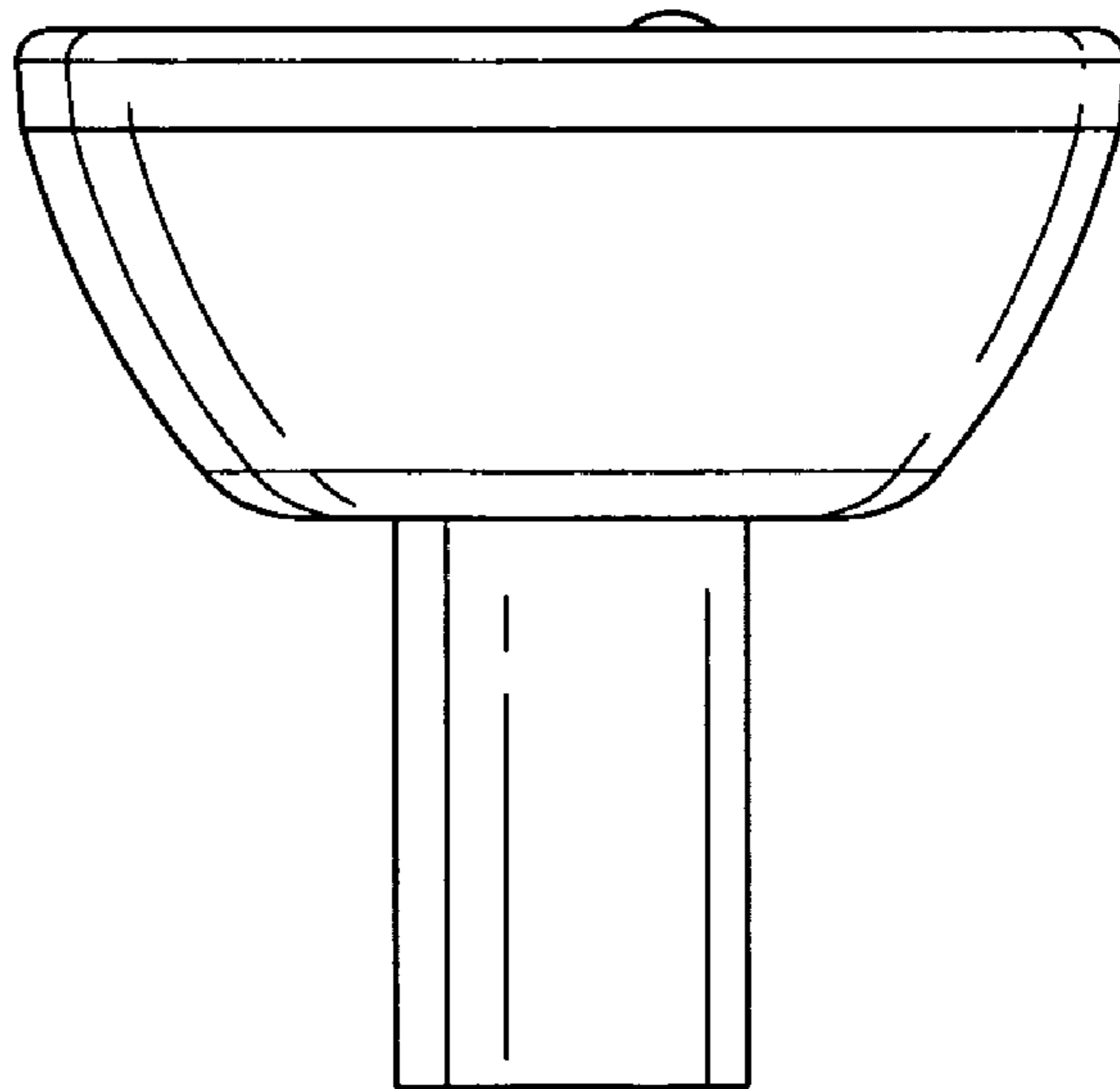
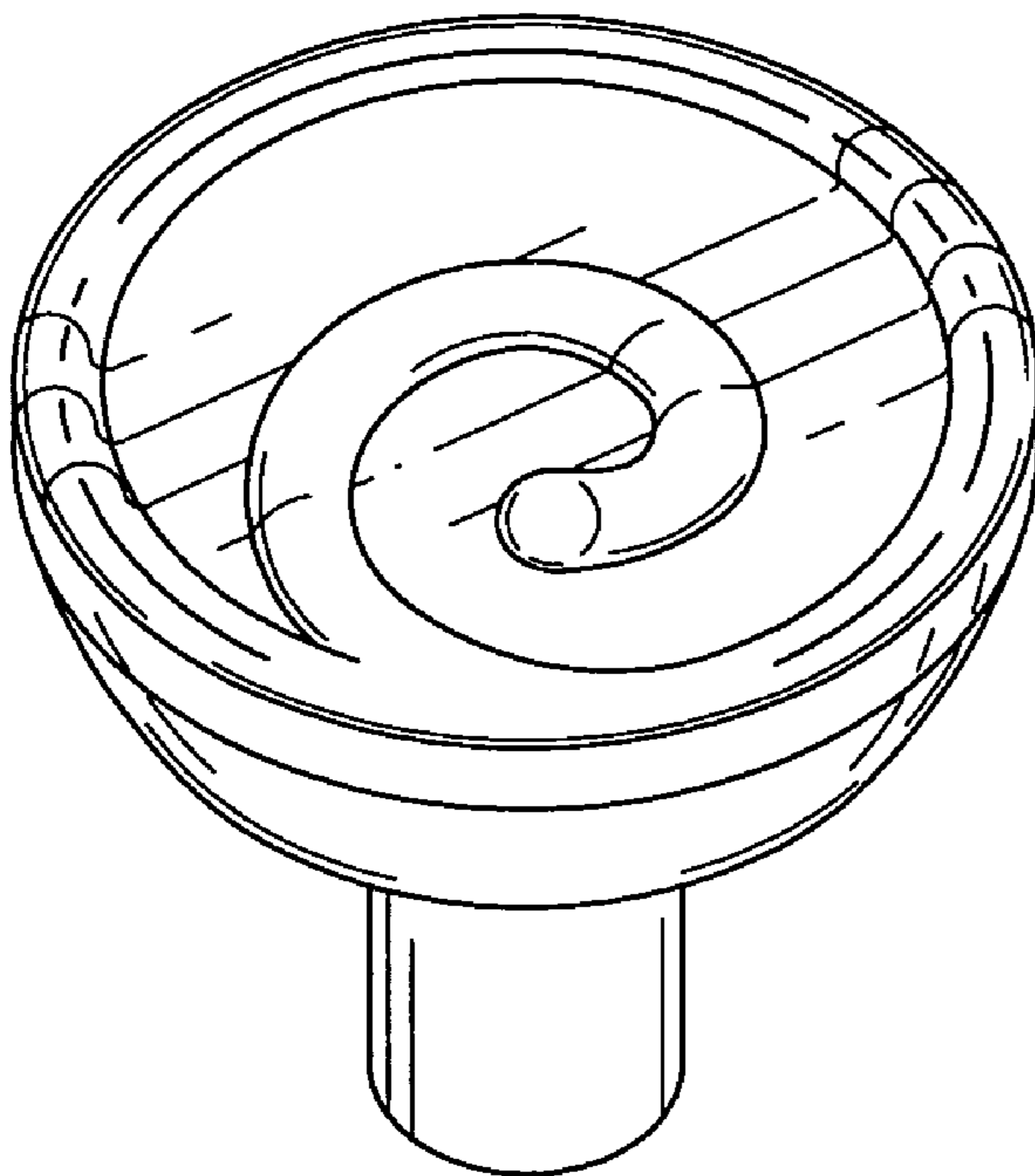
**DESCRIPTION**

FIG. 1 is a perspective view of a knob showing our new design;

FIG. 2 is a front elevational view thereof, the undisclosed bottom is not part of the claimed design; and,

FIG. 3 is a side view thereof.

**1 Claim, 1 Drawing Sheet**



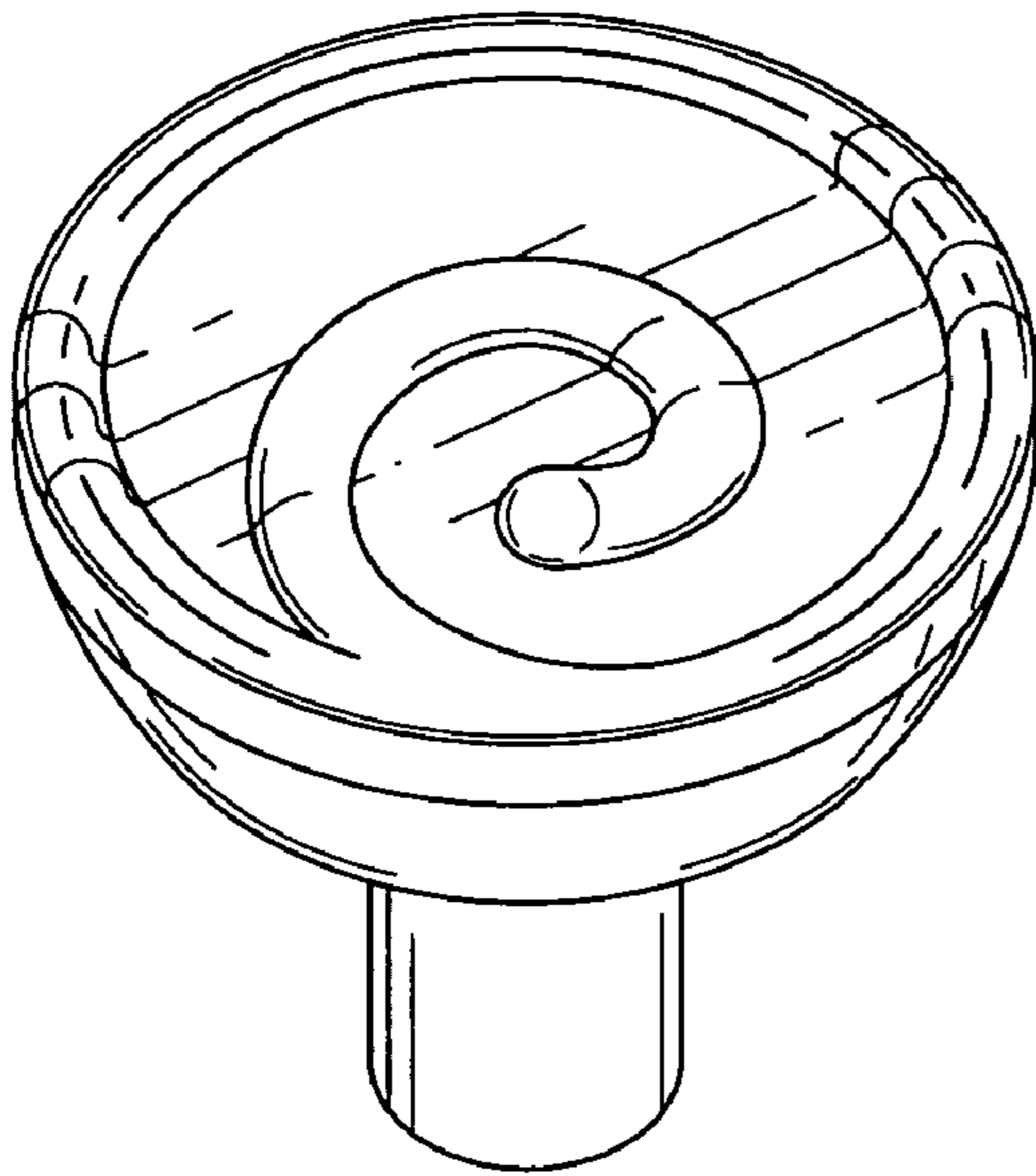


Fig-1

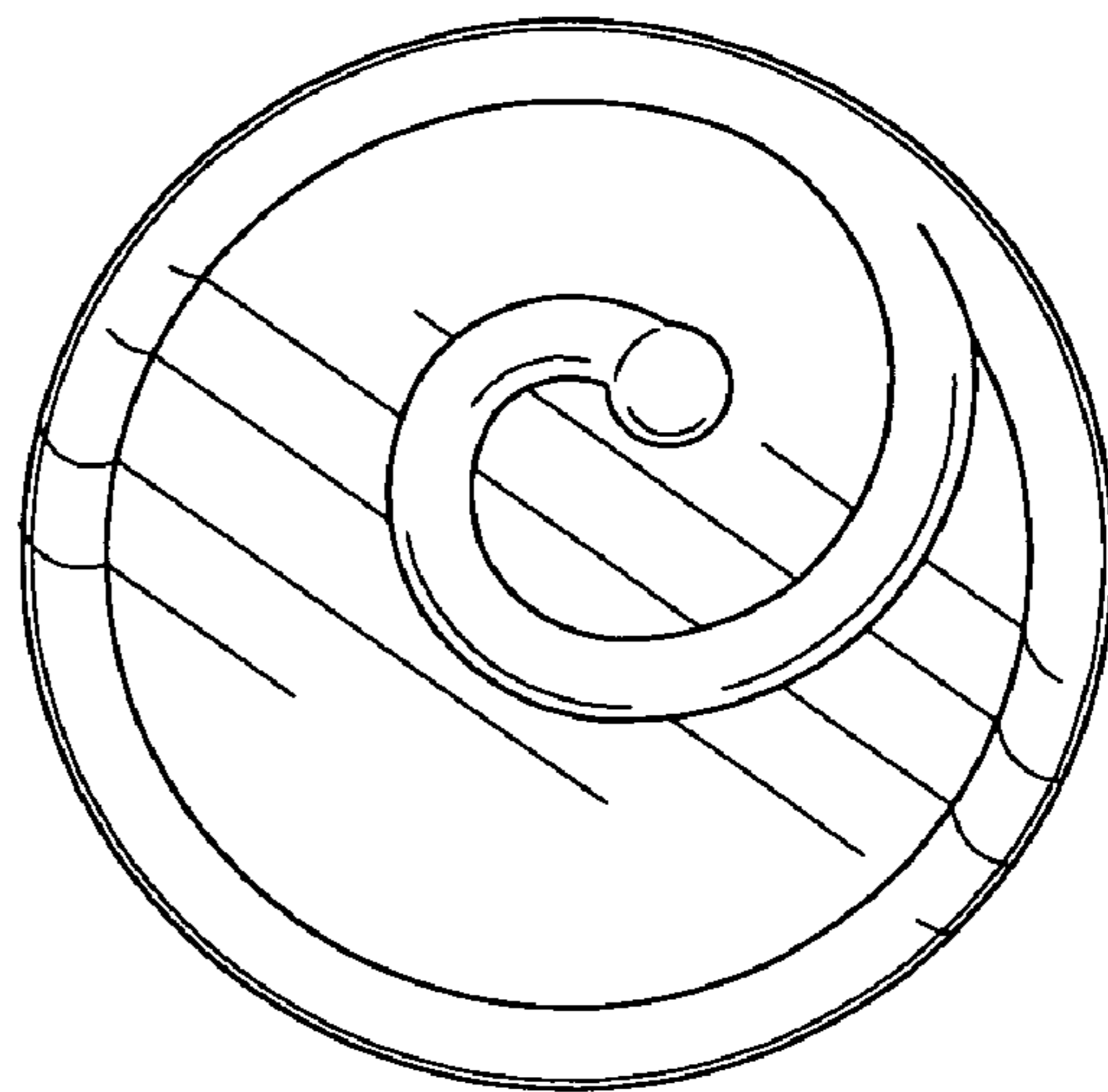


Fig-2

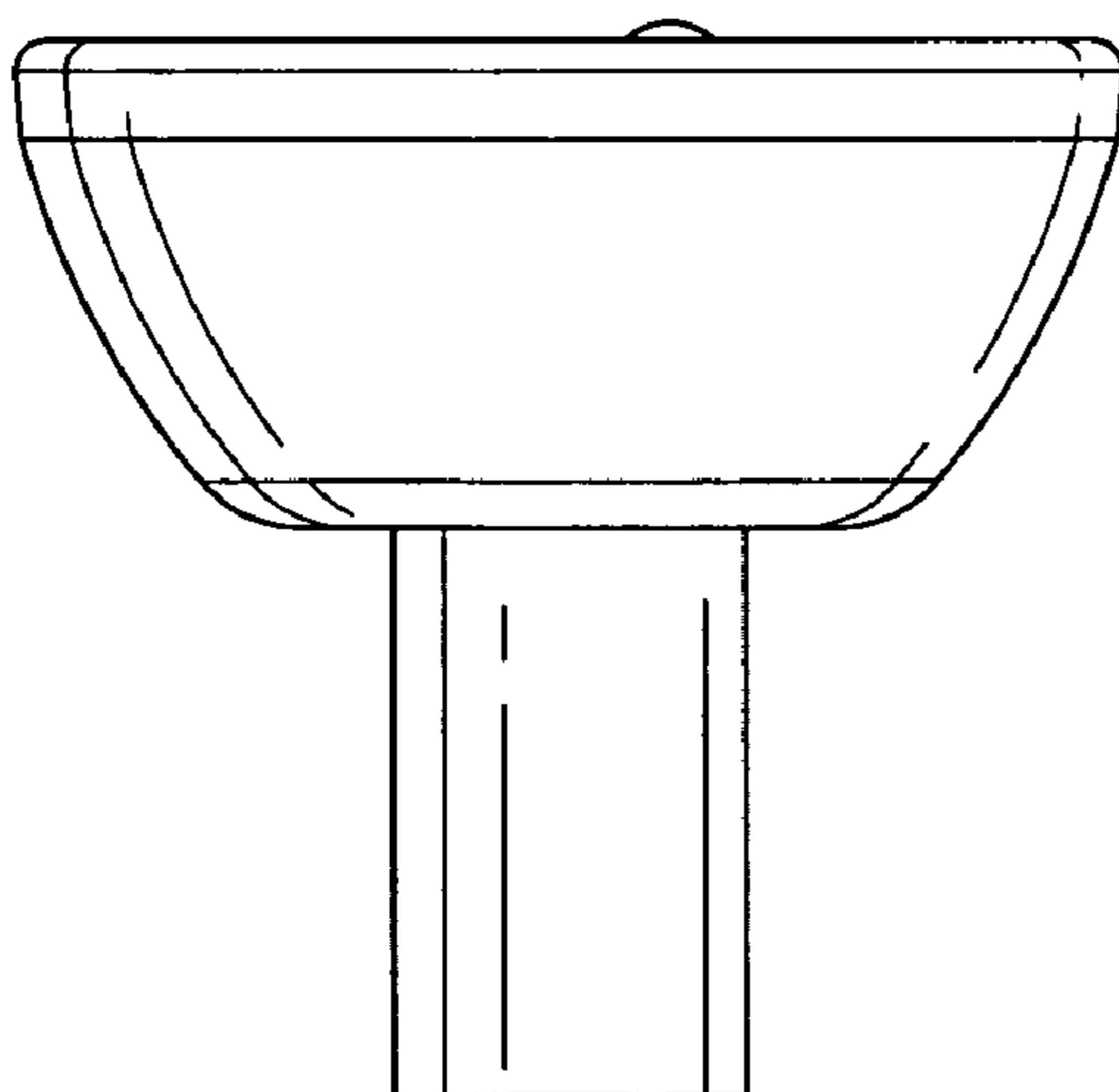


Fig-3