



US00D587552S

(12) **United States Design Patent**  
**Collard et al.**

(10) **Patent No.:** **US D587,552 S**  
(45) **Date of Patent:** **\*\* Mar. 3, 2009**

(54) **CUTTING TOOL**

(76) Inventors: **Glen Sheldon Gerald Collard**, 935  
Schaeffer Outlook, Newmarket, ON  
(CA) L3X 1V9; **Robert Michael  
Skinner**, 4151 Loyalist Drive,  
Mississauga, ON (CA) L5L 3W6

(\*\*) Term: **14 Years**

(21) Appl. No.: **29/303,302**

(22) Filed: **Feb. 6, 2008**

(51) **LOC (9) Cl.** ..... **08-03**

(52) **U.S. Cl.** ..... **D8/98**

(58) **Field of Classification Search** ..... D8/51,  
D8/14, 98, 99, 107; 30/280, 294, 305, 314,  
30/286, 289, 282

See application file for complete search history.

(56) **References Cited**

**U.S. PATENT DOCUMENTS**

3,673,687	A *	7/1972	Philips et al.	.....	30/294
D254,243	S *	2/1980	Florian et al.	.....	D8/98
D323,967	S *	2/1992	Talbot	.....	D8/98
5,737,842	A *	4/1998	Freedman	.....	30/280
D401,492	S *	11/1998	Joseph, Jr.	.....	D8/98
D470,030	S *	2/2003	Swier	.....	D8/98
D481,609	S *	11/2003	Perlmutter et al.	.....	D8/99
6,691,416	B2 *	2/2004	Yu Chen	.....	30/294

6,857,192	B1 *	2/2005	Summers et al.	.....	30/294
D540,647	S *	4/2007	Ireland	.....	D8/98
D574,210	S *	8/2008	Packard et al.	.....	D8/98
D575,613	S *	8/2008	Jennings	.....	D8/98

\* cited by examiner

*Primary Examiner*—Philip S Hyder

(57) **CLAIM**

The ornamental design for a cutting tool, as shown and described.

**DESCRIPTION**

FIG. 1 is a front, top, right side isometric view of a cutting tool;

FIG. 2 is a back, bottom, right side isometric view of the cutting tool of FIG. 1;

FIG. 3 is a left side elevation view of the cutting tool of FIG. 1;

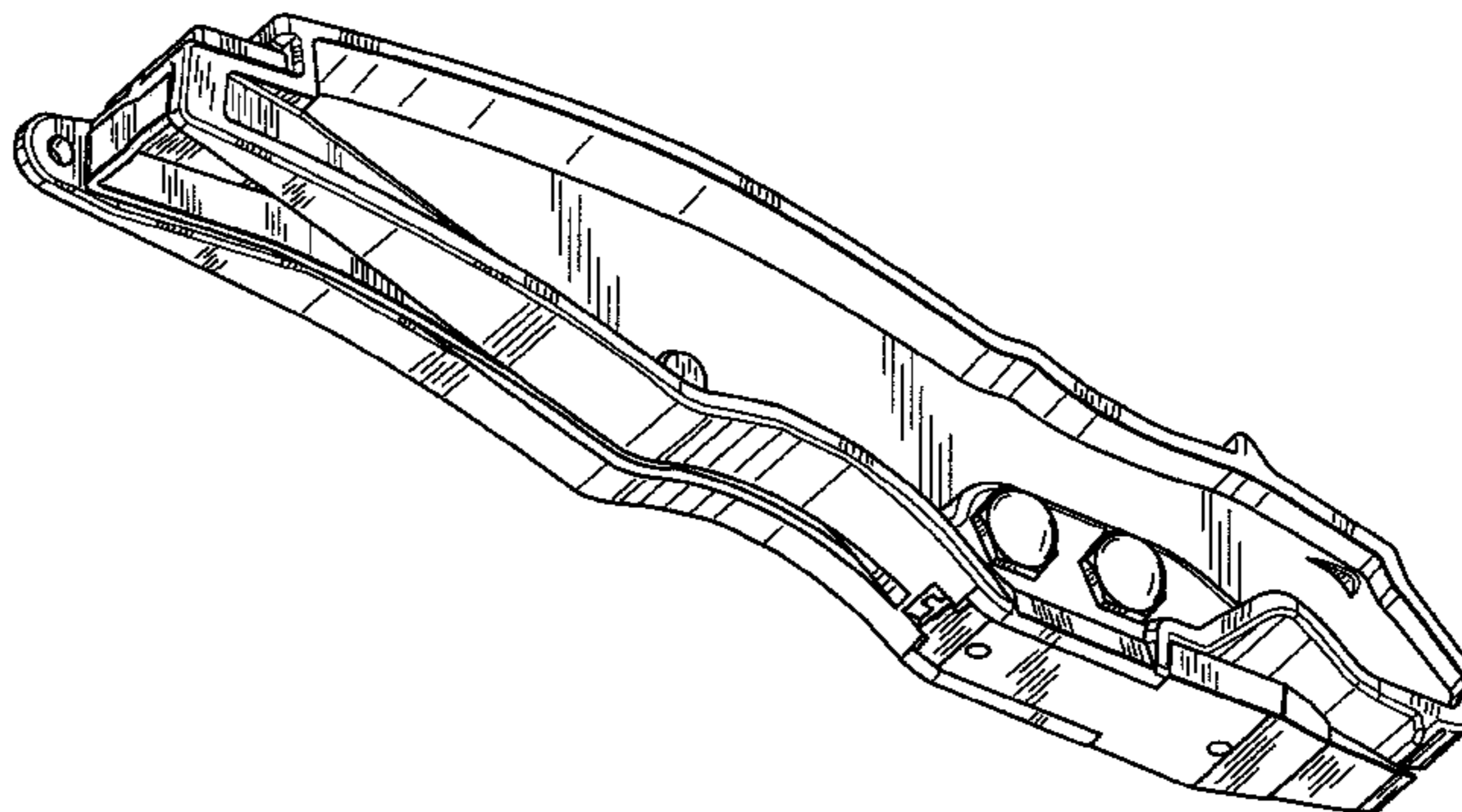
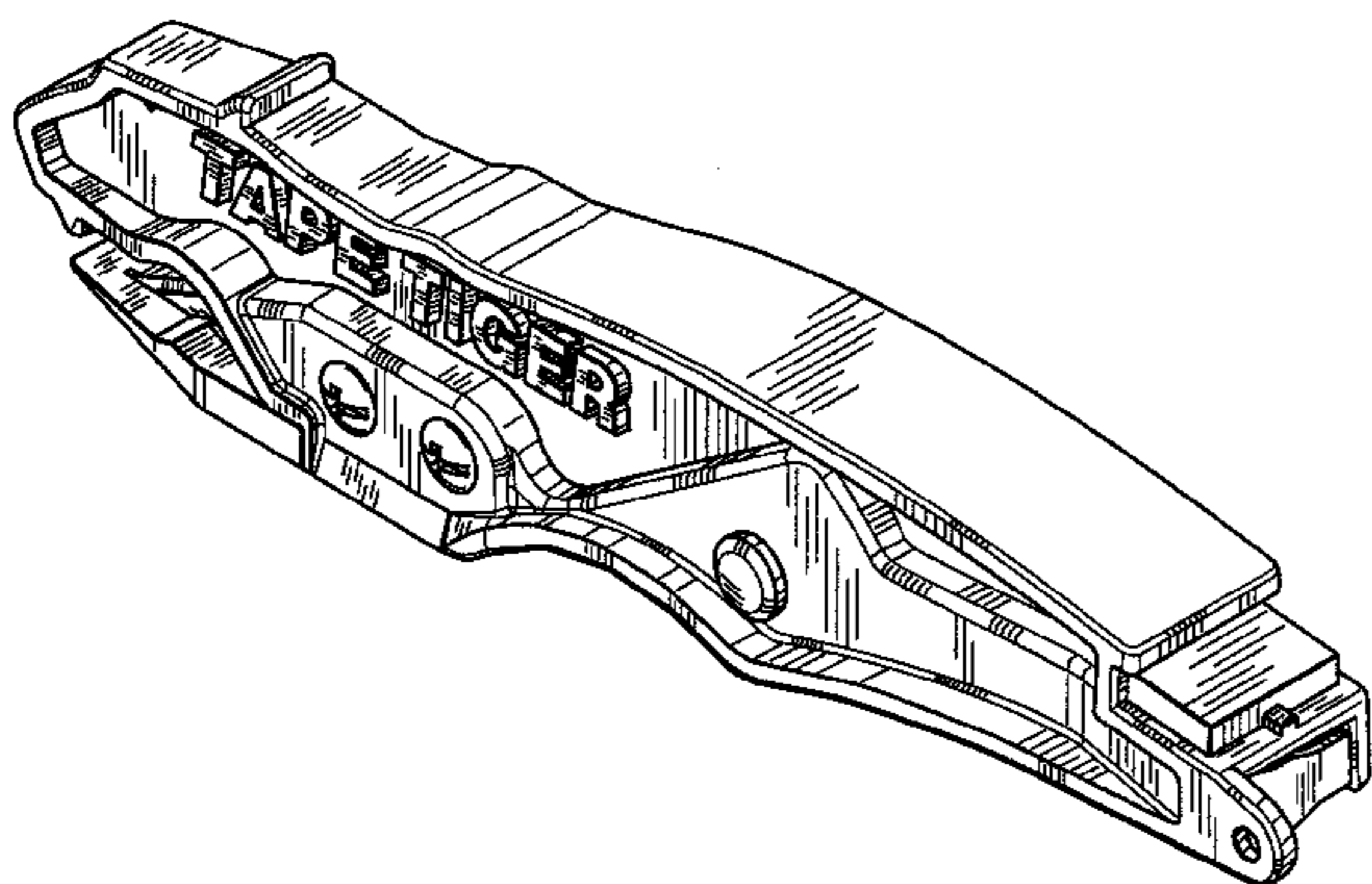
FIG. 4 is a front elevation view of the cutting tool of FIG. 1;

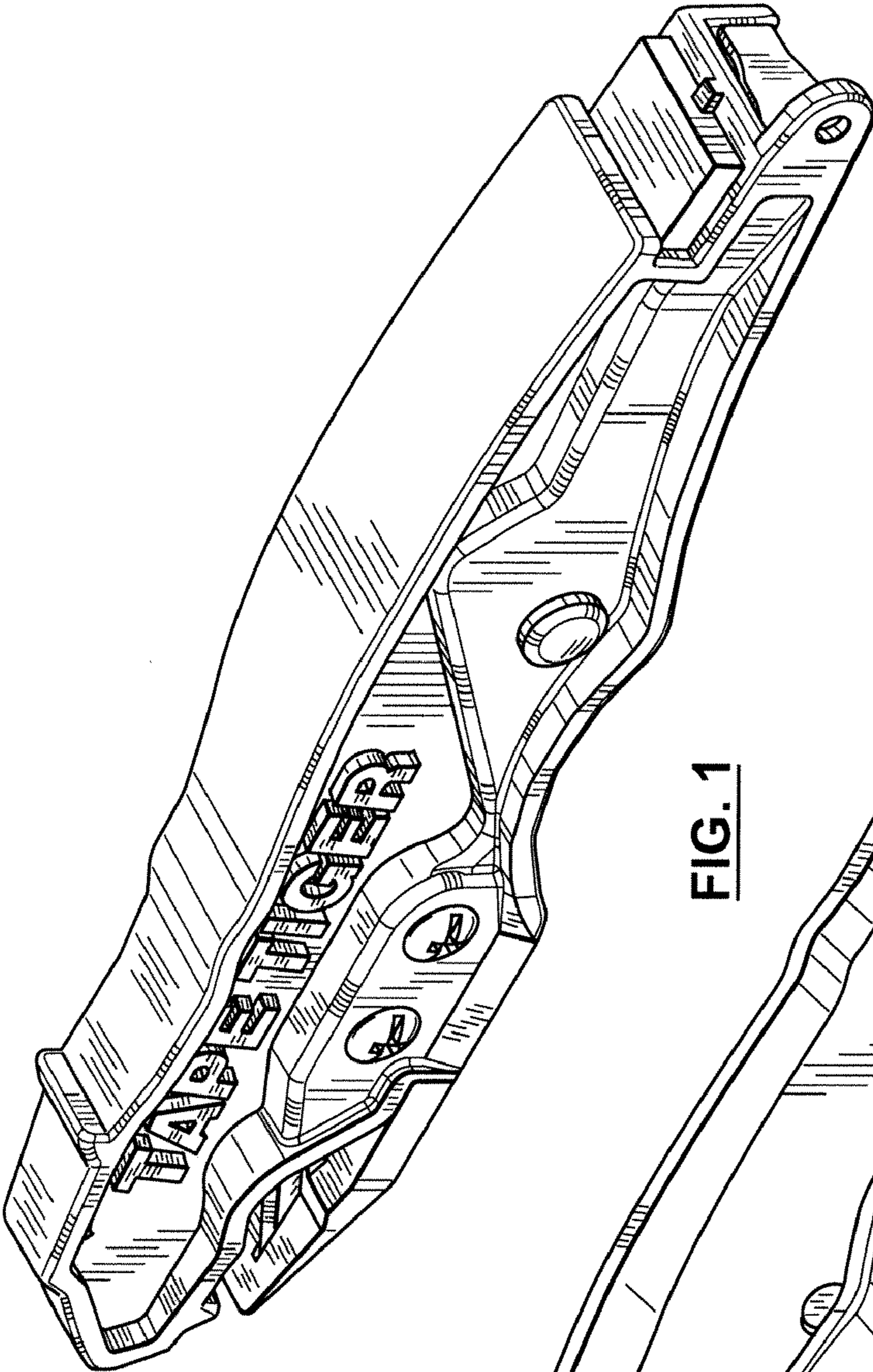
FIG. 5 is a right side elevation view of the cutting tool of FIG. 1;

FIG. 6 is a back elevation view of the cutting tool of FIG. 1;

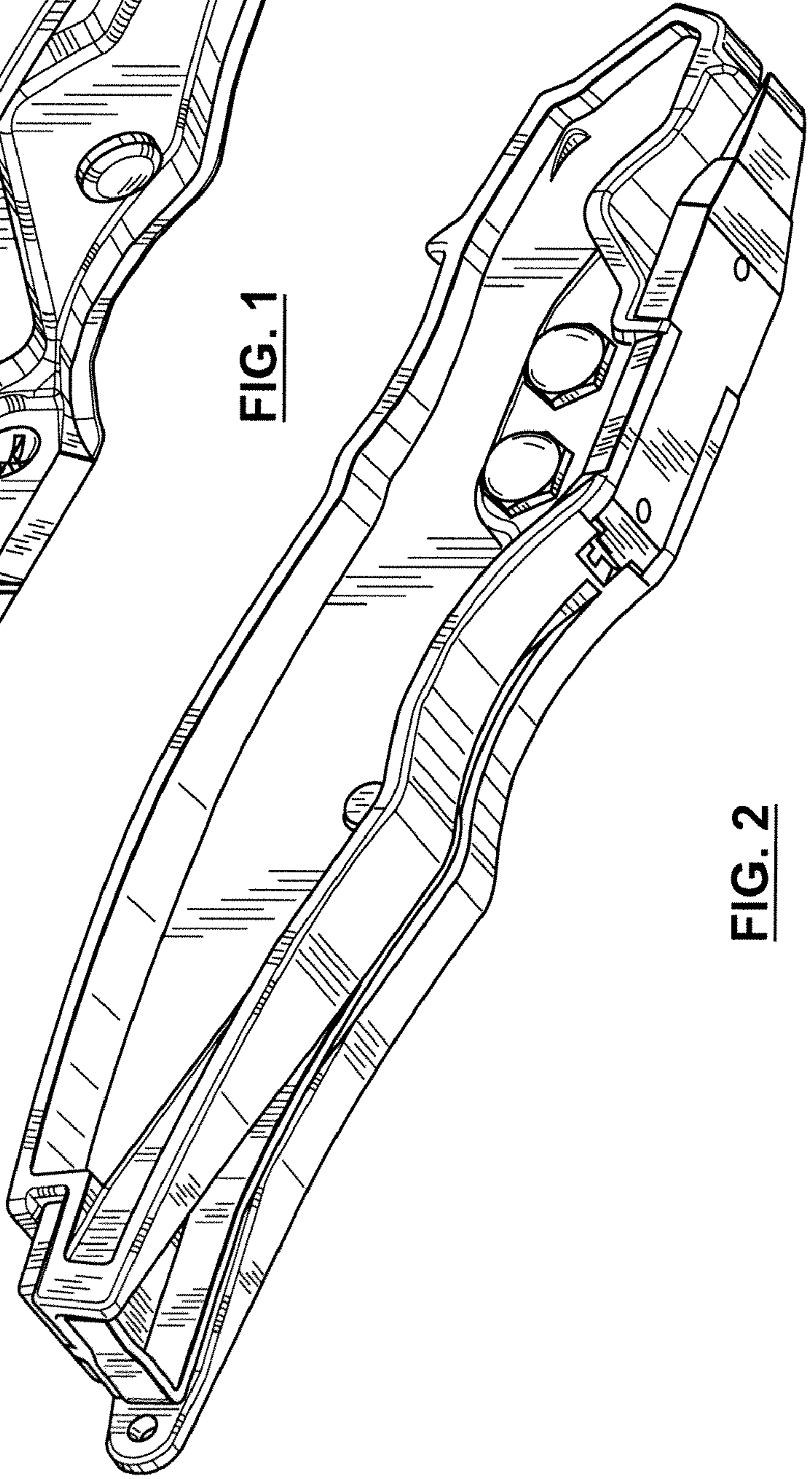
FIG. 7 is a top plan view of the cutting tool of FIG. 1; and,  
FIG. 8 is a bottom plan view of the cutting tool of FIG. 1.

**1 Claim, 3 Drawing Sheets**



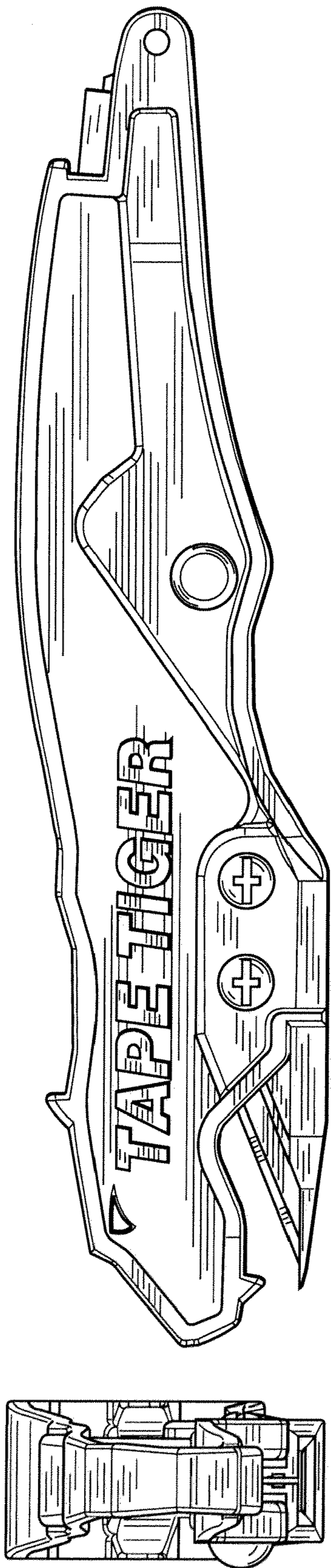


**FIG. 1**

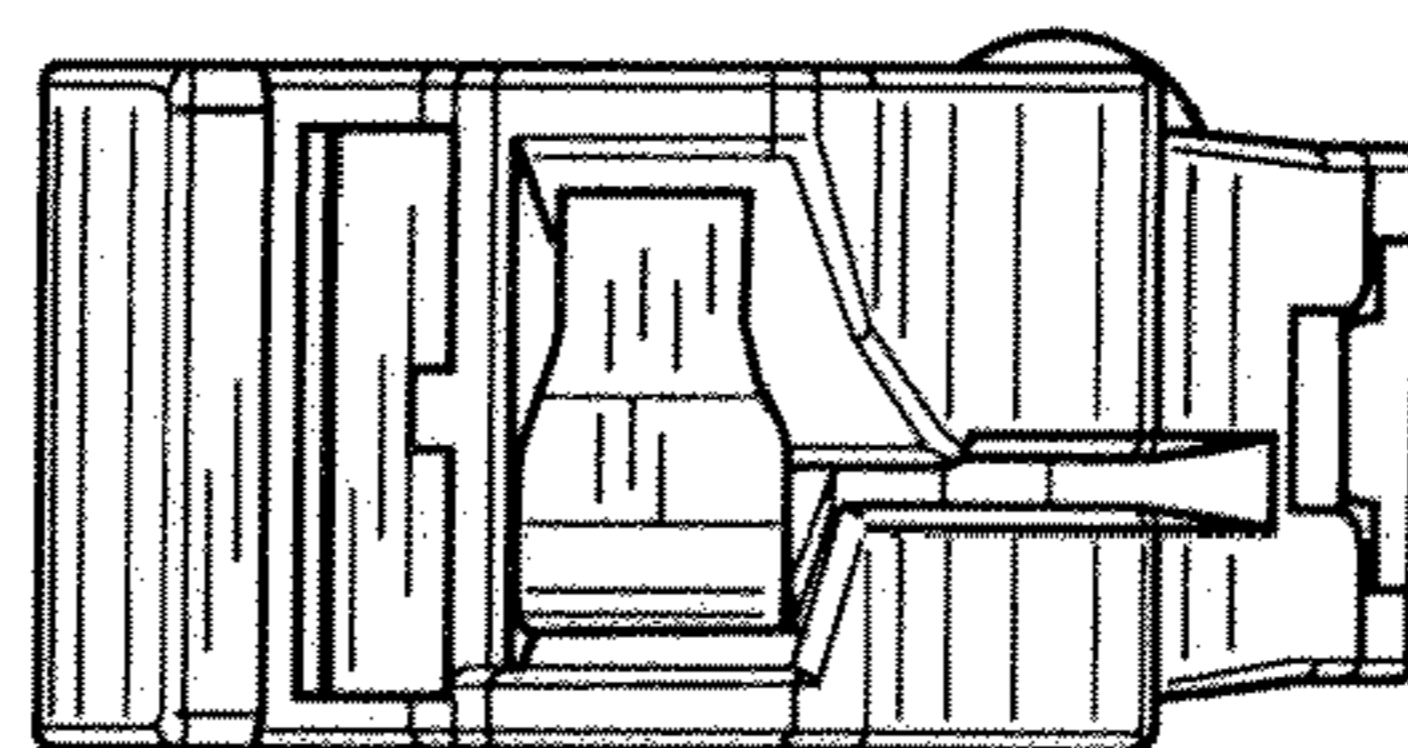


**FIG. 2**



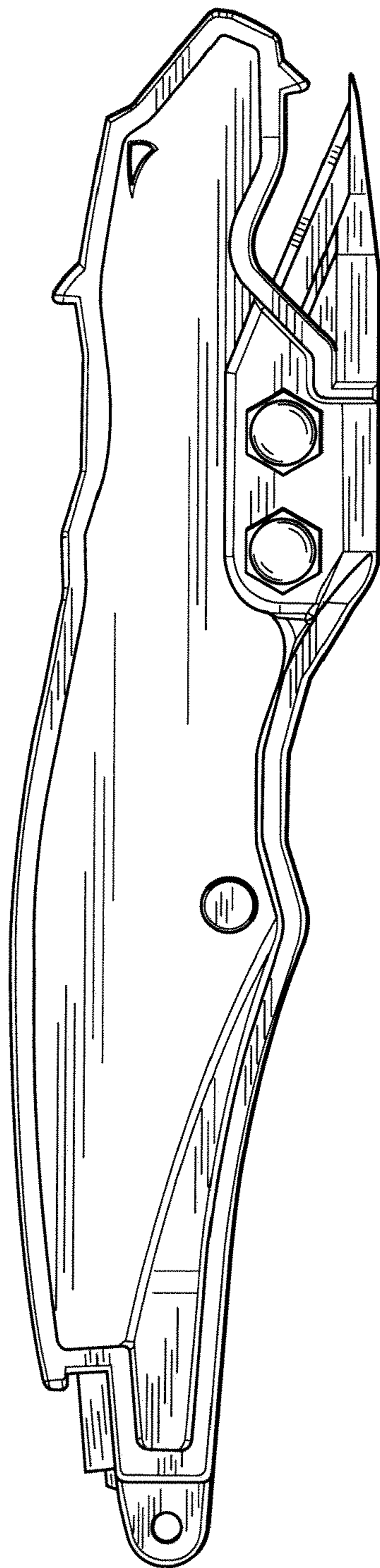


**FIG. 3**

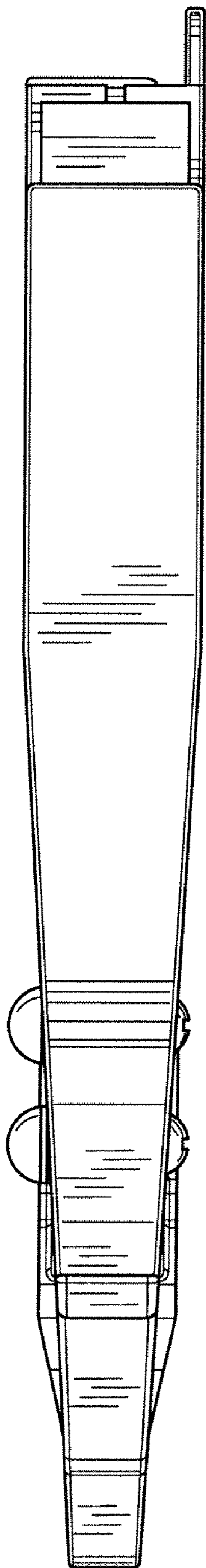


**FIG. 5**

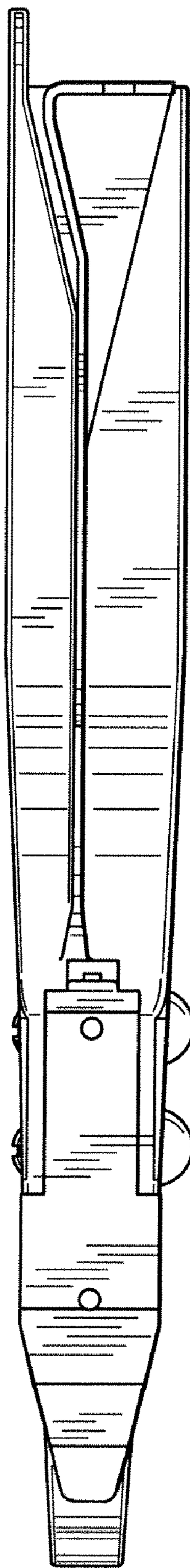
**FIG. 4**



**FIG. 6**



**FIG. 7**



**FIG. 8**