



US00D587547S

(12) **United States Design Patent**  
**Aglassinger**

(10) **Patent No.:** **US D587,547 S**  
(45) **Date of Patent:** **\*\* Mar. 3, 2009**

(54) **CORDLESS ROTARY HAMMER**  
(75) Inventor: **Hans-Peter Aglassinger**, Esslingen (DE)  
(73) Assignee: **Robert Bosch GmbH**, Stuttgart (DE)  
(\*\*) Term: **14 Years**  
(21) Appl. No.: **29/319,030**  
(22) Filed: **Jun. 3, 2008**

(51) **LOC (9) Cl.** ..... **08-01**  
(52) **U.S. Cl.** ..... **D8/69**  
(58) **Field of Classification Search** ..... D8/61-70;  
81/57.11, 429, 454-456, 469, 489; 173/13,  
173/104, 114, 167-173, 178, 201, 211, 213,  
173/217, 198; 227/8, 113, 114, 120, 130,  
227/136, 142; 310/50; 408/20, 124, 125,  
408/234, 241 R, 58, 67; 451/358  
See application file for complete search history.

(56) **References Cited**  
U.S. PATENT DOCUMENTS  
D442,452 S \* 5/2001 Stirm et al. .... D8/69  
D502,377 S \* 3/2005 Aglassinger ..... D8/69  
D535,537 S \* 1/2007 Aglassinger ..... D8/69

7,182,150 B2 \* 2/2007 Grossman ..... 173/171  
D543,082 S \* 5/2007 Stirm ..... D8/69  
D577,559 S \* 9/2008 Ino ..... D8/69  
D581,235 S \* 11/2008 Aglassinger ..... D8/69

\* cited by examiner

*Primary Examiner*—Antoine D Davis  
(74) *Attorney, Agent, or Firm*—Victor A. Henzi

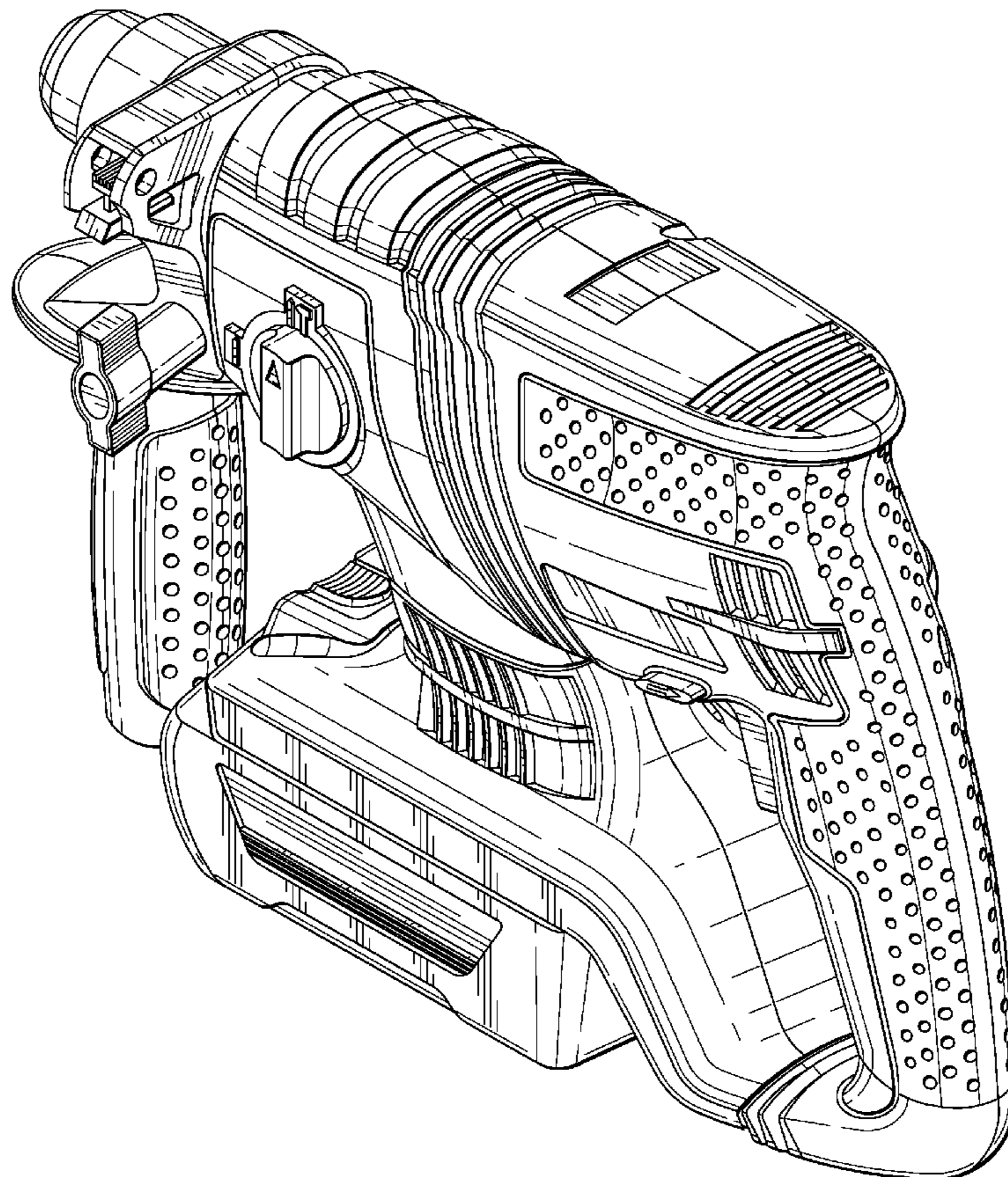
(57) **CLAIM**

The ornamental design for the cordless rotary hammer, as shown and described.

**DESCRIPTION**

FIG. 1 is a rear left perspective view of the cordless rotary hammer;  
FIG. 2 is a left elevational view thereof;  
FIG. 3 is a bottom plan view thereof;  
FIG. 4 is a right elevational view thereof;  
FIG. 5 is a top plan view thereof;  
FIG. 6 is a front elevational view thereof; and,  
FIG. 7 is a rear elevational view thereof.

**1 Claim, 6 Drawing Sheets**



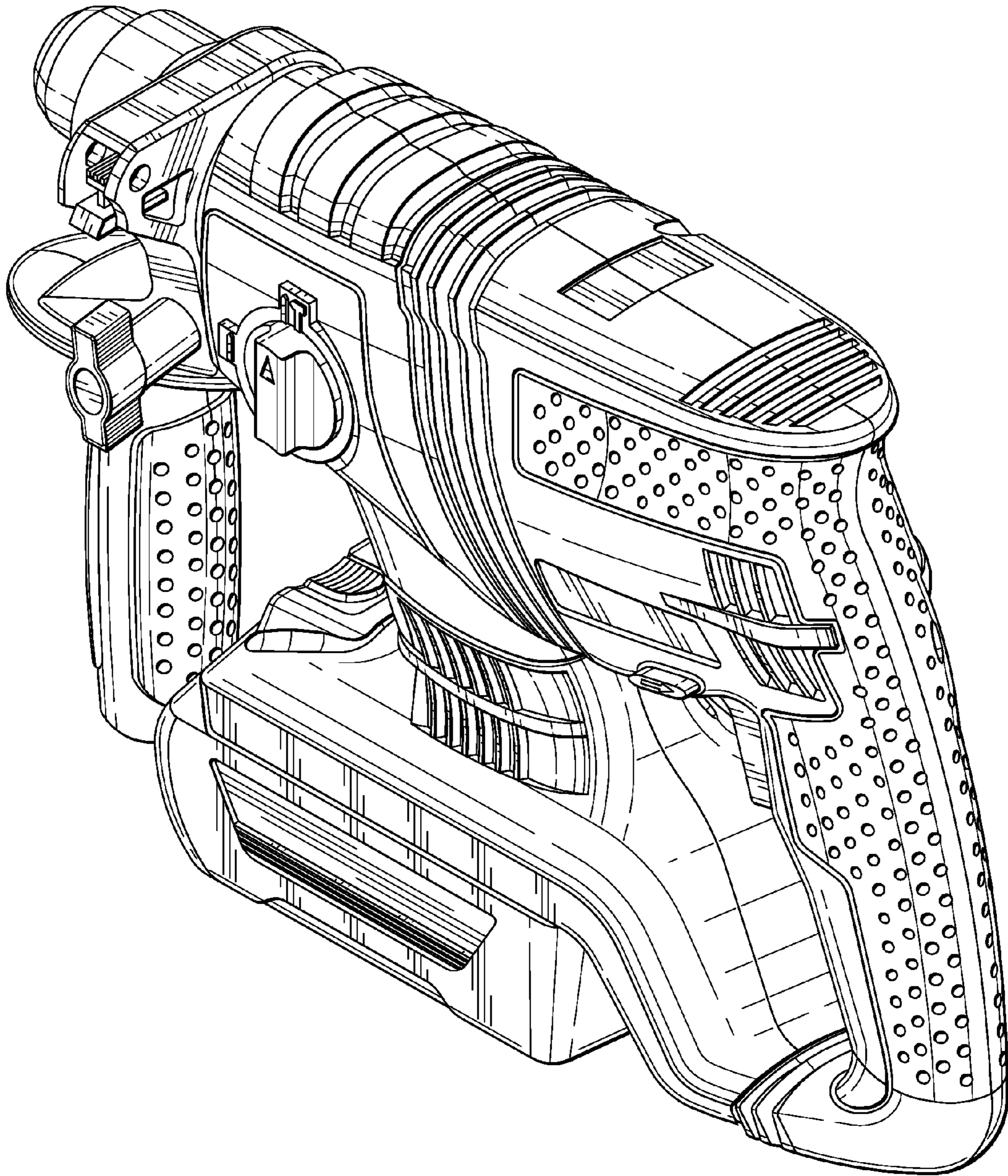


Fig. 1

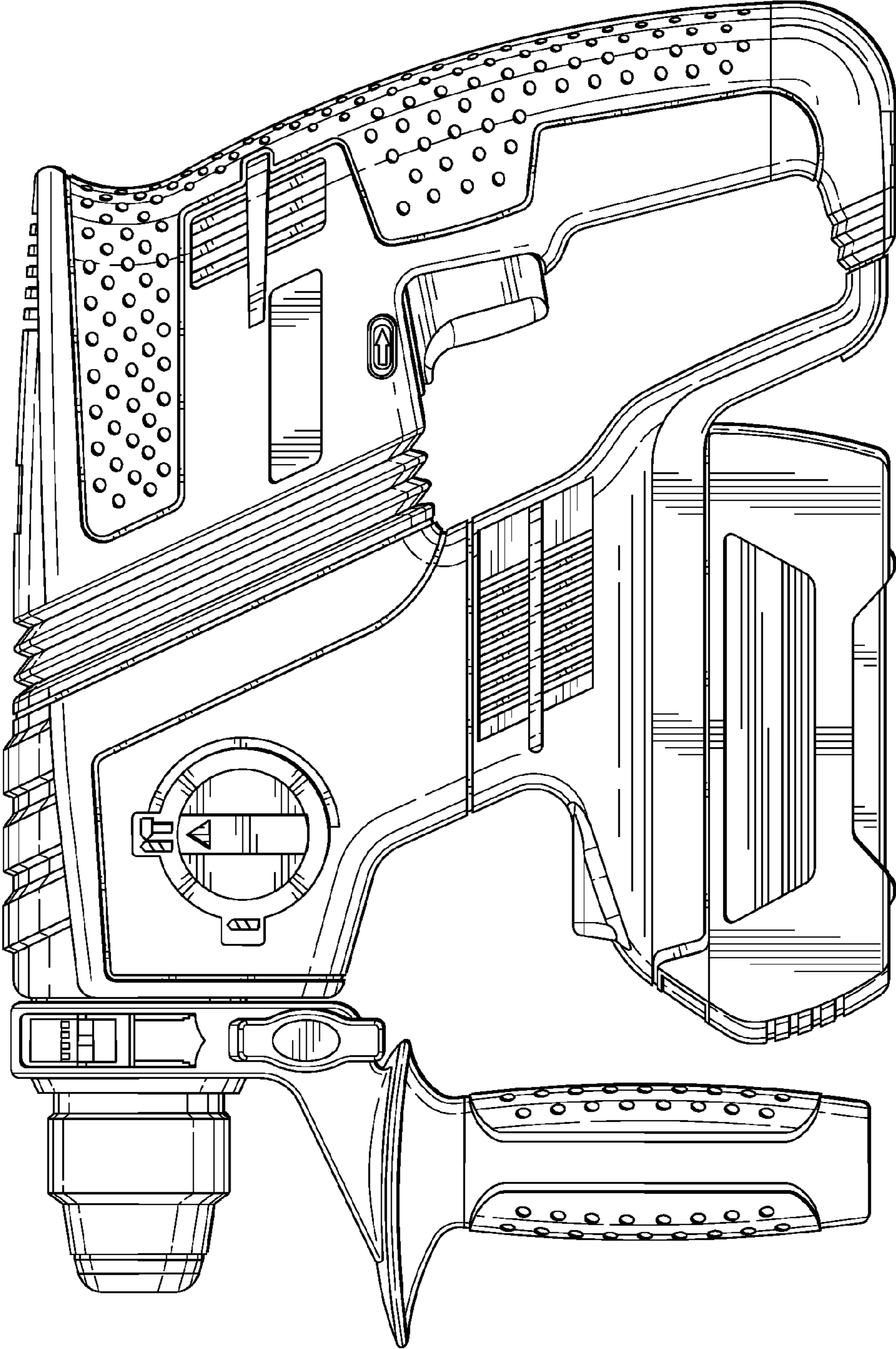


Fig. 2

Fig. 3

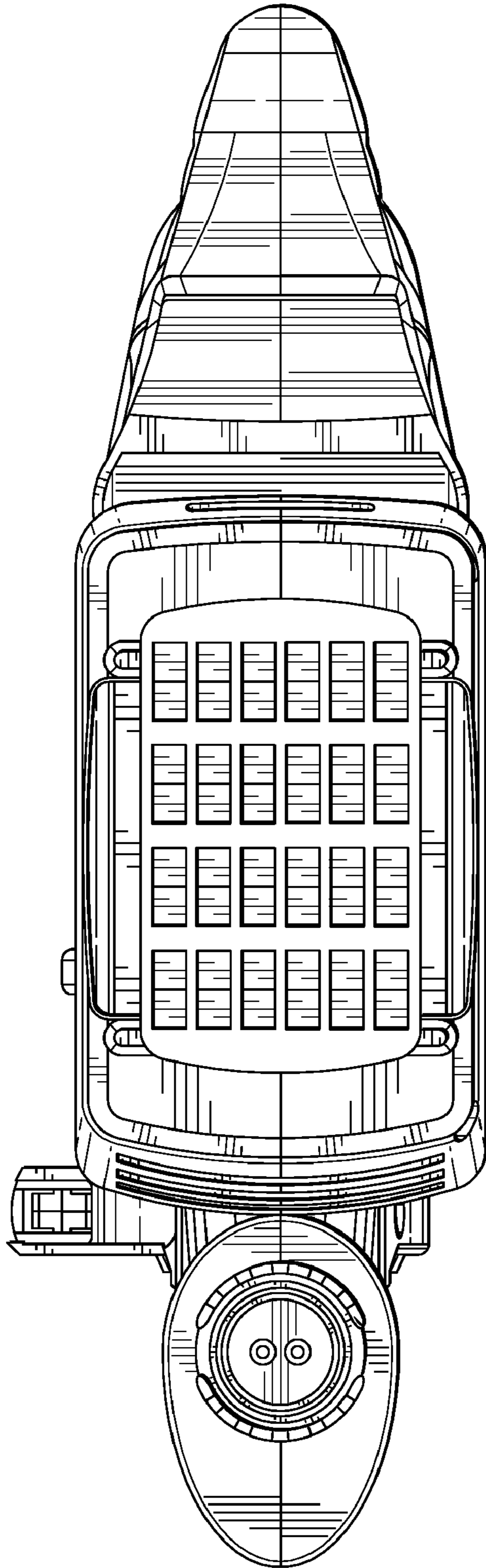


Fig. 4

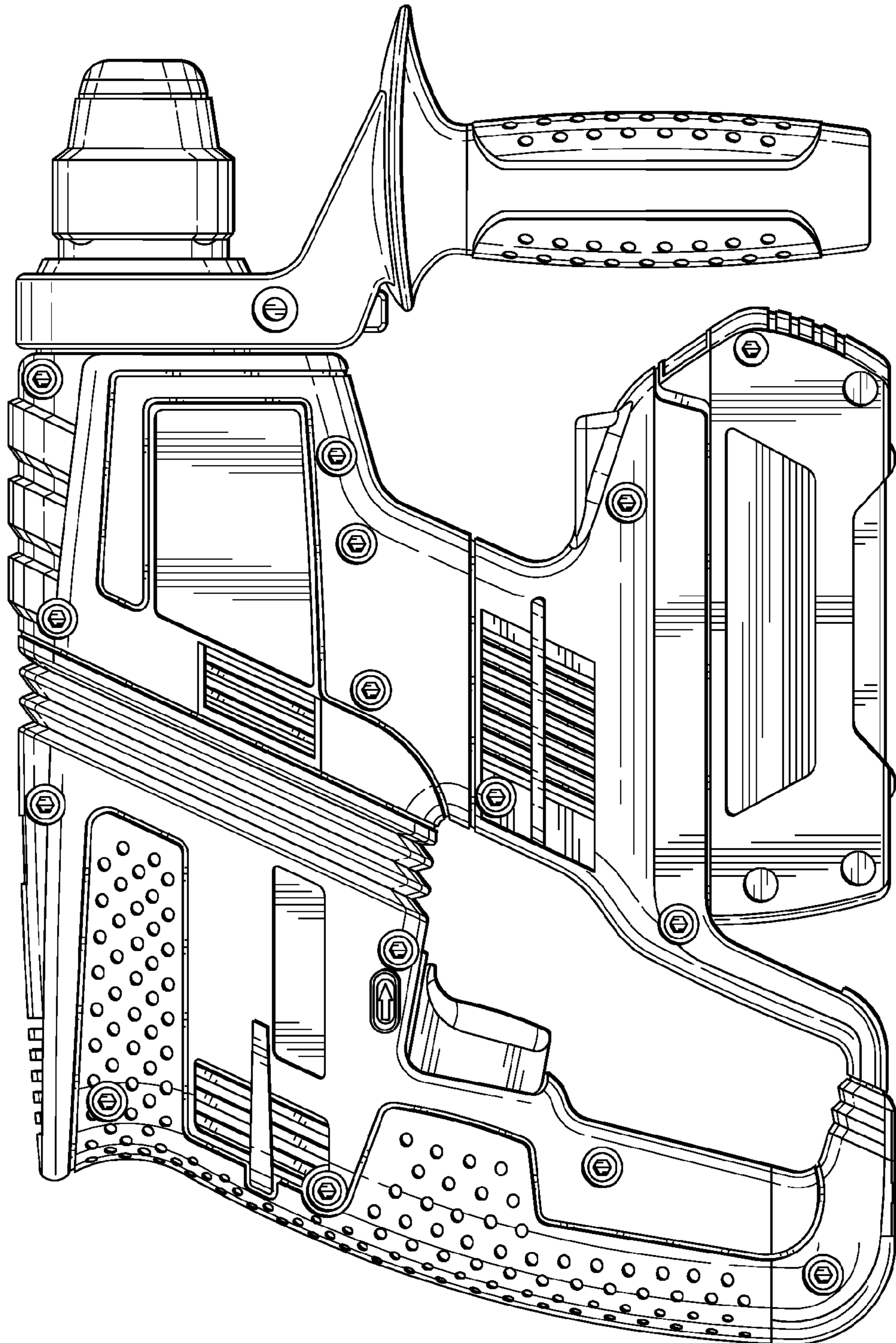
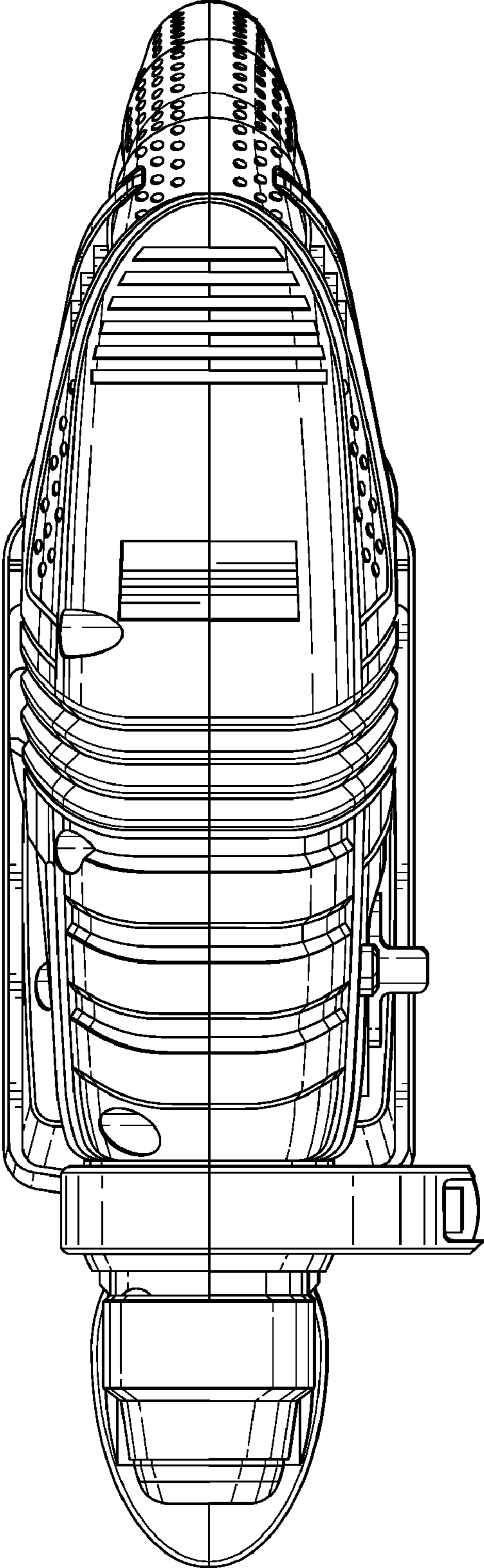


Fig. 5



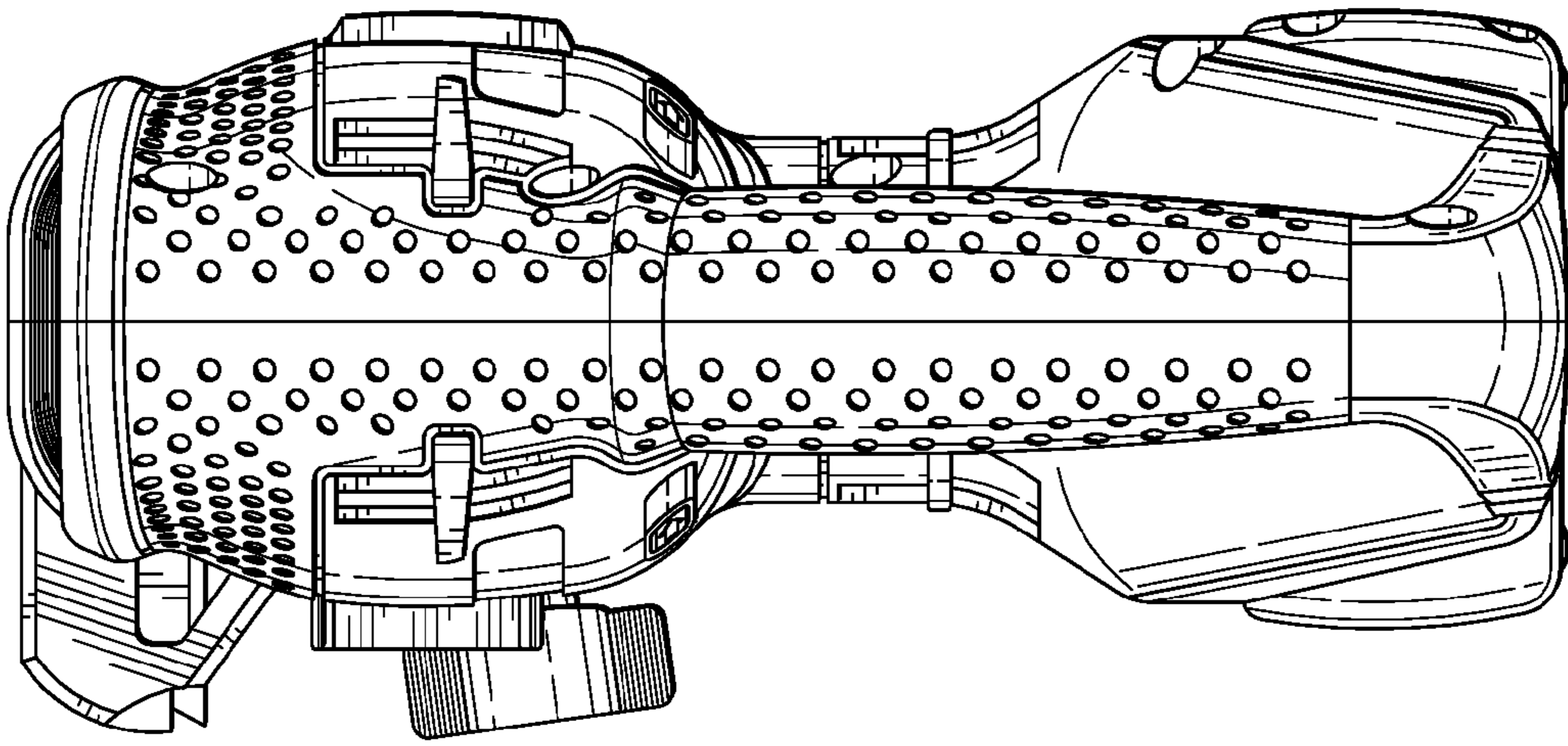


Fig. 6

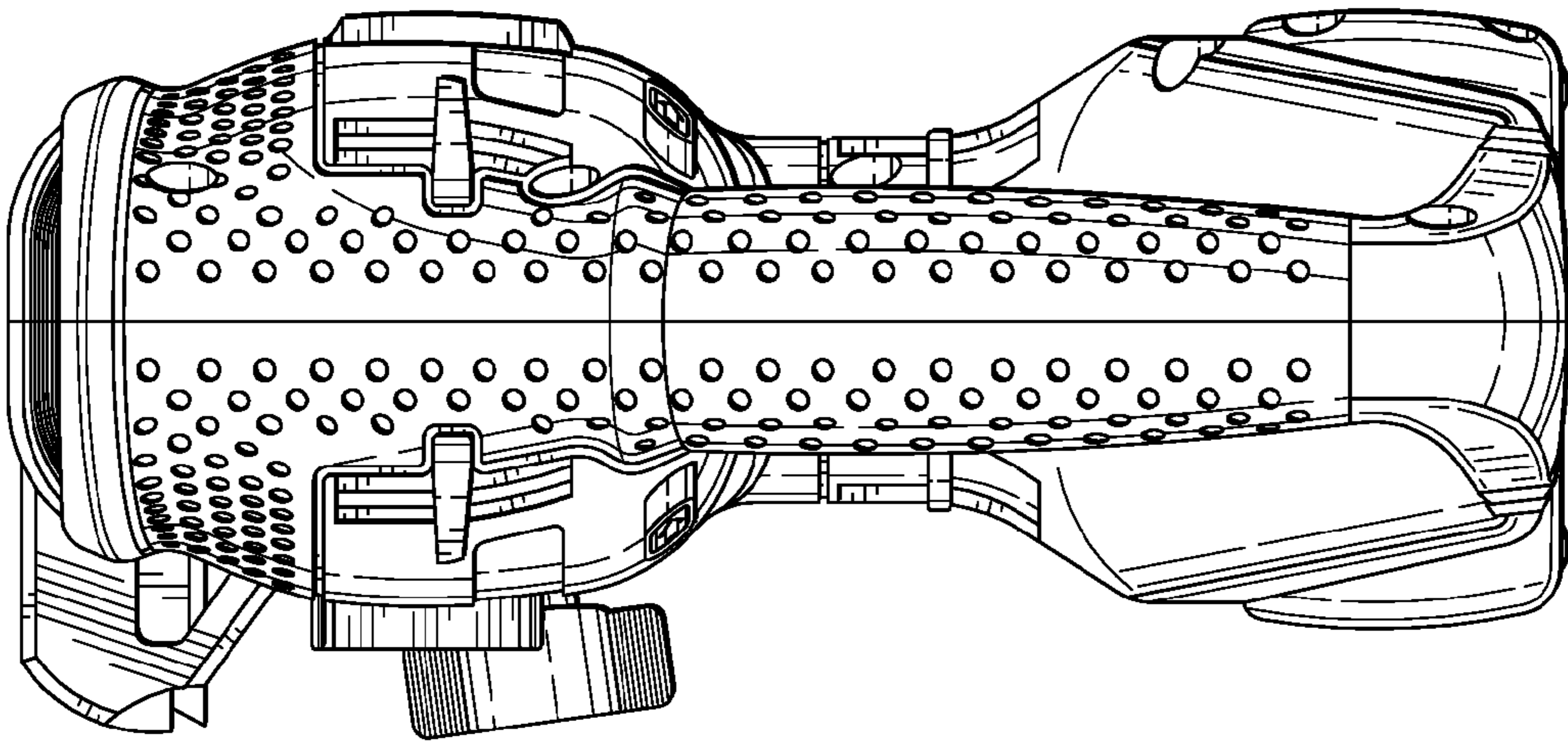


Fig. 7