



US00D587544S

(12) **United States Design Patent**  
**Lopano**

(10) **Patent No.:** **US D587,544 S**  
(45) **Date of Patent:** **\*\* Mar. 3, 2009**

(54) **CORDLESS DRILL**  
(75) Inventor: **Daniel N. Lopano**, Bel Air, MD (US)  
(73) Assignee: **Black & Decker Inc.**, Newark, DE (US)  
(\*\*) Term: **14 Years**  
(21) Appl. No.: **29/303,681**  
(22) Filed: **Feb. 14, 2008**

D559,062 S 1/2008 Concari  
D565,374 S 4/2008 Zhang  
D569,208 S 5/2008 Concari  
7,410,441 B2 \* 8/2008 Milbourne et al. .... 173/216  
2007/0193761 A1 8/2007 Brotto

\* cited by examiner

*Primary Examiner*—Antoine D Davis  
(74) *Attorney, Agent, or Firm*—Scott B. Markow; Adan Ayala

(51) **LOC (9) Cl.** ..... **08-03**  
(52) **U.S. Cl.** ..... **D8/68**  
(58) **Field of Classification Search** ..... D8/14.1,  
D8/61-70; 81/57.11, 429, 454-456, 469,  
81/489; 173/13, 104, 114, 168-171, 178,  
173/201, 211, 213, 217; 408/20, 124, 125,  
408/234, 241 R; 451/358; 310/50; 227/8,  
227/113, 114, 120, 130, 136, 142  
See application file for complete search history.

(57) **CLAIM**

The ornamental design for a cordless drill, as shown and described.

**DESCRIPTION**

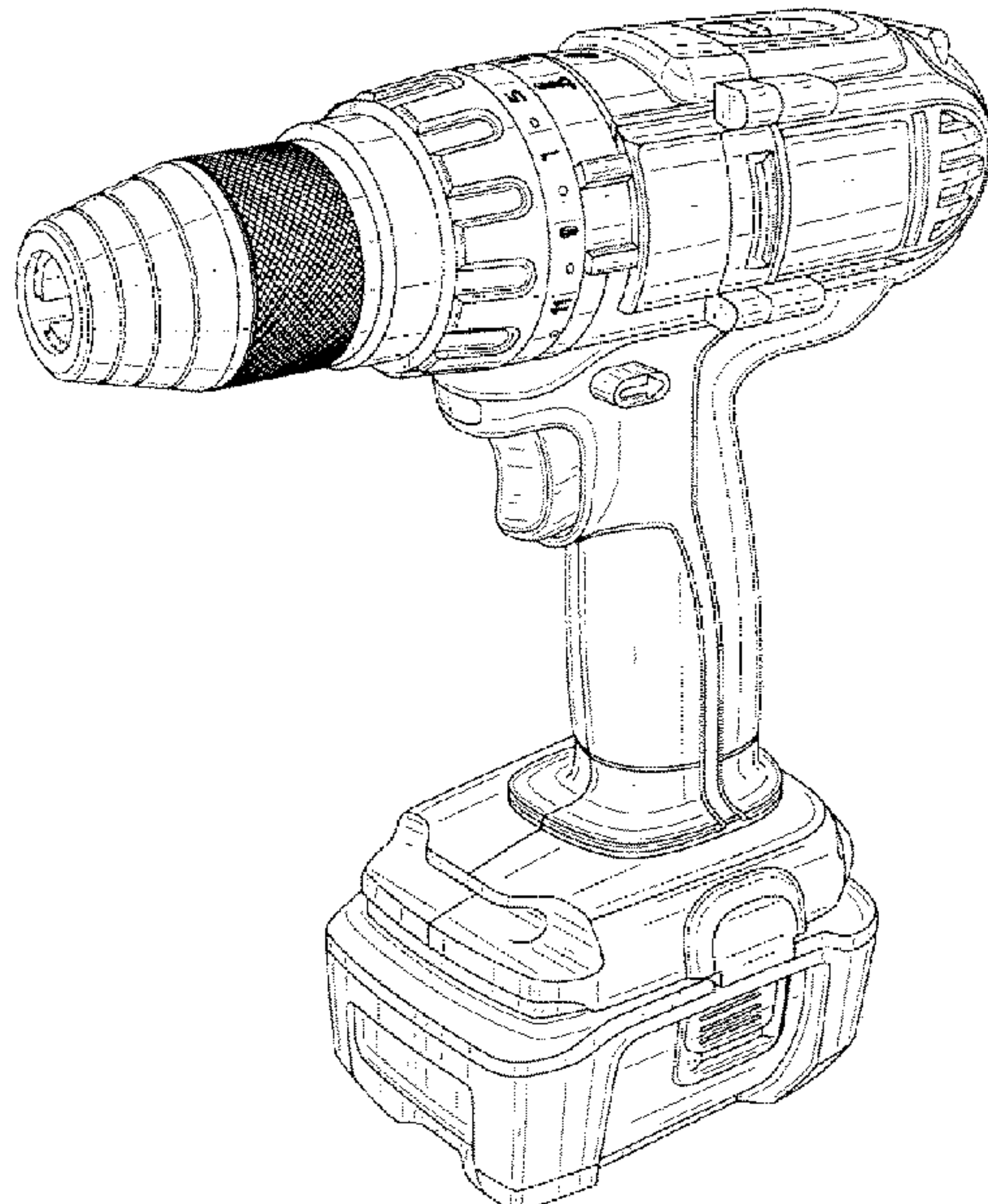
FIG. 1 is a left/front perspective view of a cordless drill showing my new design.  
FIG. 2 is a front view thereof.  
FIG. 3 is a rear view thereof.  
FIG. 4 is a right side view thereof.  
FIG. 5 is a left side view thereof.  
FIG. 6 is a top view thereof.  
FIG. 7 is a bottom view thereof.  
FIG. 8 is a left/front perspective view of a cordless drill showing my new design.  
FIG. 9 is a front view thereof.  
FIG. 10 is a rear view thereof.  
FIG. 11 is a right side view thereof.  
FIG. 12 is a left side view thereof.  
FIG. 13 is a top view thereof; and,  
FIG. 14 is a bottom view thereof.

(56) **References Cited**

**U.S. PATENT DOCUMENTS**

6,308,378 B1 \* 10/2001 Mooty et al. .... 310/50  
D466,777 S 12/2002 Watson  
D467,147 S 12/2002 Watson  
D479,456 S 9/2003 Murray et al.  
D501,384 S \* 2/2005 Wright et al. .... D8/68  
D501,779 S 2/2005 Watson  
D510,007 S \* 9/2005 Yamamoto ..... D8/68  
D525,848 S \* 8/2006 Kokawa ..... D8/68  
D527,971 S \* 9/2006 Kokawa ..... D8/68  
D533,040 S \* 12/2006 Schoen ..... D8/68  
D534,404 S 1/2007 Concari  
D536,591 S 2/2007 Ghode et al.  
D539,110 S \* 3/2007 Okuda ..... D8/68  
D540,639 S 4/2007 Watson  
D543,081 S 5/2007 Watson  
D559,061 S 1/2008 Concari

**1 Claim, 10 Drawing Sheets**



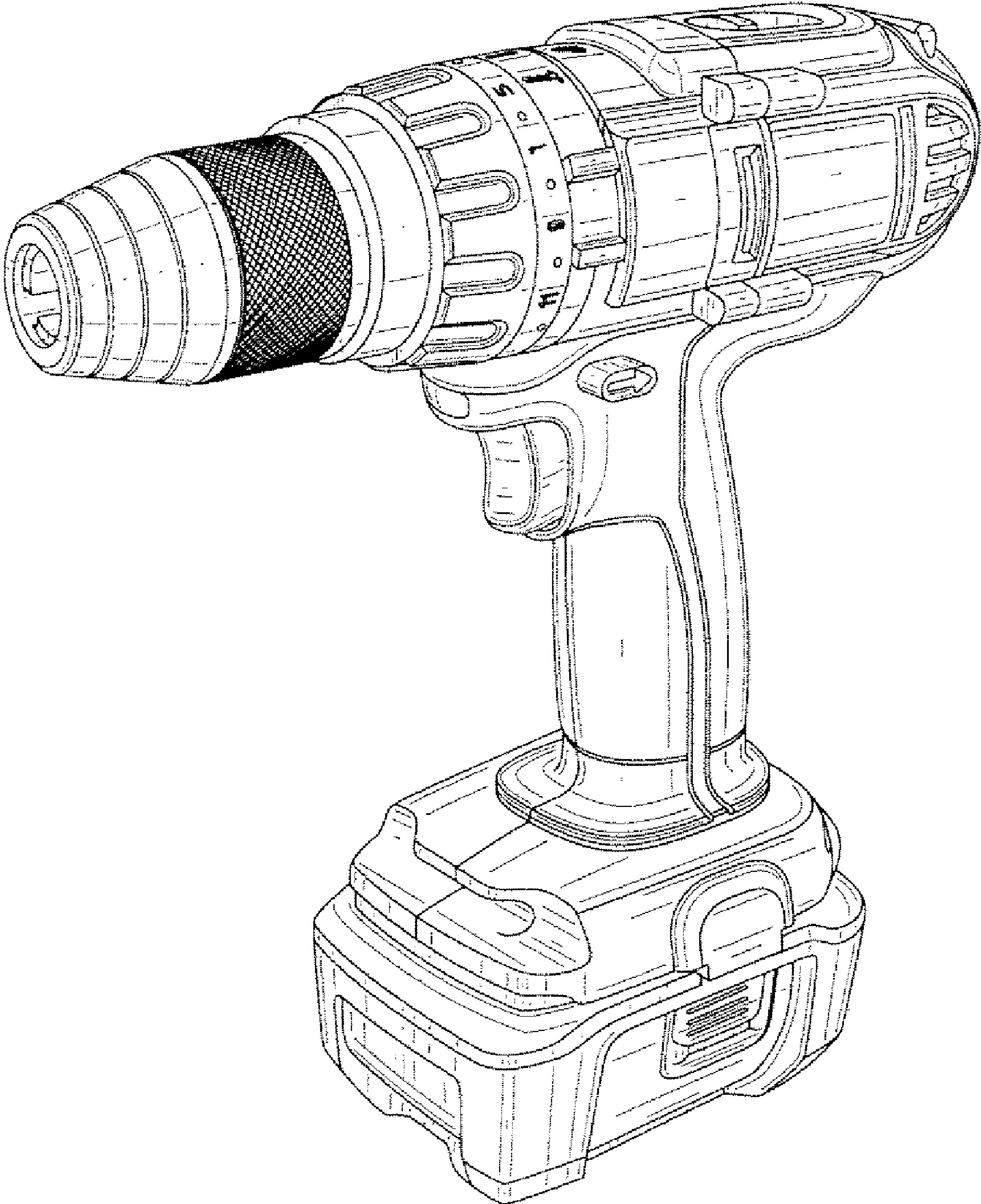


FIG. 1

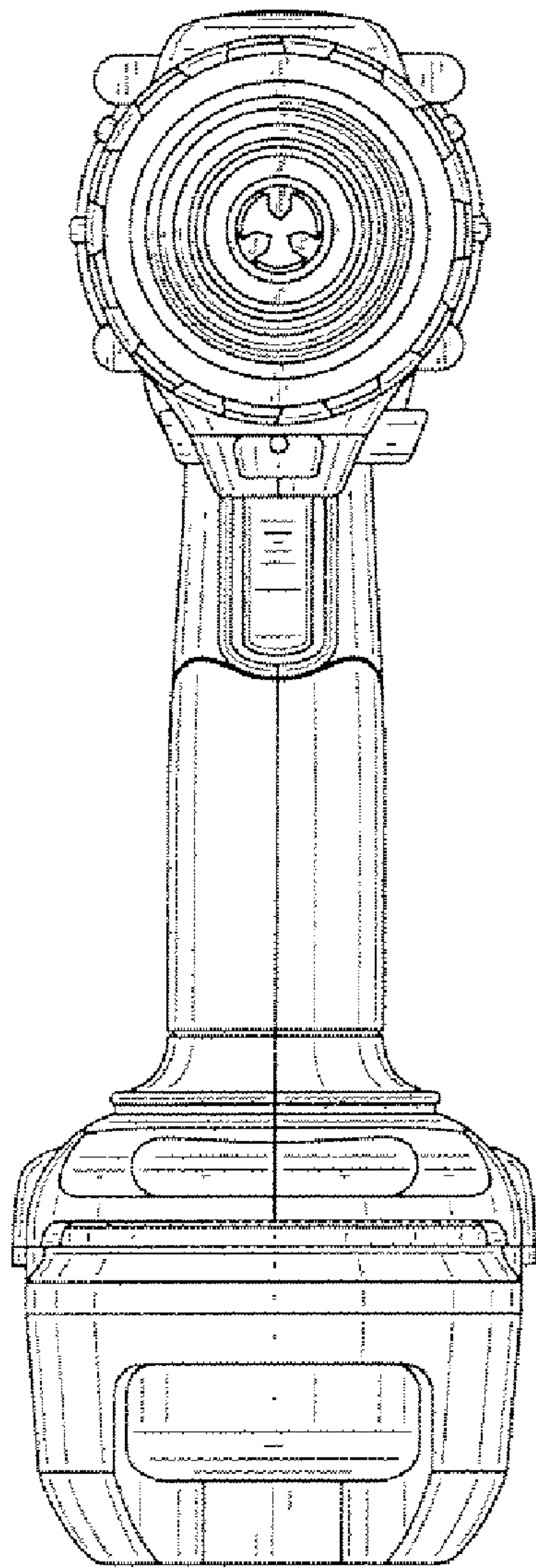


FIG. 2

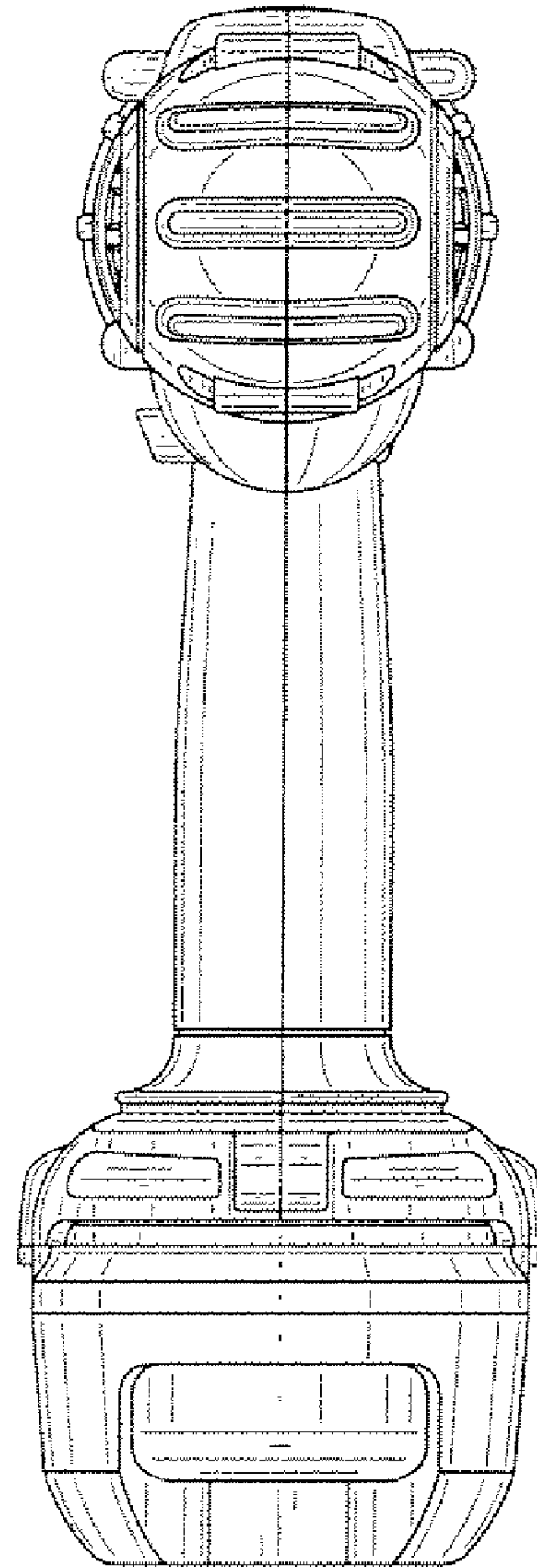


FIG. 3



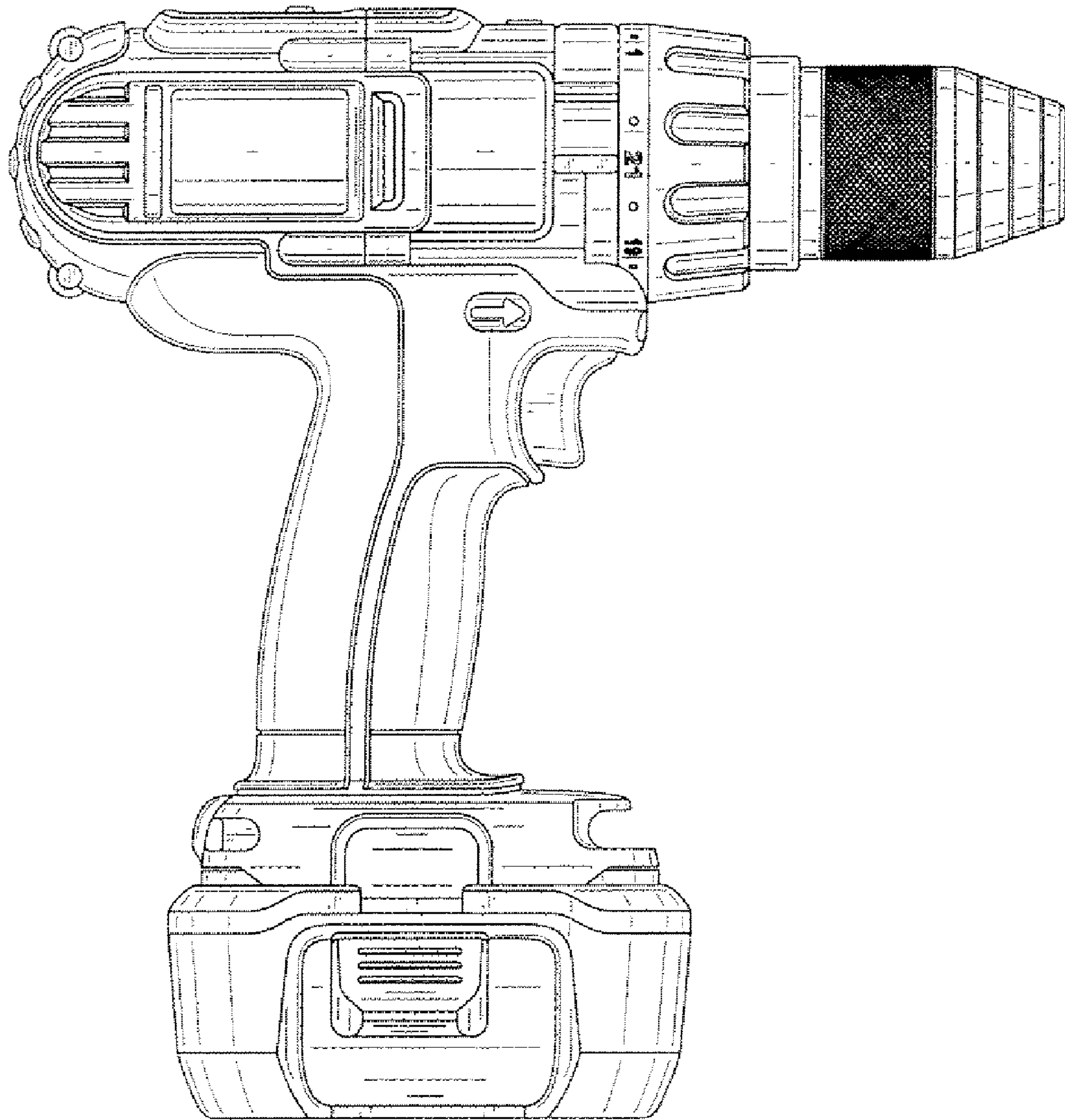


FIG. 4

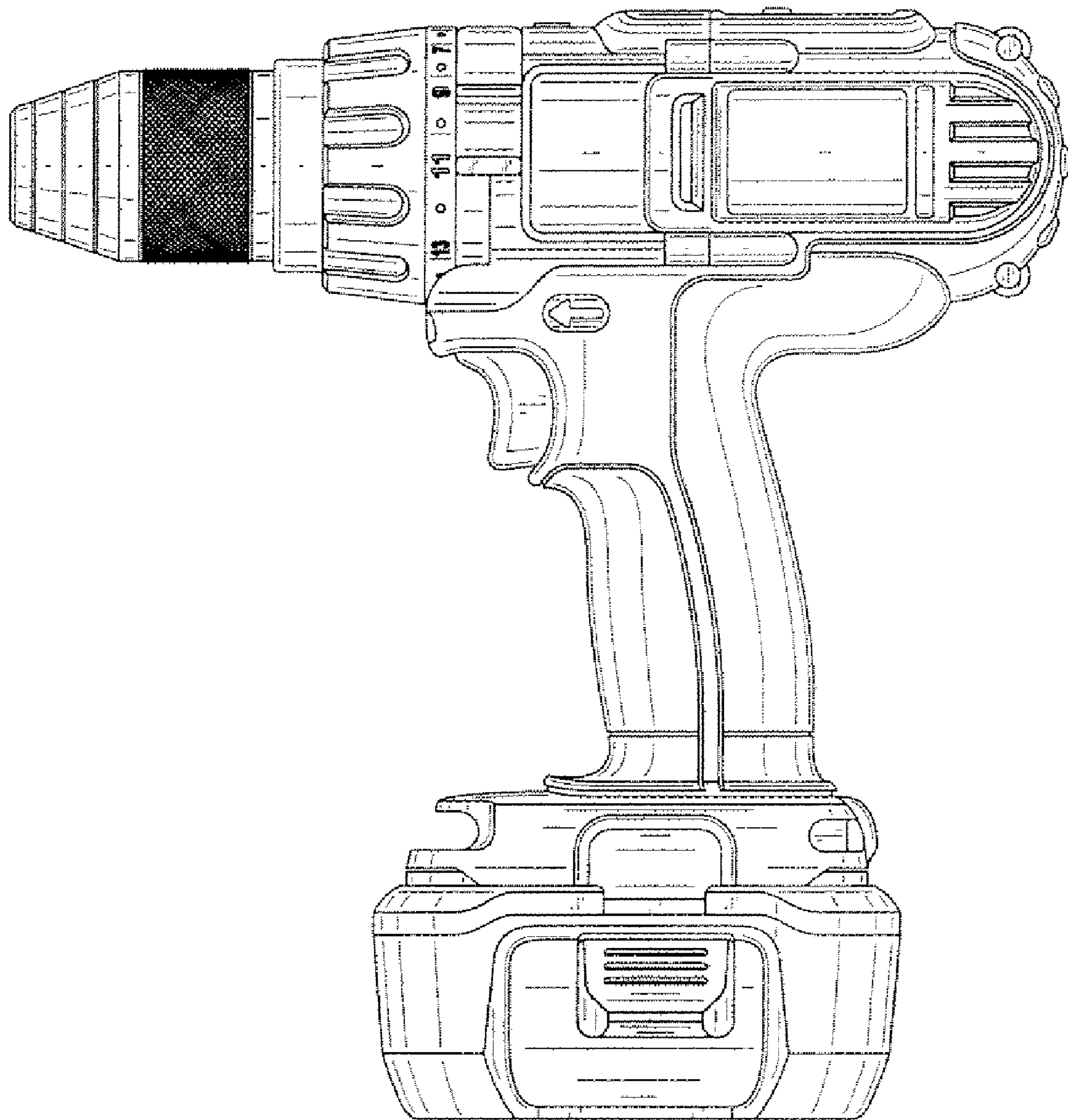


FIG. 5

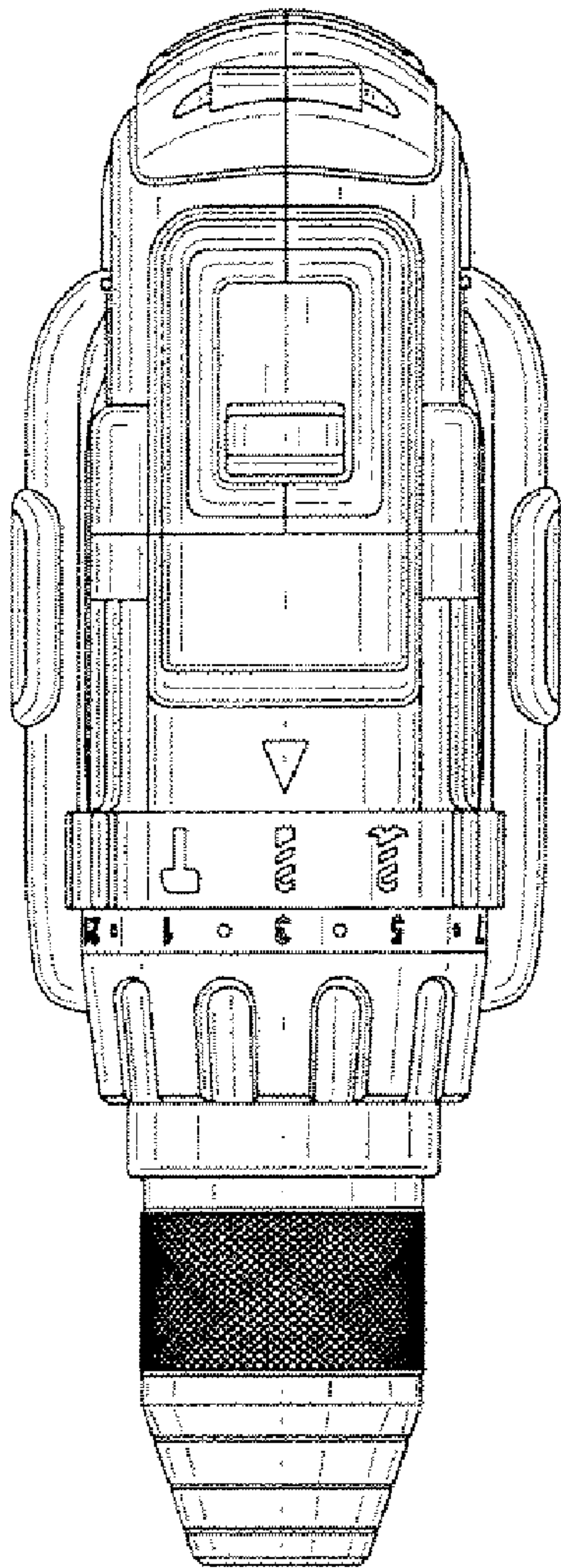


FIG. 6

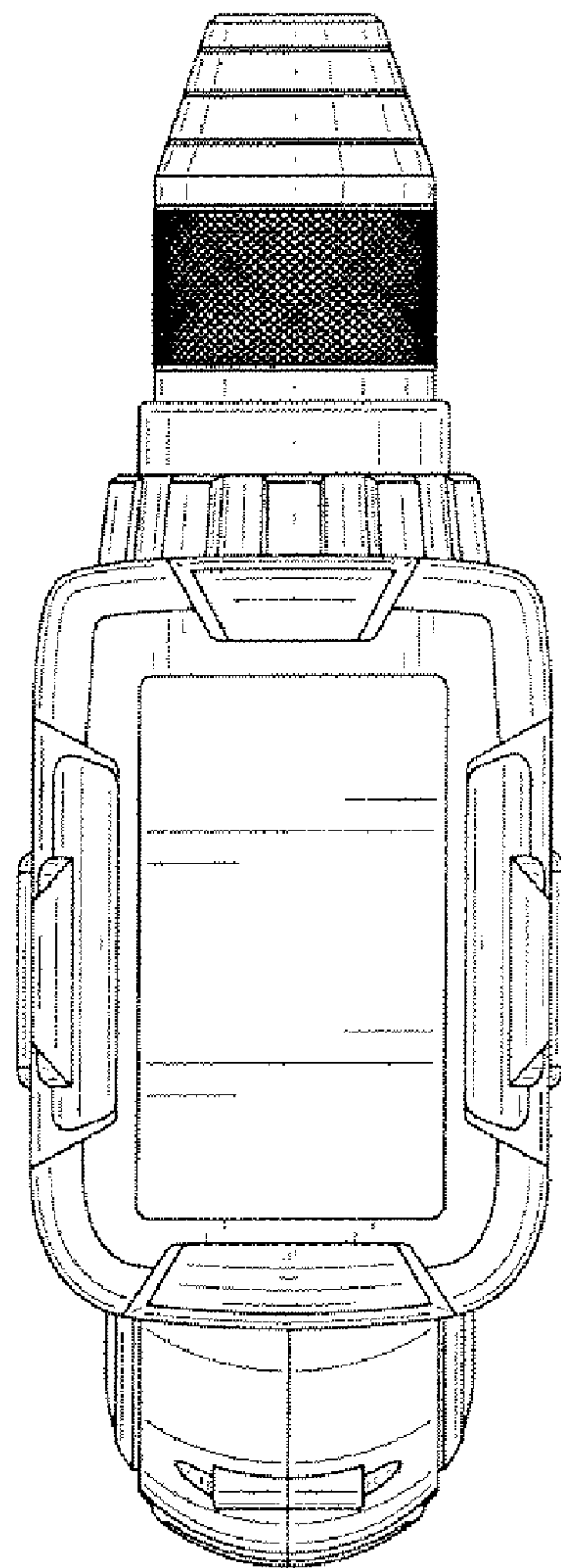


FIG. 7



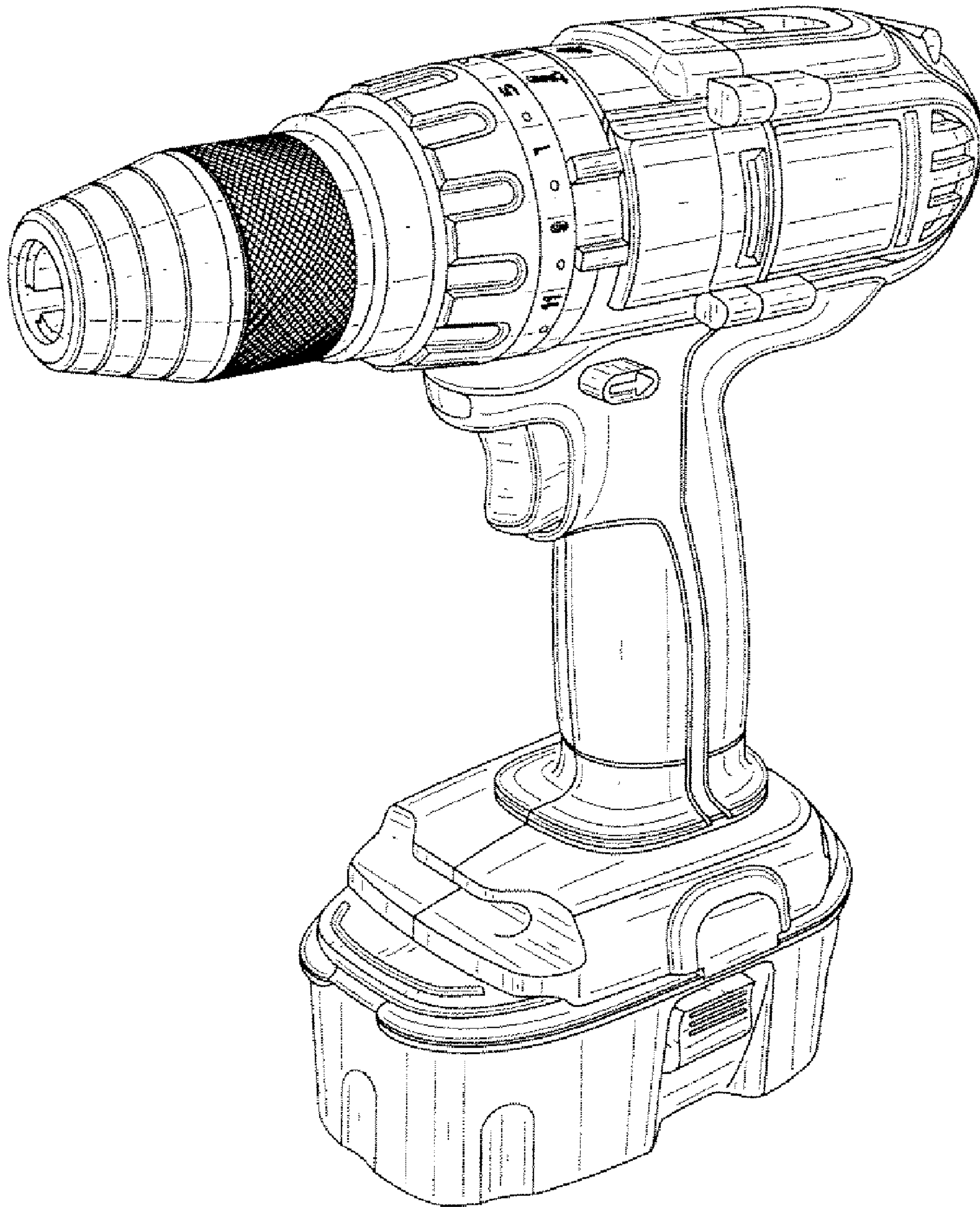


FIG. 8

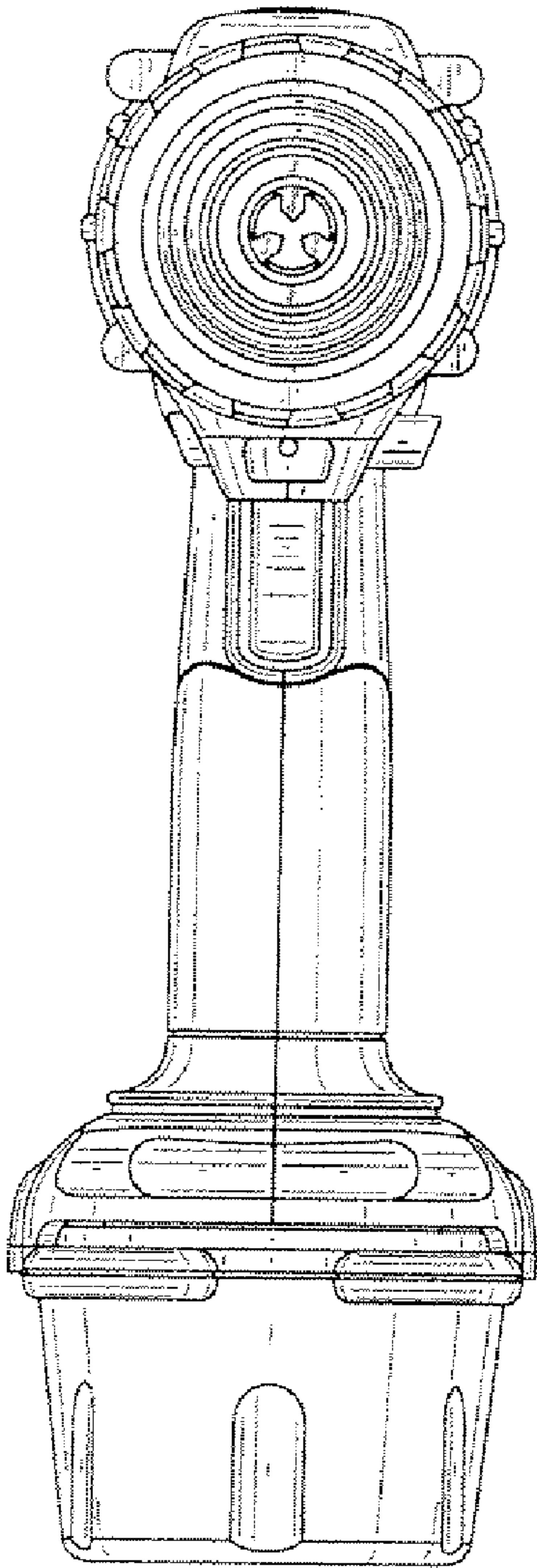


FIG. 9

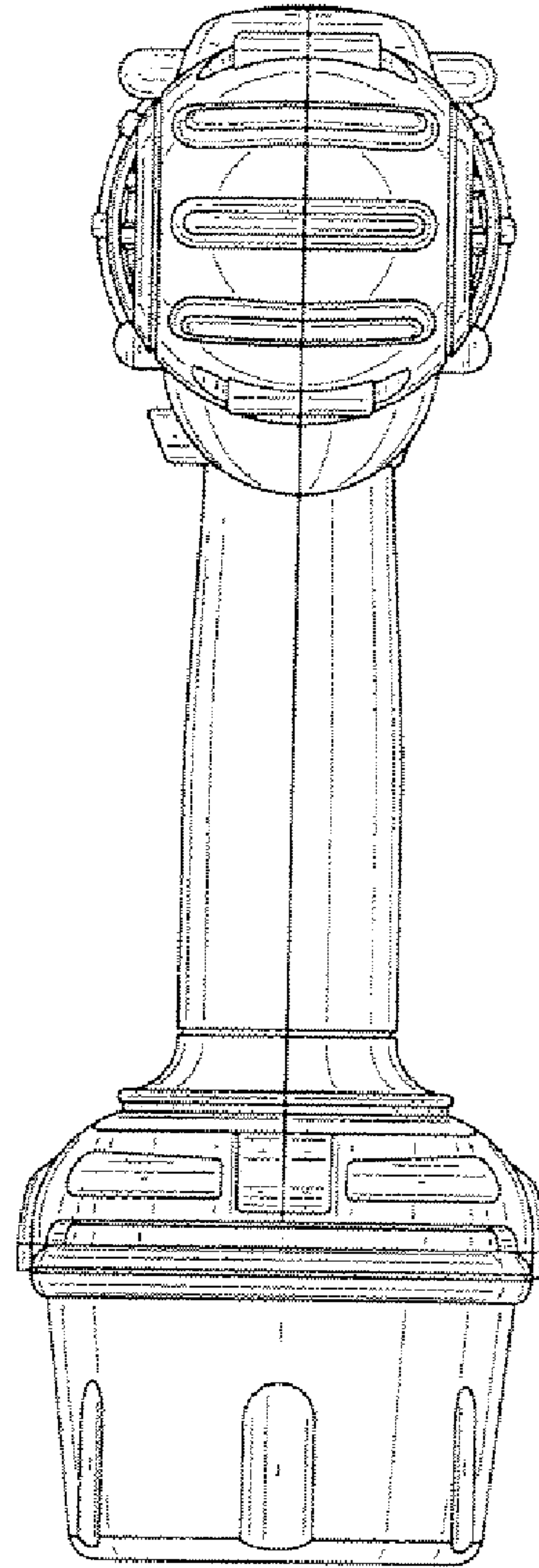


FIG. 10



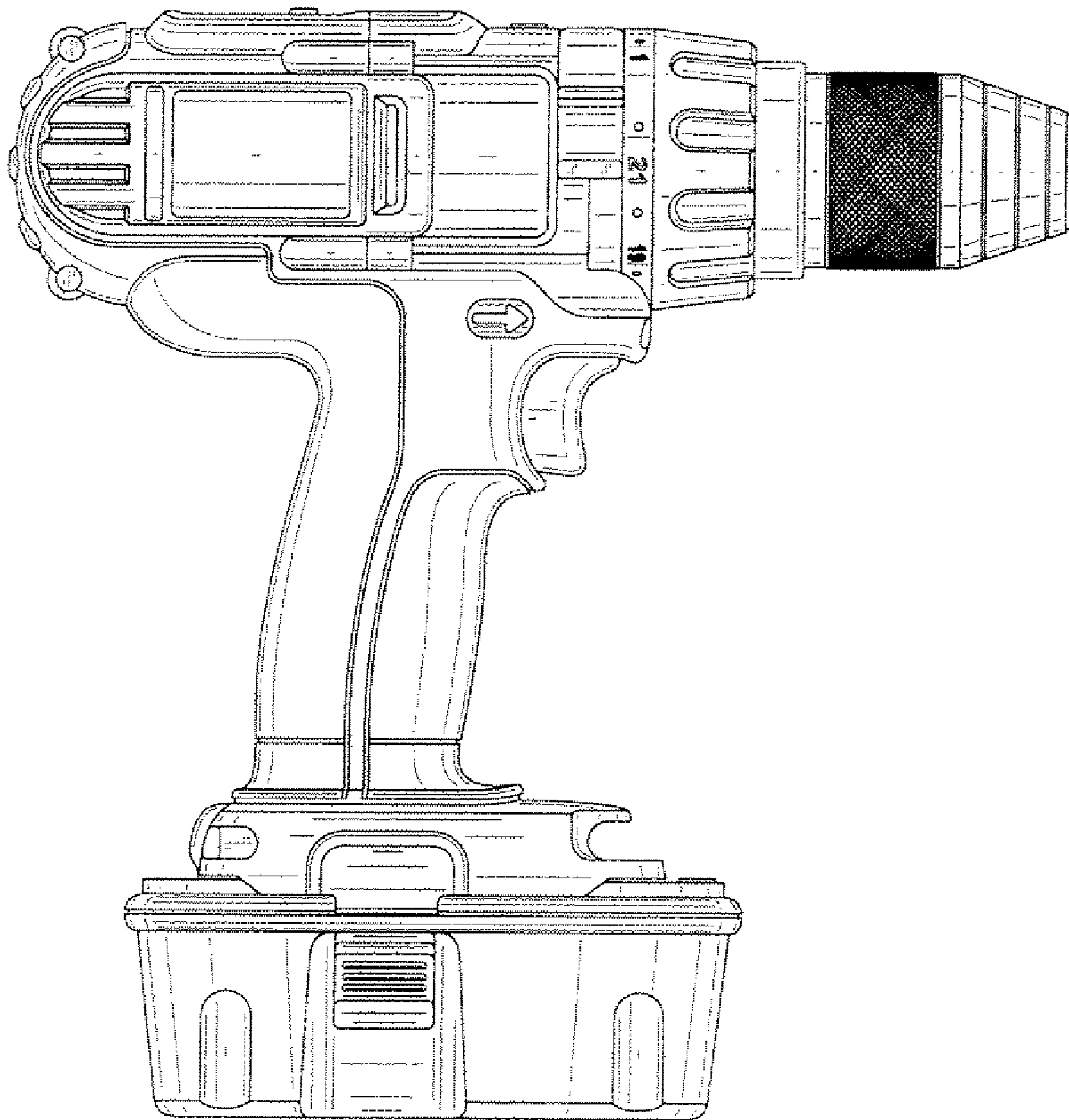


FIG. 11

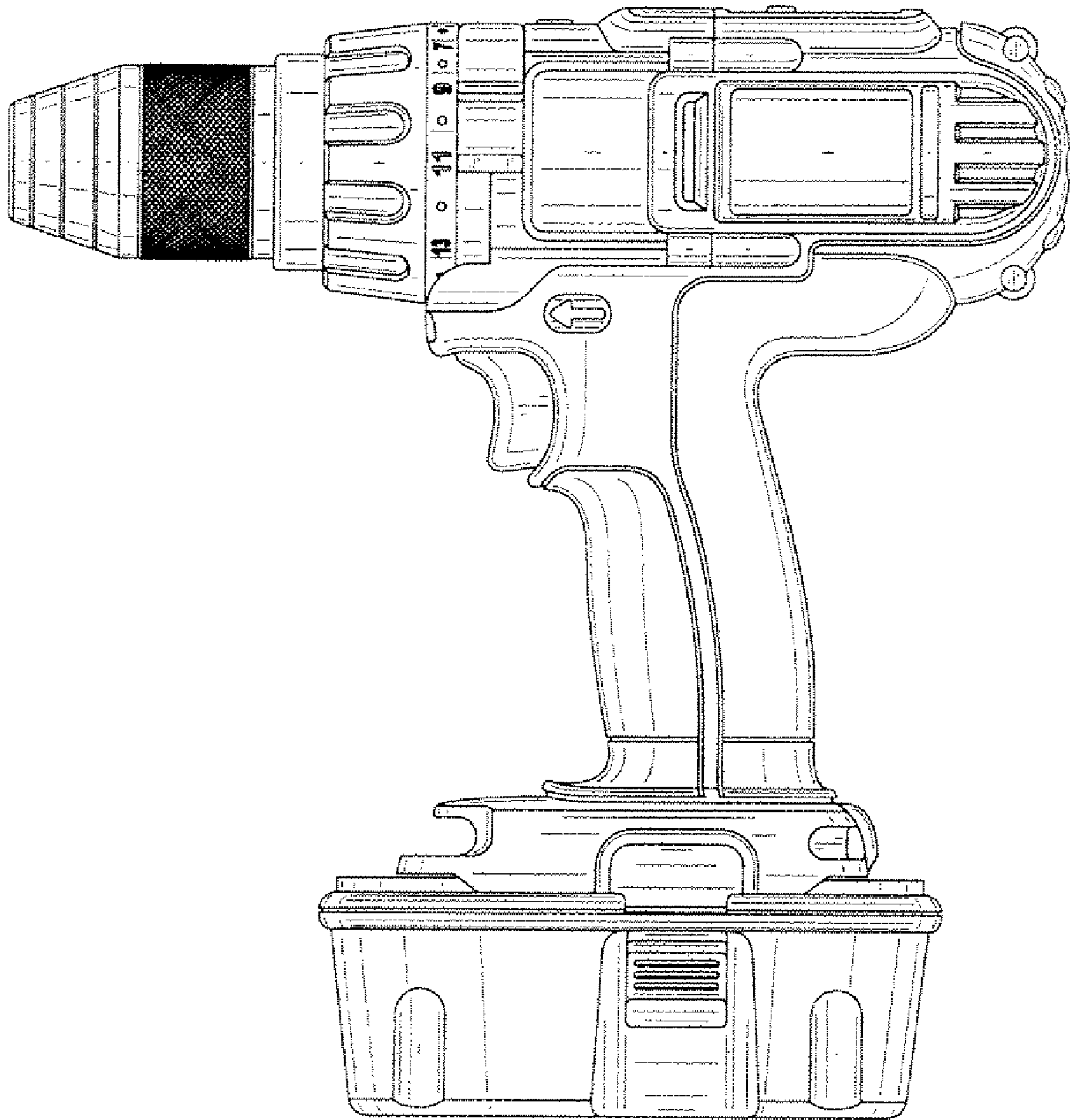


FIG. 12

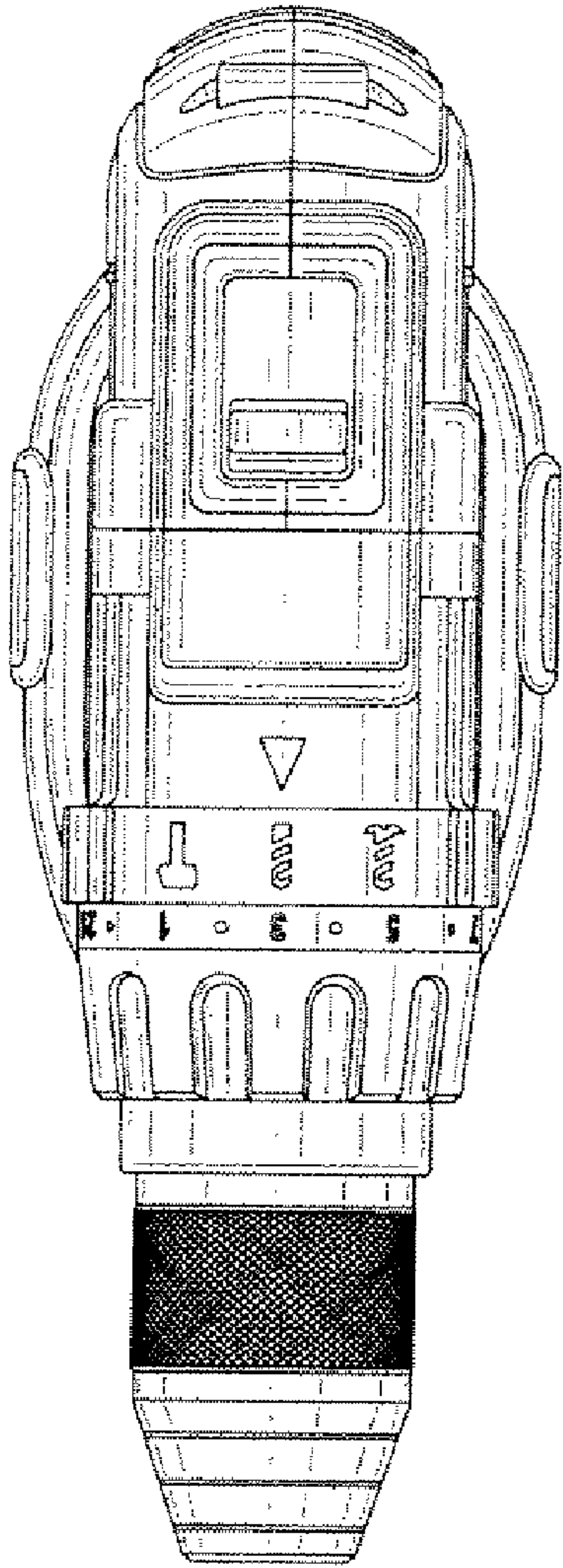


FIG. 13

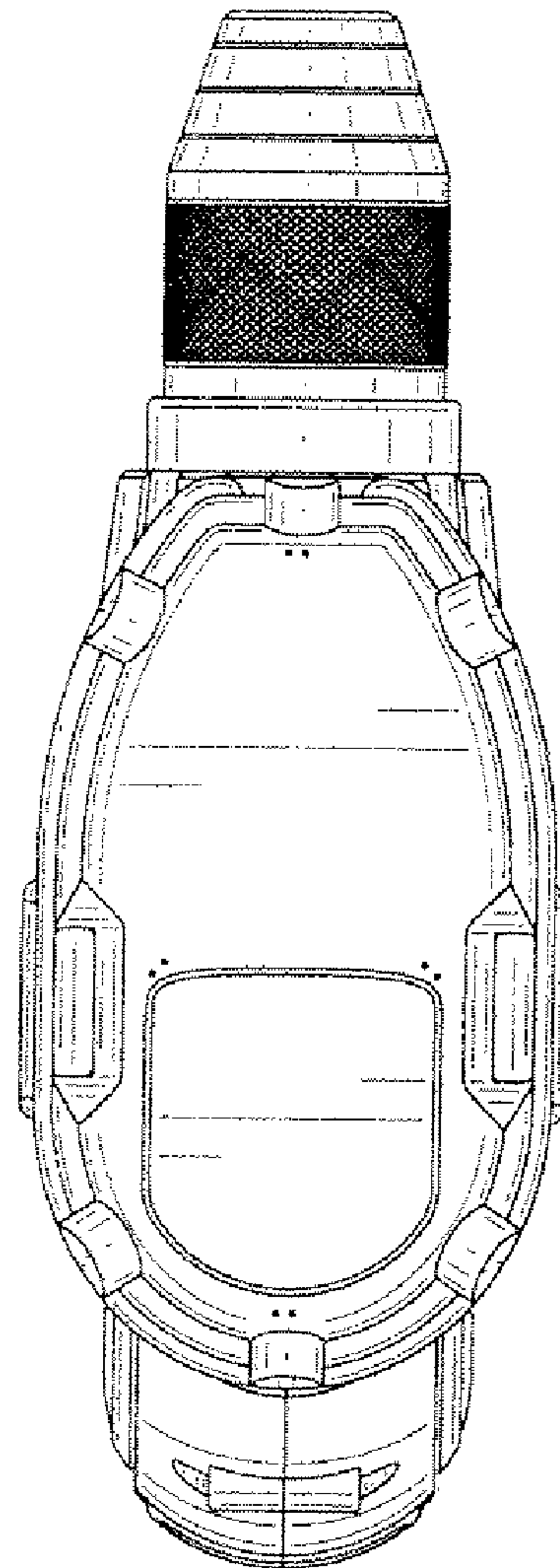


FIG. 14