



US00D587543S

(12) **United States Design Patent**
Kokawa et al.

(10) **Patent No.:** **US D587,543 S**
(45) **Date of Patent:** **** Mar. 3, 2009**

(54) **PORTABLE ELECTRIC DRIVER**
(75) Inventors: **Kiyozumi Kokawa**, Anjo (JP); **Hidenori Nagasaka**, Anjo (JP)
(73) Assignee: **Makita Corporation**, Anjo (JP)
(**) Term: **14 Years**
(21) Appl. No.: **29/319,337**
(22) Filed: **Jun. 6, 2008**

D472,439 S * 4/2003 Chunn et al. D8/61
D472,779 S * 4/2003 Chunn et al. D8/61
D474,086 S * 5/2003 Heun D8/61
D476,542 S * 7/2003 Chunn et al. D8/61
D484,382 S * 12/2003 Su D8/68
D486,713 S * 2/2004 Lai D8/68
D487,383 S * 3/2004 Ng D8/61
D502,071 S * 2/2005 Snider D8/61
D526,550 S * 8/2006 Aglassinger D8/68
D526,872 S * 8/2006 Snider D8/68
D554,461 S 11/2007 Kokawa et al.
D565,916 S * 4/2008 Chen D8/61
2003/0015066 A1* 1/2003 Chao 81/57.26

(30) **Foreign Application Priority Data**
Dec. 20, 2007 (JP) 2007-034945
(51) **LOC (9) Cl.** **08-01**
(52) **U.S. Cl.** **D8/61**
(58) **Field of Classification Search** D8/61,
D8/62, 67, 69; 81/57, 57.11, 57.14, 57.26,
81/429, 464, 469; 173/2, 170, 176, 181
See application file for complete search history.

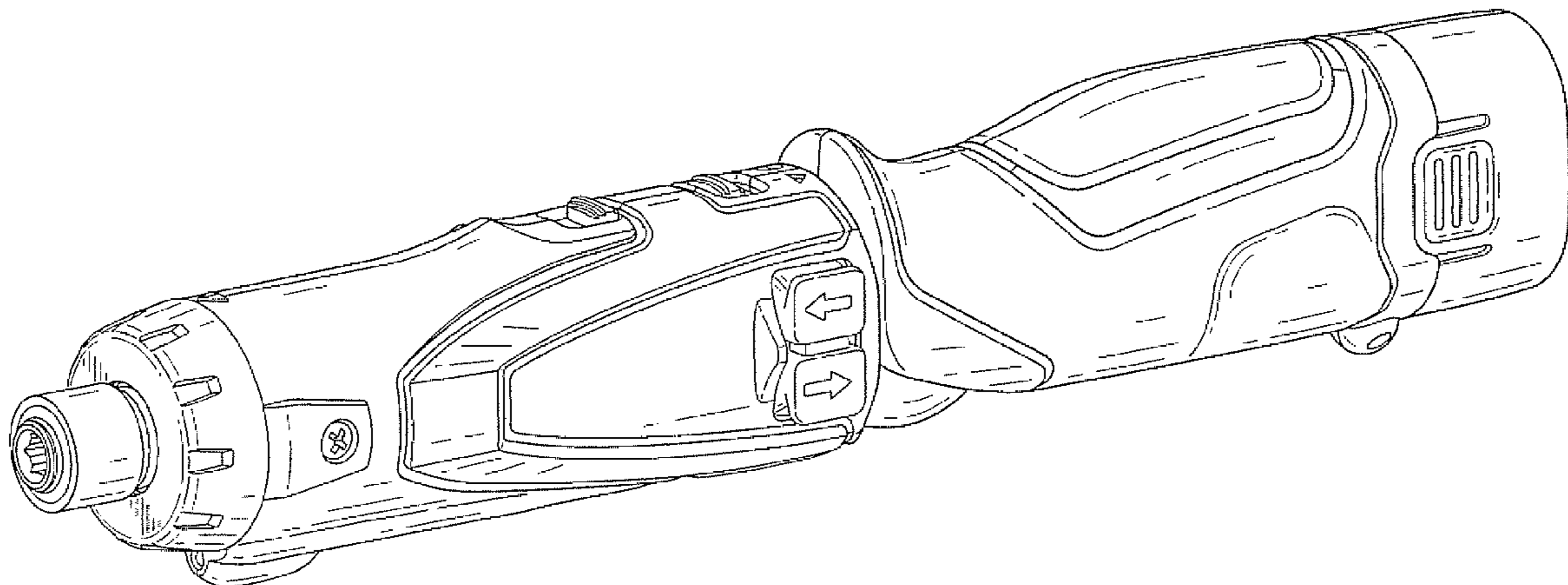
* cited by examiner
Primary Examiner—Cathron C Brooks
Assistant Examiner—Austin Murphy
(74) *Attorney, Agent, or Firm*—Olliff & Berridge, PLC

(56) **References Cited**
U.S. PATENT DOCUMENTS
4,522,270 A * 6/1985 Kishi 173/217
D303,205 S * 9/1989 Gierke et al. D8/61
D304,543 S * 11/1989 Somers et al. D8/61
D308,622 S * 6/1990 Fushiya et al. D8/61
5,251,706 A * 10/1993 Evans 173/29
5,310,010 A * 5/1994 Lo 173/178
D380,658 S * 7/1997 Bruno et al. D8/61
D391,820 S * 3/1998 Bunyea D8/61
D418,729 S * 1/2000 Snider D8/61
D423,897 S * 5/2000 Cooper D8/61
6,364,033 B1 * 4/2002 Hung et al. 173/217
D467,146 S * 12/2002 Chunn et al. D8/61

(57) **CLAIM**
The ornamental design for a portable electric driver, as shown and described.

DESCRIPTION
FIG. 1 is a perspective view of top, front and left side of a portable electric driver showing our new design;
FIG. 2 is a front view thereof;
FIG. 3 is a rear view thereof;
FIG. 4 is a top plan view thereof;
FIG. 5 is a bottom view thereof;
FIG. 6 is a left side view thereof;
FIG. 7 is a right side view thereof; and,
FIG. 8 is a perspective reference view in the folded position.

1 Claim, 5 Drawing Sheets



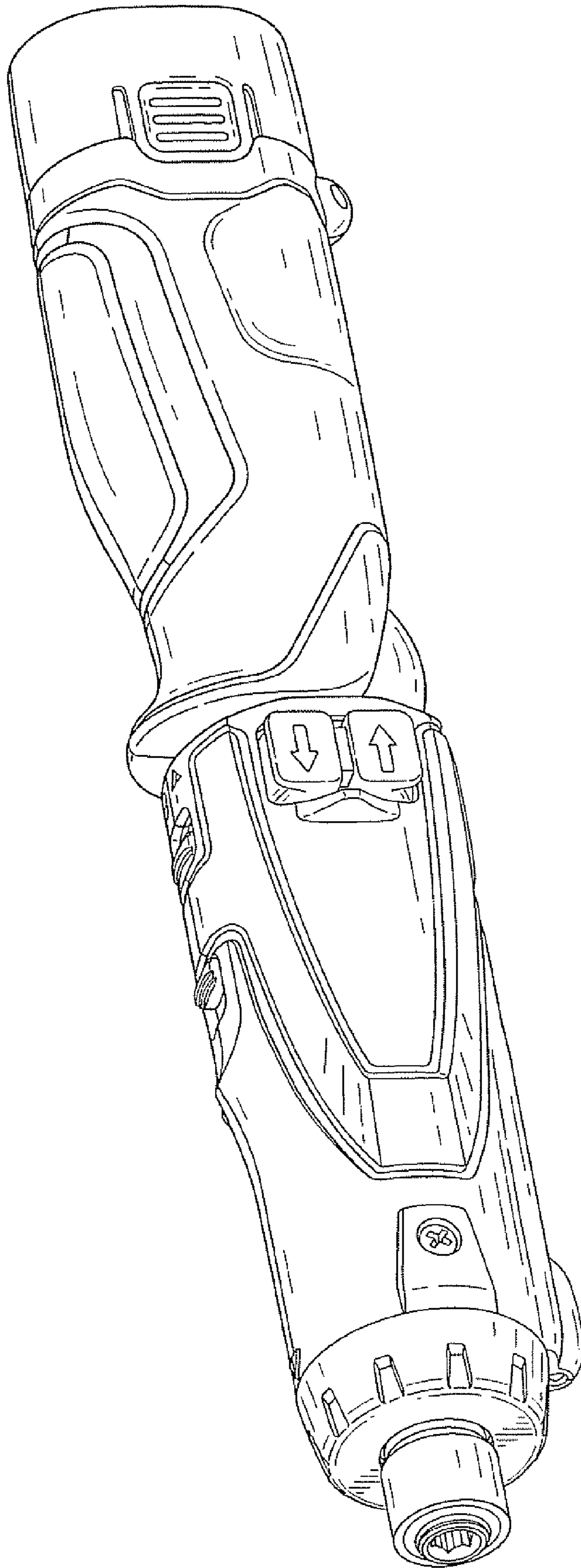


FIG. 1

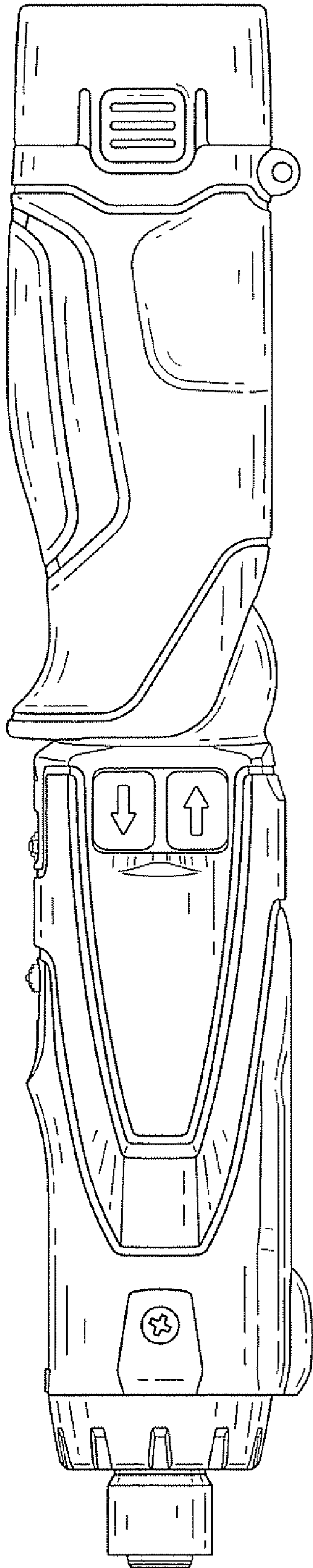


FIG. 2

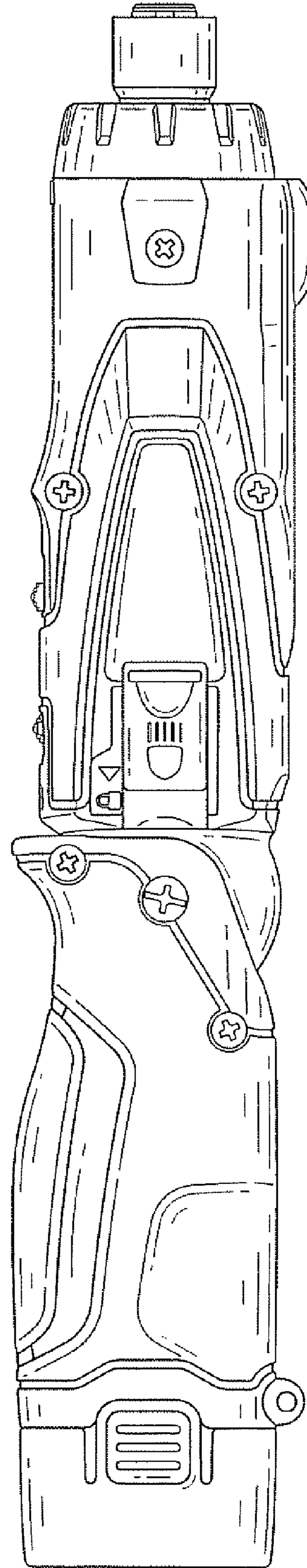


FIG. 3

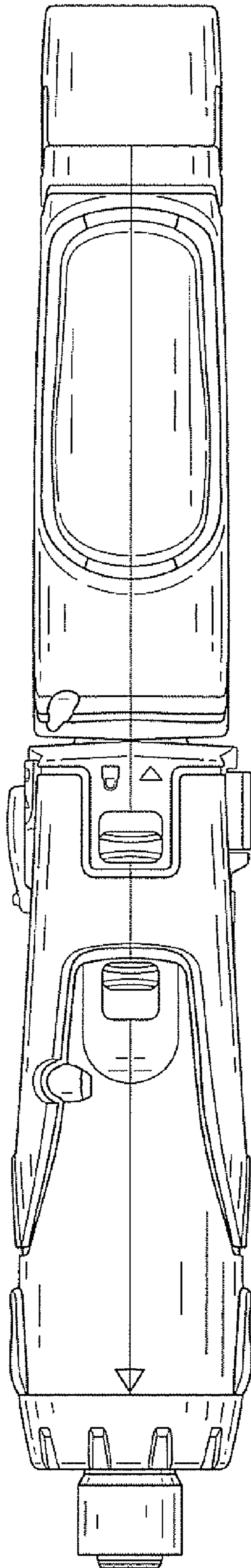


FIG. 4

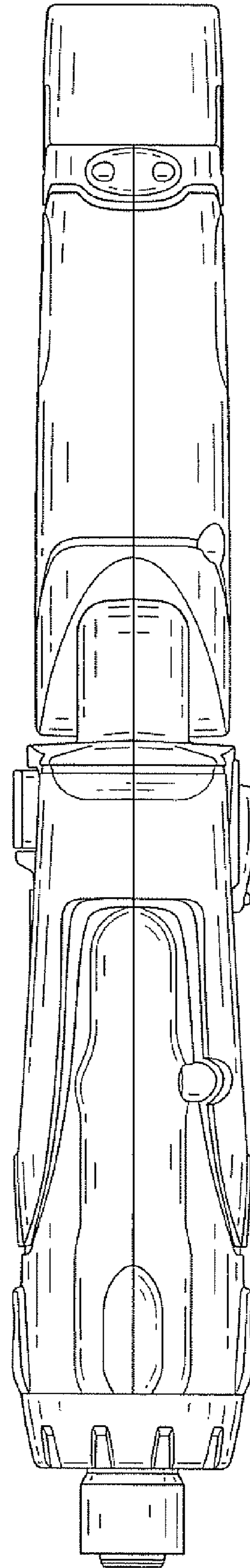


FIG. 5

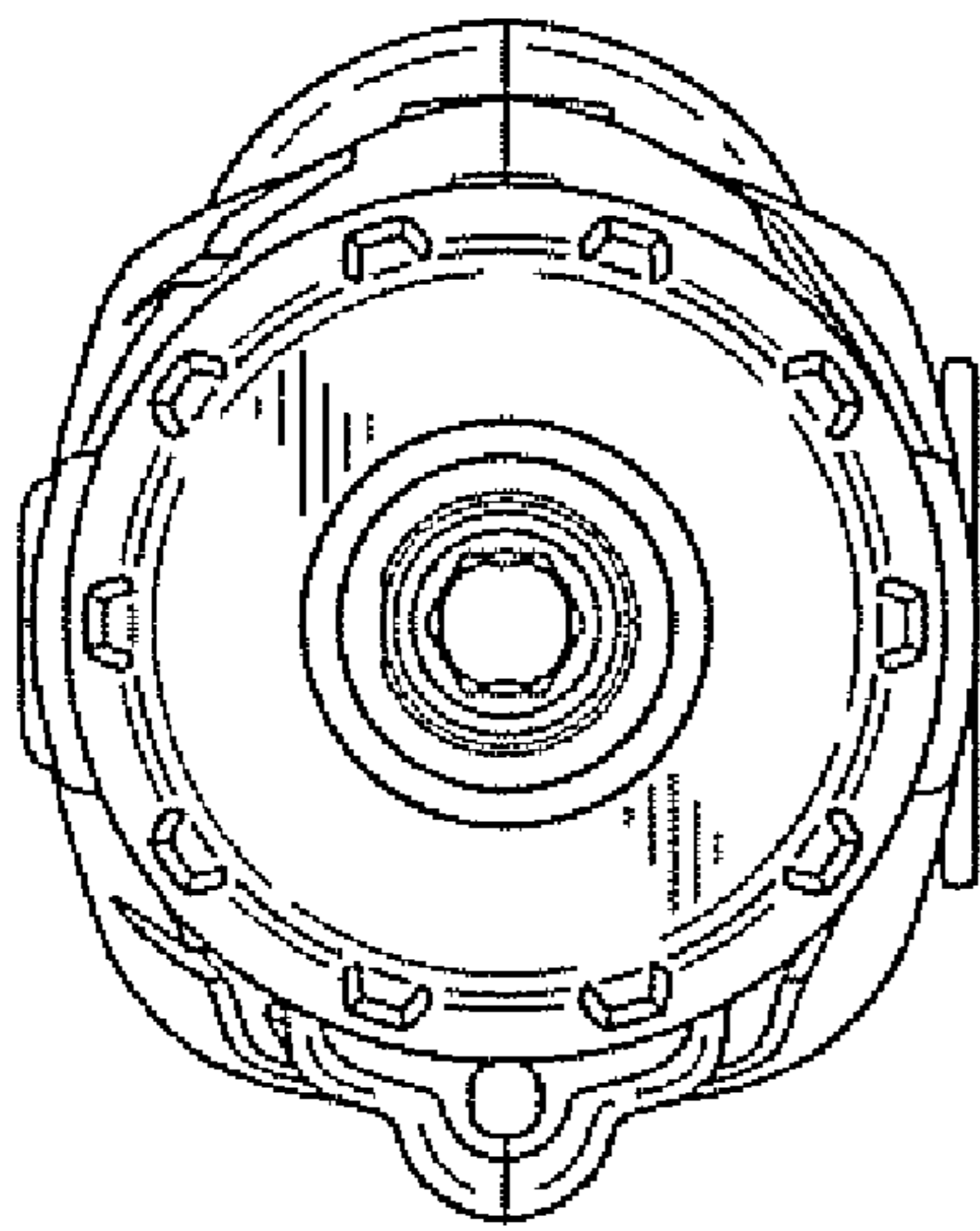


FIG. 6

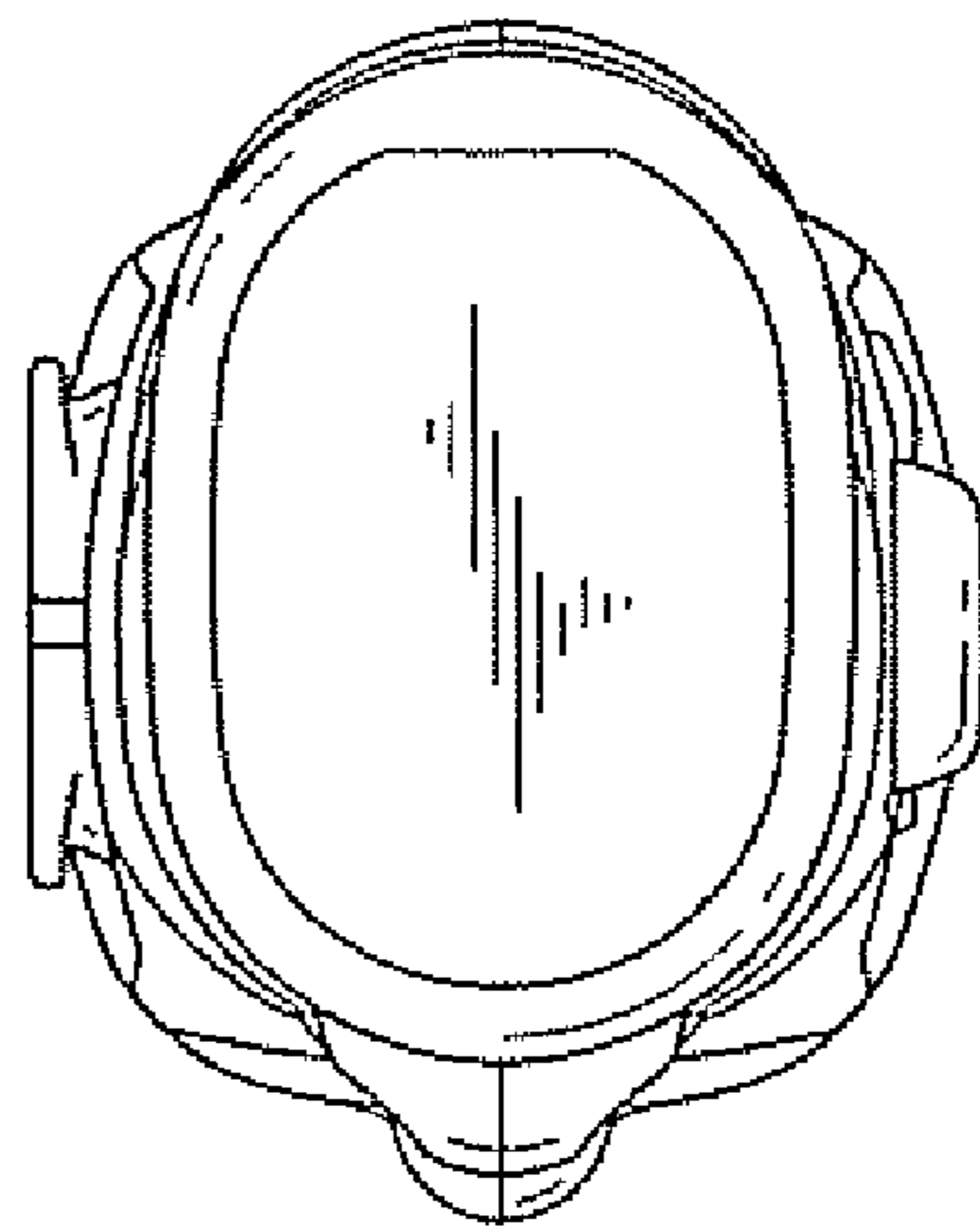


FIG. 7

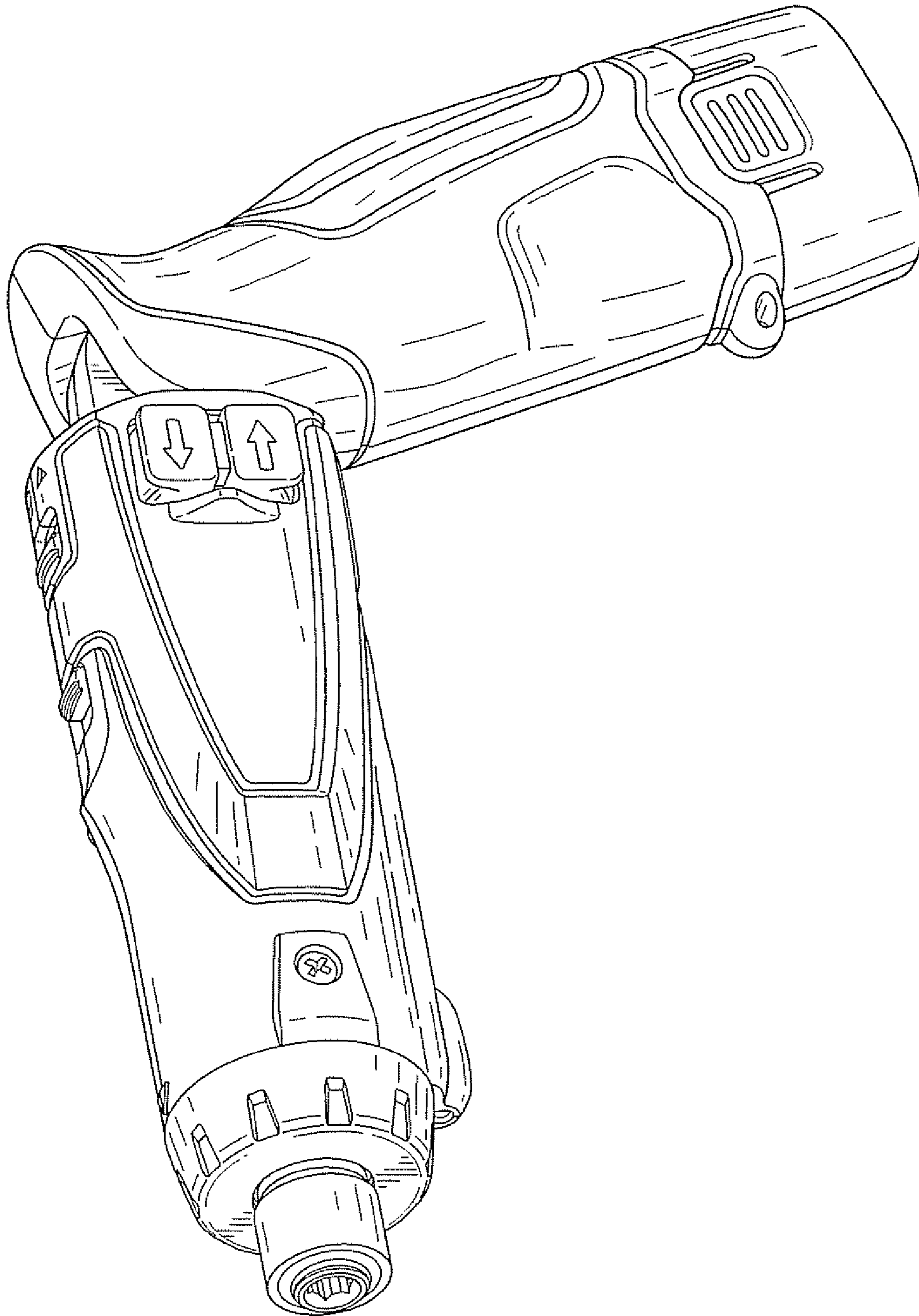


FIG. 8