



US00D587542S

(12) **United States Design Patent**
Miyagi

(10) **Patent No.:** **US D587,542 S**
(45) **Date of Patent:** **** Mar. 3, 2009**

(54) **STAPLER**
(75) Inventor: **Sotaro Miyagi**, Tokyo (JP)
(73) Assignee: **Plus Stationery Corp.**, Tokyo (JP)
(**) Term: **14 Years**
(21) Appl. No.: **29/318,143**
(22) Filed: **May 14, 2008**
(51) **LOC (9) Cl.** **19-02**
(52) **U.S. Cl.** **D8/50**
(58) **Field of Classification Search** D8/49,
D8/50, 61, 68, 69; D19/72, 73, 65, 69; D21/532;
D24/145; 7/158, 160; 227/4, 5, 6, 7, 8, 120,
227/127, 128, 131, 132, 134, 144, 156, 175.1;
606/139, 143, 153, 219
See application file for complete search history.

D503,321 S * 3/2005 Harris D8/50
6,966,479 B2 11/2005 Tanaka et al.
D513,159 S * 12/2005 Marks et al. D8/50
D514,906 S * 2/2006 Marks et al. D8/50
7,124,924 B2 10/2006 Marks
D531,866 S 11/2006 Harris et al.
D533,756 S * 12/2006 Chang D8/50
7,322,504 B2 1/2008 Chen
D567,043 S * 4/2008 Marks et al. D8/50
D570,170 S * 6/2008 Kent et al. D8/50
2006/0144895 A1 * 7/2006 Kirby et al.
2007/0272721 A1 * 11/2007 Marks

* cited by examiner

Primary Examiner—Cathron Brooks
Assistant Examiner—Austin Murphy
(74) *Attorney, Agent, or Firm*—William J. Sapone; Coleman
Sudol Sapone P.C.

(56) **References Cited**

U.S. PATENT DOCUMENTS

D333,957 S * 3/1993 Chan D8/50
D352,435 S * 11/1994 Chi D8/50
D394,592 S * 5/1998 Brunson et al. D8/50
D401,825 S 12/1998 Parsey et al.
D414,091 S * 9/1999 Rellinger D8/50
D429,453 S * 8/2000 Imboden et al. D8/50
D434,443 S * 11/2000 Mori et al. D19/72
D447,396 S * 9/2001 Arns D8/50
D468,981 S * 1/2003 Nolan D8/50
D470,025 S * 2/2003 Joss et al. D8/50
D471,414 S * 3/2003 Chan D8/50
D472,436 S * 4/2003 Scola et al. D8/50
D478,486 S * 8/2003 Slowik et al. D8/50
6,626,346 B2 * 9/2003 Jairam et al. 227/127
D480,287 S * 10/2003 Scola et al. D8/50
D482,584 S * 11/2003 Racamier D8/50
D487,006 S * 2/2004 Lee D8/50
D502,851 S * 3/2005 Sauter et al. D8/50

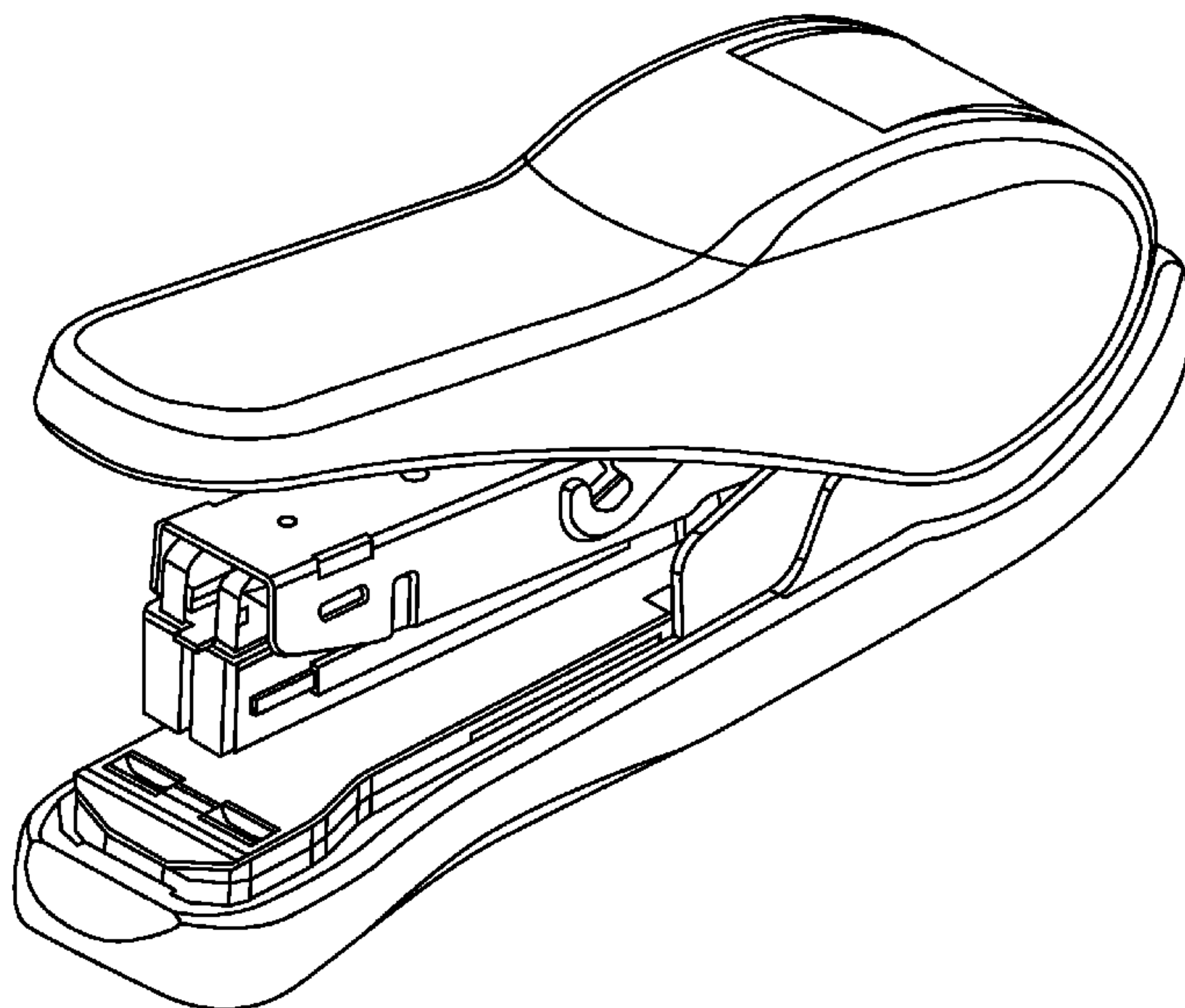
(57) **CLAIM**

I claim the ornamental design for a stapler, as shown and described.

DESCRIPTION

FIG. 1 is a front view of the stapler showing my new design;
FIG. 2 is a rear view thereof;
FIG. 3 is a left side view thereof;
FIG. 4 is a right side view thereof;
FIG. 5 is a top view thereof;
FIG. 6 is a bottom view thereof;
FIG. 7 is a front perspective view thereof;
FIG. 8 is a rear perspective view thereof;
FIG. 9 is a bottom perspective view thereof; and,
FIG. 10 is another bottom perspective view thereof.

1 Claim, 4 Drawing Sheets



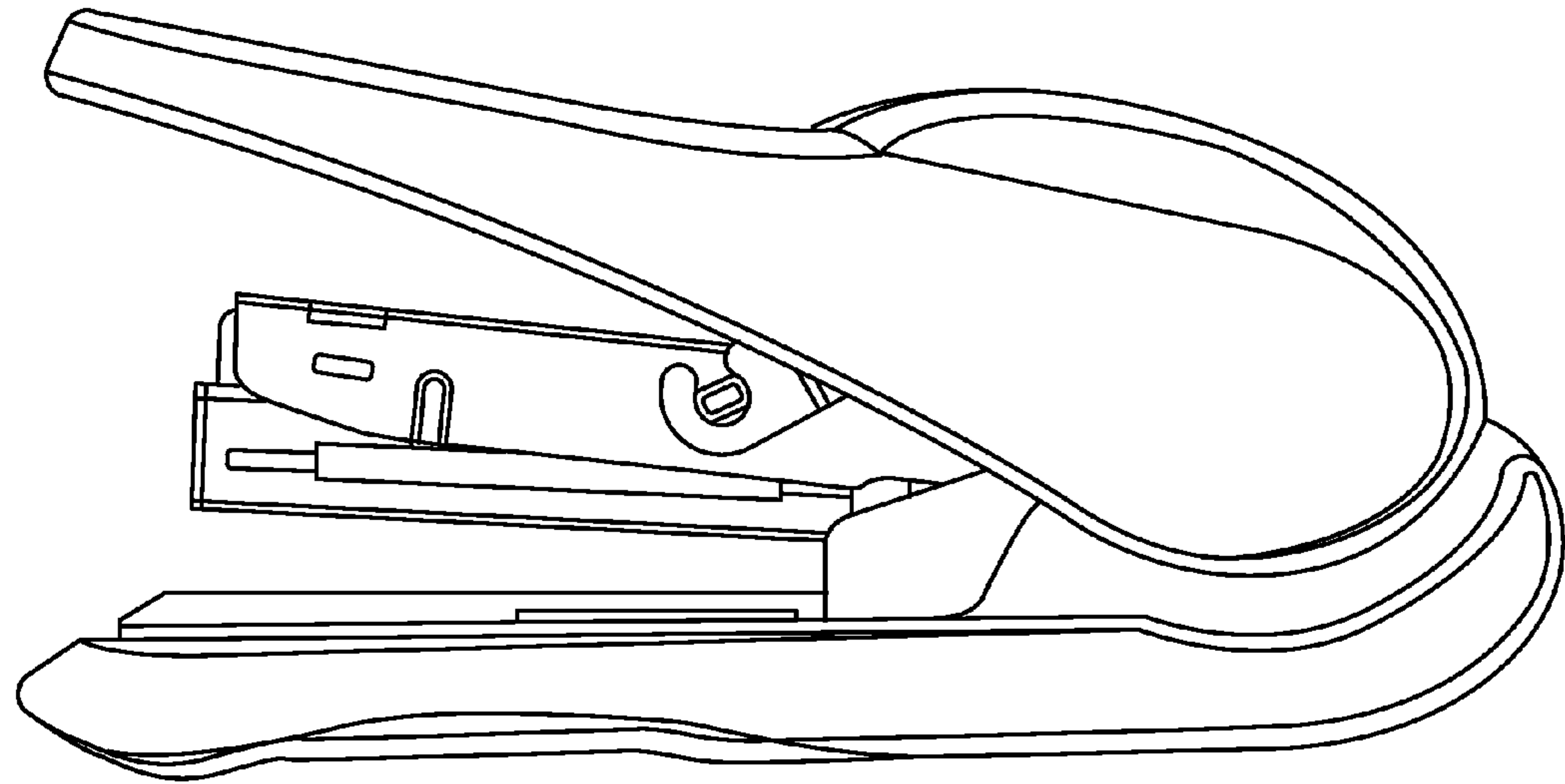


FIG. 1

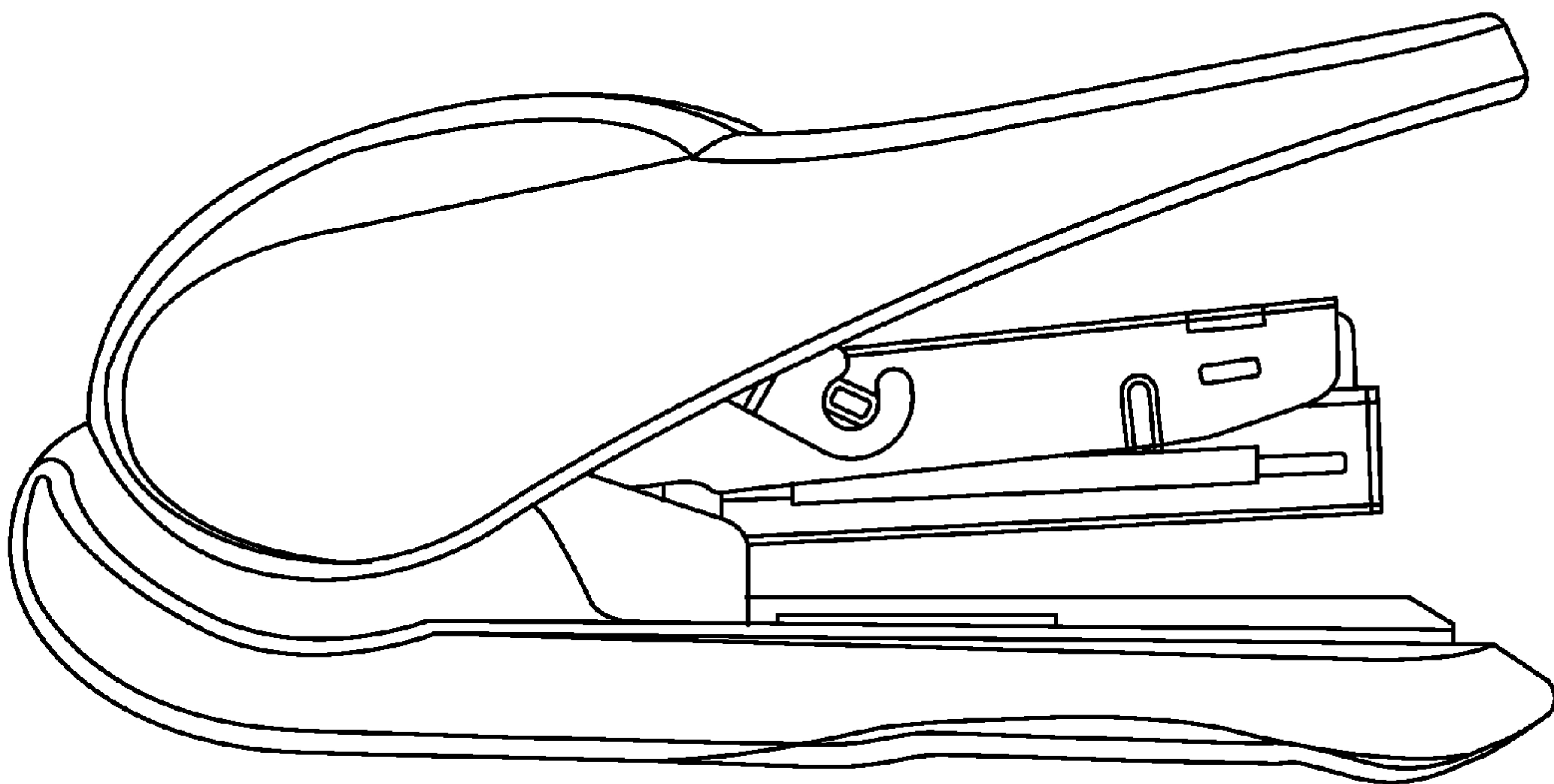


FIG. 2

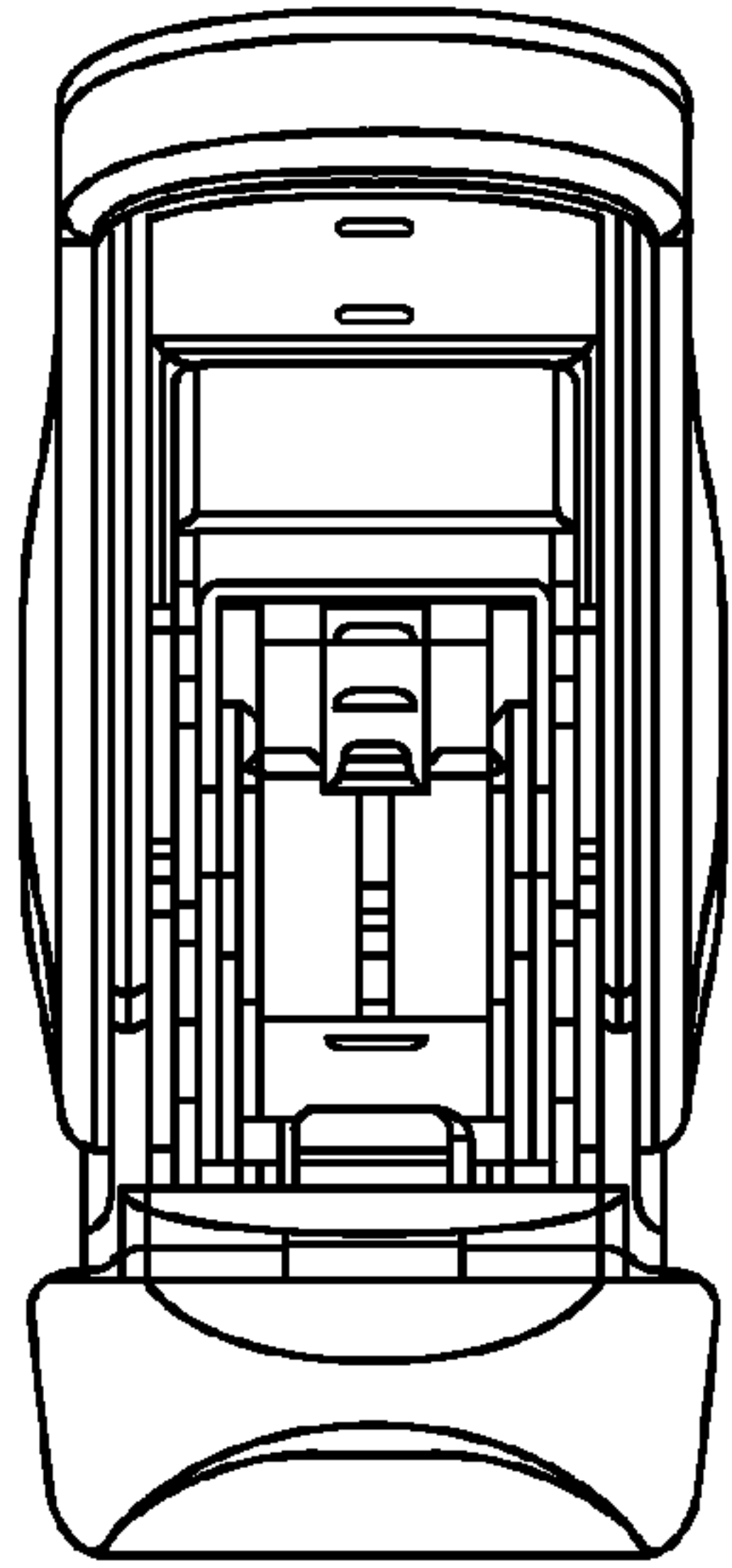


FIG. 3

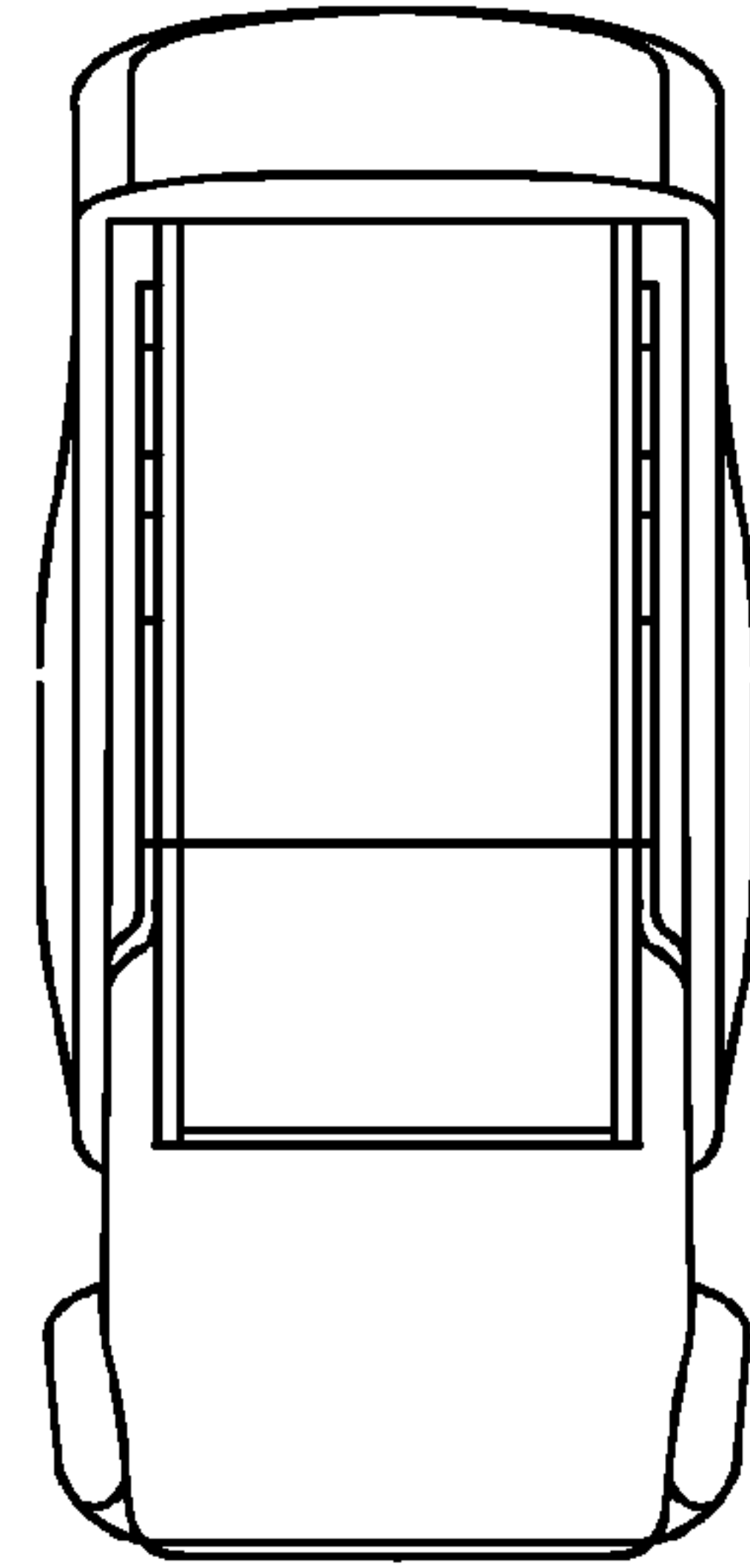


FIG. 4

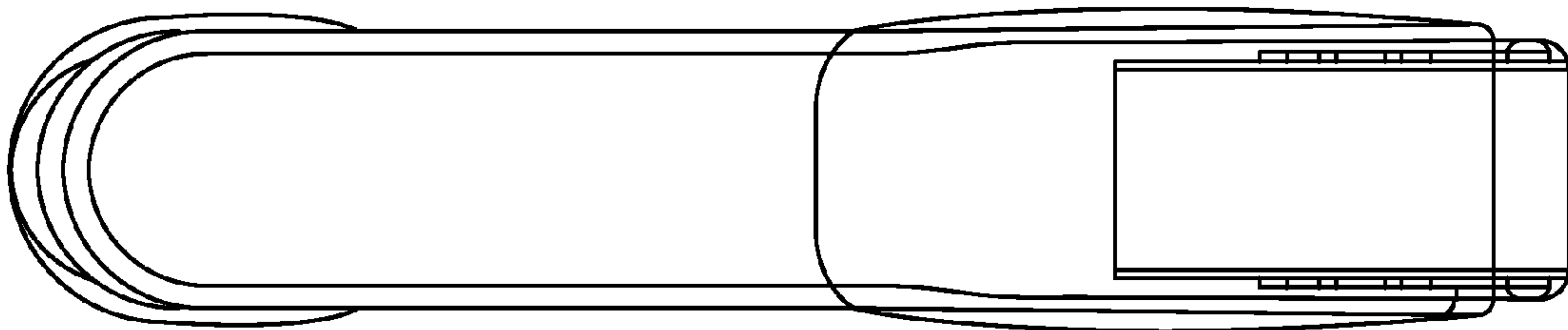


FIG. 5

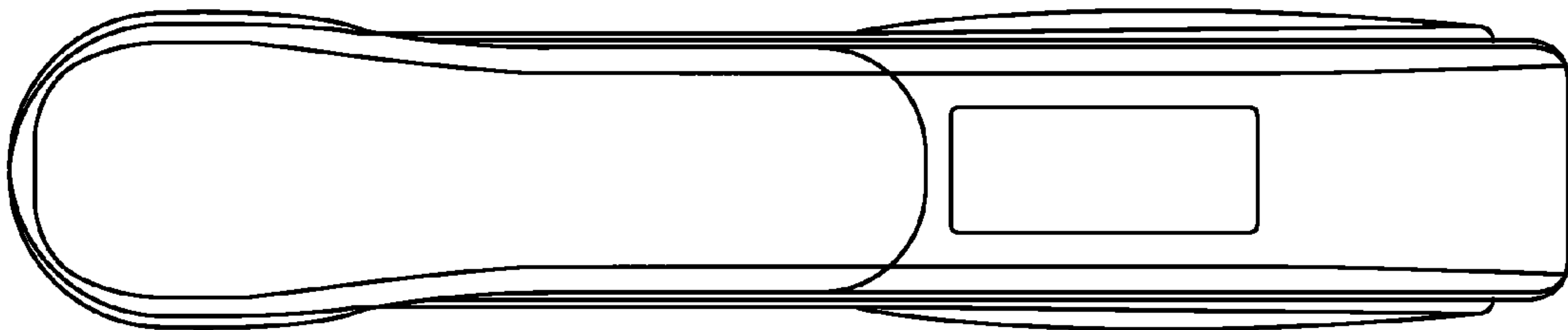


FIG. 6

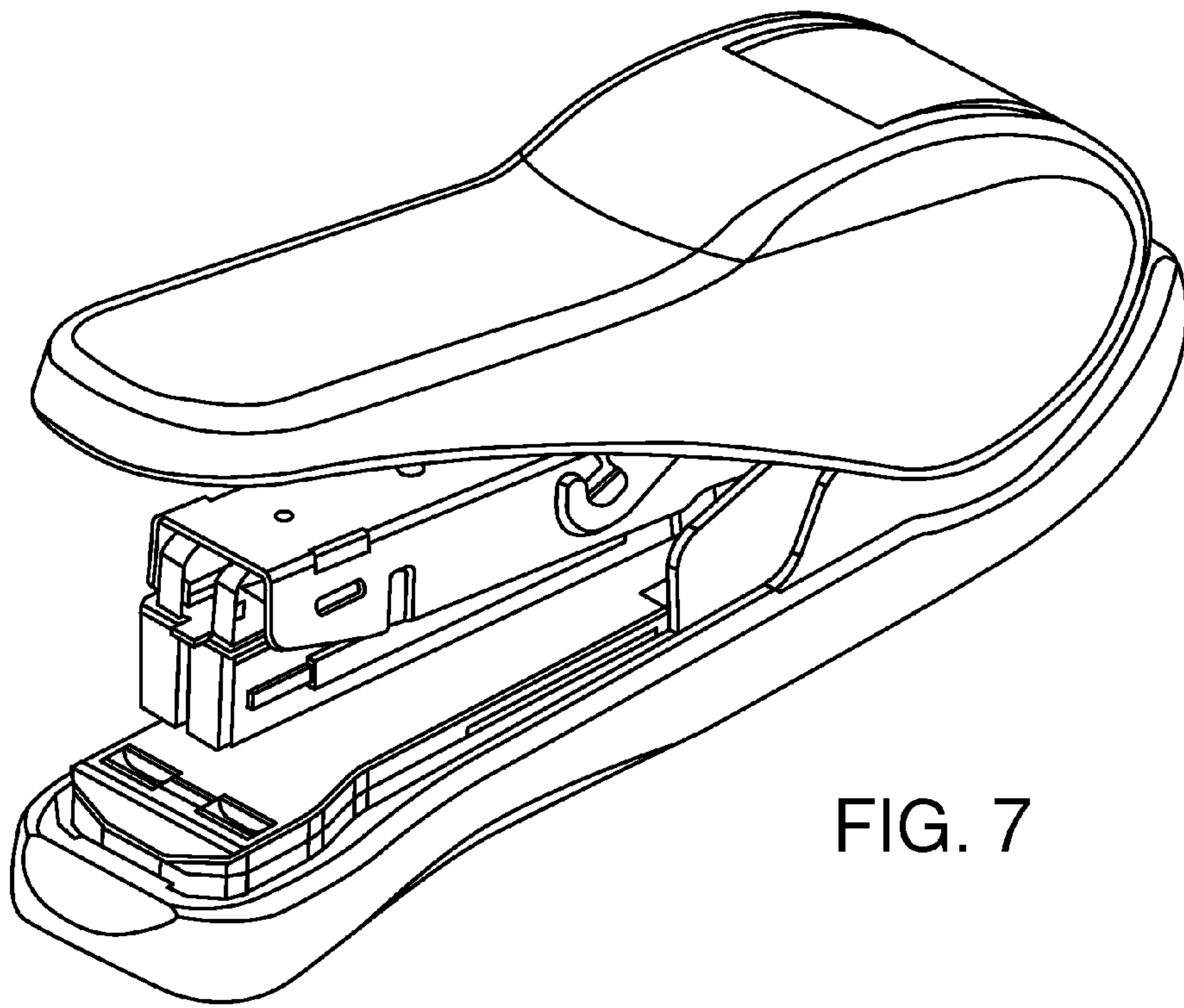


FIG. 7

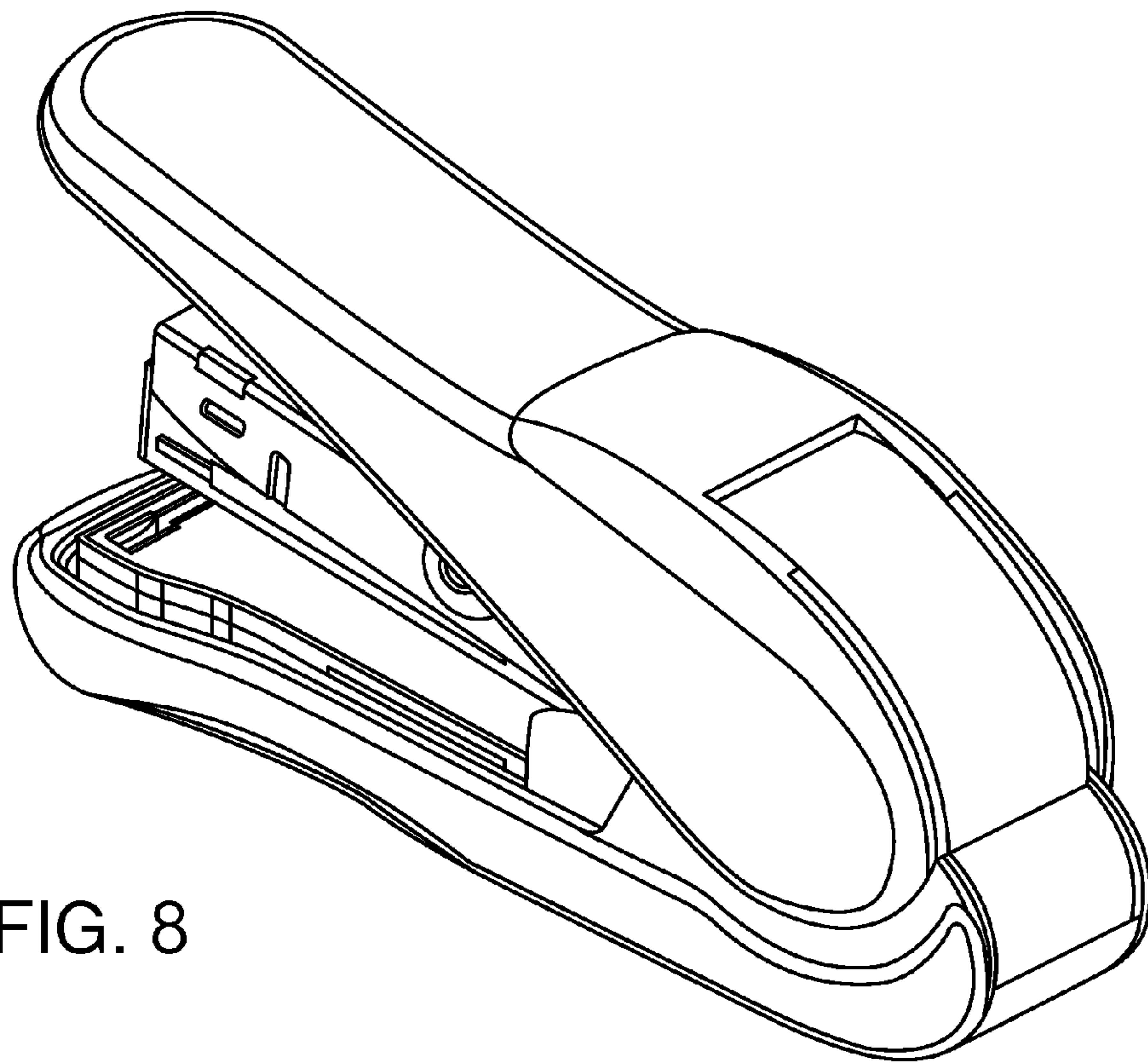


FIG. 8

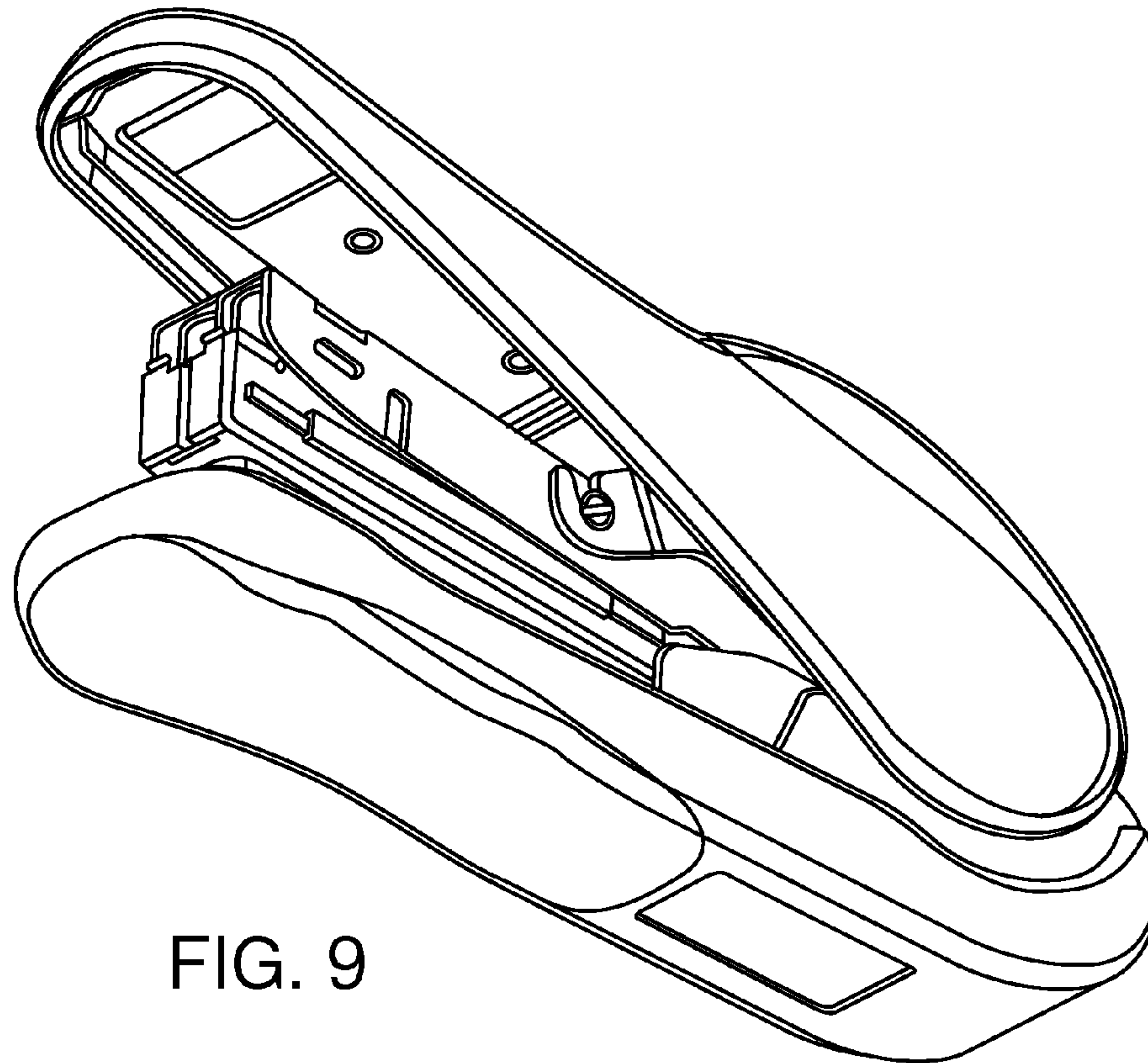


FIG. 9

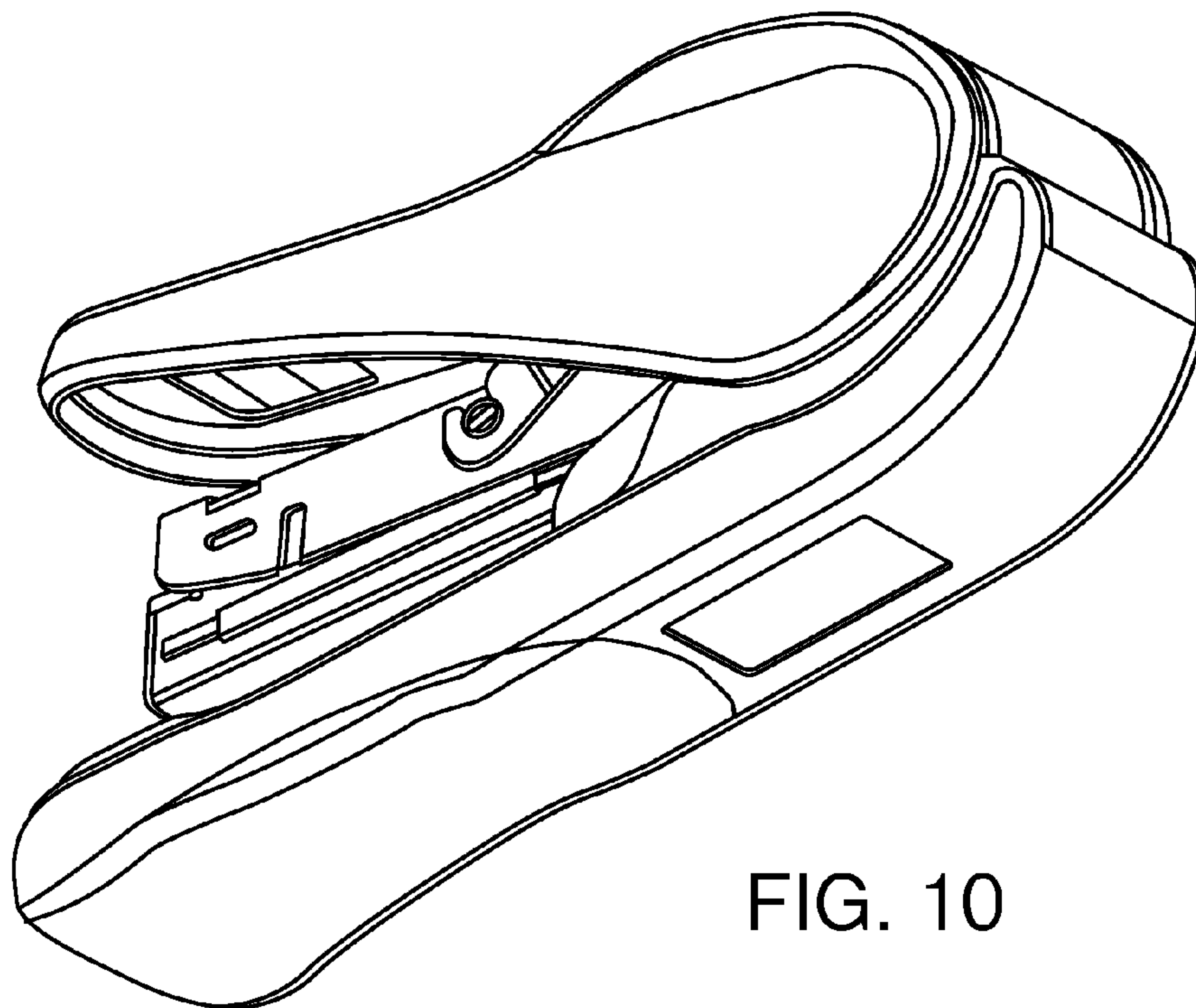


FIG. 10