



US00D587536S

(12) **United States Design Patent**
Guide, Jr. et al.

(10) **Patent No.:** **US D587,536 S**
(45) **Date of Patent:** **** Mar. 3, 2009**

(54) **BARBECUE ASSEMBLY**

(75) Inventors: **William Guide, Jr.**, Mokena, IL (US);
Steven Bolek, Homer Glen, IL (US)

(73) Assignee: **Pit Crew Barbeque, LLC**, Summit, IL (US)

(**) Term: **14 Years**

(21) Appl. No.: **29/306,497**

(22) Filed: **Apr. 10, 2008**

(51) **LOC (9) Cl.** **07-02**

(52) **U.S. Cl.** **D7/683; D7/684**

(58) **Field of Classification Search** D7/680-696,
D7/395; 30/322, 323, 123, 142; 294/1.1,
294/2, 7, 8, 5, 26, 50, 55.5; 7/113, 164, 167
See application file for complete search history.

(56) **References Cited**

U.S. PATENT DOCUMENTS

D193,440 S *	8/1962	Vernon	D7/686
D258,940 S *	4/1981	Zelinski	D7/683
D272,406 S *	1/1984	Steiner	D7/683
D481,916 S *	11/2003	Kortleven et al.	D7/692
D525,836 S *	8/2006	Moore	D7/689

* cited by examiner

Primary Examiner—Terry A Wallace
(74) *Attorney, Agent, or Firm*—Banner & Witcoff, Ltd.

(57) **CLAIM**

We claim the ornamental design for a barbecue assembly, as shown and described.

DESCRIPTION

FIG. 1 is a perspective view of a barbecue assembly of the present claimed design;

FIG. 2 is a top view of the barbecue assembly shown in FIG. 1;

FIG. 3 is a bottom view of the barbecue assembly shown in FIG. 1;

FIG. 4 is a front view of the barbecue assembly shown in FIG. 1;

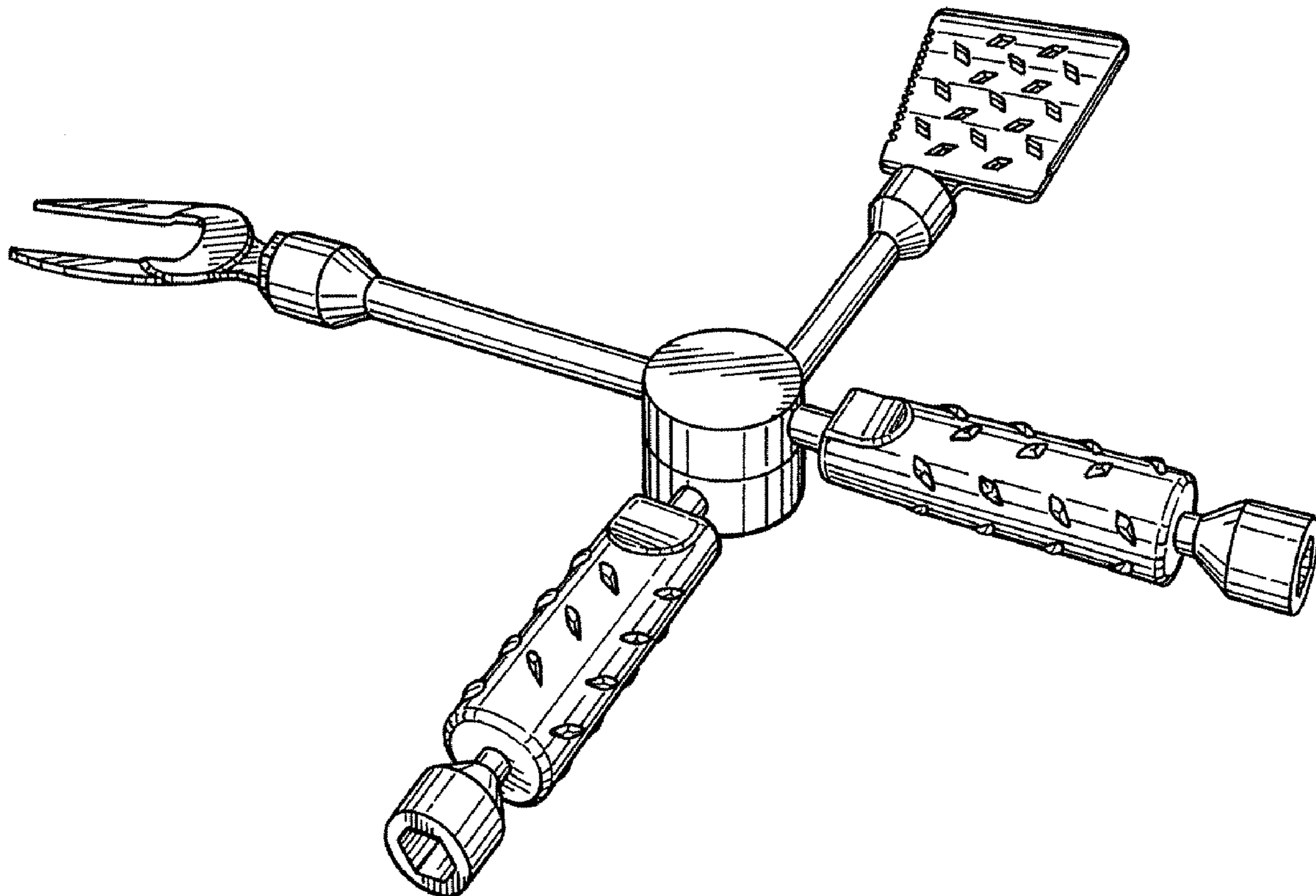
FIG. 5 is a rear view of the barbecue assembly shown in FIG. 1;

FIG. 6 is a left side view of the barbecue assembly shown in FIG. 1; and,

FIG. 7 is a right side view of the barbecue assembly shown in FIG. 1.

Features shown in broken lines in the drawings form no part of the claimed design.

1 Claim, 4 Drawing Sheets



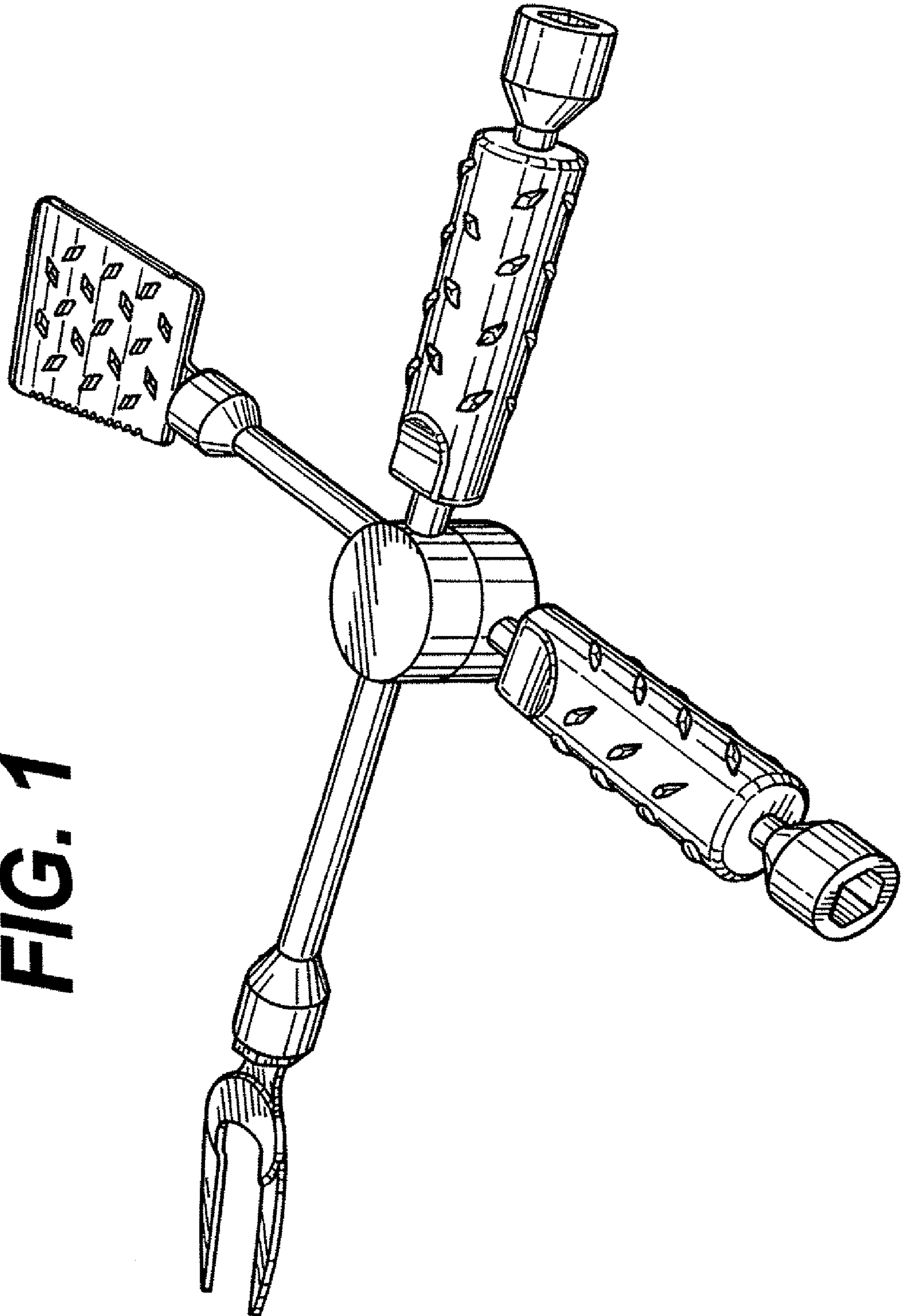


FIG. 1

FIG. 2

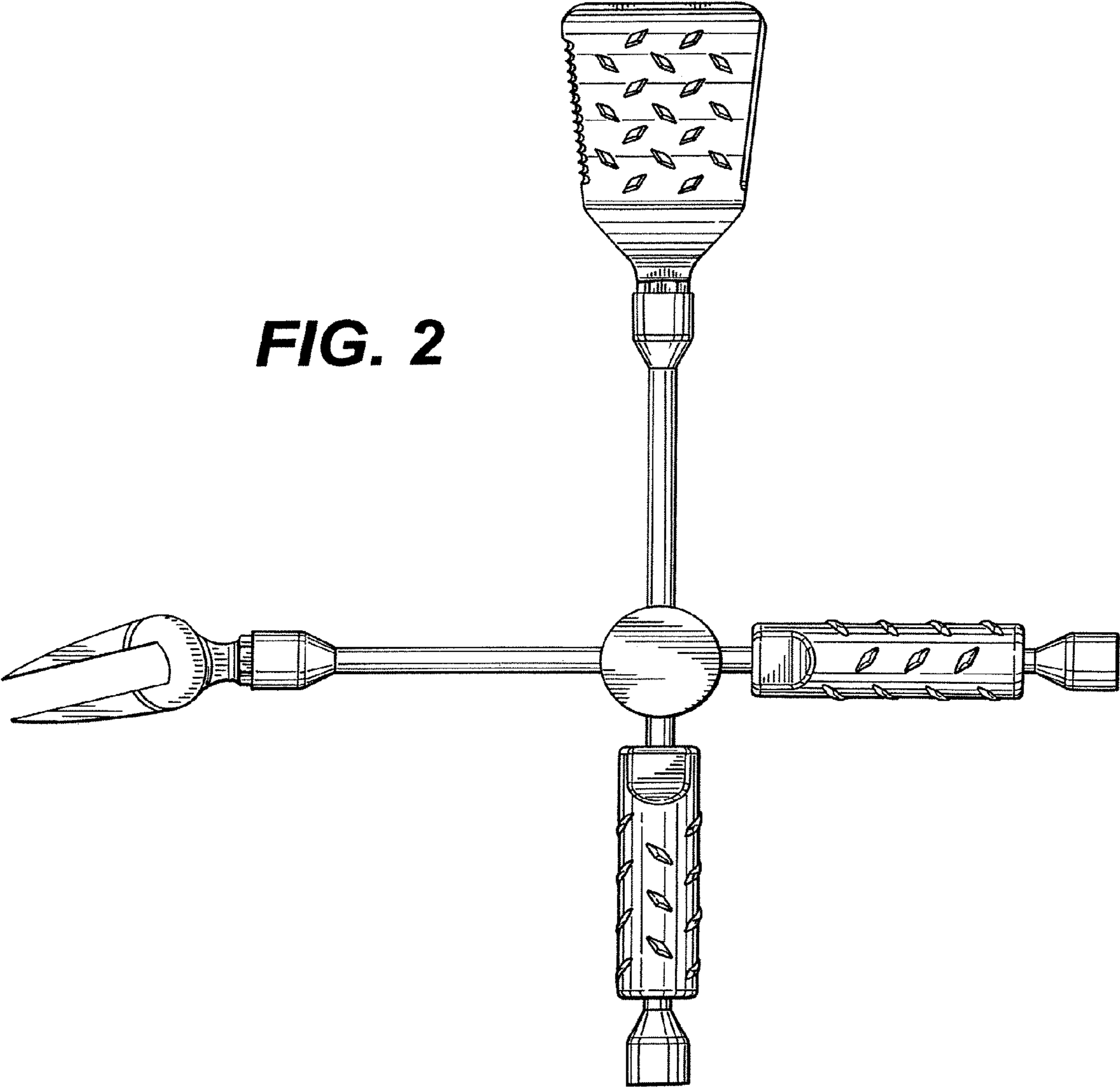


FIG. 3

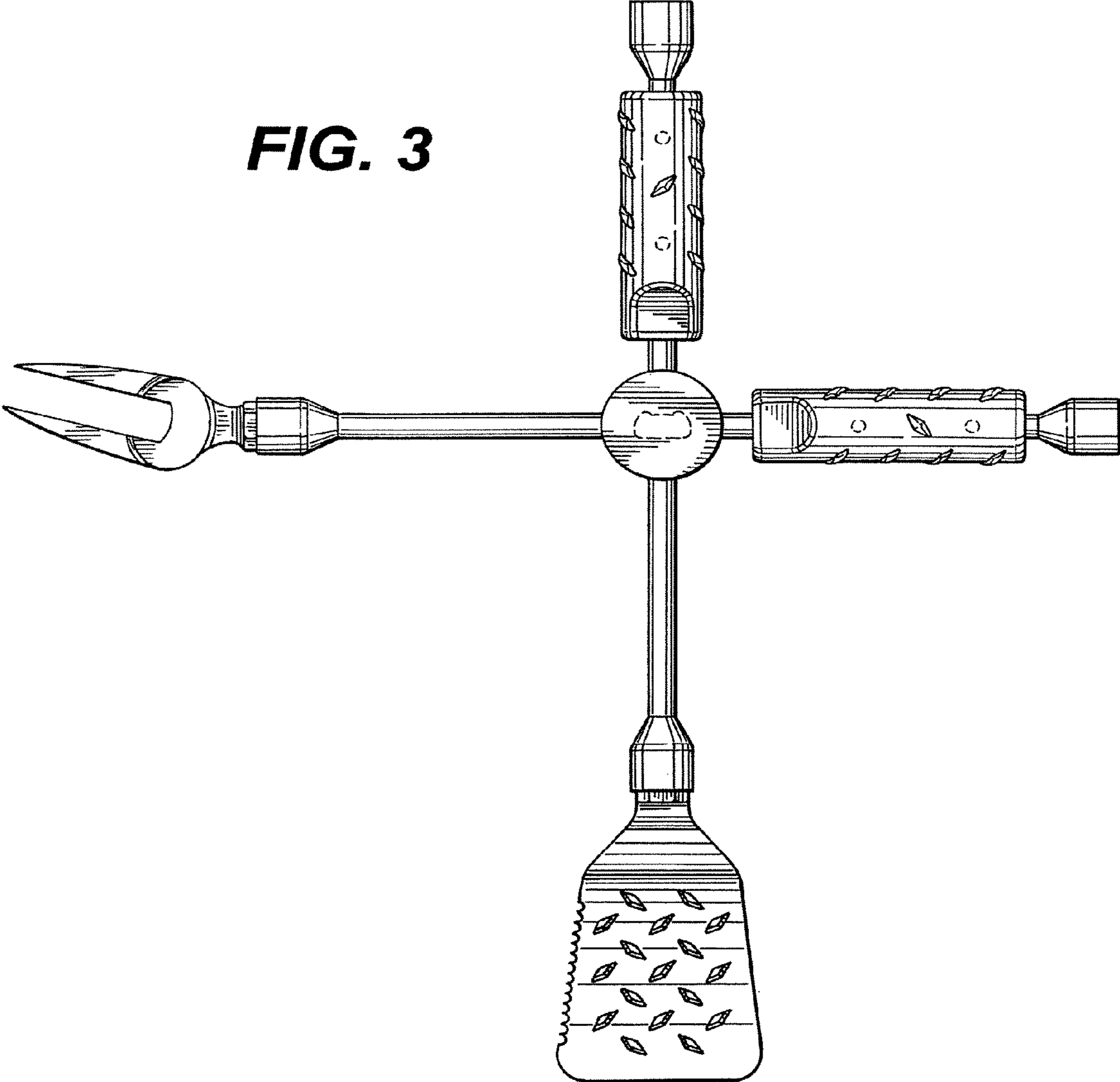


FIG. 4

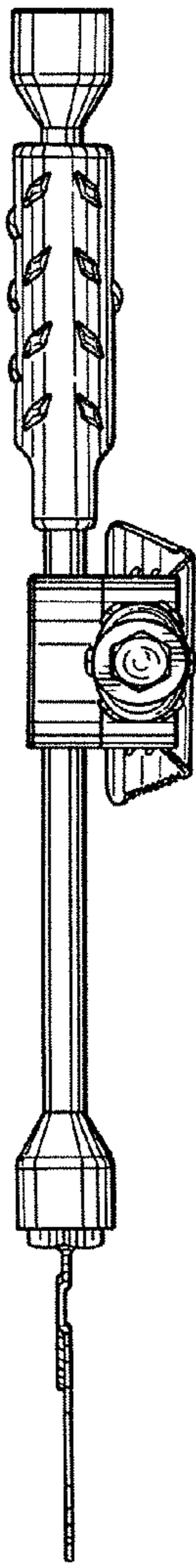


FIG. 5

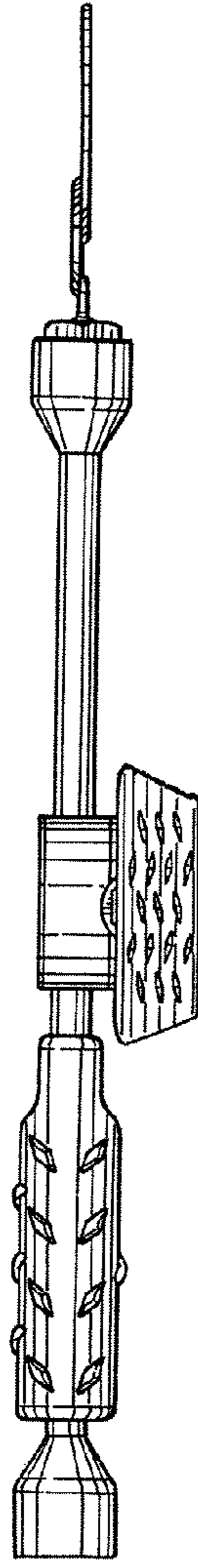


FIG. 6

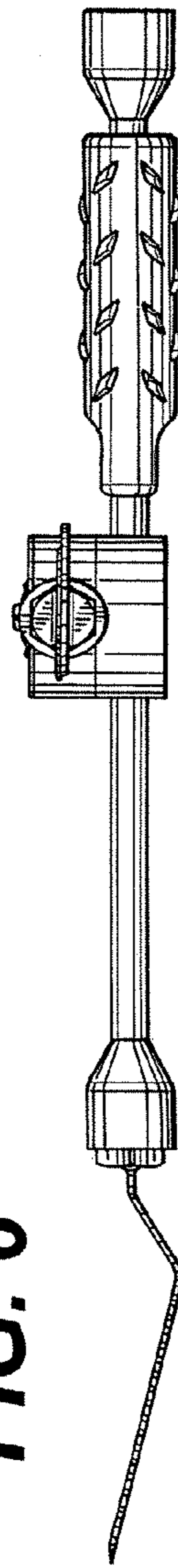


FIG. 7

