



US00D587534S

(12) **United States Design Patent**
Carreno

(10) **Patent No.:** **US D587,534 S**
(45) **Date of Patent:** **** Mar. 3, 2009**

(54) **FOOD JAR**

D503,589 S * 4/2005 Schuler D7/608
D530,161 S * 10/2006 Carreno et al. D7/629

(75) Inventor: **Alfredo Carreno**, Aurora, IL (US)

* cited by examiner

(73) Assignee: **Thermos L.L.C.**, Rolling Meadows, IL (US)

Primary Examiner—Terry A Wallace
(74) *Attorney, Agent, or Firm*—Wood, Phillips, Katz, Clark & Mortimer

(**) Term: **14 Years**

(21) Appl. No.: **29/294,705**

(57) **CLAIM**

(22) Filed: **Jan. 24, 2008**

The ornamental design of a food jar, as shown and described.

(51) **LOC (9) Cl.** **07-01**

(52) **U.S. Cl.** **D7/629; D7/608**

(58) **Field of Classification Search** D7/601,
D7/629, 602, 605–608, 709; 215/12.1, 12.2,
215/13.1; 62/457.1–457.9, 371, 372; D9/716,
D9/715, 443

See application file for complete search history.

DESCRIPTION

FIG. 1 is a perspective view from above and to the right of the food jar;

FIG. 2 is a perspective view from below and to the left of the food jar;

FIG. 3 is a front elevation view of the food jar;

FIG. 4 is a left side view of the food jar, with the right side view being a mirror image of FIG. 3;

FIG. 5 is a back elevation view of the food jar;

FIG. 6 is a top plan view of the food jar; and,

FIG. 7 is a bottom view of the food jar design.

It is to be understood that the broken lines are for illustrative purposes only and form no part of the claimed design.

(56) **References Cited**

U.S. PATENT DOCUMENTS

- 5,329,778 A * 7/1994 Padamsee 215/13.1
- 6,119,888 A * 9/2000 Goto et al. 220/592.27
- D432,367 S * 10/2000 Segura D7/608
- 6,530,496 B2 * 3/2003 Moran 220/592.17
- D479,785 S * 9/2003 Schuler D7/629
- D497,778 S * 11/2004 Rich D7/608

1 Claim, 3 Drawing Sheets

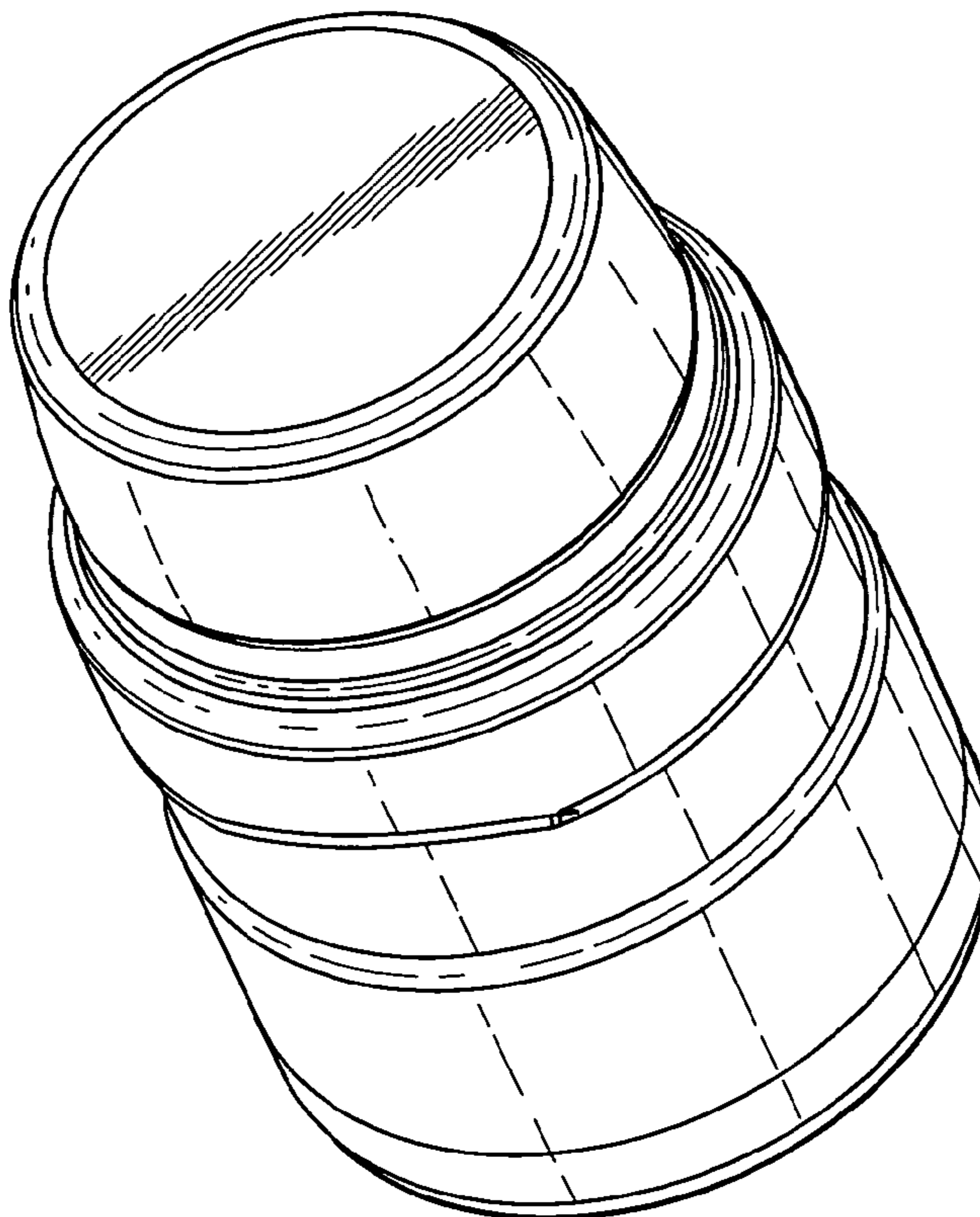


Fig. 1

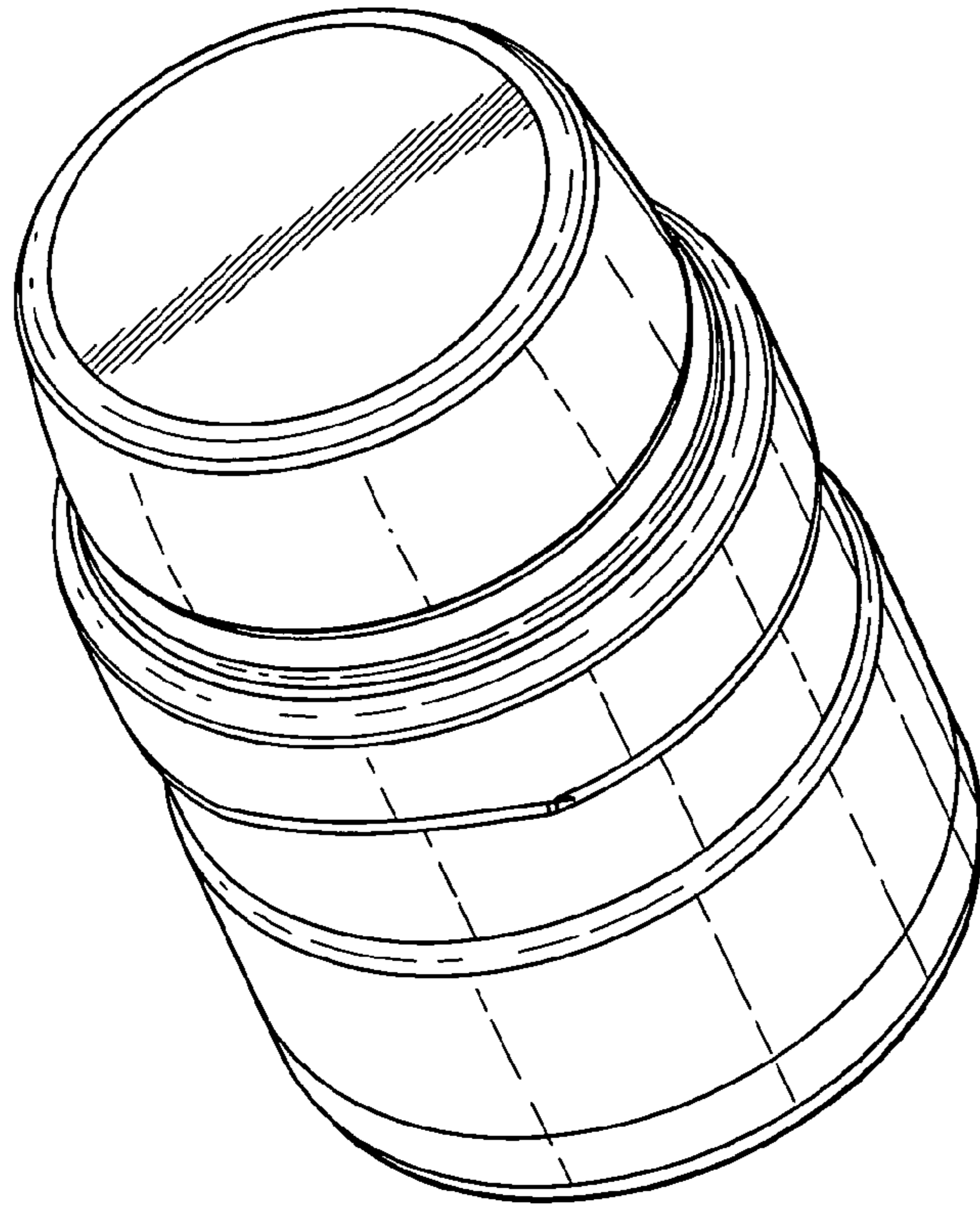


Fig. 2

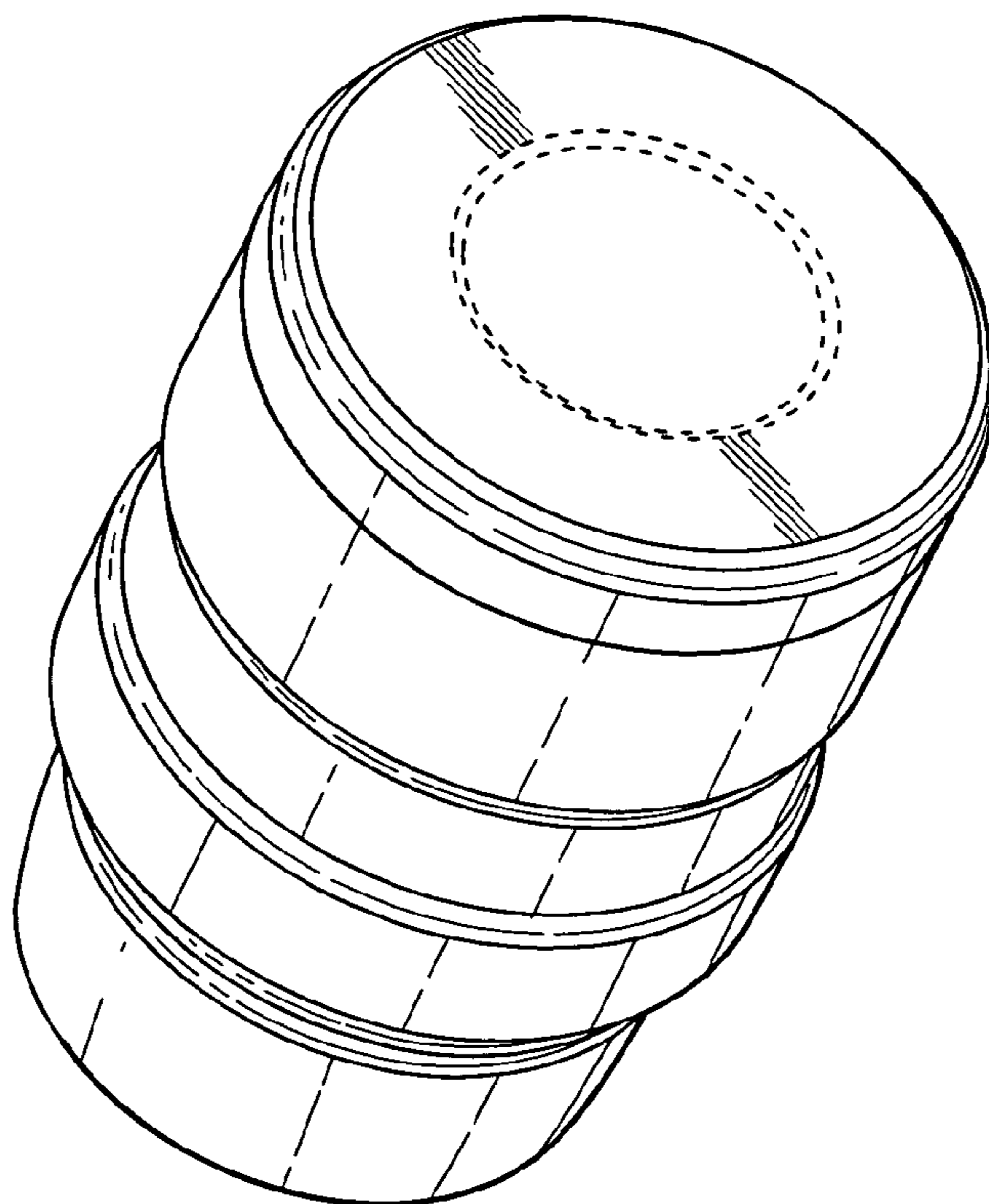


Fig. 3

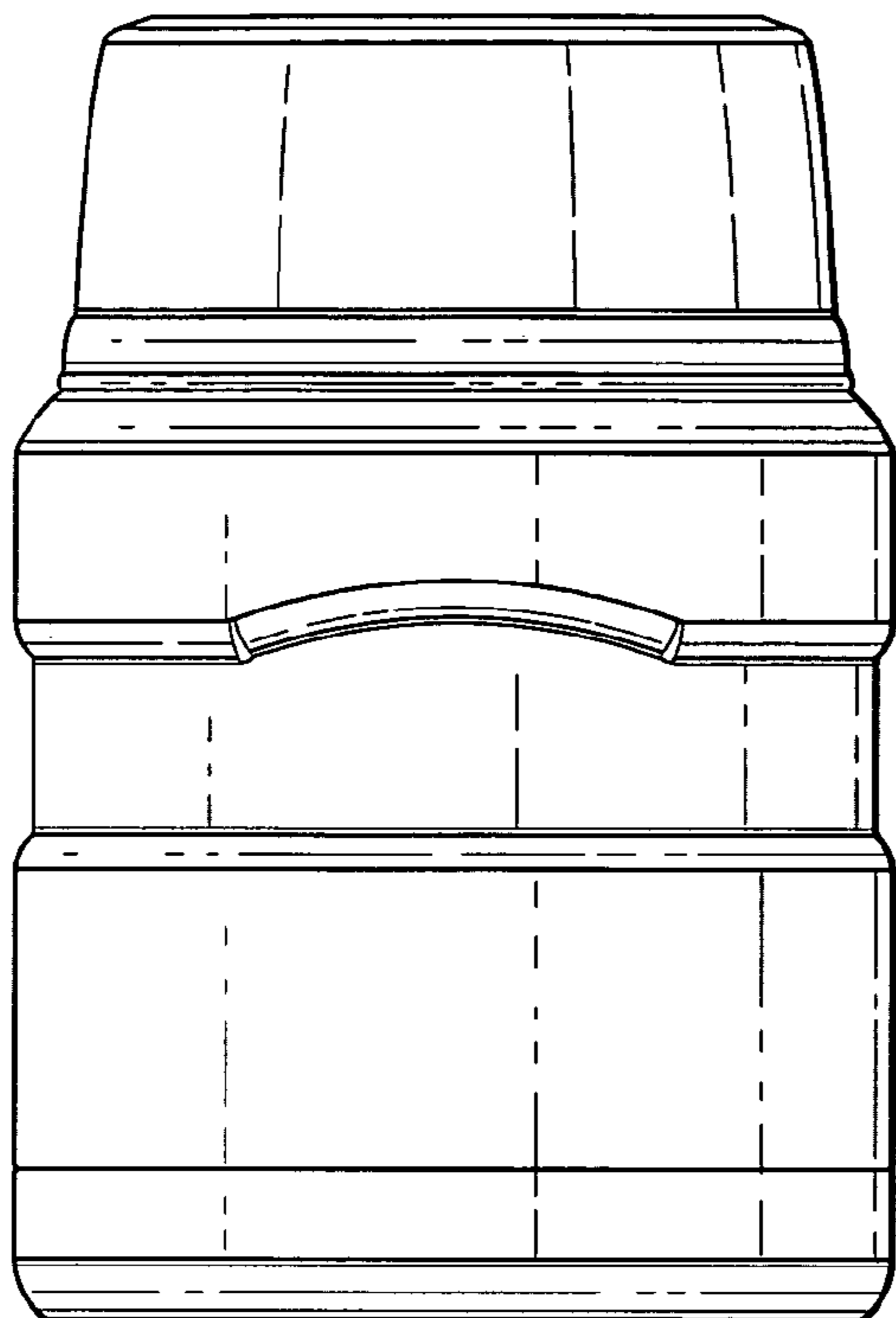


Fig. 4

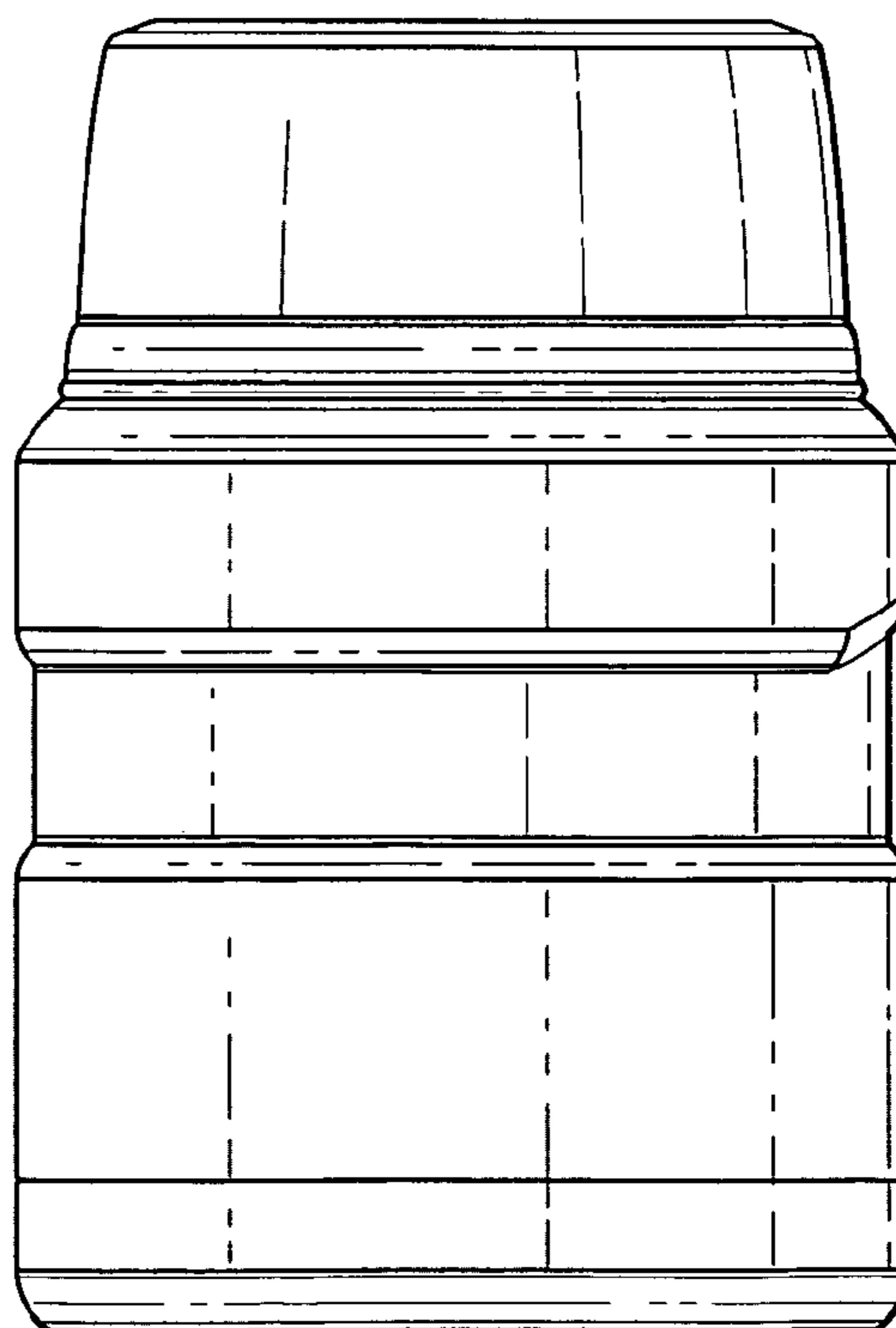


Fig. 5

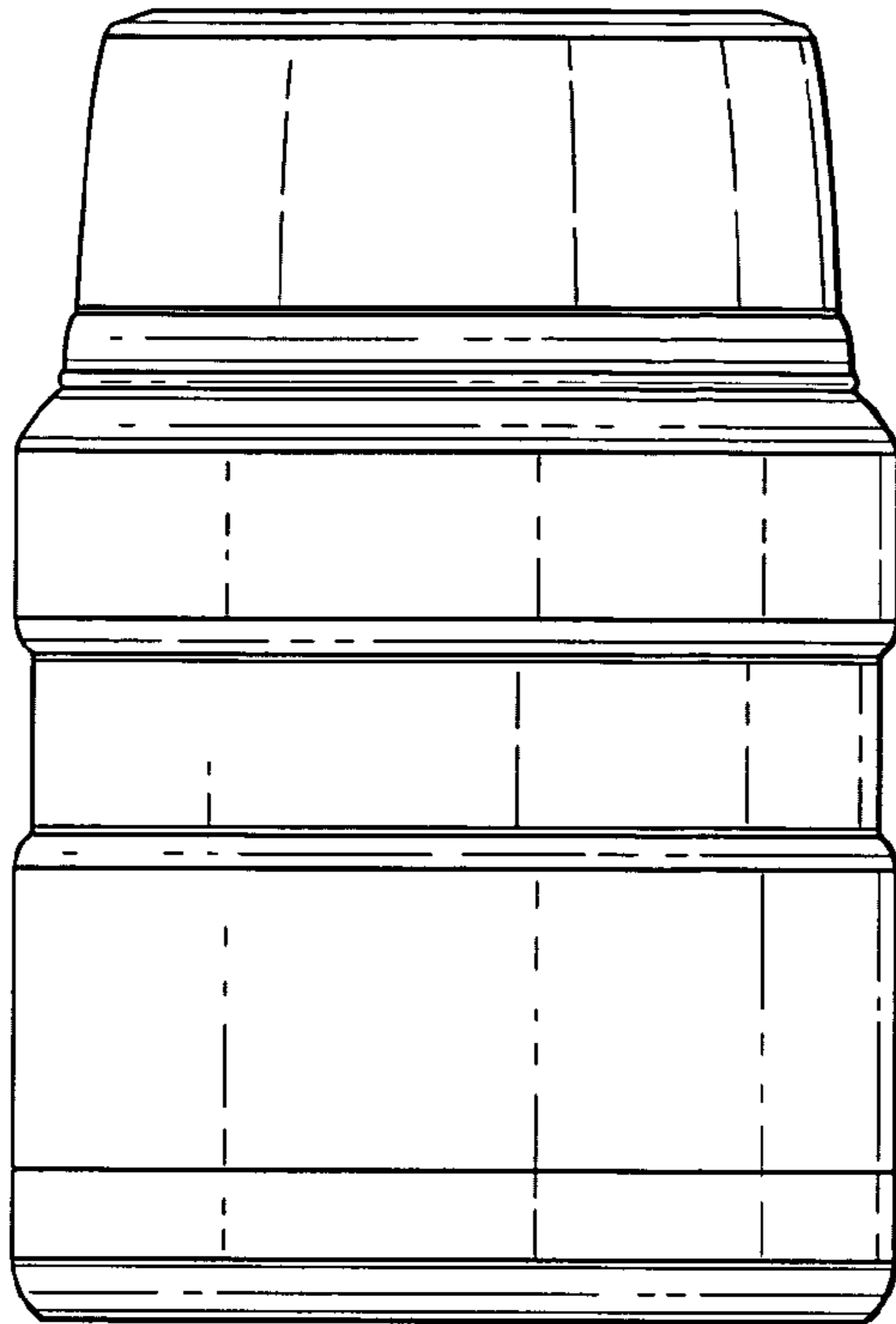


Fig. 6

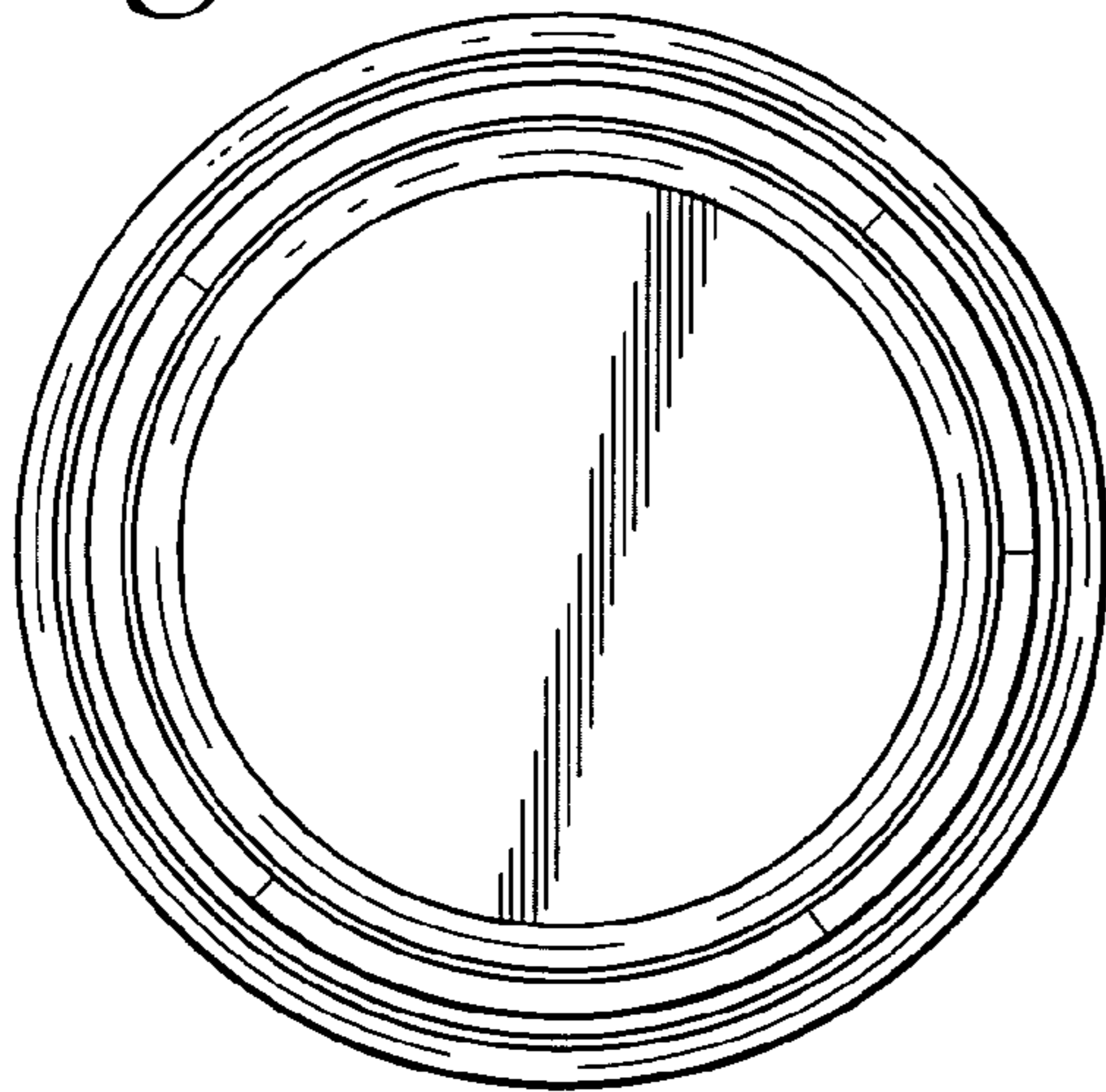


Fig. 7

