



US00D587533S

(12) **United States Design Patent**
Carreno

(10) **Patent No.:** **US D587,533 S**
(45) **Date of Patent:** **** Mar. 3, 2009**

(54) **BOTTLE**

(75) Inventor: **Alfredo Carreno**, Aurora, IL (US)

(73) Assignee: **Thermos L.L.C.**, Rolling Meadows, IL (US)

(**) Term: **14 Years**

(21) Appl. No.: **29/294,706**

(22) Filed: **Jan. 24, 2008**

(51) **LOC (9) Cl.** **07-07**

(52) **U.S. Cl.** **D7/608**

(58) **Field of Classification Search** D7/605,
D7/608, 509-511, 317; D9/715, 716, 500,
D9/549; 215/13.1; 220/62.12, 592.16, 592.17,
220/592.2

See application file for complete search history.

(56) **References Cited**

U.S. PATENT DOCUMENTS

D422,455 S *	4/2000	Kato	D7/608
D538,111 S *	3/2007	Liu et al.	D7/608
D540,625 S *	4/2007	Sandberg	D7/608
D572,981 S *	7/2008	Carreno	D7/608

* cited by examiner

Primary Examiner—Lisa P Lichtenstein

(74) *Attorney, Agent, or Firm*—Wood, Phillips, Katz, Clark & Mortimer

(57) **CLAIM**

The ornamental design of a bottle, as shown and described.

DESCRIPTION

FIG. 1 is a perspective view from above and to the right of the bottle design;

FIG. 2 is a perspective view from below and to the left of the bottle design;

FIG. 3 is a front elevation view of the bottle design, with the back elevation view, left side view and right side view being identical to the front elevation view;

FIG. 4 is a top plan view of the bottle design; and,

FIG. 5 is a bottom view of the bottle design.

It is to be understood that the broken lines are for illustrative purposes only and form no part of the claimed design.

The broken line showing of the bottom portion of the bottle is included for the purpose of illustrating environmental structure and forms no part of the claimed design.

1 Claim, 3 Drawing Sheets

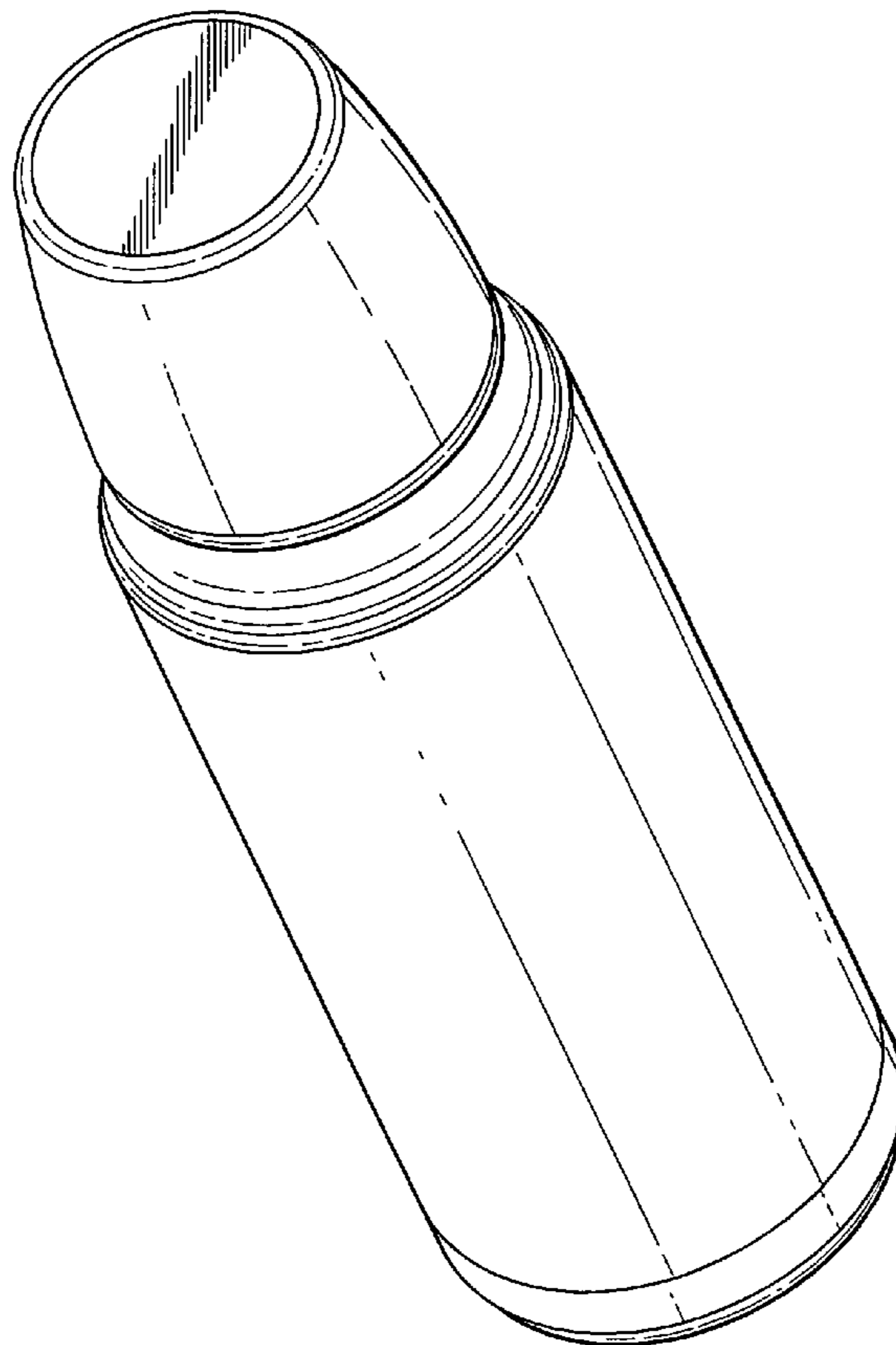


Fig. 1

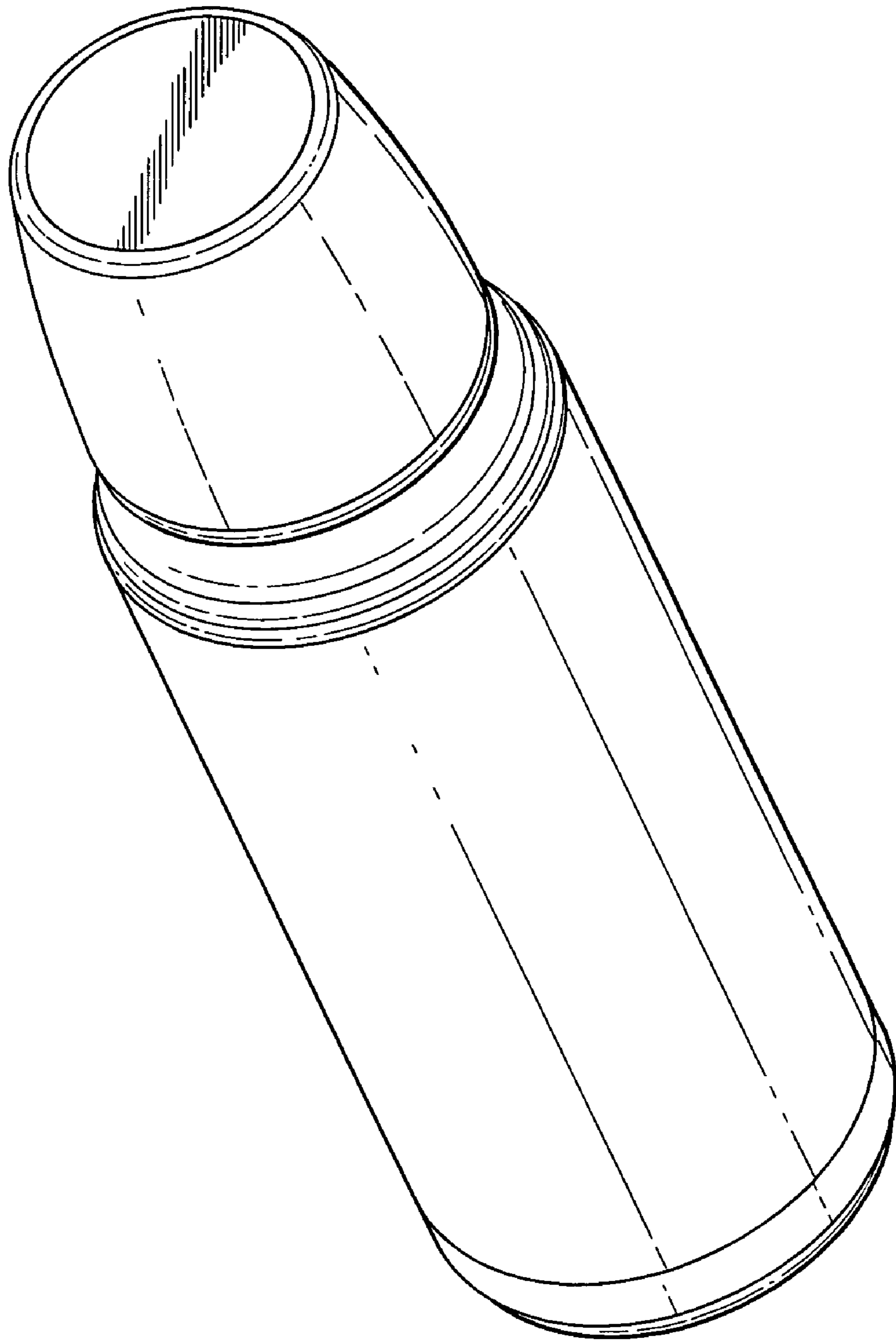


Fig. 2

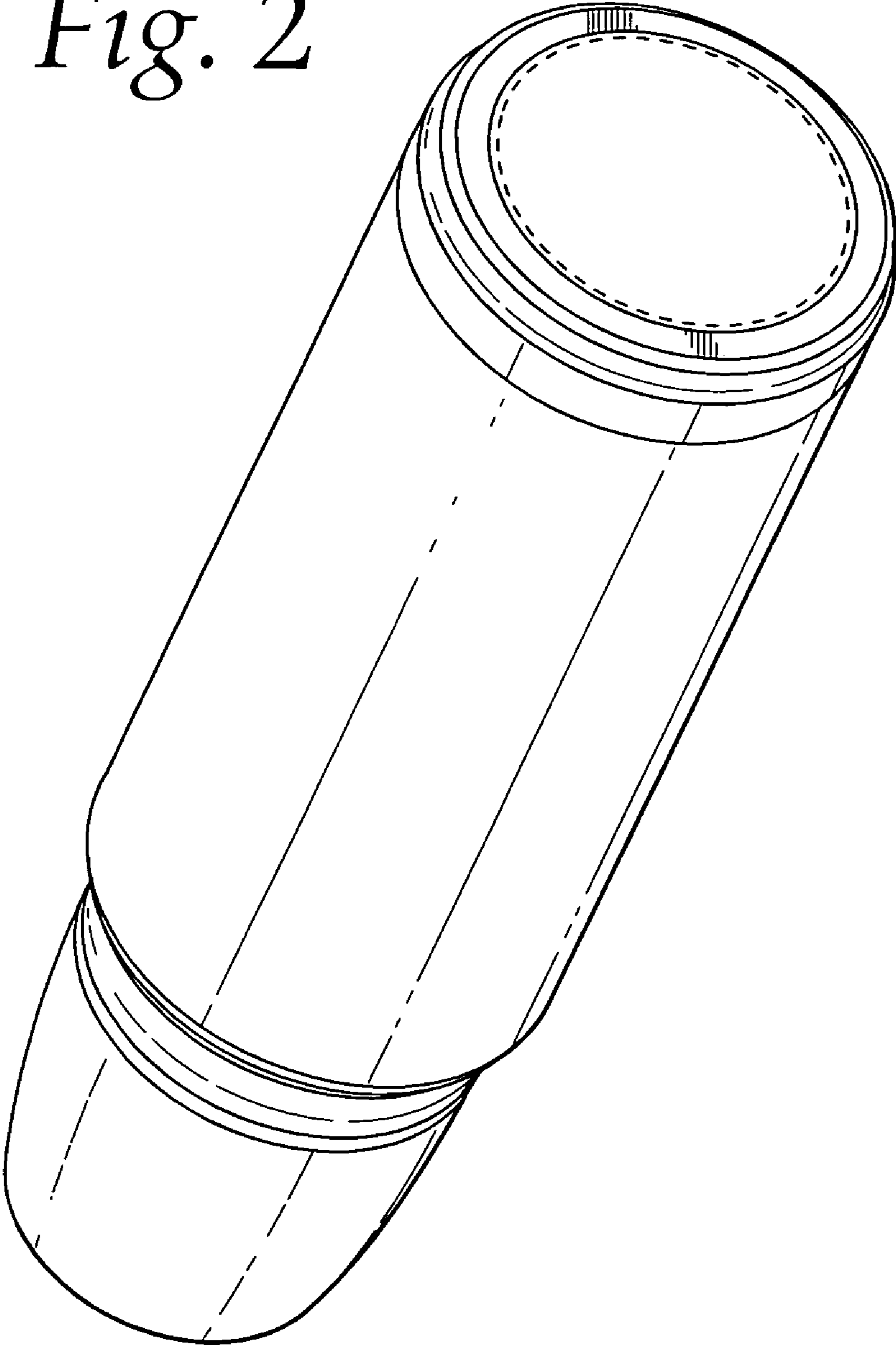


Fig. 3

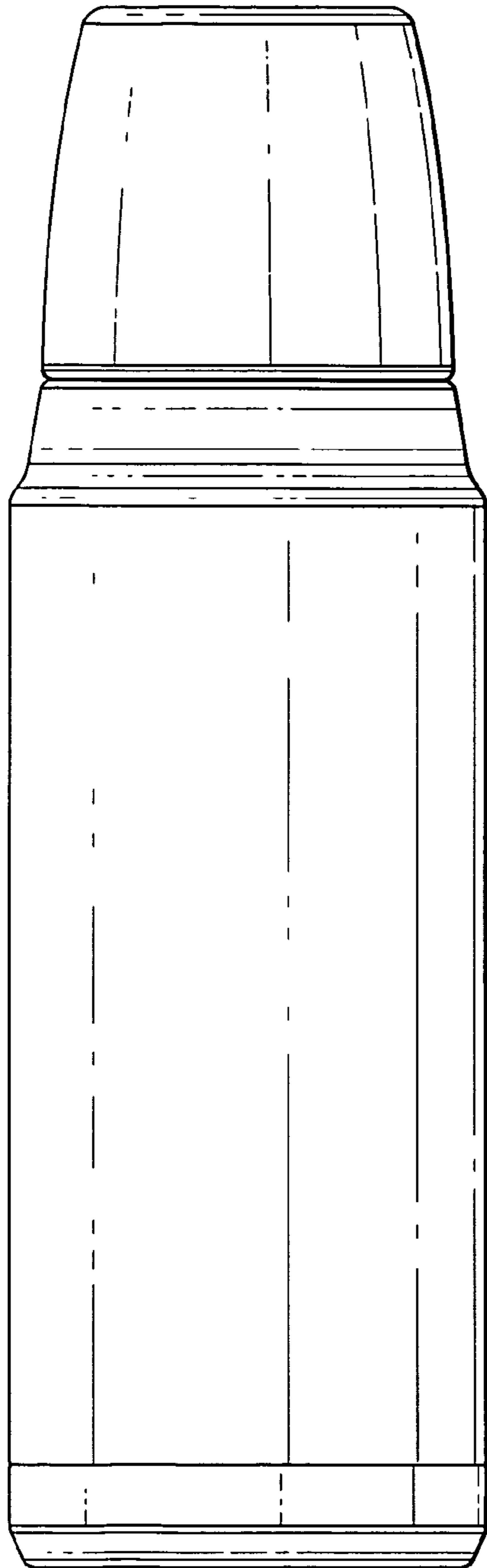


Fig. 4

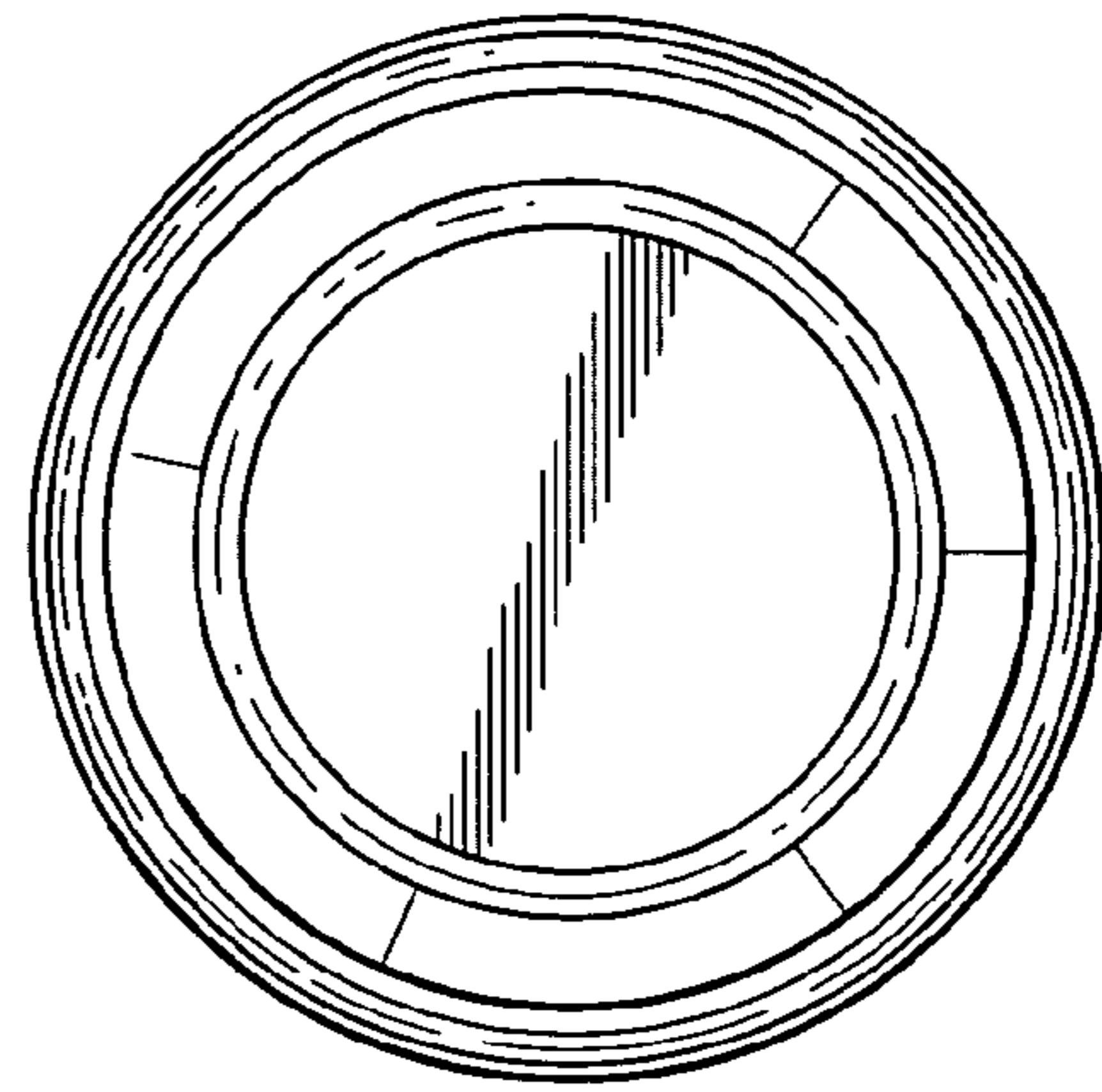


Fig. 5

