



US00D587528S

(12) **United States Design Patent**
Trombly

(10) **Patent No.:** **US D587,528 S**

(45) **Date of Patent:** **** *Mar. 3, 2009**

(54) **DOUBLE WALL MUG**

(75) **Inventor:** **Edgar F. Trombly**, Grosse Pointe Farms, MI (US)

(73) **Assignee:** **Punch Products USA, Inc.**, Rahway, NJ (US)

(*) **Notice:** This patent is subject to a terminal disclaimer.

(**) **Term:** **14 Years**

(21) **Appl. No.:** **29/303,591**

(22) **Filed:** **Feb. 12, 2008**

(51) **LOC (9) Cl.** **07-01**

(52) **U.S. Cl.** **D7/536**

(58) **Field of Classification Search** D7/535, D7/536, 533, 523, 509, 619.1, 602, 513; D9/500; D34/1; 62/457.3; 206/519; 229/400, 229/403; 215/387, DIG. 7; 220/62.18, 23.83, 220/592.16, 592.17, 507, 703, 710.5
See application file for complete search history.

(56) **References Cited**

U.S. PATENT DOCUMENTS

723,796 A * 3/1903 Williams 220/592.17
962,641 A * 6/1910 Kaufmann 220/703
993,174 A * 5/1911 Kidd 383/3
4,625,518 A * 12/1986 Freedman 62/1

D458,082 S * 6/2002 Gluck D7/510
D480,919 S * 10/2003 Bin D7/533
D493,332 S * 7/2004 Bin D7/510
7,168,583 B2 * 1/2007 Freeman 220/8
D553,437 S * 10/2007 Bodum D7/523
D557,563 S * 12/2007 Bodum D7/536
D557,564 S * 12/2007 Bodum D7/536
D567,590 S * 4/2008 Bodum D7/536
D569,192 S * 5/2008 Bodum D7/536

* cited by examiner

Primary Examiner—Philip S Hyder

Assistant Examiner—Cynthia Underwood

(74) *Attorney, Agent, or Firm*—Baker Botts L.L.P.

(57) **CLAIM**

The ornamental design for a double wall mug, as shown and described.

DESCRIPTION

FIG. 1 is a perspective view of the double wall mug showing my new design.

FIG. 2 is a left side view of the double wall mug of FIG. 1, the right side being identical.

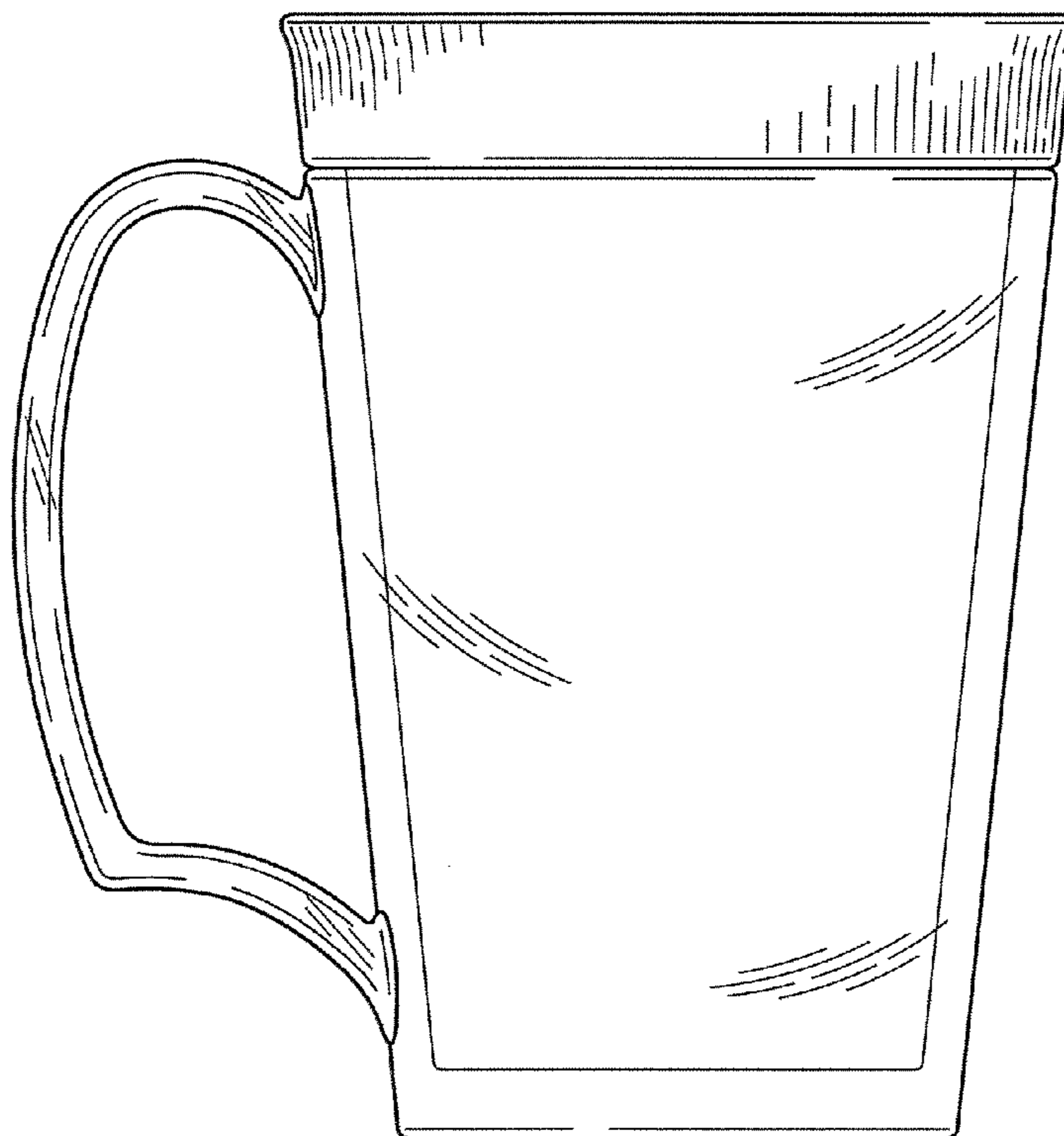
FIG. 3 is a front view of the double wall mug of FIG. 1.

FIG. 4 is a rear view of the double wall mug of FIG. 1.

FIG. 5 is a top view of the double wall mug of FIG. 1; and,

FIG. 6 is a bottom view of the double wall mug of FIG. 1.

1 Claim, 5 Drawing Sheets



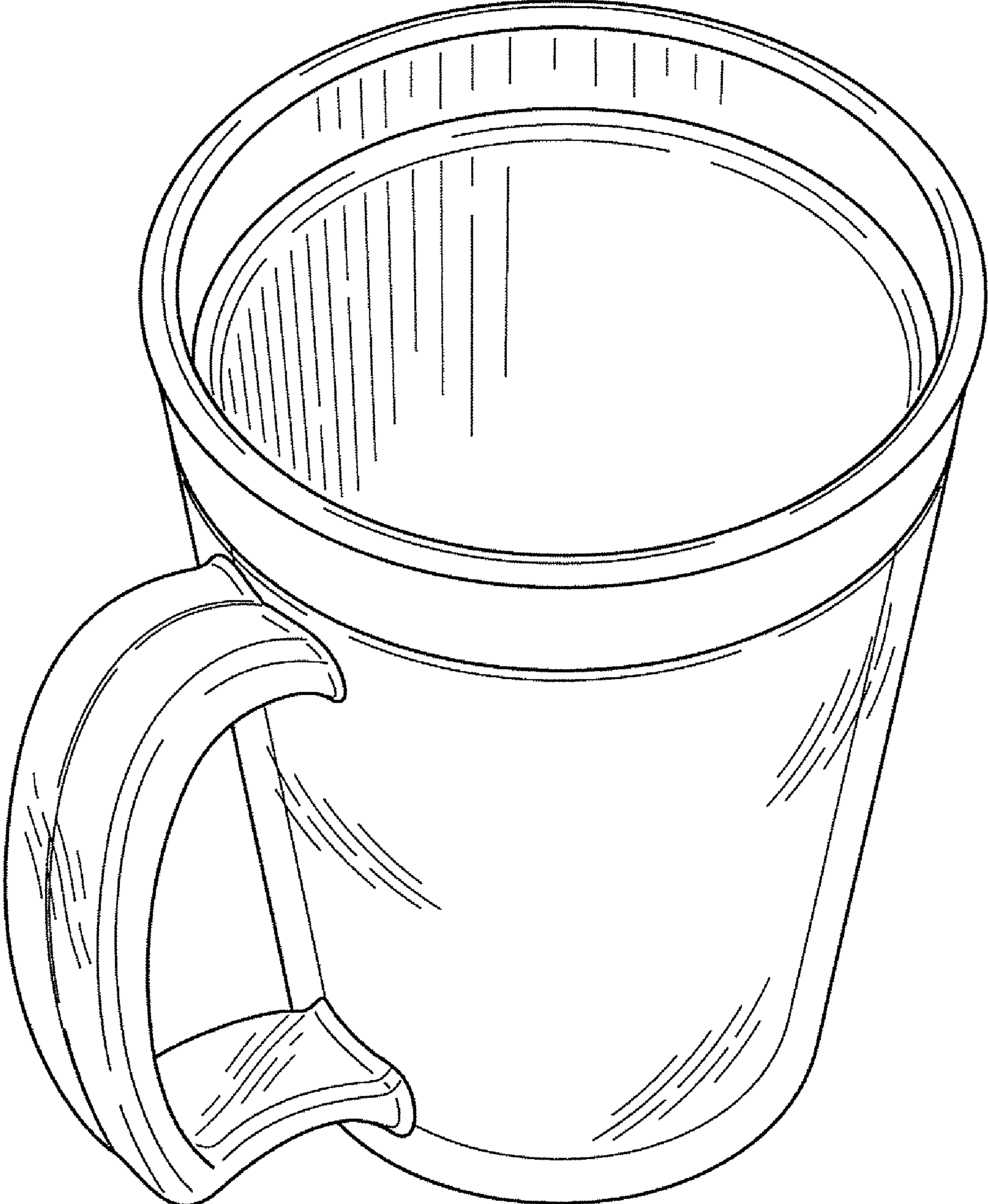


FIG. 1

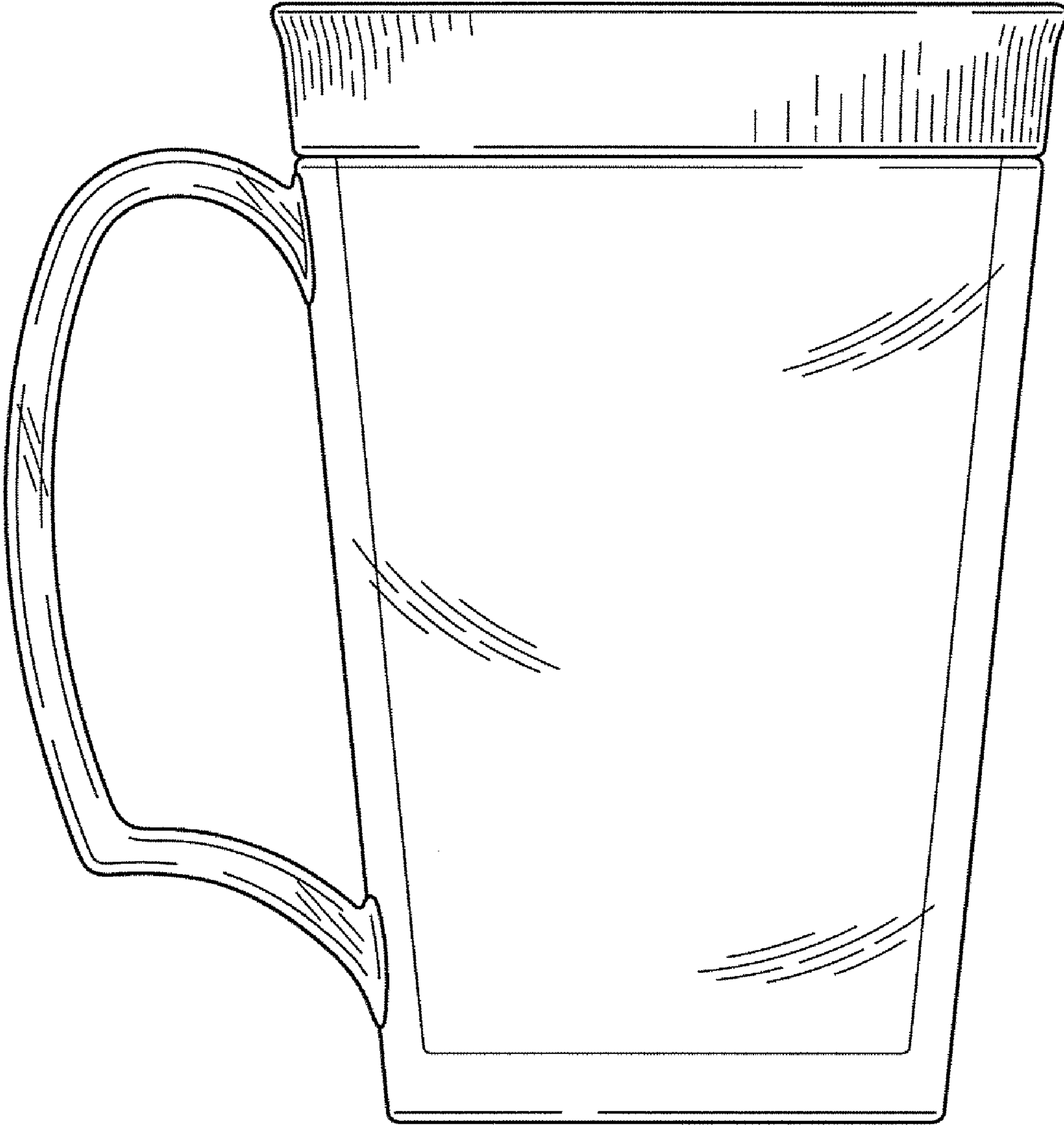


FIG. 2

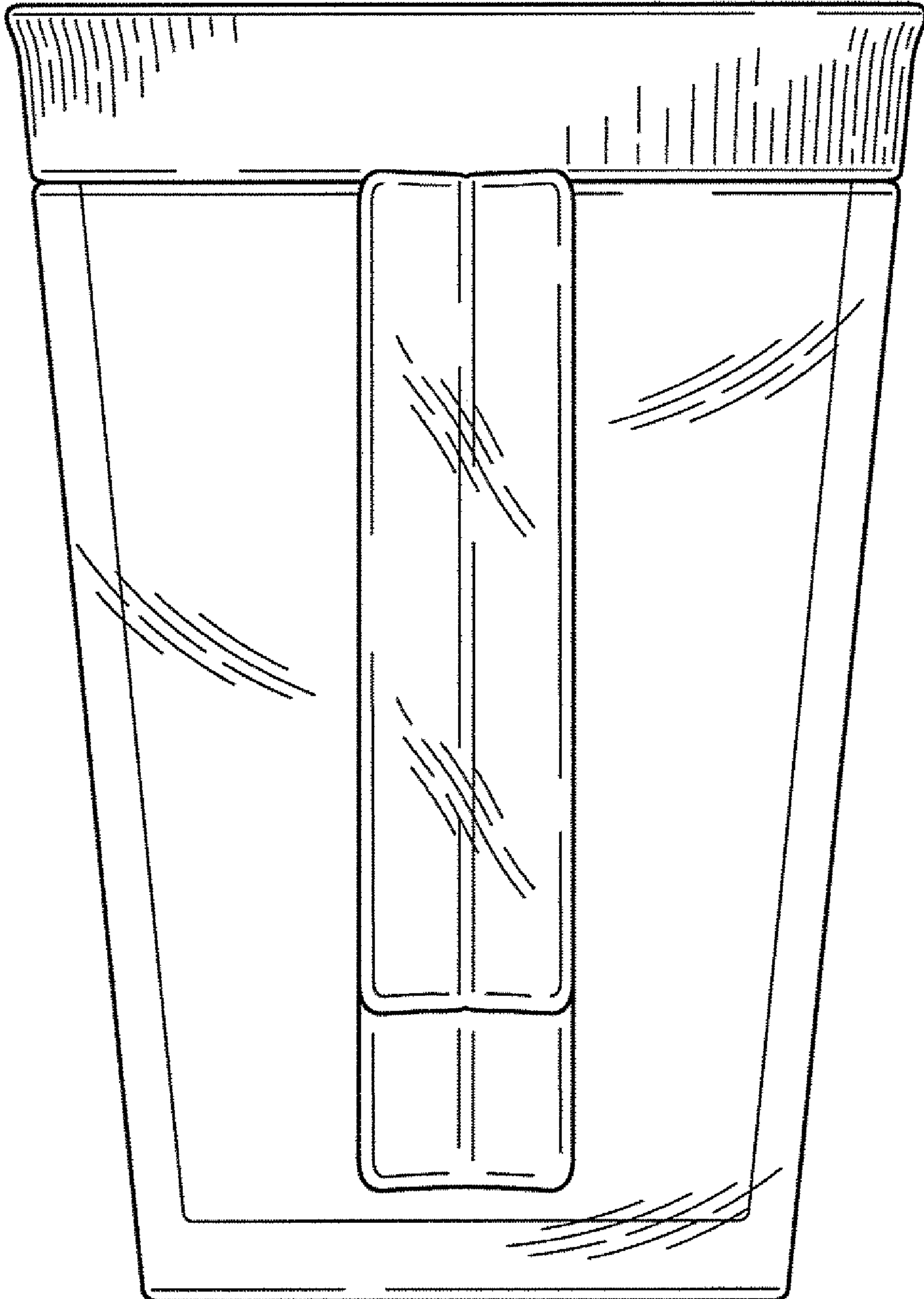


FIG. 3

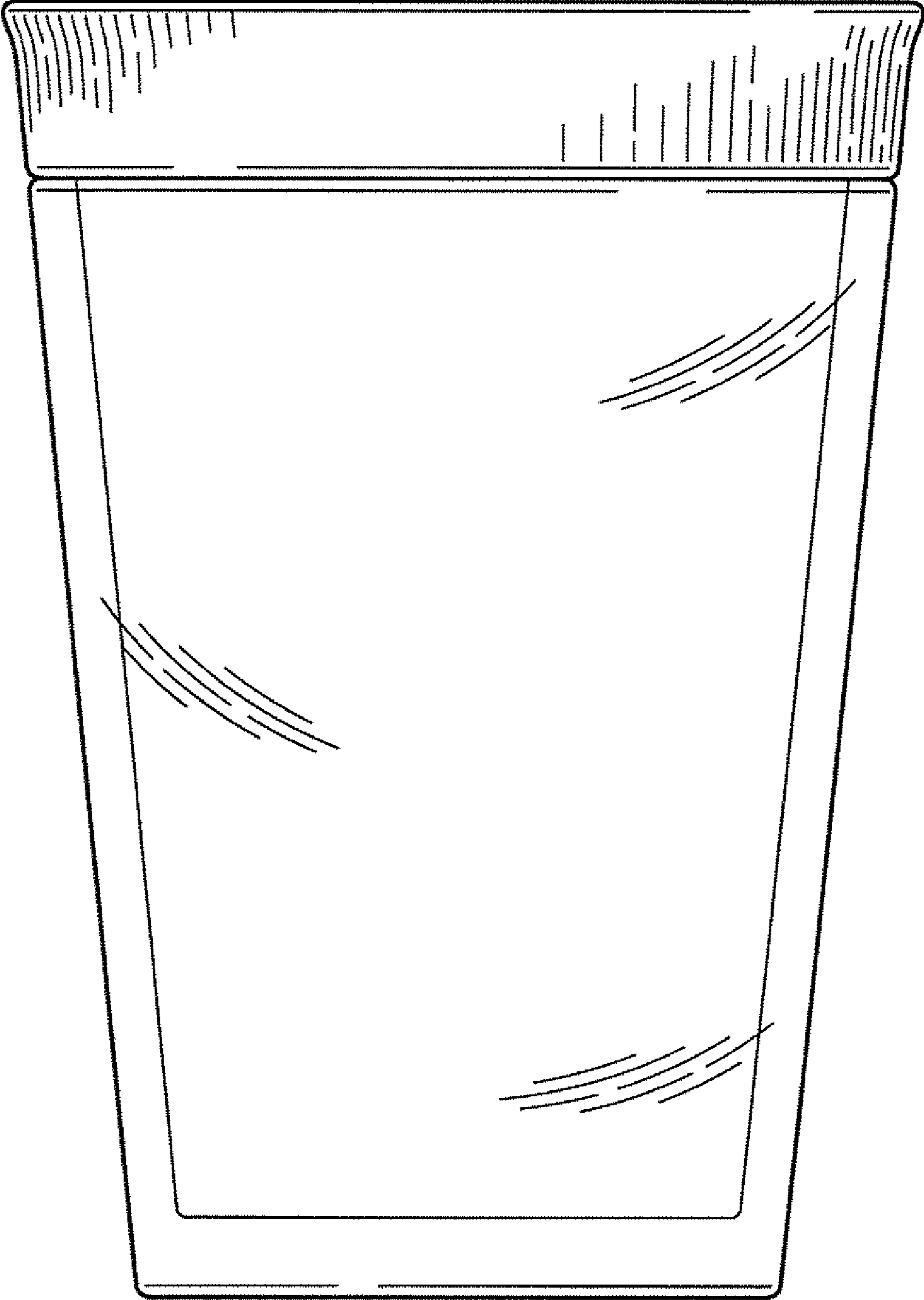


FIG. 4

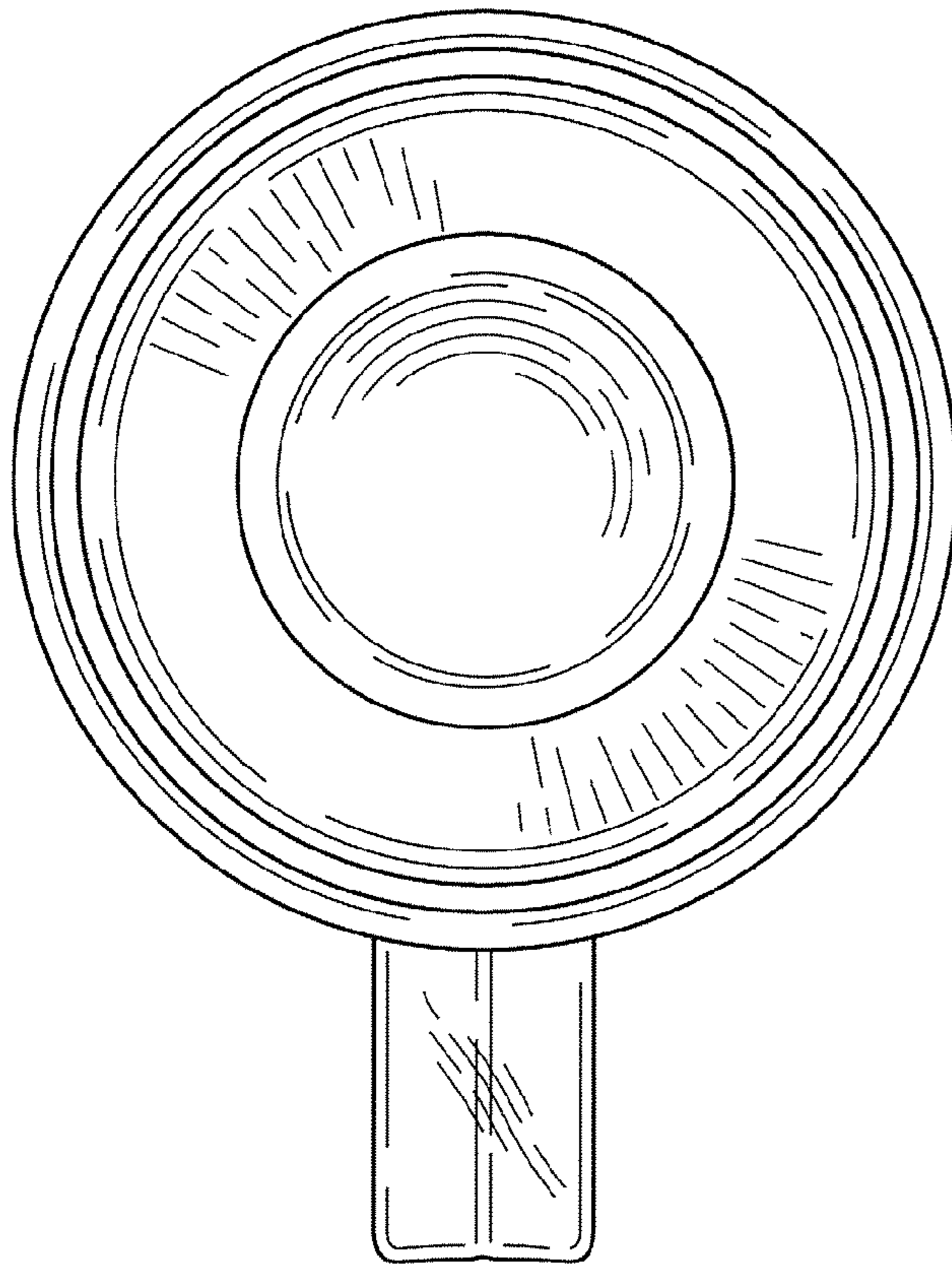


FIG. 5

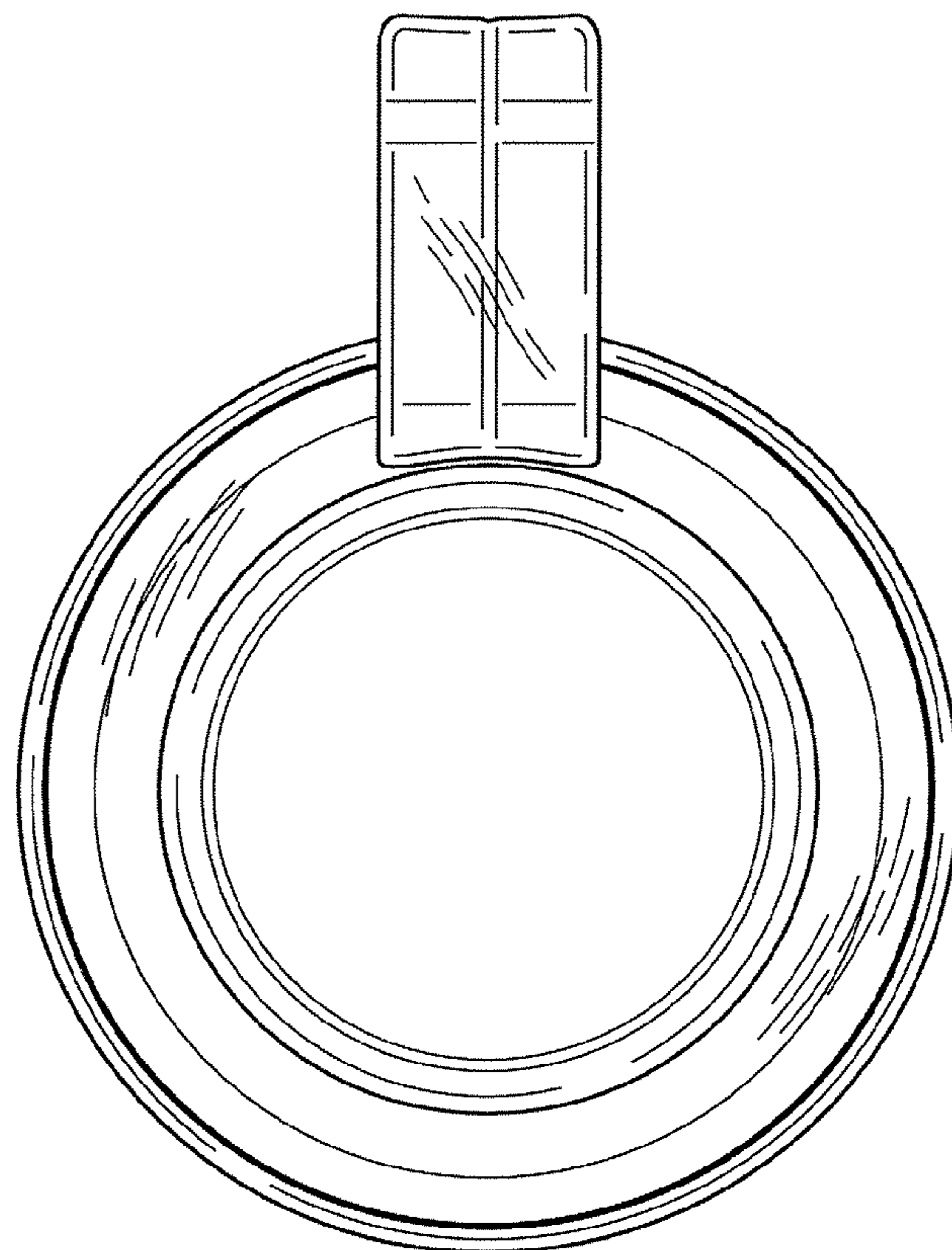


FIG. 6