



US00D587527S

(12) **United States Design Patent**  
**Wolhendler**

(10) **Patent No.:** **US D587,527 S**  
(45) **Date of Patent:** **\*\* Mar. 3, 2009**

(54) **TUMBLER**

(75) Inventor: **Saul Wolhendler**, Lakewood, NJ (US)

(73) Assignee: **EMI Yoshi Inc.**, No. Brunswick, NJ (US)

(\*\*) Term: **14 Years**

(21) Appl. No.: **29/293,708**

(22) Filed: **Dec. 10, 2007**

(51) **LOC (9) Cl.** ..... **07-01**

(52) **U.S. Cl.** ..... **D7/532; D7/509**

(58) **Field of Classification Search** ..... D7/507,  
D7/509, 533, 536, 510, 511, 505, 513, 529,  
D7/523, 531, 532; 248/37.6; 215/383; 220/705,  
220/710, 713, 710.5, 735, 703, 612; 206/520;  
229/400; D11/164; D10/46.2; 222/158  
See application file for complete search history.

(56) **References Cited**

**U.S. PATENT DOCUMENTS**

D57,156 S *	2/1921	Schaffer	.....	D34/1
D94,553 S *	2/1935	Marquot	.....	D7/531
D105,431 S *	7/1937	Cobel	.....	D7/531
D107,547 S *	12/1937	Peters	.....	D7/531
D289,484 S *	4/1987	Forquer et al.	.....	D7/532
D328,492 S *	8/1992	Mathis	.....	D24/121
D333,196 S *	2/1993	Dziersk et al.	.....	D34/1

D340,385 S *	10/1993	Durand	.....	D7/509
5,588,747 A *	12/1996	Blevins	.....	374/157
D431,478 S *	10/2000	Fortier	.....	D10/46.2
D440,651 S *	4/2001	Foran et al.	.....	D24/110
D529,340 S *	10/2006	Laib et al.	.....	D7/523
D529,761 S *	10/2006	Trombly	.....	D7/509
D545,625 S *	7/2007	Webb	.....	D7/523
D552,420 S *	10/2007	Liu	.....	D7/509
7,306,120 B2 *	12/2007	Hughes	.....	222/158
D559,039 S *	1/2008	Freeman	.....	D7/523
D559,040 S *	1/2008	Freeman	.....	D7/523
D574,192 S *	8/2008	Schosser	.....	D7/531

\* cited by examiner

*Primary Examiner*—Marianne Pandozzi

(74) *Attorney, Agent, or Firm*—Law Firm of Walter D. Ames

(57) **CLAIM**

The ornamental design for a tumbler, as shown.

**DESCRIPTION**

FIG. 1 is a perspective view of a tumbler showing my new design;

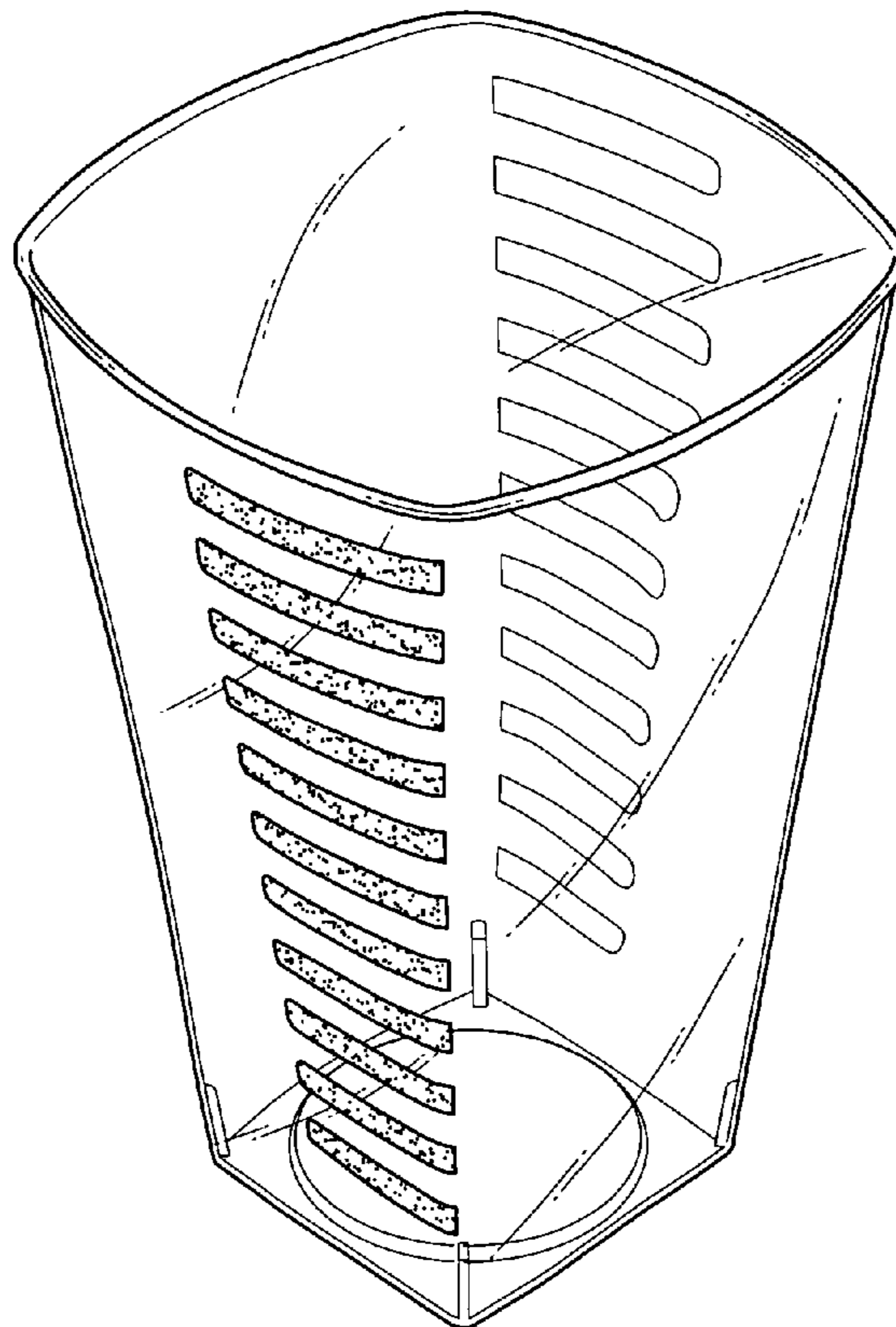
FIG. 2 is a side elevational view thereof;

FIG. 3 is a front elevational view thereof;

FIG. 4 is a bottom plan view of the tumbler; and,

FIG. 5 is a top plan view of the tumbler.

**1 Claim, 3 Drawing Sheets**



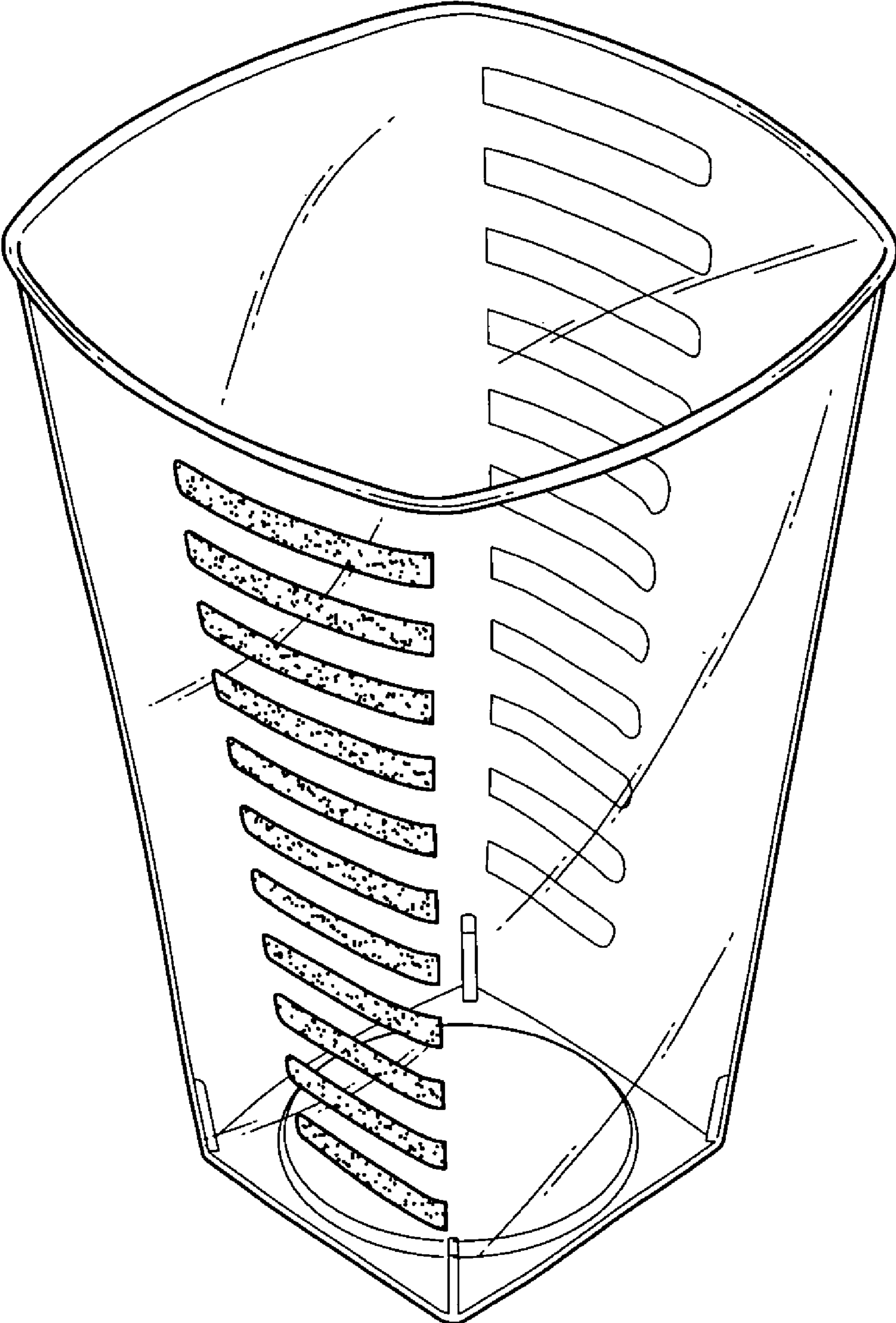


FIG. 1

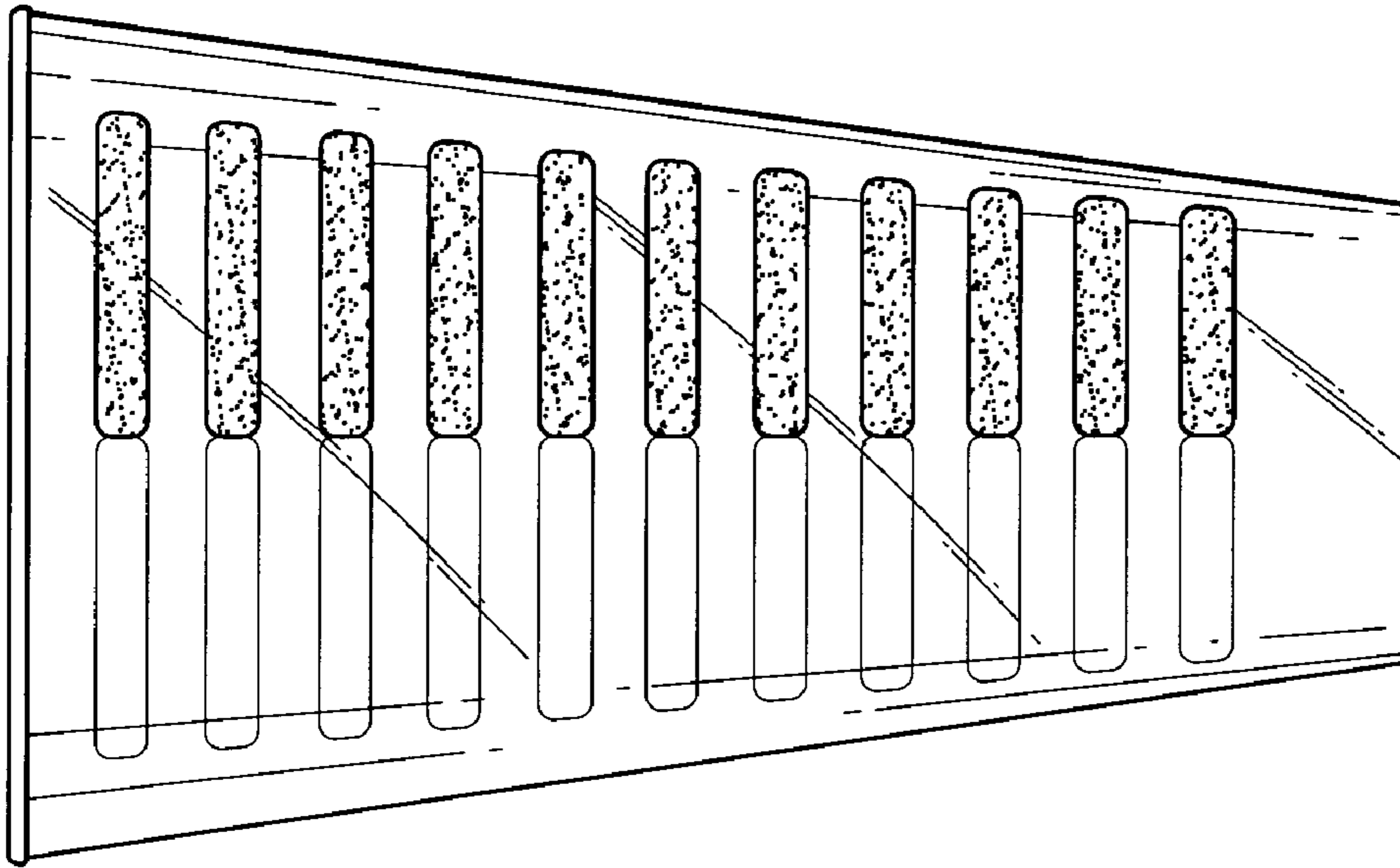


FIG. 3

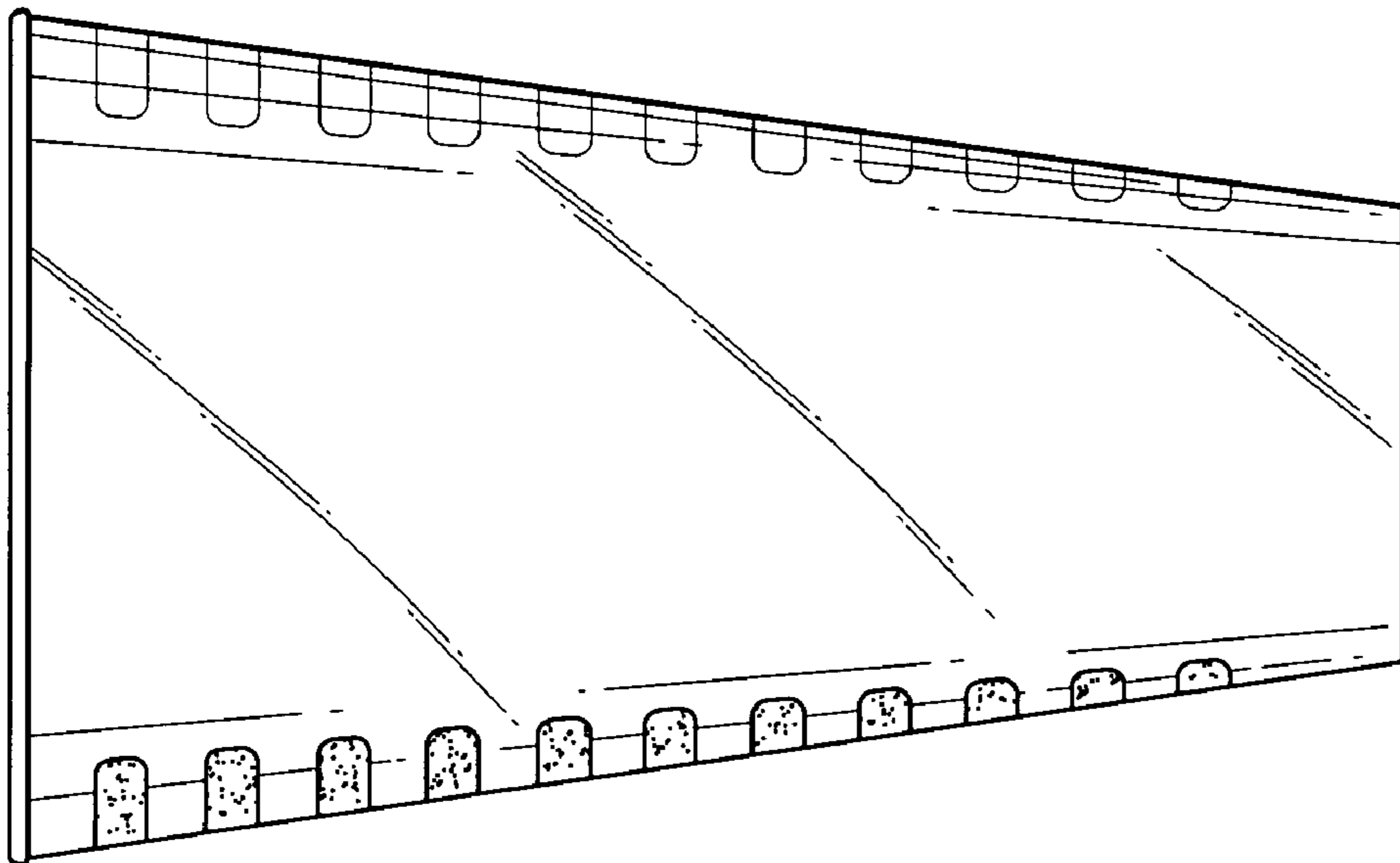


FIG. 2

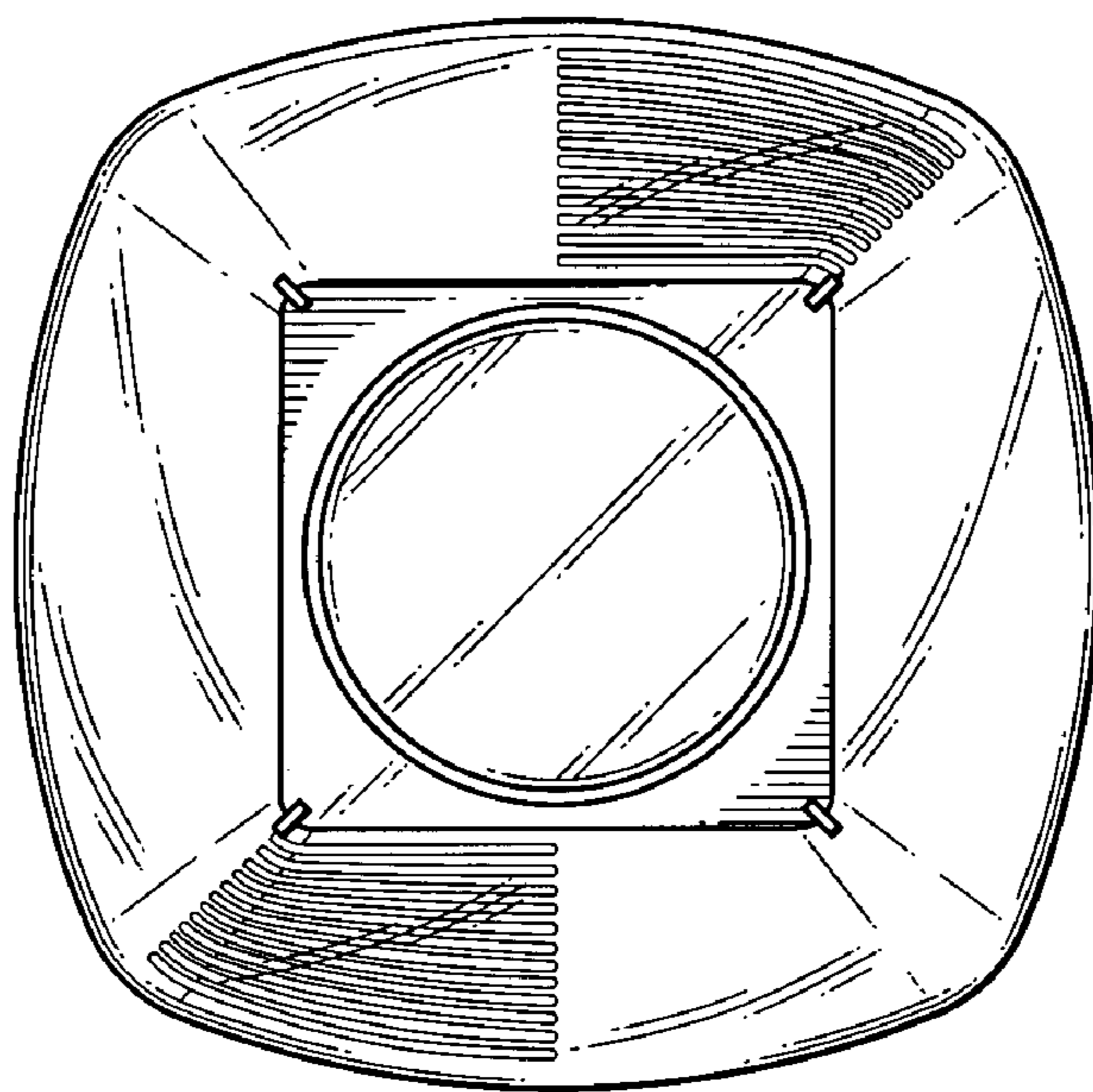


FIG. 4

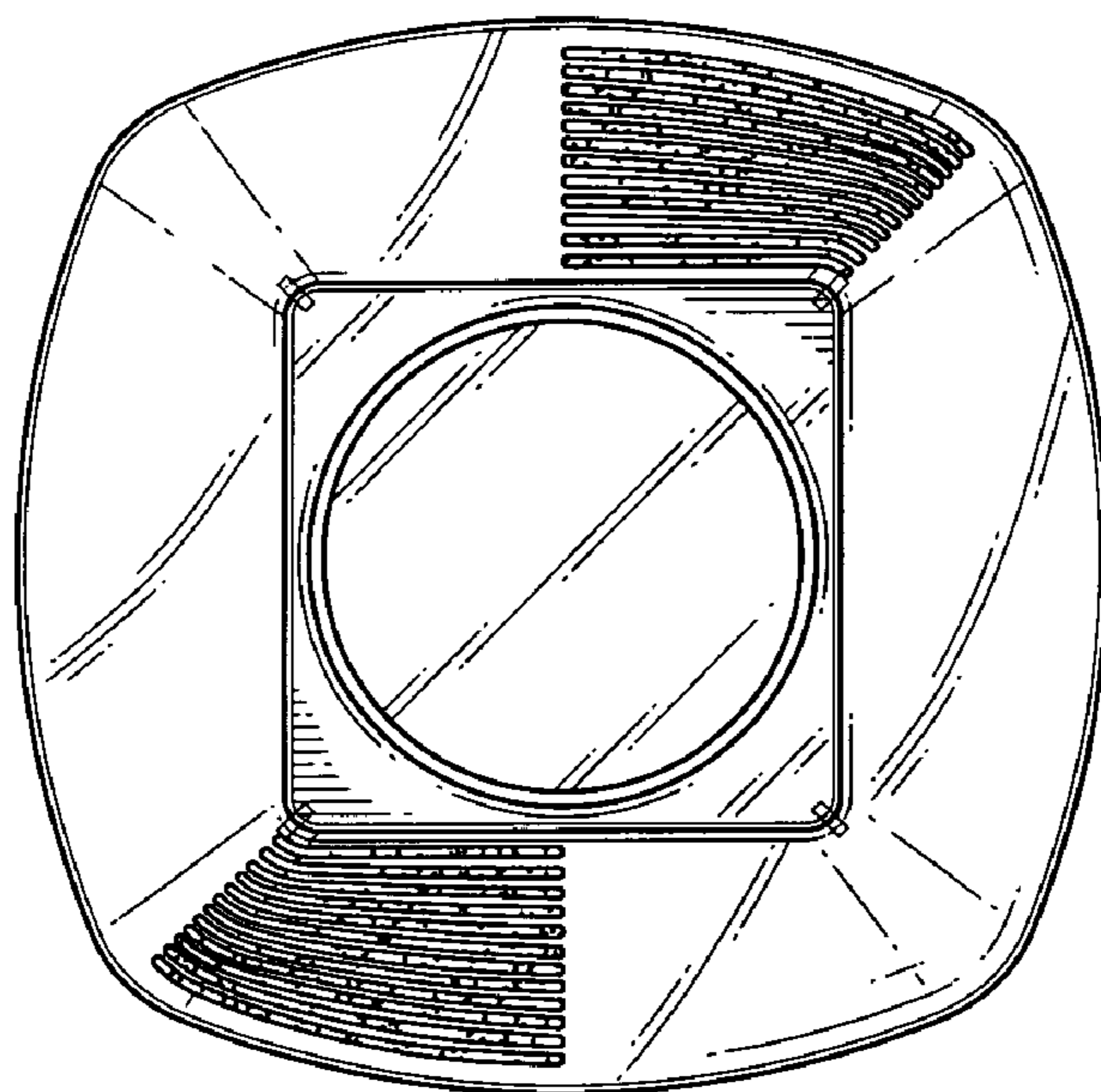


FIG. 5