



US00D587526S

(12) **United States Design Patent**
Barnard et al.

(10) **Patent No.:** **US D587,526 S**
(45) **Date of Patent:** **** Mar. 3, 2009**

(54) **CONTAINER FOR A BLENDER**

D528,363 S 9/2006 Ulanski et al.
7,350,963 B2 * 4/2008 Williams et al. 366/205

(75) Inventors: **John K. Barnard**, Olmstead Falls, OH (US); **Richard D. Boozer**, Wakeman, OH (US); **Fred H. Mehlman**, Brunswick, OH (US)

(73) Assignee: **Vita-Mix Corporation**, Cleveland, OH (US)

(**) Term: **14 Years**

(21) Appl. No.: **29/310,189**

(22) Filed: **Jul. 30, 2008**

(51) **LOC (9) Cl.** **07-02**

(52) **U.S. Cl.** **D7/413**

(58) **Field of Classification Search** D7/317-318,
D7/356, 376-386, 392, 398, 412-415, 665;
D9/438, 449, 503; 99/348, 509-511; D21/525;
D32/53.1; 206/515; 215/253; 222/465.1;
241/30-37.5, 101.01-101.2, 166-169, 274-278.2,
241/285.1-285.3, 291, 292.1; 366/64-67,
366/98, 192, 197-211, 205-206, 241-254,
366/279-292, 341-343

See application file for complete search history.

(56) **References Cited**

U.S. PATENT DOCUMENTS

D180,096 S	4/1957	Moore	
D198,303 S	5/1964	Dewenter	
D204,117 S	3/1966	Di Sesa	
D228,698 S	10/1973	Barnard, Jr. et al.	
D232,297 S	8/1974	Mantelet	
D259,133 S *	5/1981	Klawitter D21/525
D309,077 S *	7/1990	Pomroy D7/318
D336,590 S	6/1993	Barnard	
5,219,419 A *	6/1993	Prothe 206/515
D350,451 S *	9/1994	Dickson D7/384
D429,956 S	8/2000	Bohannon, Jr. et al.	
D435,192 S	12/2000	Bohannon, Jr. et al.	
D458,723 S *	6/2002	Malvasio D32/53.1
D480,915 S	10/2003	Kolar et al.	
6,854,876 B2	2/2005	Dickson	
D514,868 S *	2/2006	Achenbach et al. D7/318
D521,316 S *	5/2006	Katz et al. D7/398
7,063,456 B2	6/2006	Miller et al.	

OTHER PUBLICATIONS

“Bar and Restaurant Customer Catalog”, Oster Professional Products Dept., Milwaukee, Wisconsin, 6 pages (1986).
“Hamilton Beach”, Hamilton Beach Commercial, Glen Allen, VA 5 pages (Aug. 1998).
“Model 990 1 Gallon Blender”, Hamilton Beach Commercial, Glen Allen, VA, 2 pages (Nov. 1992).
“Vita-prep™ The Professional Chef’s Power Tool”, Vita-Mix Corporation, Cleveland, OH, 2 pages (May 1998).
“Vita-Pro®—The Difference is Clear”, Vita-Mix Corporation, Cleveland, OH, 2 pages (Jul. 2001).
“Finally, A Boss That Flips Itself Off”, Vita-Mix Corporation, Cleveland, OH, 4 pages (Nov. 2002).
“What more can the world’s best blender offer? More quiet.”, Vita-Mix Corporation, Cleveland, OH, 4 pages (Apr. 1998).
“Get Trim & Fit Fast”, Vita-Mix Corporation, Cleveland, OH, 7 pages (Jan. 1999).

* cited by examiner

Primary Examiner—Caron Veynar

Assistant Examiner—Ricky Pham

(74) *Attorney, Agent, or Firm*—Renner, Kenner, Greive, Bobak, Taylor & Weber

(57) **CLAIM**

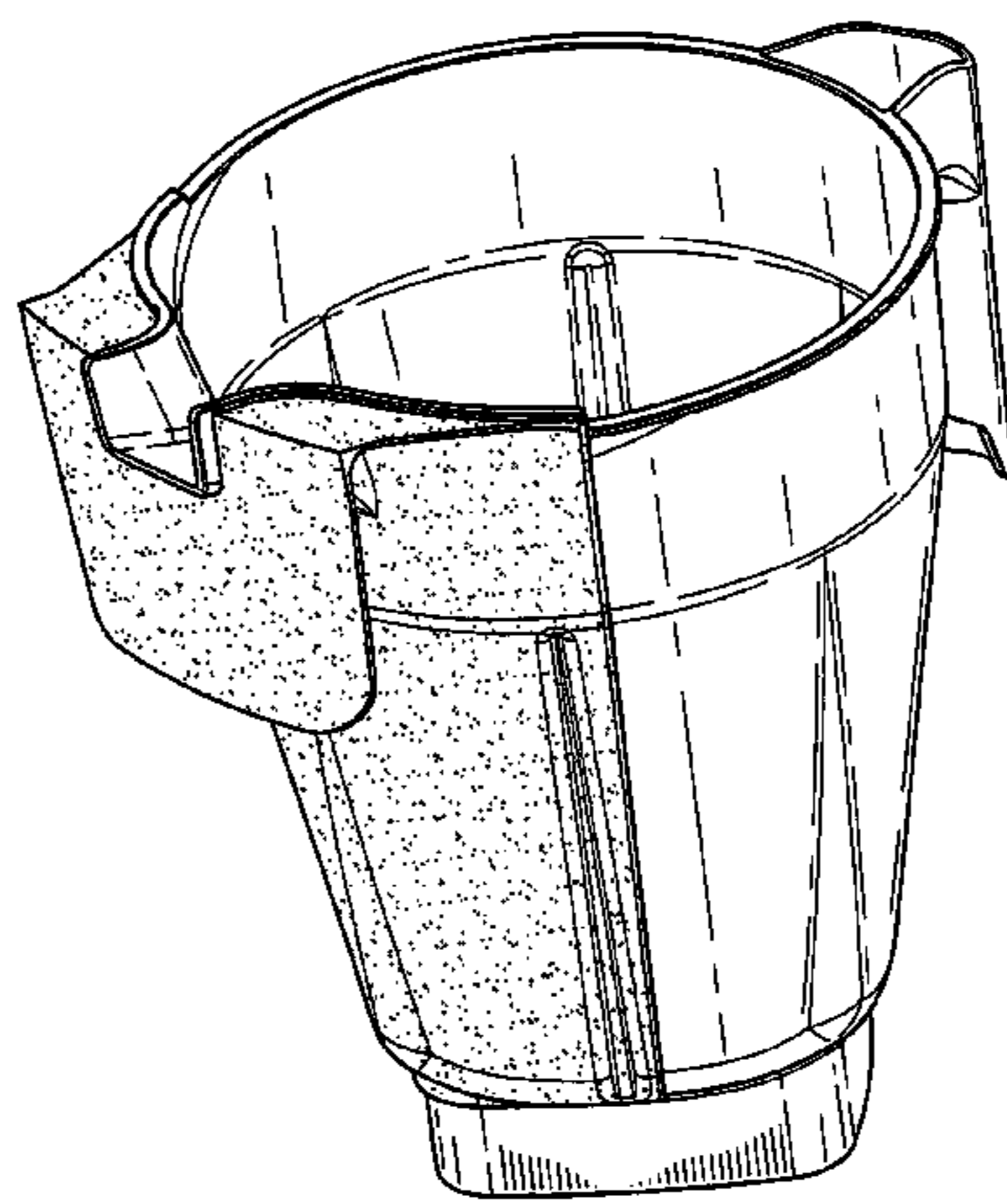
The ornamental design for a container for a blender, as shown and described.

DESCRIPTION

FIG. 1 is a top, front, right side perspective view of a container for a blender container showing our new design;
FIG. 2 is a bottom, front, right side perspective view thereof;
FIG. 3 is a front elevational view thereof;
FIG. 4 is a rear elevational view thereof;
FIG. 5 is a right side elevational view thereof, the left side being a mirror image of FIG. 5; and,
FIG. 6 is a top plan view thereof.

The bottom of the container for a blender shown in dotted lines is not part of the claimed design.

1 Claim, 4 Drawing Sheets



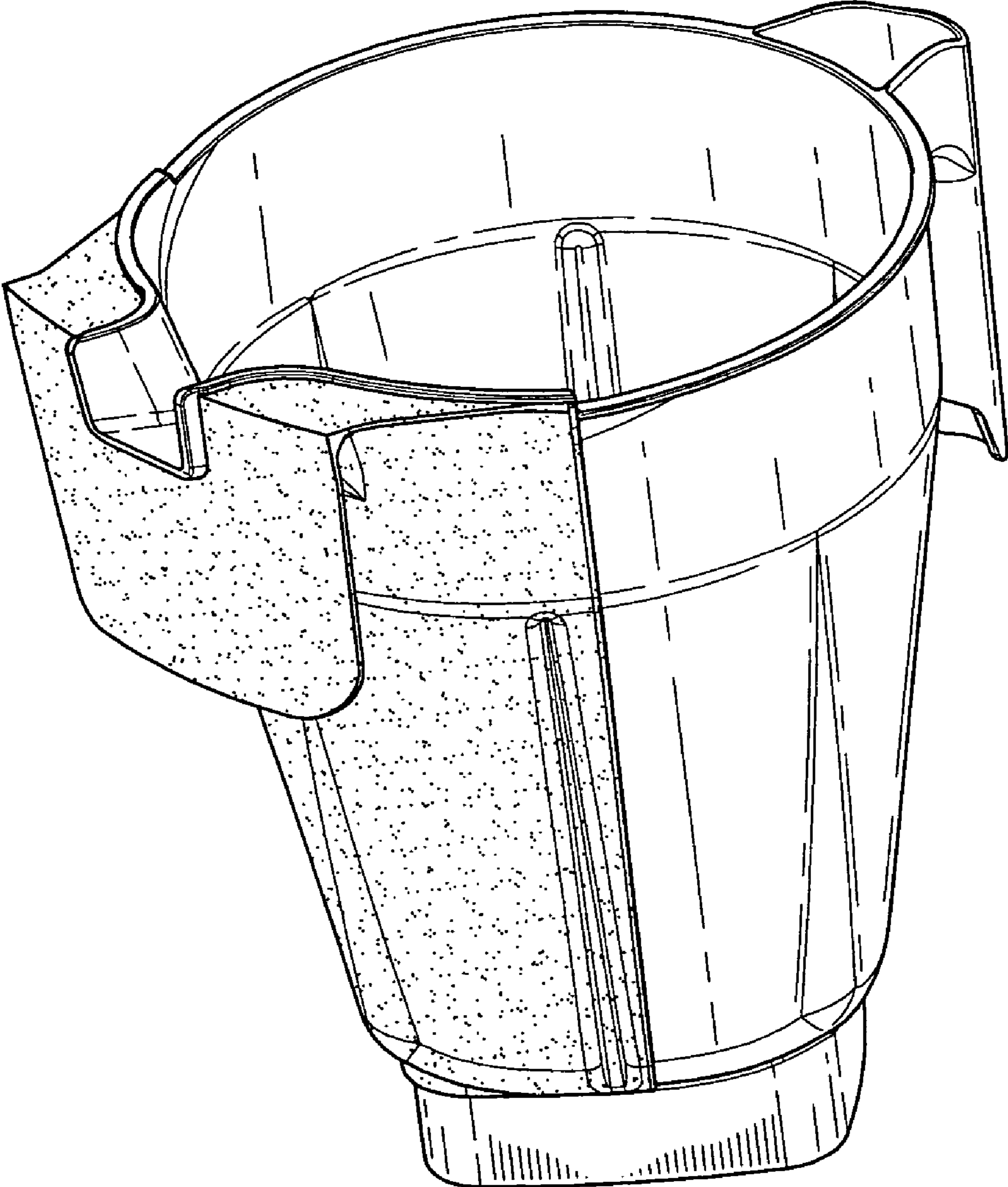


FIG-1

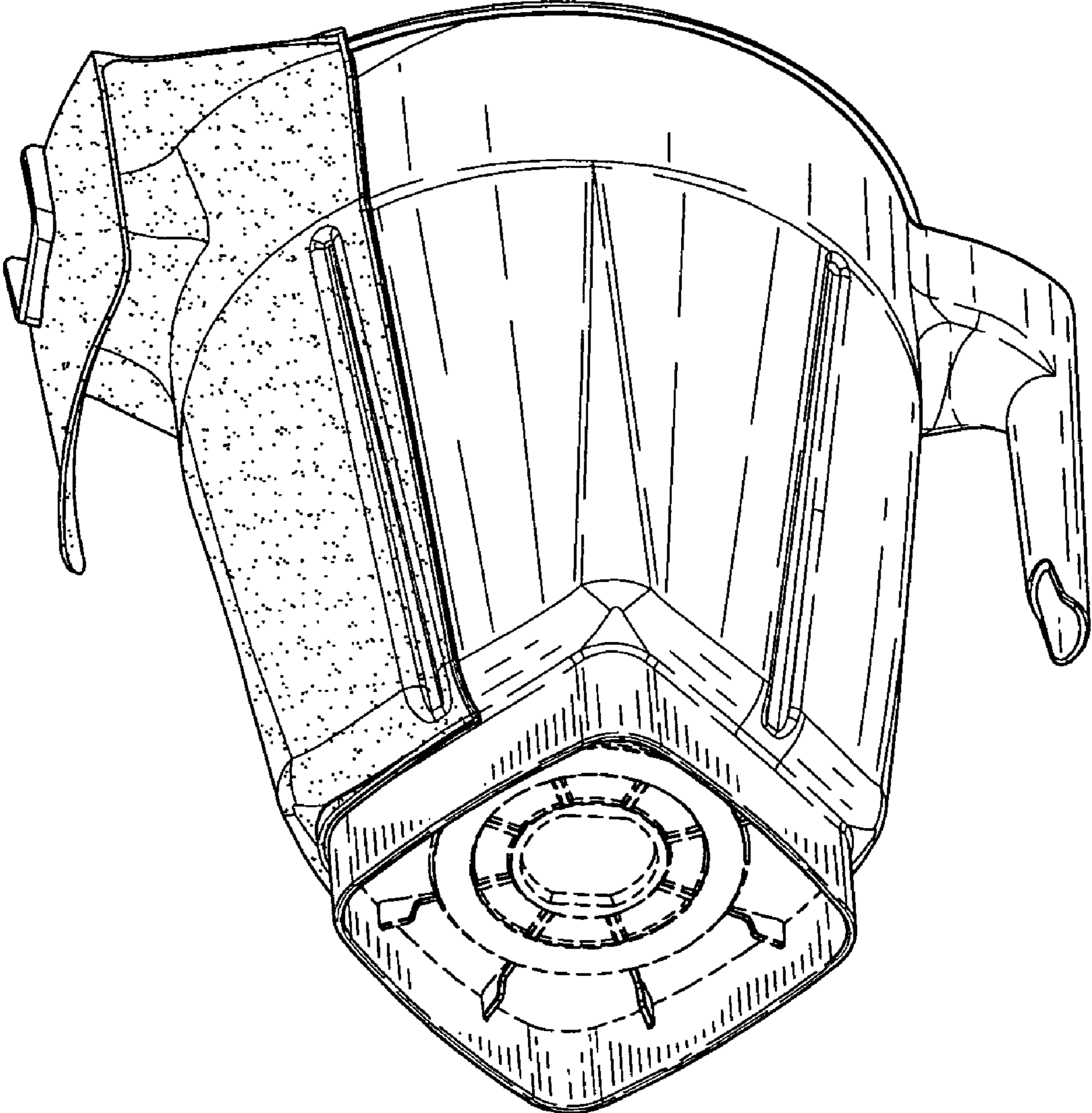


FIG-2

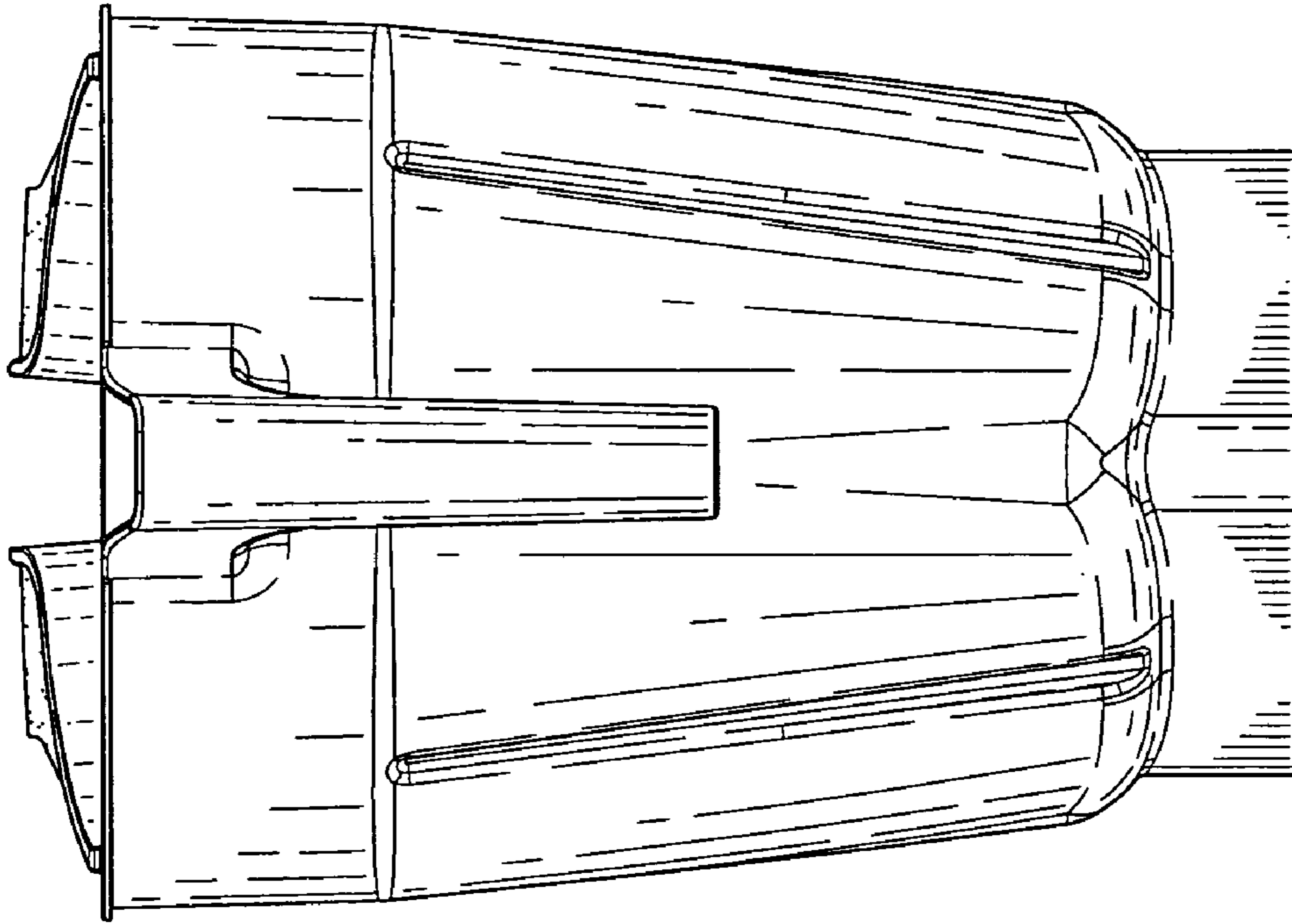


FIG-4

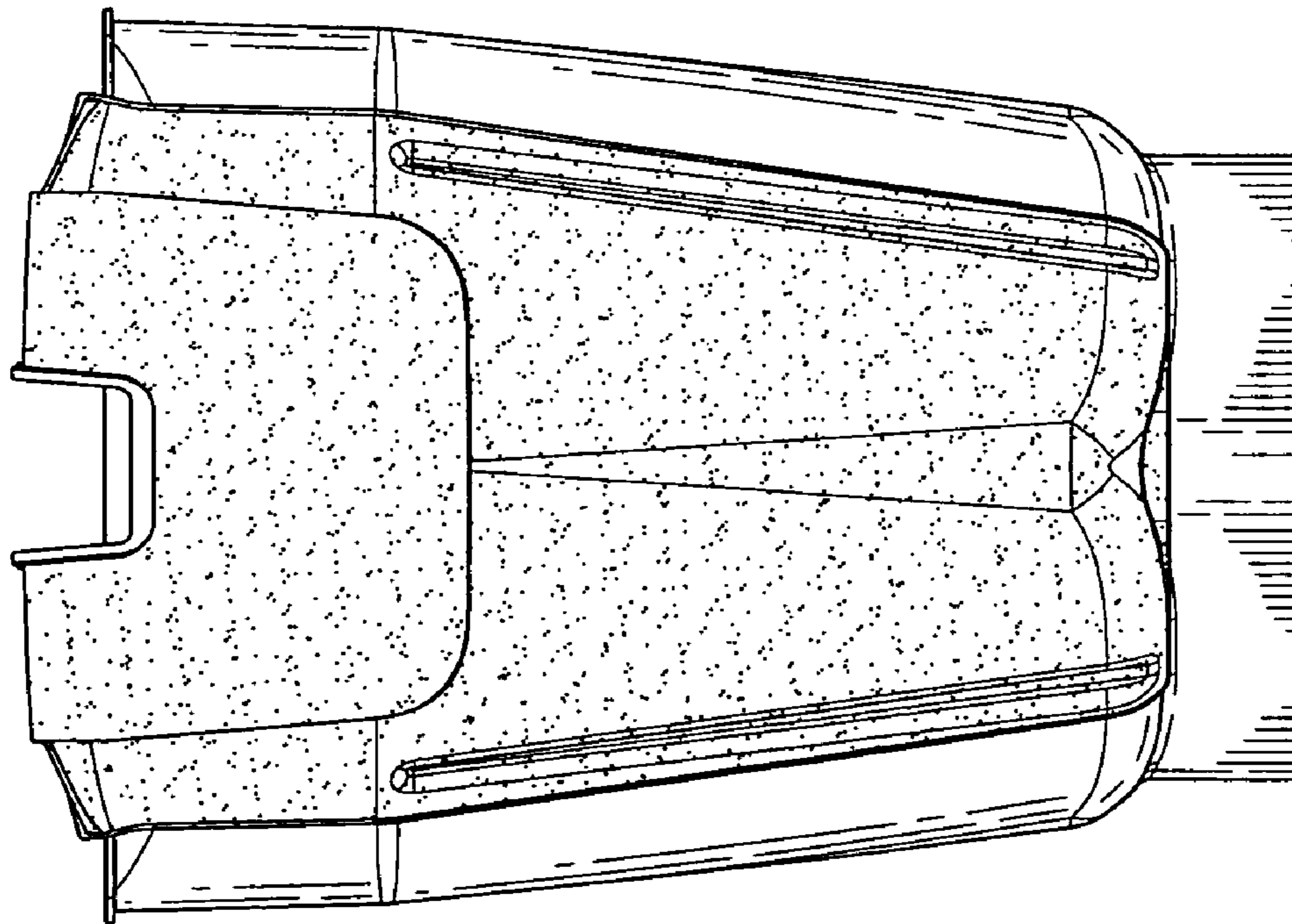


FIG-3

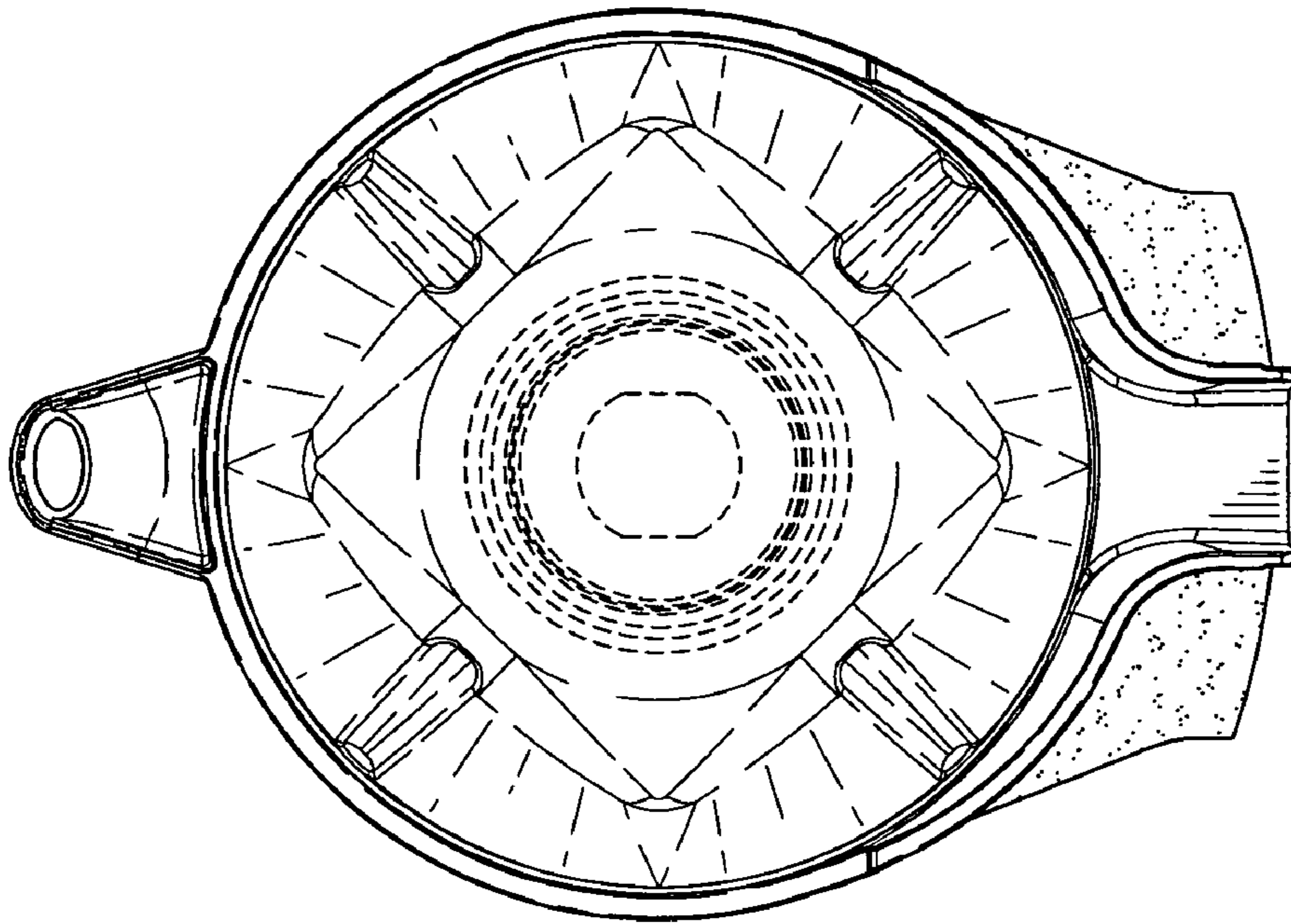


FIG-6

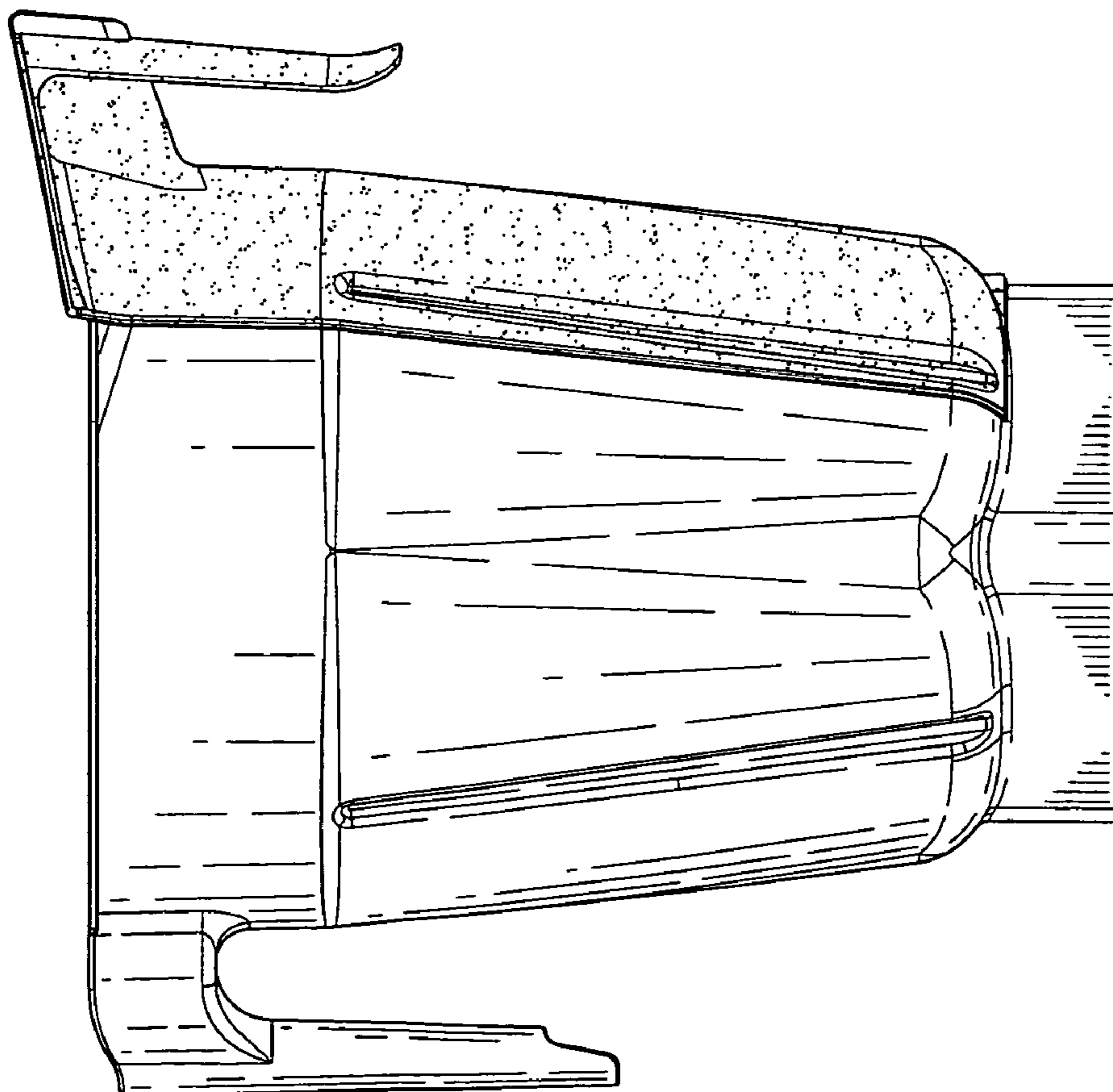


FIG-5