



US00D587523S

(12) **United States Design Patent**
Moon

(10) **Patent No.:** **US D587,523 S**

(45) **Date of Patent:** **** Mar. 3, 2009**

(54) **REUSABLE CUP HOLDER**

(76) Inventor: **Jeonghwa Moon**, 315 E. 600 North, #3,
Provo, UT (US) 84606

(**) Term: **14 Years**

(21) Appl. No.: **29/321,388**

(22) Filed: **Jul. 15, 2008**

(51) **LOC (9) Cl.** **07-01**

(52) **U.S. Cl.** **D7/396.2; D7/622**

(58) **Field of Classification Search** D7/387,
D7/396.1, 396.2, 624.1, 624.2, 619.1, 622,
D7/319, 620; D24/199; D9/444, 711, 716,
D9/742, 751, 501, 443; D3/229; 215/395,
215/394; 224/148.6; 294/33

See application file for complete search history.

(56) **References Cited**

U.S. PATENT DOCUMENTS

378,361 A *	2/1888	Fox	215/395
D34,621 S *	6/1901	McLaughlin	D7/622
862,802 A *	8/1907	Brugel	215/244
899,290 A *	9/1908	Bricker	248/145.6
1,389,294 A	9/1921	Moore		
D59,662 S *	11/1921	Lauzon	D3/229
1,459,192 A *	6/1923	Bell	220/490
2,029,429 A	2/1936	Koons		
2,116,148 A *	5/1938	Hawley	248/145.6
2,128,466 A	8/1938	Machotka		
2,801,743 A	8/1957	Green		
3,261,635 A	7/1966	Talay		
D209,533 S	12/1967	Cole		
3,481,639 A	12/1969	Lawrence		
3,533,590 A	10/1970	Swire		
3,596,795 A	8/1971	D'Ercoli		
D265,880 S	8/1982	Craig		
4,620,631 A	11/1986	Bartelt		
4,654,274 A	3/1987	DeMars		
4,685,583 A	8/1987	Noon		
4,715,633 A	12/1987	Brink		
4,874,109 A	10/1989	Cook		
5,013,074 A *	5/1991	Galle	294/33

D337,029 S	7/1993	McKechnie		
D338,069 S *	8/1993	McCormick	D24/199
5,238,161 A	8/1993	Kimishima		
5,511,754 A *	4/1996	Johannsen	248/311.2
D370,384 S	6/1996	Shamis		
D378,335 S	3/1997	Liebling		
5,655,805 A	8/1997	Shaddy		
D395,205 S	6/1998	Inwook		
5,868,310 A	2/1999	Leszczynski		
D419,392 S *	1/2000	Schlebusch	D7/619.1
6,149,027 A	11/2000	Rathjen		
6,360,913 B1	3/2002	Bruinsma		
D565,887 S *	4/2008	Bodum	D7/319
2004/0262483 A1	12/2004	Hsieh		

* cited by examiner

Primary Examiner—Robert M Spear
Assistant Examiner—Cynthia Underwood
(74) *Attorney, Agent, or Firm*—Workman Nydegger

(57) **CLAIM**

The ornamental design for the reusable cup holder, as shown and described.

DESCRIPTION

FIG. 1 is a front, elevated perspective view of the reusable cup holder showing my new design;

FIG. 2 is a frontal view of the reusable cup holder shown in FIG. 1;

FIG. 3 is a rear view of the reusable cup holder shown in FIG. 1;

FIG. 4 is a right side view of the reusable cup holder in FIG. 1;

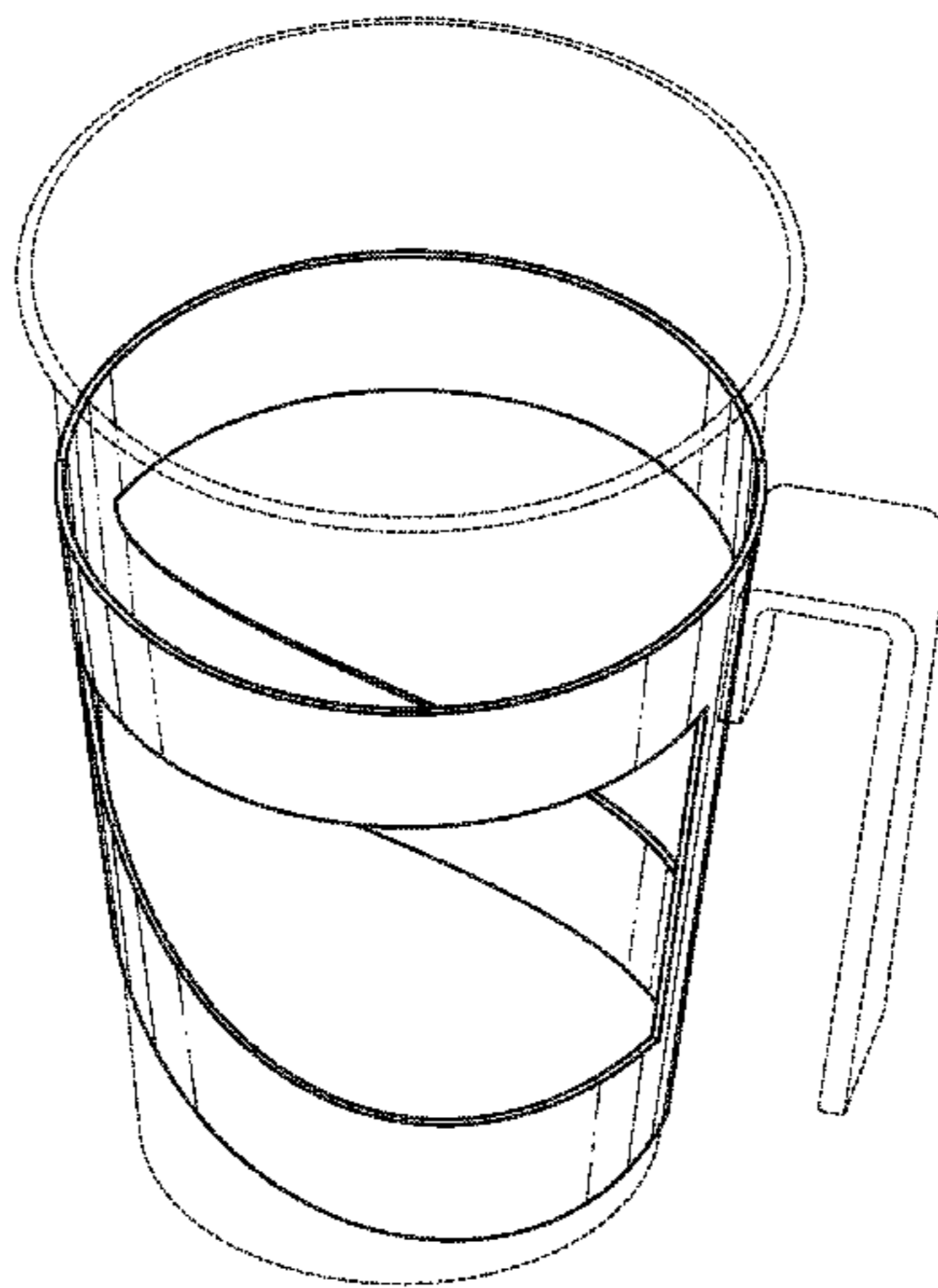
FIG. 5 is a left side view of the reusable cup holder in FIG. 1;

FIG. 6 is a top plan view of the reusable cup holder shown in FIG. 1; and,

FIG. 7 is a bottom view of the reusable cup holder shown in FIG. 1.

The broken line showing of portions of the reusable cup holder form no part of the claim.

1 Claim, 4 Drawing Sheets



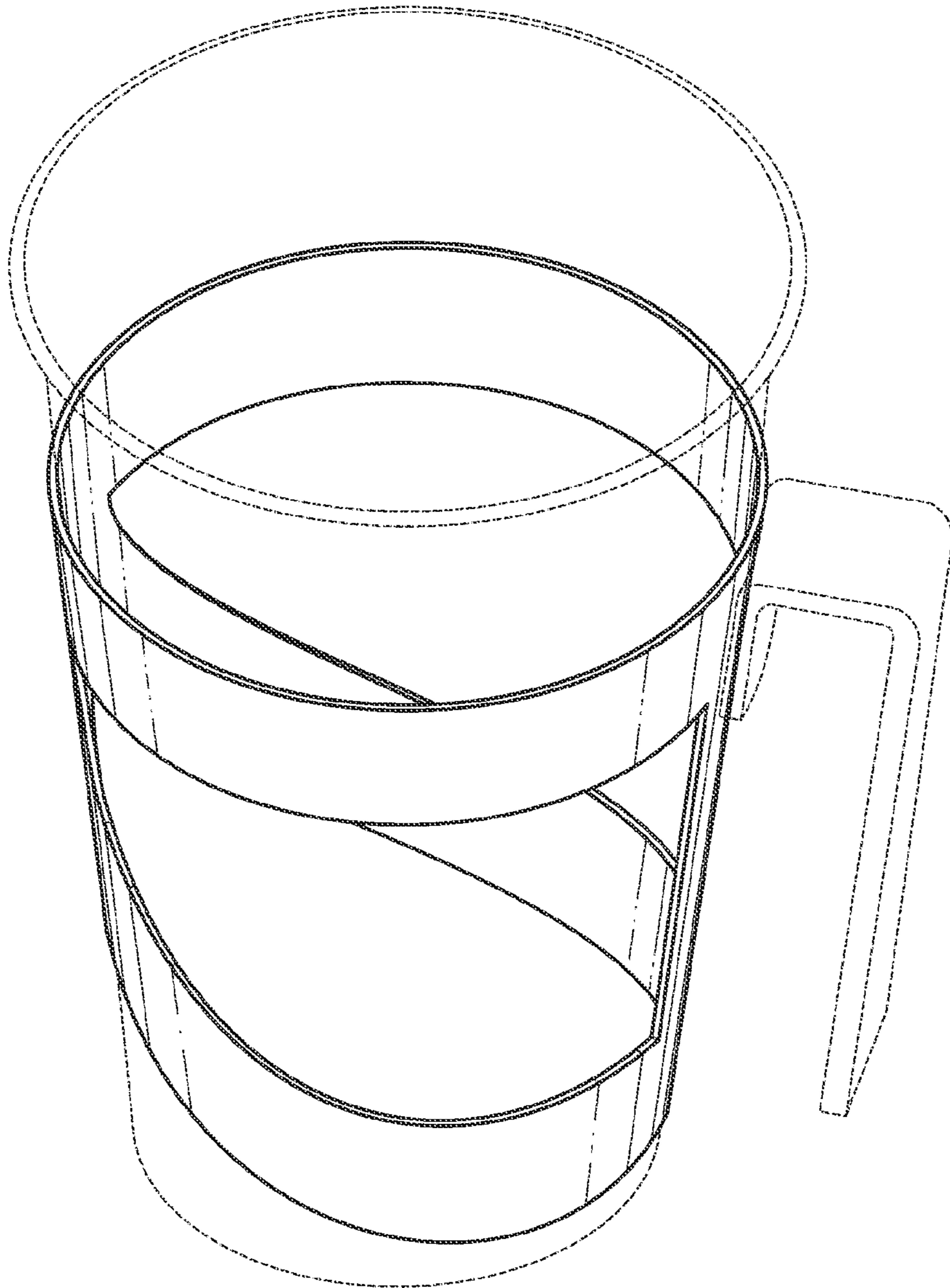


FIG. 1

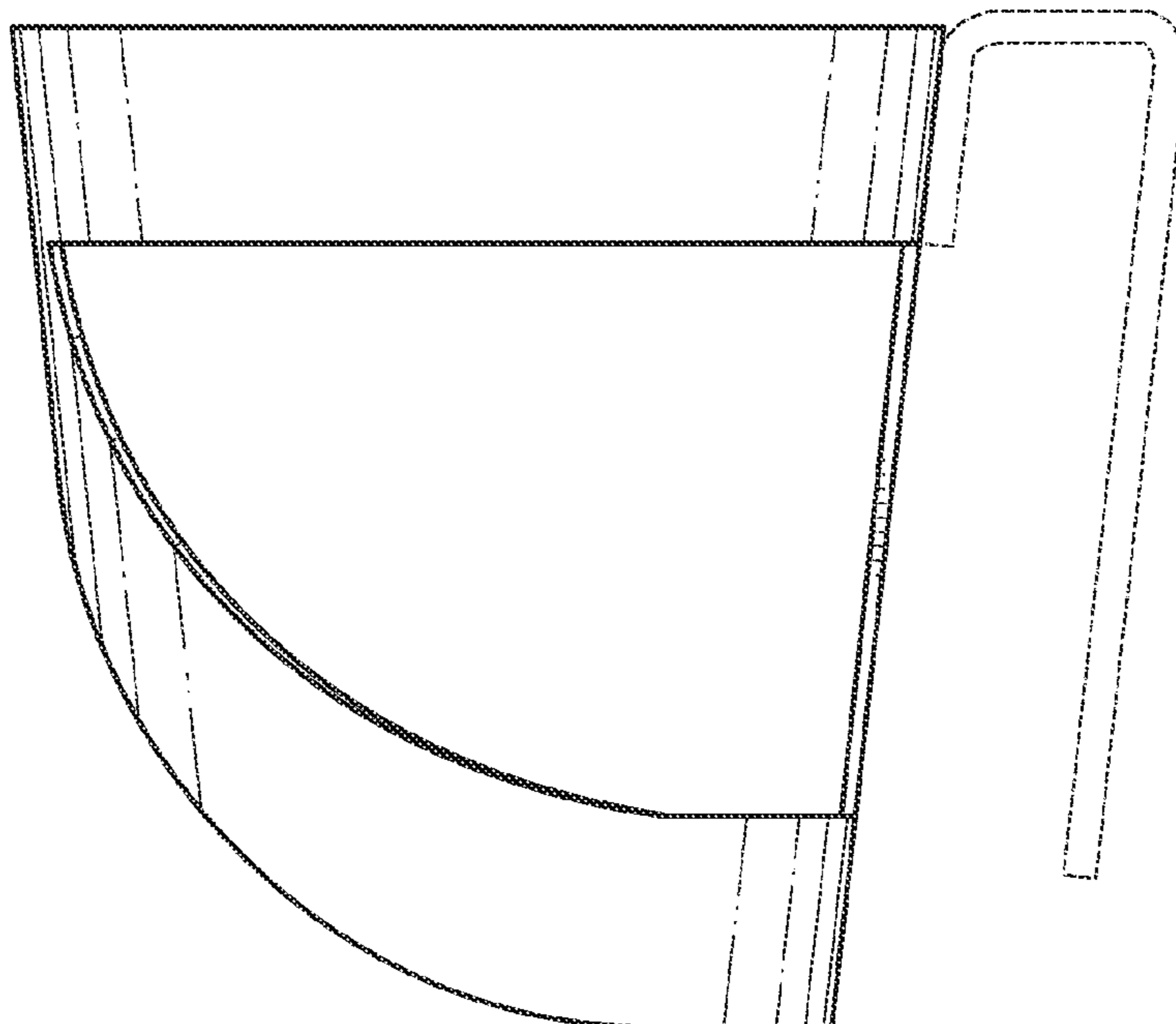


FIG. 2

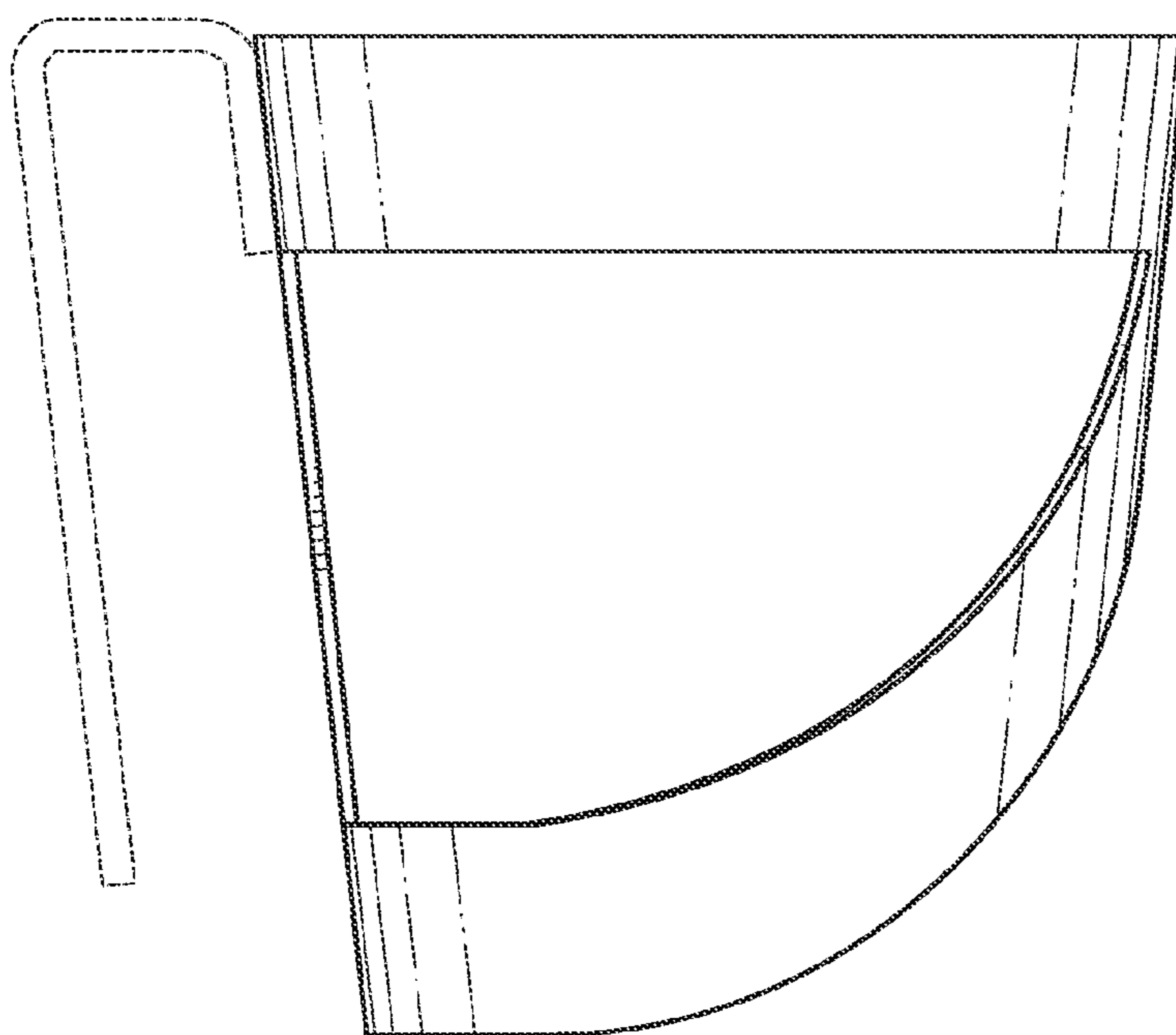


FIG. 3

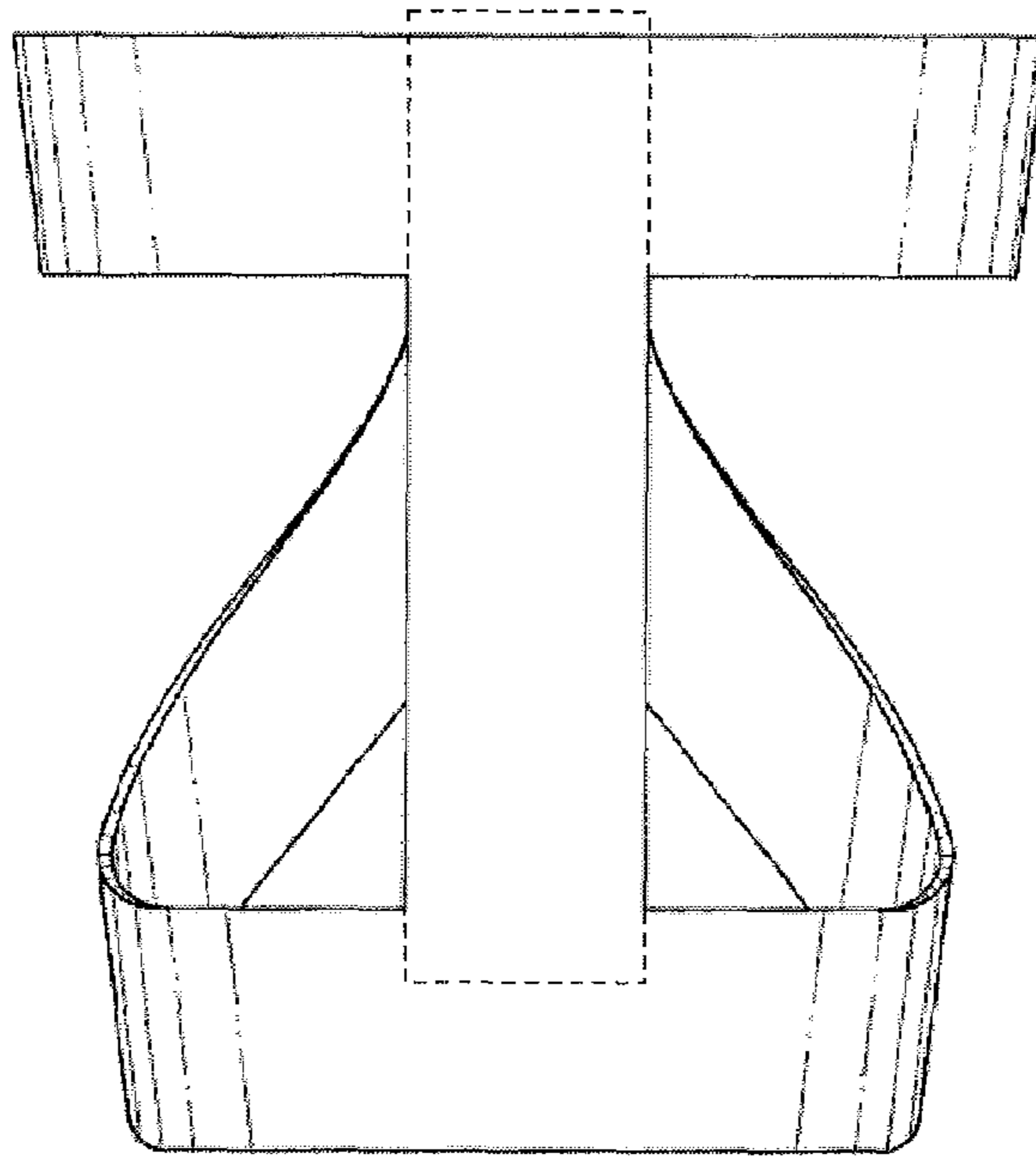


FIG. 4

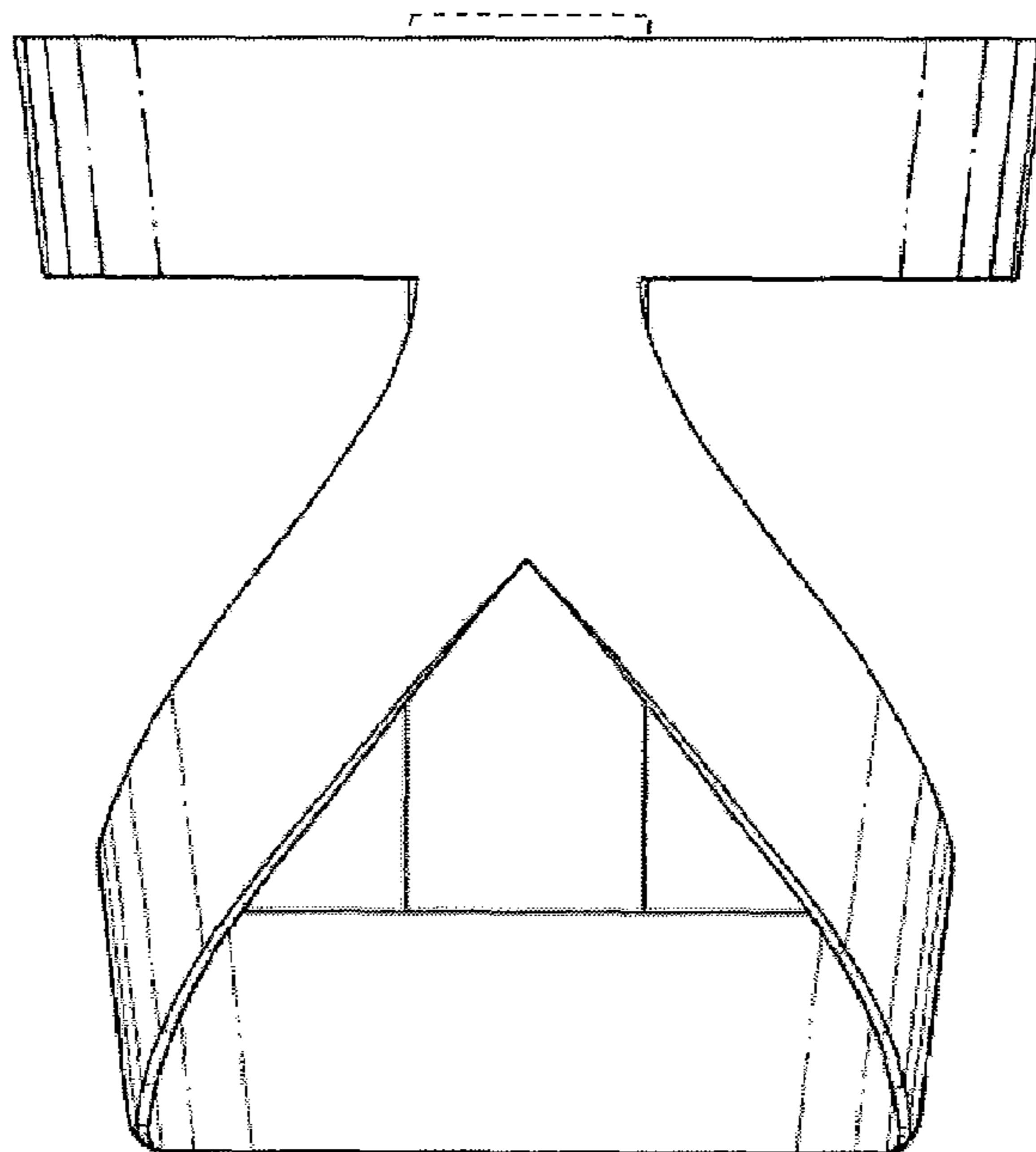


FIG. 5

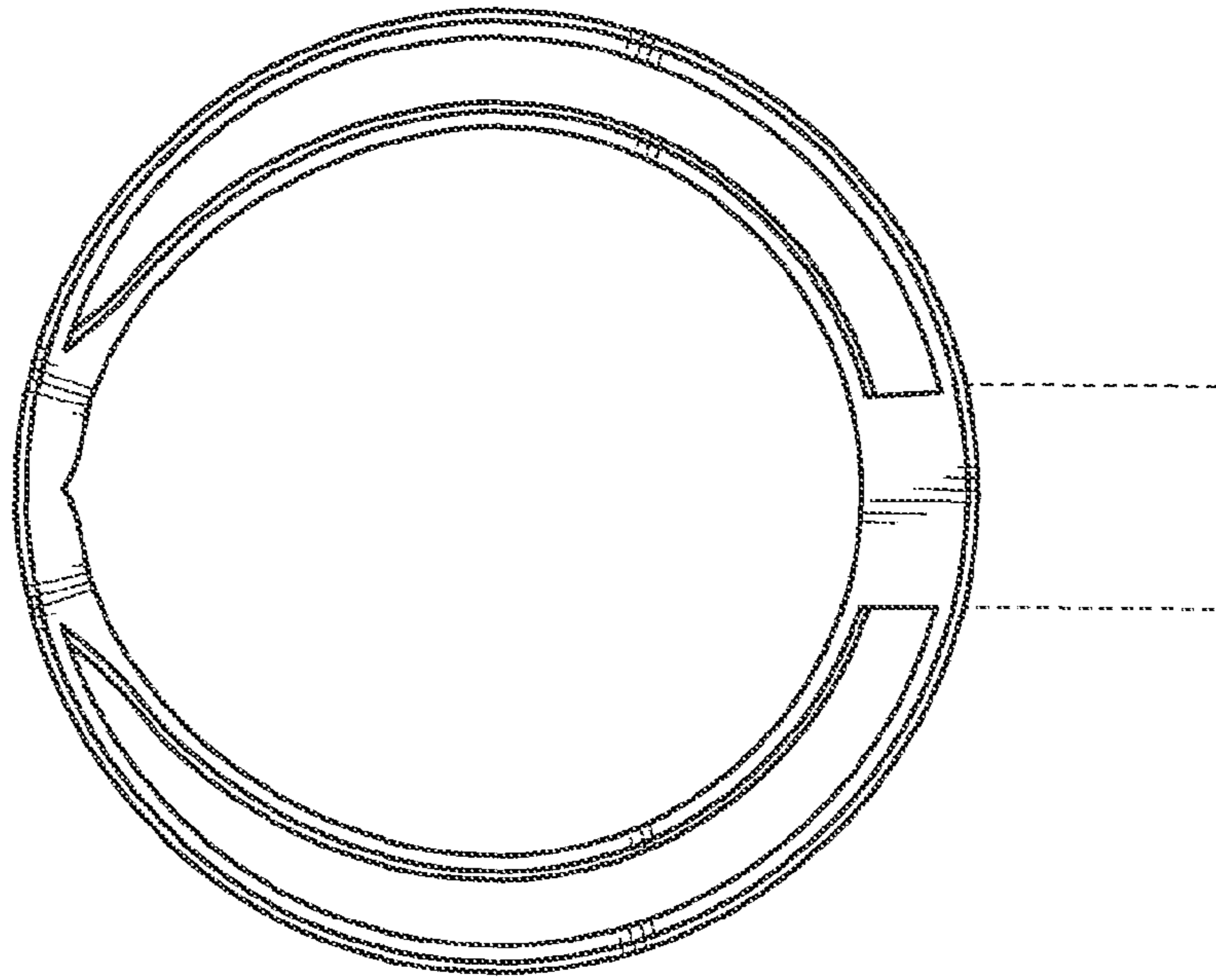


FIG. 6

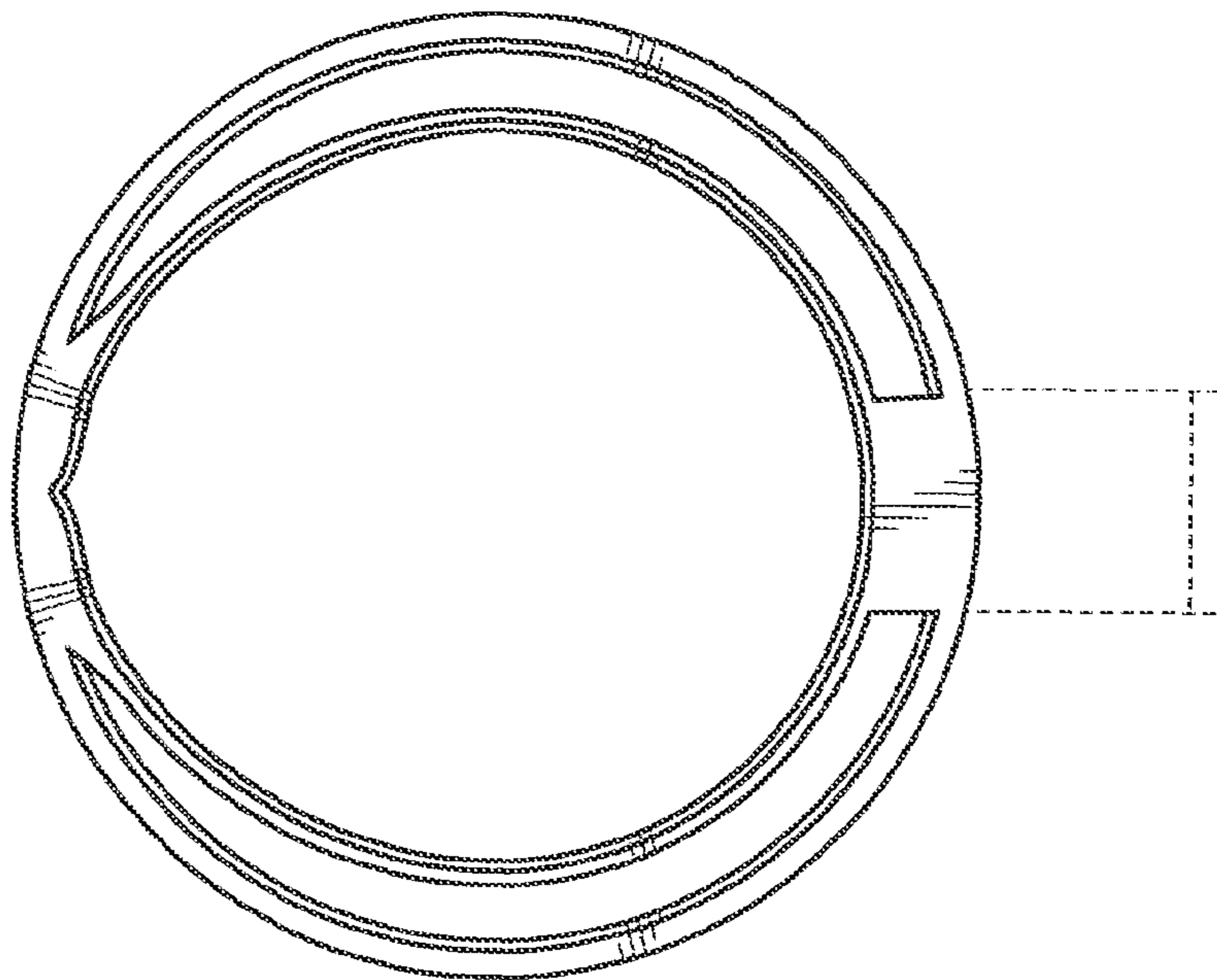


FIG. 7