



US00D587522S

(12) **United States Design Patent**  
**Webb**

(10) **Patent No.:** **US D587,522 S**

(45) **Date of Patent:** **\*\* Mar. 3, 2009**

(54) **KITCHEN UTENSIL HANDLE**

(76) **Inventor:** **Nicholas J Webb**, 16314 Texas Springs Rd., Redding, CA (US) 96001

(\*\*) **Term:** **14 Years**

(21) **Appl. No.:** **29/320,027**

(22) **Filed:** **Jun. 19, 2008**

(51) **LOC (9) Cl.** ..... **07-02**

(52) **U.S. Cl.** ..... **D7/395**

(58) **Field of Classification Search** ..... D7/393,  
D7/395, 401.2, 682, 692, 642-648, 649-652,  
D7/664, 688, 693, 696, 381; D8/82-85,  
D8/101, 107, 307; D22/118; 30/340-344,  
30/147-149; 16/430, 431, 110.1; D4/129,  
D4/138

See application file for complete search history.

(56) **References Cited**

**U.S. PATENT DOCUMENTS**

D100,267	S	*	7/1936	Iannelli	.....	D7/395
2,242,873	A	*	5/1941	Thompson	.....	D8/85
D273,268	S	*	4/1984	Smith	.....	D8/83
D312,563	S	*	12/1990	Hillinger	.....	D8/83
D320,125	S	*	9/1991	Hacker	.....	D7/395
D360,344	S	*	7/1995	Eggert et al.	.....	D8/83

D378,186	S	*	2/1997	Braun	.....	D8/83
D411,432	S	*	6/1999	Stahel	.....	D8/303
D469,258	S	*	1/2003	Wang	.....	D4/128
D482,949	S	*	12/2003	Molenaar	.....	D8/107
D524,098	S	*	7/2006	Minutillo et al.	.....	D7/395
D565,379	S	*	4/2008	Williams et al.	.....	D8/83
D569,210	S	*	5/2008	Chien	.....	D8/83

\* cited by examiner

*Primary Examiner*—Holly H Baynham

*Assistant Examiner*—Cynthia M Chin

(74) *Attorney, Agent, or Firm*—Harness, Dickey & Pierce, PLC

(57) **CLAIM**

The ornamental design for a kitchen utensil handle, as shown and described.

**DESCRIPTION**

FIG. 1 is a perspective view;

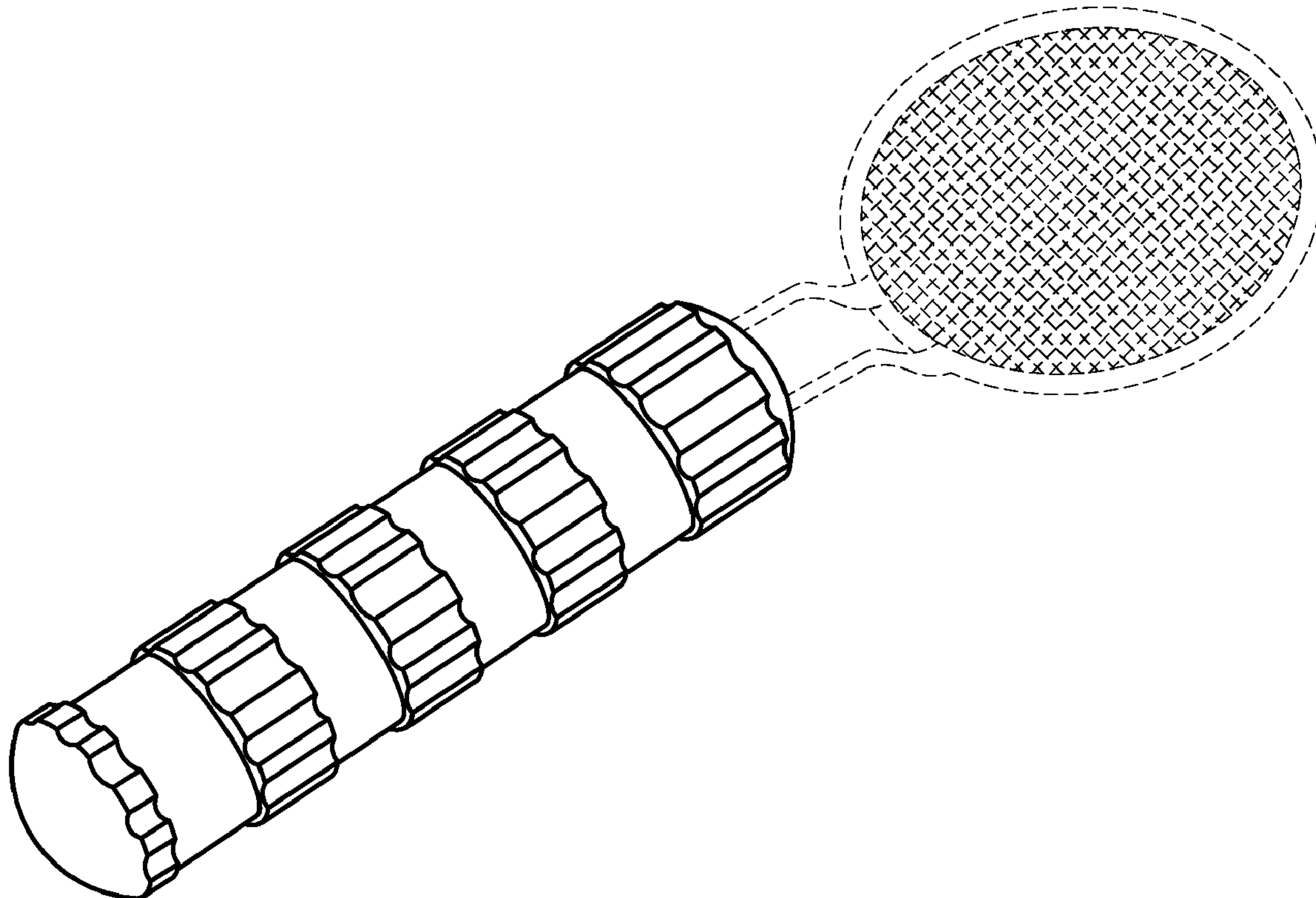
FIG. 2 is a top plan view;

FIG. 3 is a side plan view; and,

FIG. 4 is an end view.

The broken lines represent portions of the design that form no part of the claim.

**1 Claim, 1 Drawing Sheet**



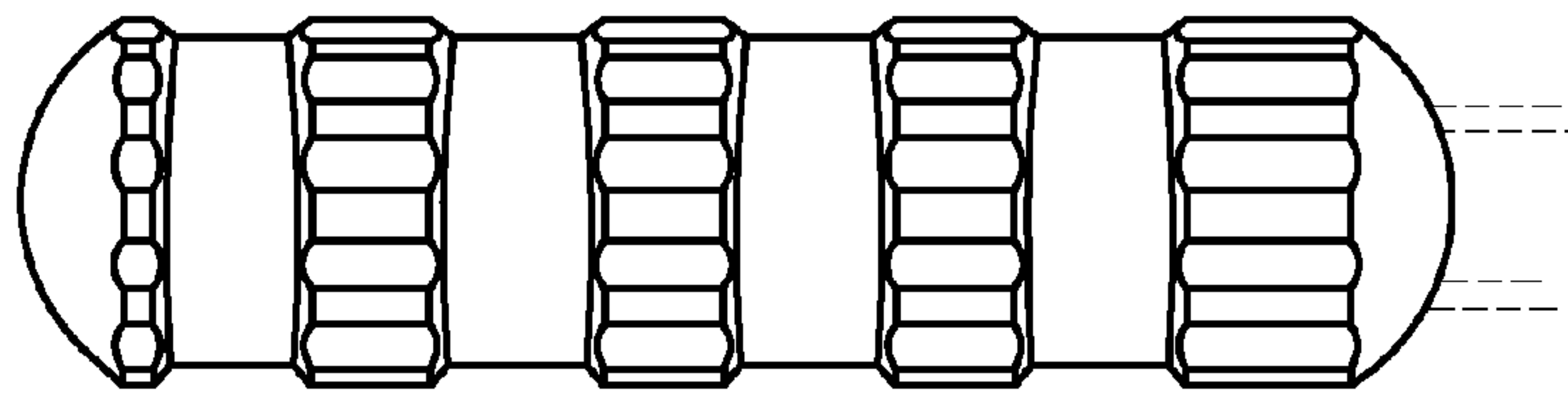
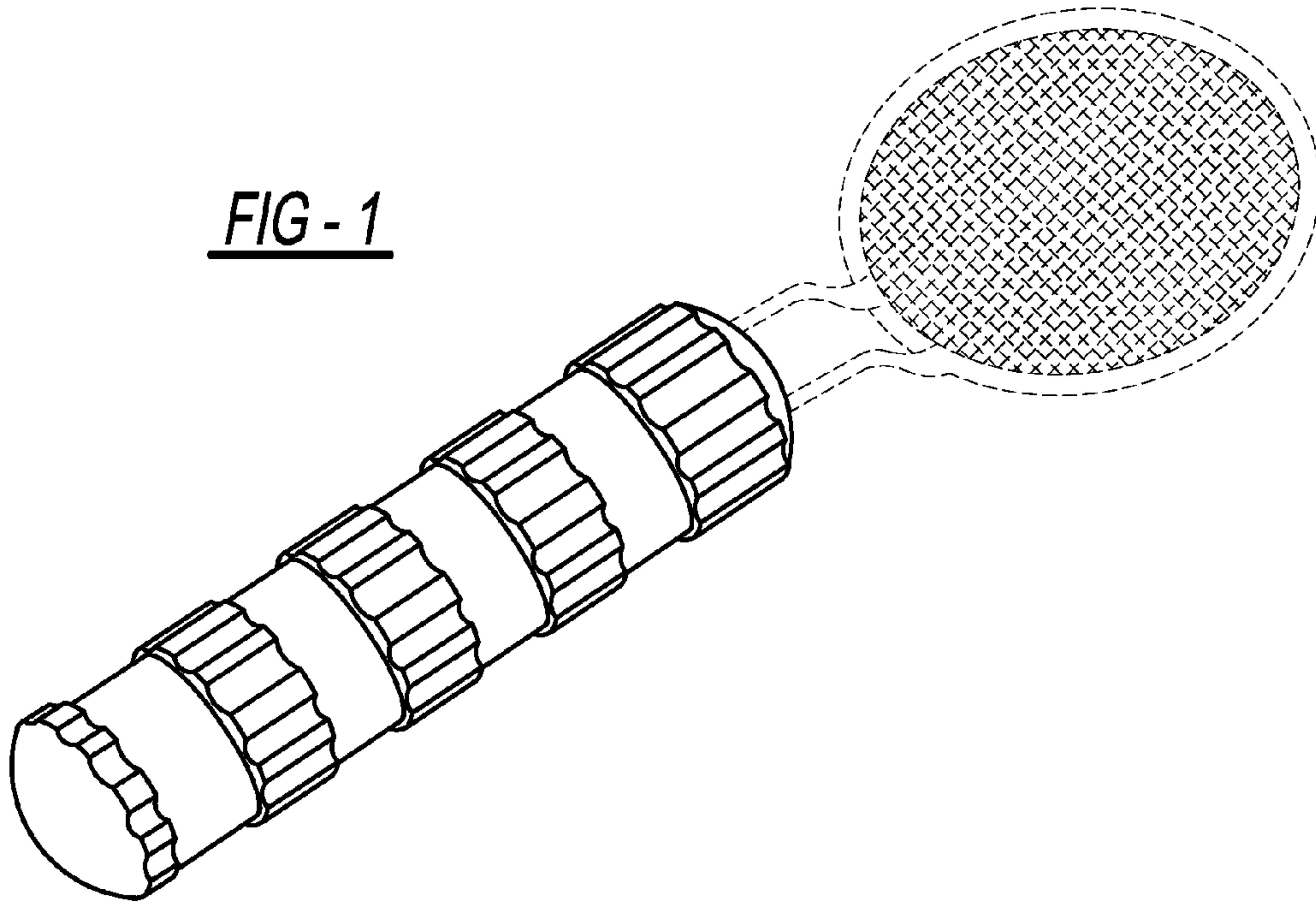


FIG - 2

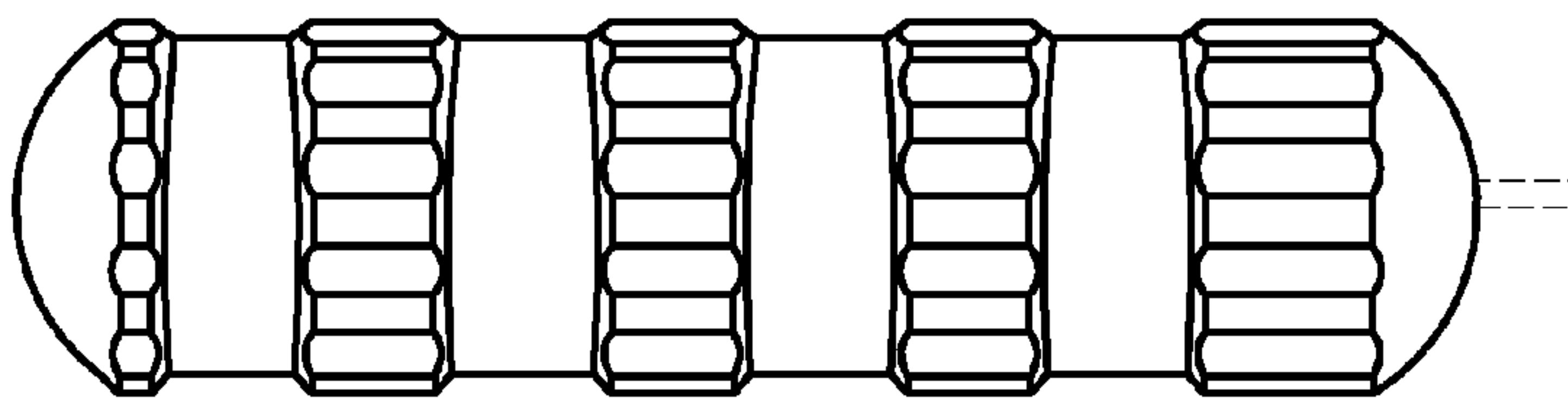


FIG - 3

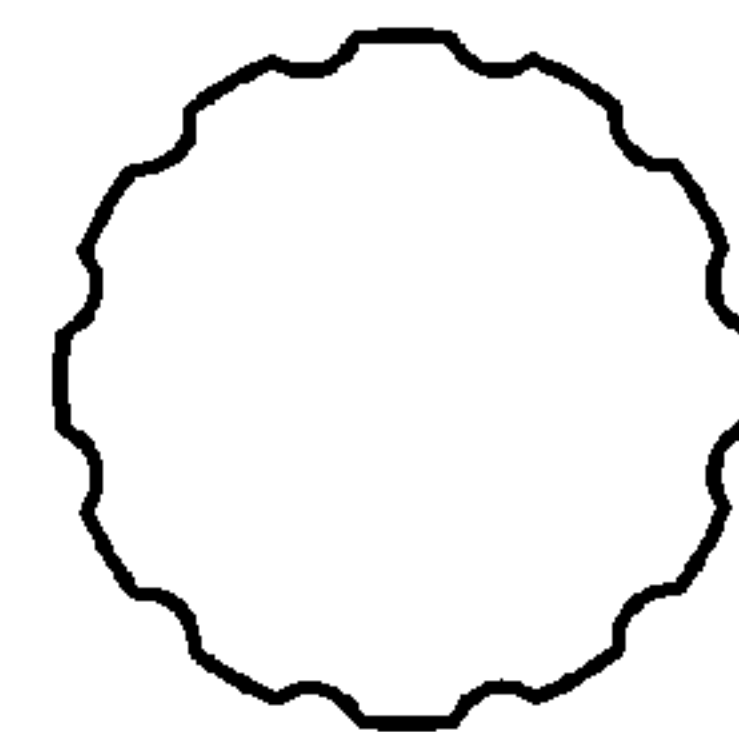


FIG - 4