



US00D587520S

(12) **United States Design Patent**
Kounlavong et al.

(10) **Patent No.:** **US D587,520 S**
(45) **Date of Patent:** **** Mar. 3, 2009**

(54) **FROZEN DRINK MAKER**

(75) Inventors: **Phetsouvanh B. Kounlavong**, Lake Worth, FL (US); **Adam Day**, Boynton Beach, FL (US); **Jennifer Linnane**, Melrose, MA (US); **Gregor Mittersinker**, Warwick, RI (US)

(73) Assignee: **Sunbeam Products, Inc.**, Boca Raton, FL (US)

(**) Term: **14 Years**

(21) Appl. No.: **29/323,305**

(22) Filed: **Aug. 22, 2008**

(51) **LOC (9) Cl.** **31-00**

(52) **U.S. Cl.** **D7/378**

(58) **Field of Classification Search** D7/306-313,
D7/317-318, 356, 376-386, 392, 397-399,
D7/412-415, 665; D15/79; 99/348, 509-511;
241/30-37.5, 101.01-101.2, 166-169.1,
241/274-278.2, 285.1-285.3, 291, 292.1;
366/64-67, 98, 192, 197-211, 241-254,
366/279-292, 341-343
See application file for complete search history.

(56) **References Cited**

U.S. PATENT DOCUMENTS

D381,550 S * 7/1997 Lin D7/309
D445,627 S * 7/2001 Naft et al. D7/309
D450,520 S * 11/2001 Saltet D7/309
D457,376 S * 5/2002 Lin D7/309

D478,461 S * 8/2003 Hoard D7/309
D491,763 S * 6/2004 Picozza et al. D7/309
D502,043 S * 2/2005 Lin D7/309
D502,044 S * 2/2005 Lin D7/309
D529,751 S * 10/2006 Sumser et al. D7/309
D530,138 S * 10/2006 Sumser et al. D7/309
D530,560 S * 10/2006 Lin D7/309
D555,969 S * 11/2007 Picozza et al. D7/306
D582,193 S * 12/2008 Picozza et al. D7/306

* cited by examiner

Primary Examiner—Caron Veynar

Assistant Examiner—Ricky Pham

(74) *Attorney, Agent, or Firm*—Seth Blum

(57) **CLAIM**

The ornamental design for a frozen drink maker, as shown and described.

DESCRIPTION

FIG. 1 is a front right perspective view of the frozen drink maker showing the new design;

FIG. 2 is a left side elevation view thereof;

FIG. 3 is a front elevation view thereof;

FIG. 4 is a right side elevation view thereof;

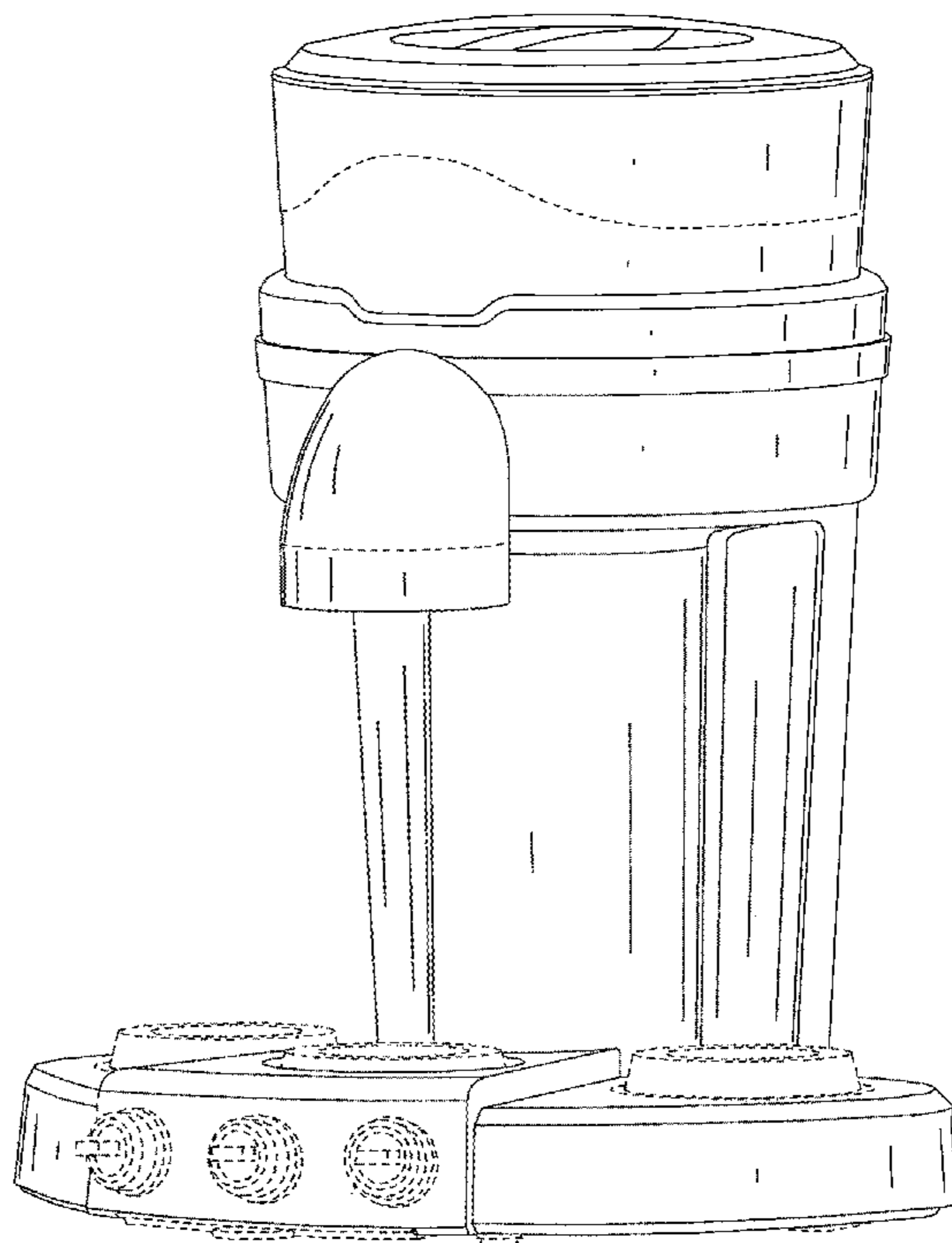
FIG. 5 is a rear elevation view thereof;

FIG. 6 is a top plan view thereof; and,

FIG. 7 is a bottom plan view thereof.

The broken lines in the drawings are for illustrative purposes only and form no part of the claimed design.

1 Claim, 7 Drawing Sheets



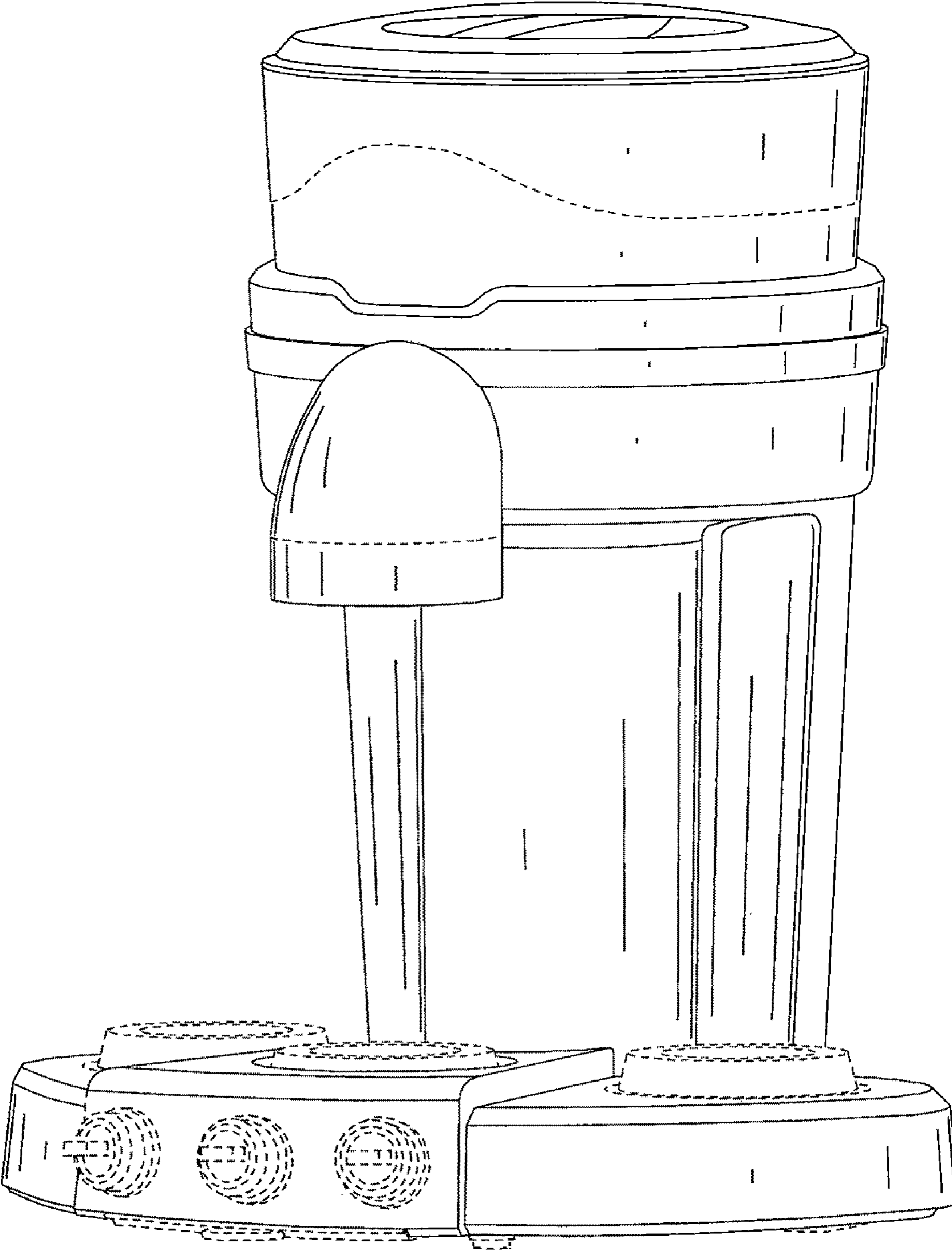


FIG 1

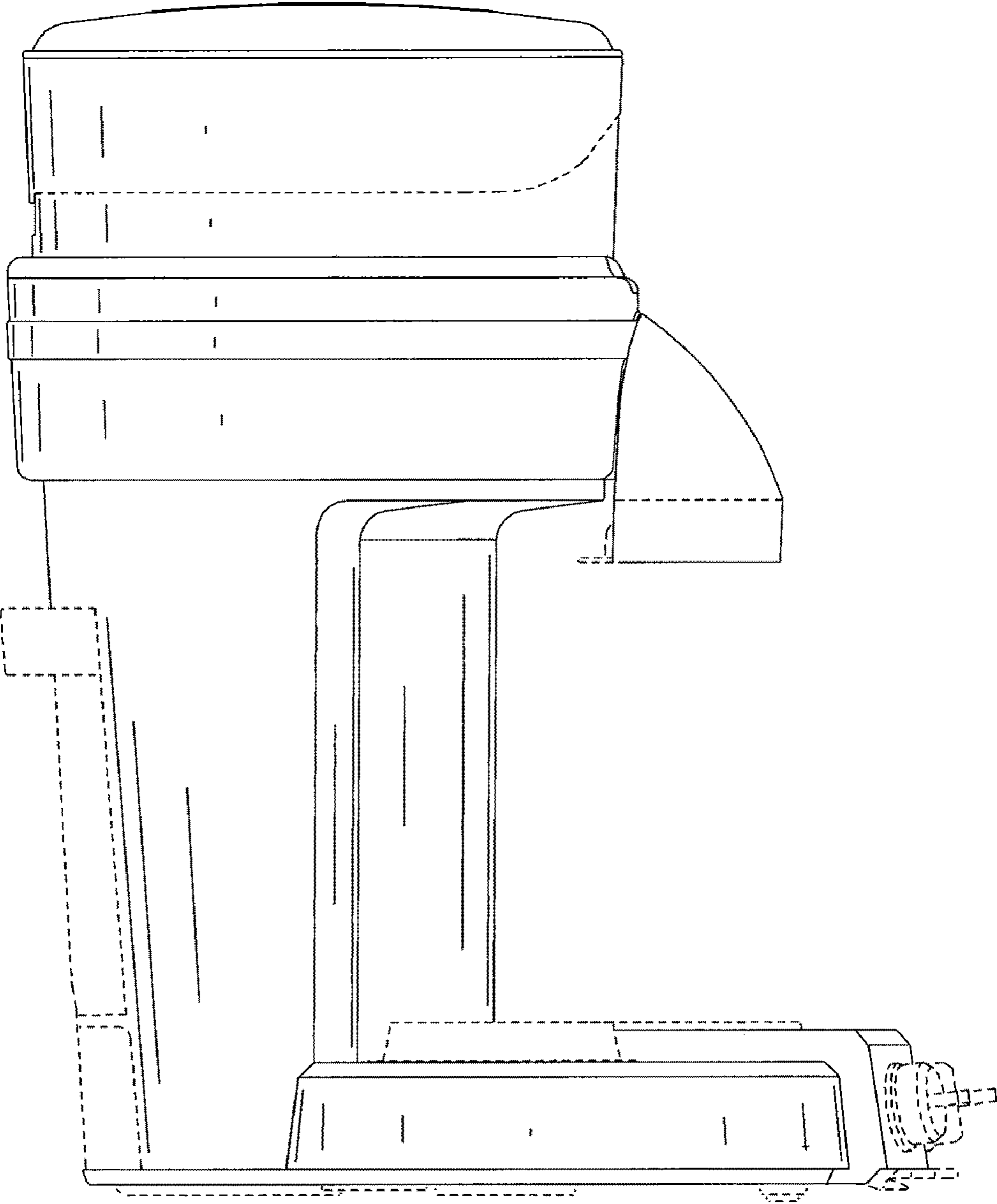


FIG 2

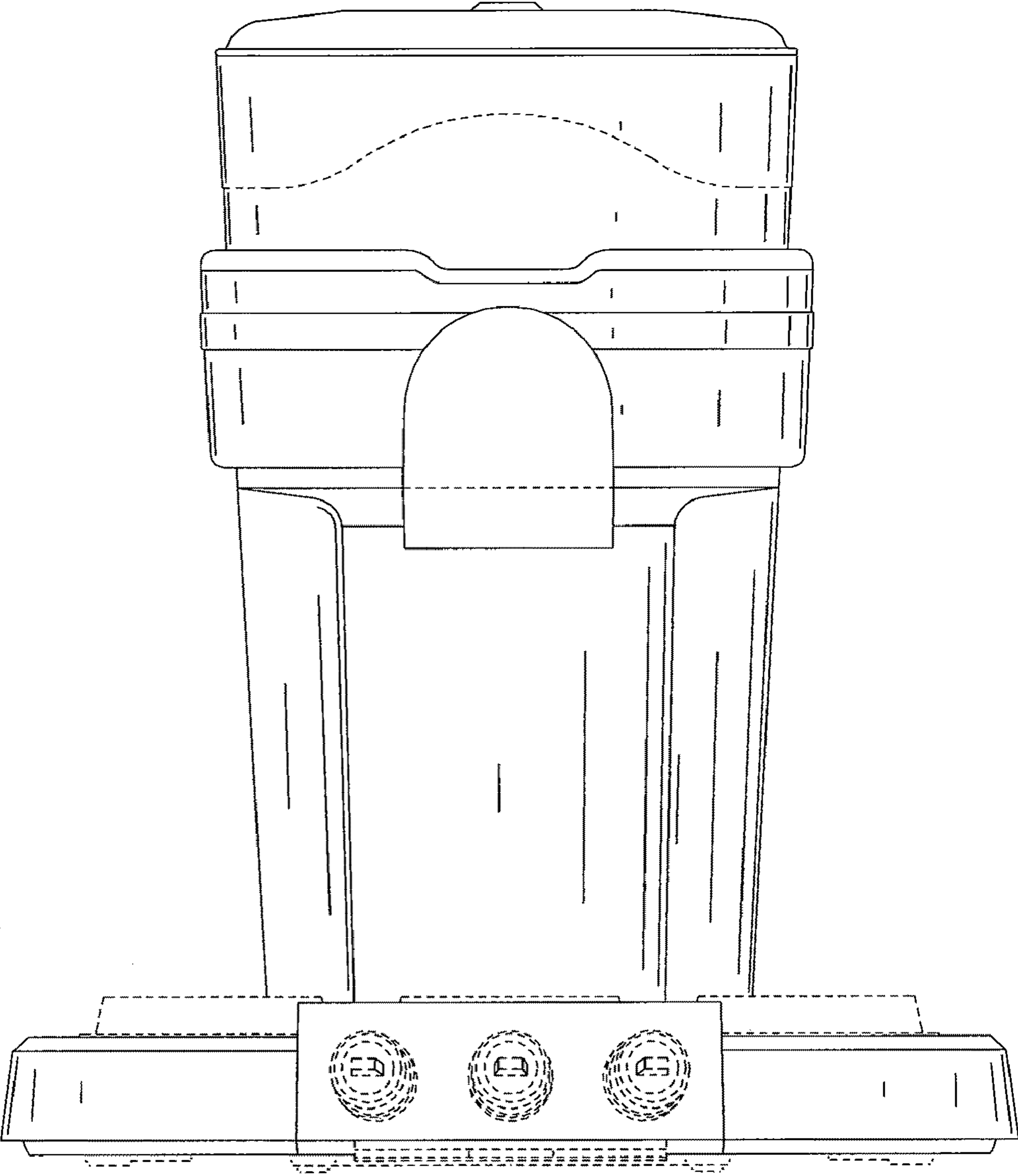


FIG 3

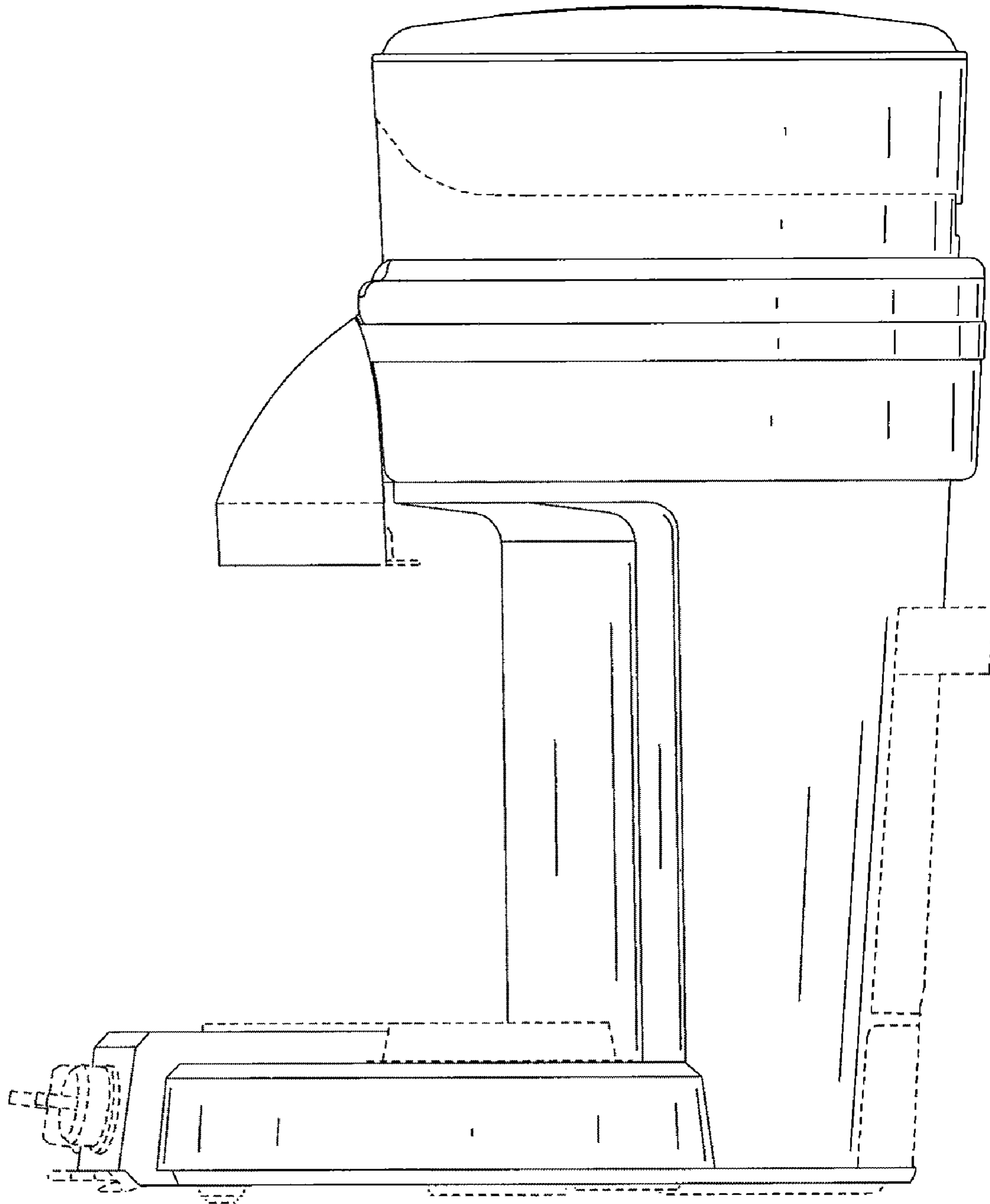


FIG 4

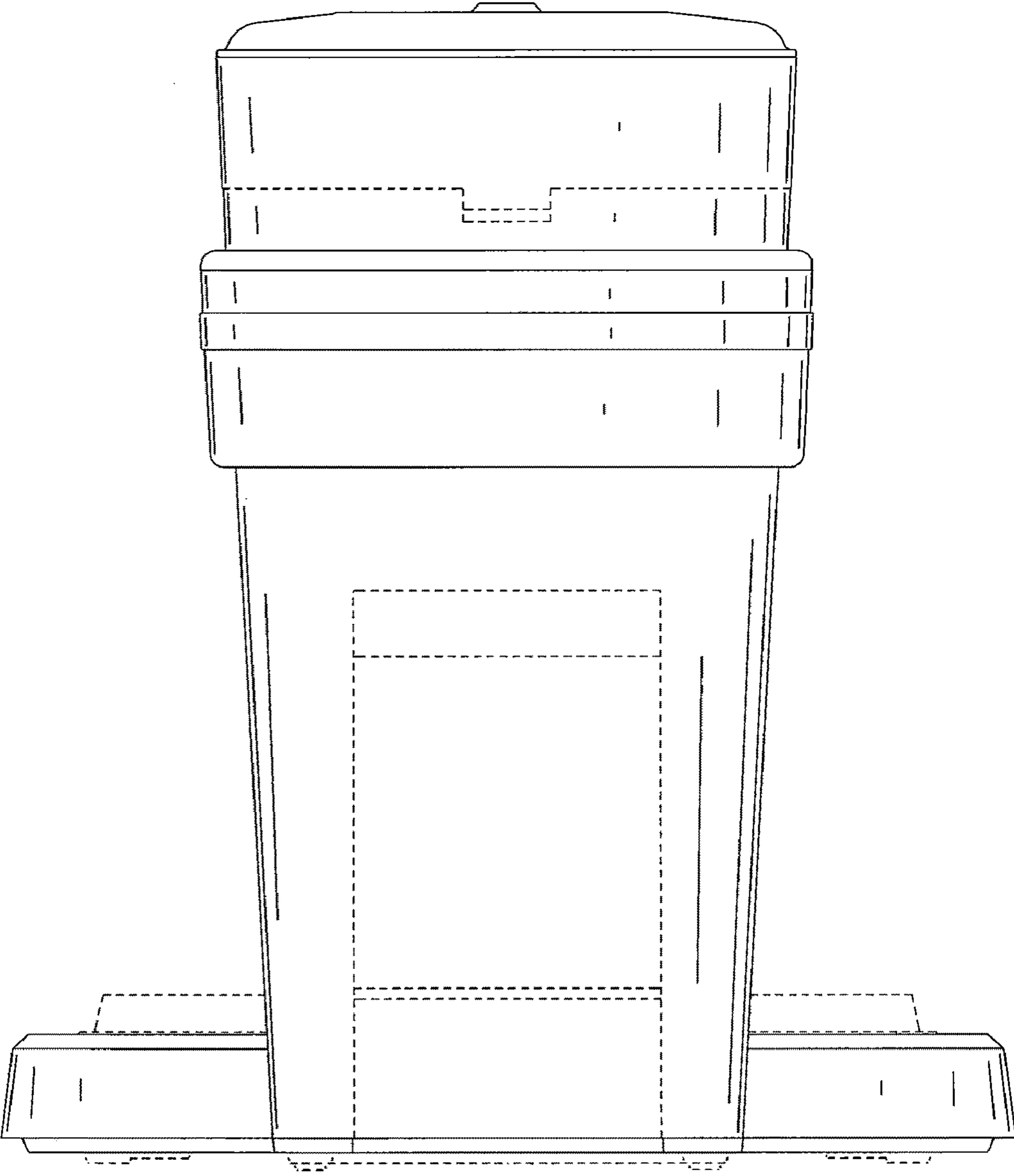


FIG 5

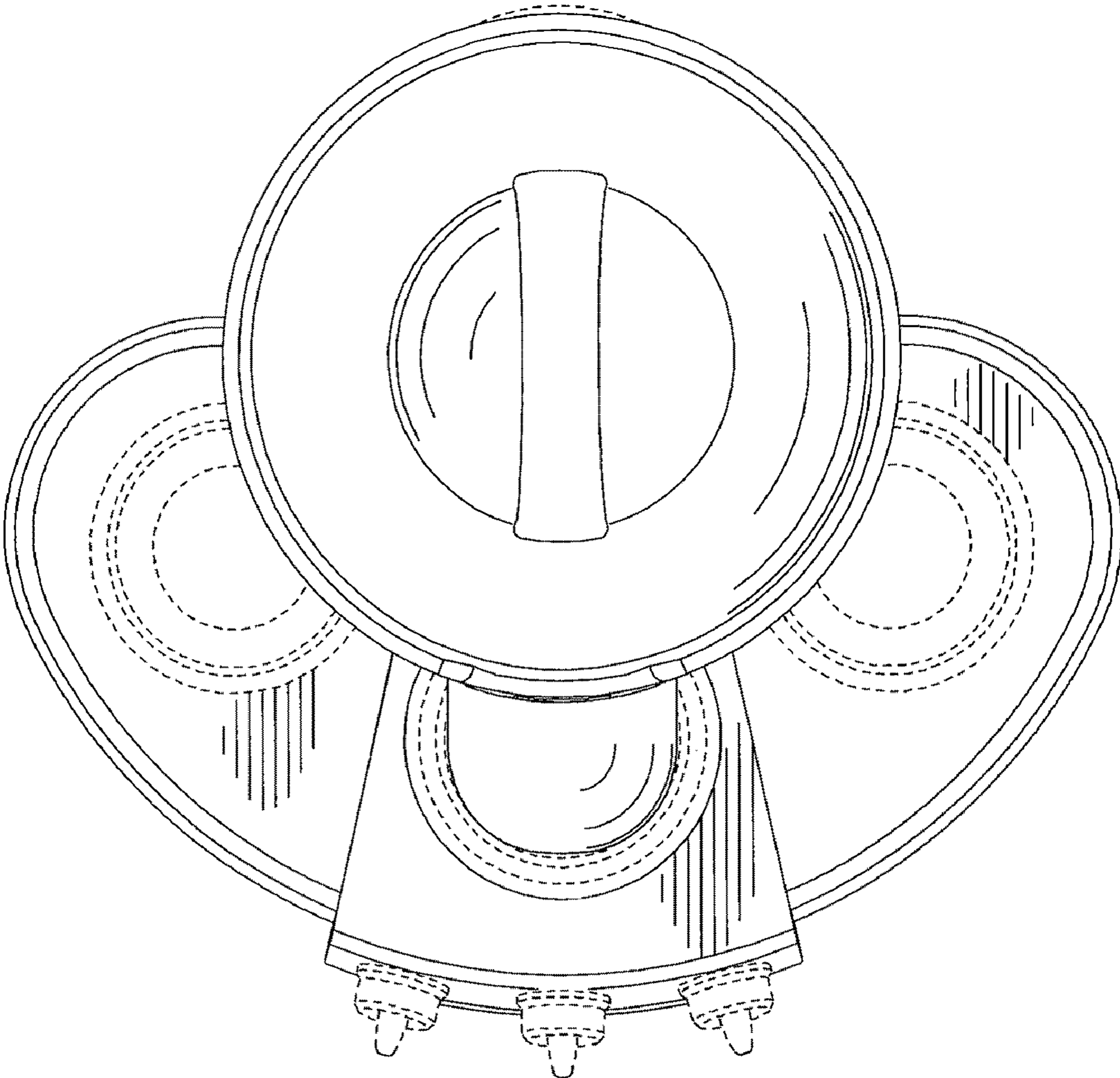


FIG 6

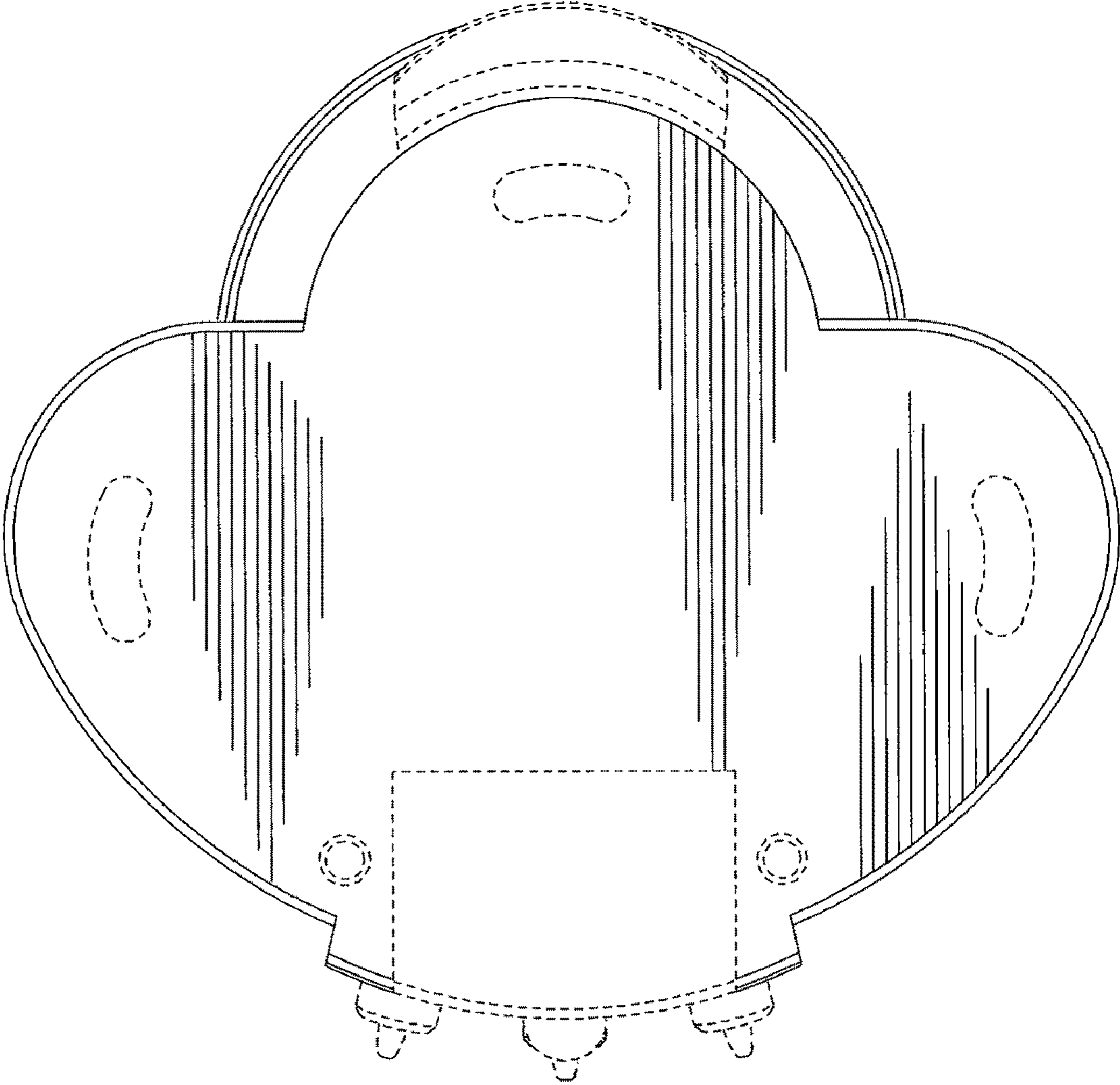


FIG 7