



US00D587519S

(12) **United States Design Patent**  
**Cheng et al.**

(10) **Patent No.:** **US D587,519 S**  
(45) **Date of Patent:** **\*\* Mar. 3, 2009**

(54) **COVERED SAUTE PAN**

(75) Inventors: **Stanley Kin Sui Cheng**, Vallejo, CA  
(US); **Robert A. Rae**, Danville, CA (US)

(73) Assignee: **Meyer Intellectual Properties Limited**  
(VG)

(\*\*) Term: **14 Years**

(21) Appl. No.: **29/301,654**

(22) Filed: **Mar. 10, 2008**

(51) **LOC (9) Cl.** ..... **07-02**

(52) **U.S. Cl.** ..... **D7/360**

(58) **Field of Classification Search** ..... D7/323,  
D7/337, 352–361, 365, 378–379, 383–384,  
D7/391–396.1, 402, 542–543, 545, 560;  
99/140 R, 324, 339, 345, 403, 422, 425, 445;  
219/620–622, 725–730; 220/203.01, 377,  
220/573.1–574, 769, 912; 222/146.1, 572  
See application file for complete search history.

(56) **References Cited**

**U.S. PATENT DOCUMENTS**

D426,107 S *	6/2000	Cheng	.....	D7/393
D450,217 S *	11/2001	Rae	.....	D7/393
D477,967 S *	8/2003	Burton et al.	.....	D7/395
D480,262 S *	10/2003	Smekh	.....	D7/360
D482,233 S *	11/2003	Rae	.....	D7/393
D497,513 S *	10/2004	Rae	.....	D7/394
6,848,592 B2 *	2/2005	Logiudice	.....	220/377
D505,046 S *	5/2005	Rae	.....	D7/395

D514,379 S *	2/2006	Kerr et al.	.....	D7/395
D534,031 S *	12/2006	Roussard	.....	D7/358
D555,421 S *	11/2007	Thurlo et al.	.....	D7/393
D559,032 S *	1/2008	Kellermann et al.	.....	D7/354
D575,982 S *	9/2008	Rae	.....	D7/393

\* cited by examiner

*Primary Examiner*—Caron Veynar

*Assistant Examiner*—Ricky Pham

(74) *Attorney, Agent, or Firm*—Edward S. Shuman

(57) **CLAIM**

The ornamental design for a covered sauté pan, as shown and described.

**DESCRIPTION**

FIG. 1 is a top perspective view a covered sauté pan showing my new design; shown with the cover removed for completeness of illustration;

FIG. 2 is a bottom perspective view of the cover of FIG. 1; shown separately for ease of illustration;

FIG. 3 is a plan view of the bottom of the cover thereof;

FIG. 4 is a right side elevational view of the covered sauté pan;

FIG. 5 top plan view thereof;

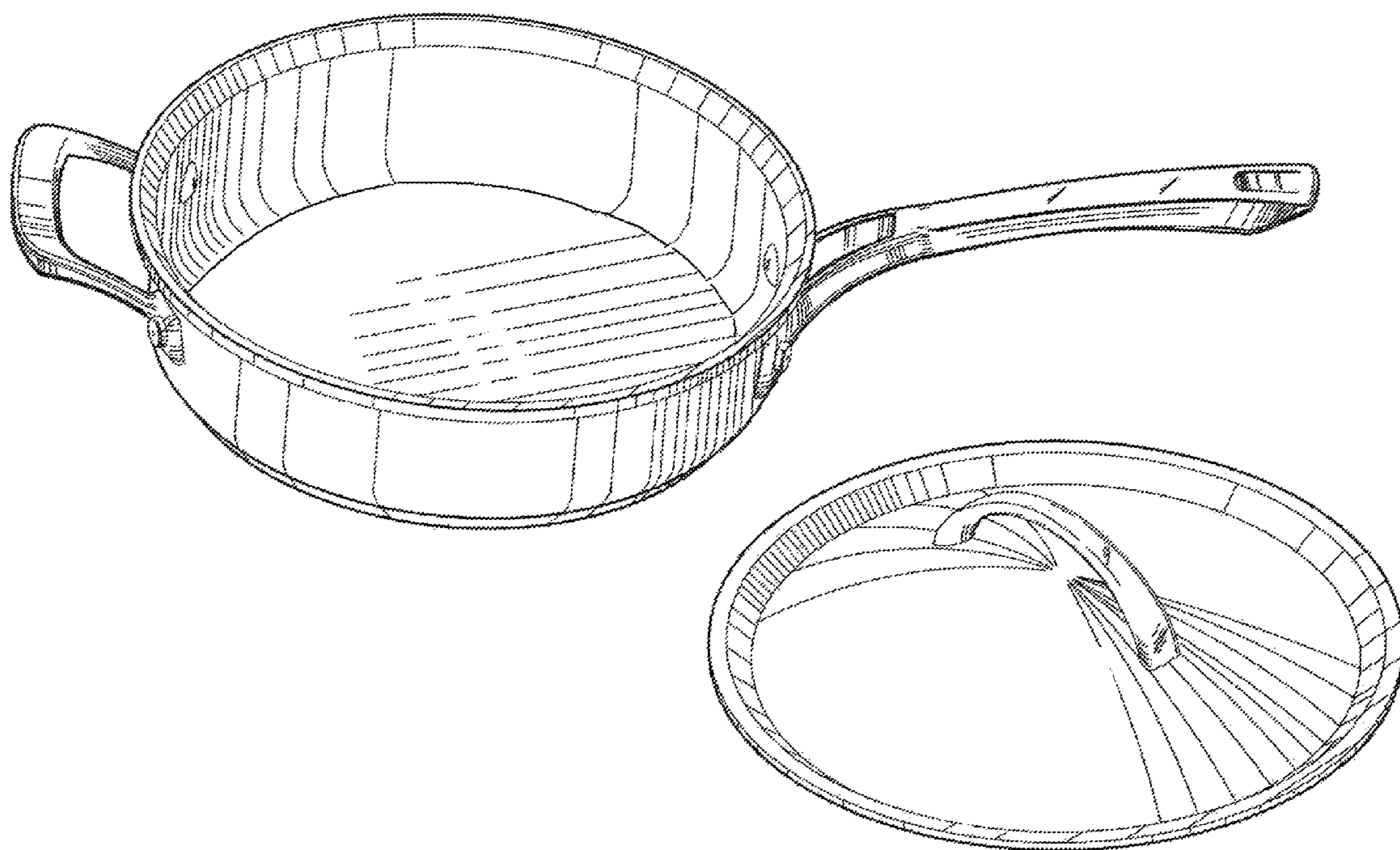
FIG. 6 is a back elevation view thereof;

FIG. 7 is a side elevation view of the cover of FIG. 2;

FIG. 8 is a front elevation view of FIG. 6; and,

FIG. 9 is a bottom plan view thereof.

**1 Claim, 9 Drawing Sheets**



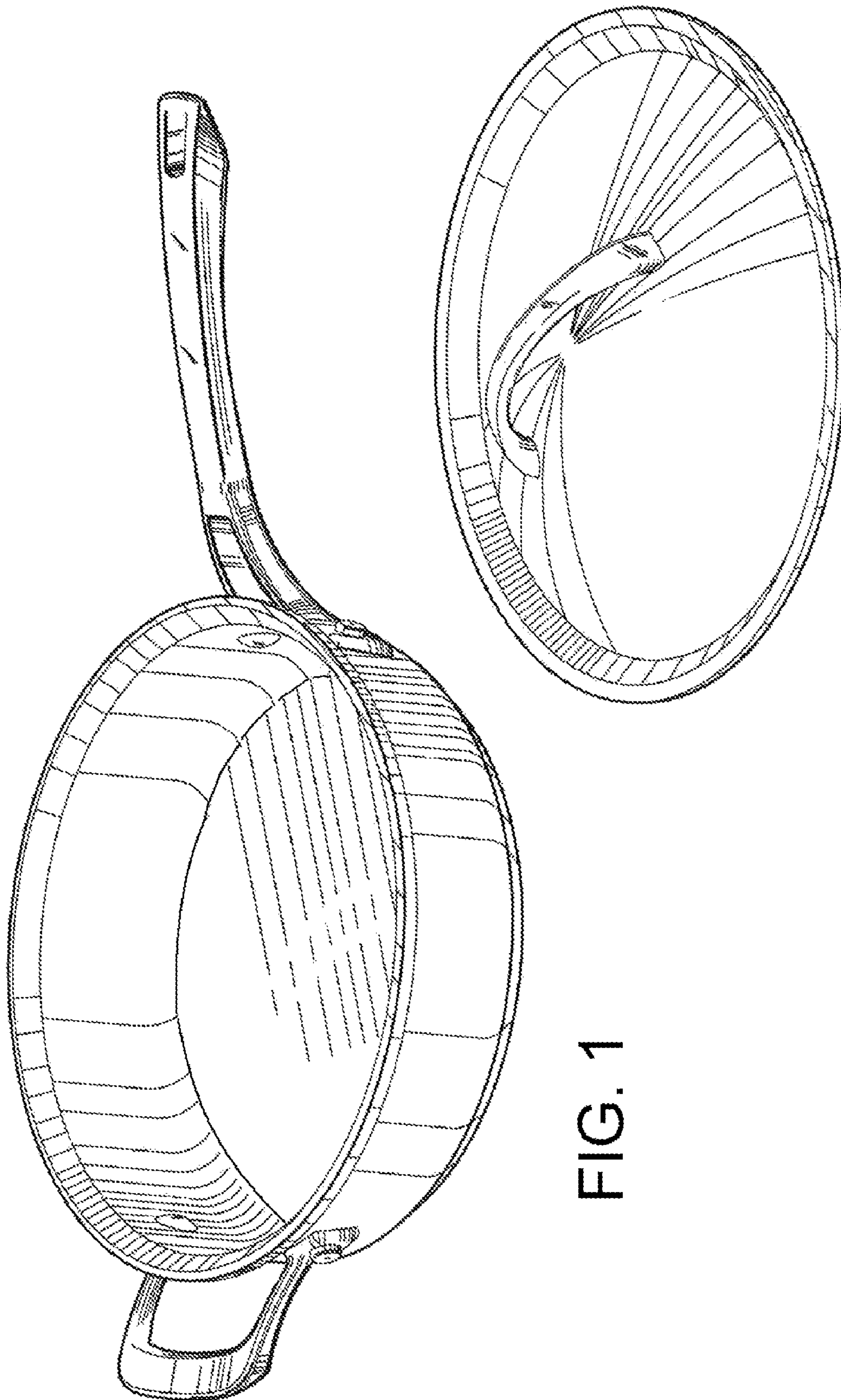


FIG. 1

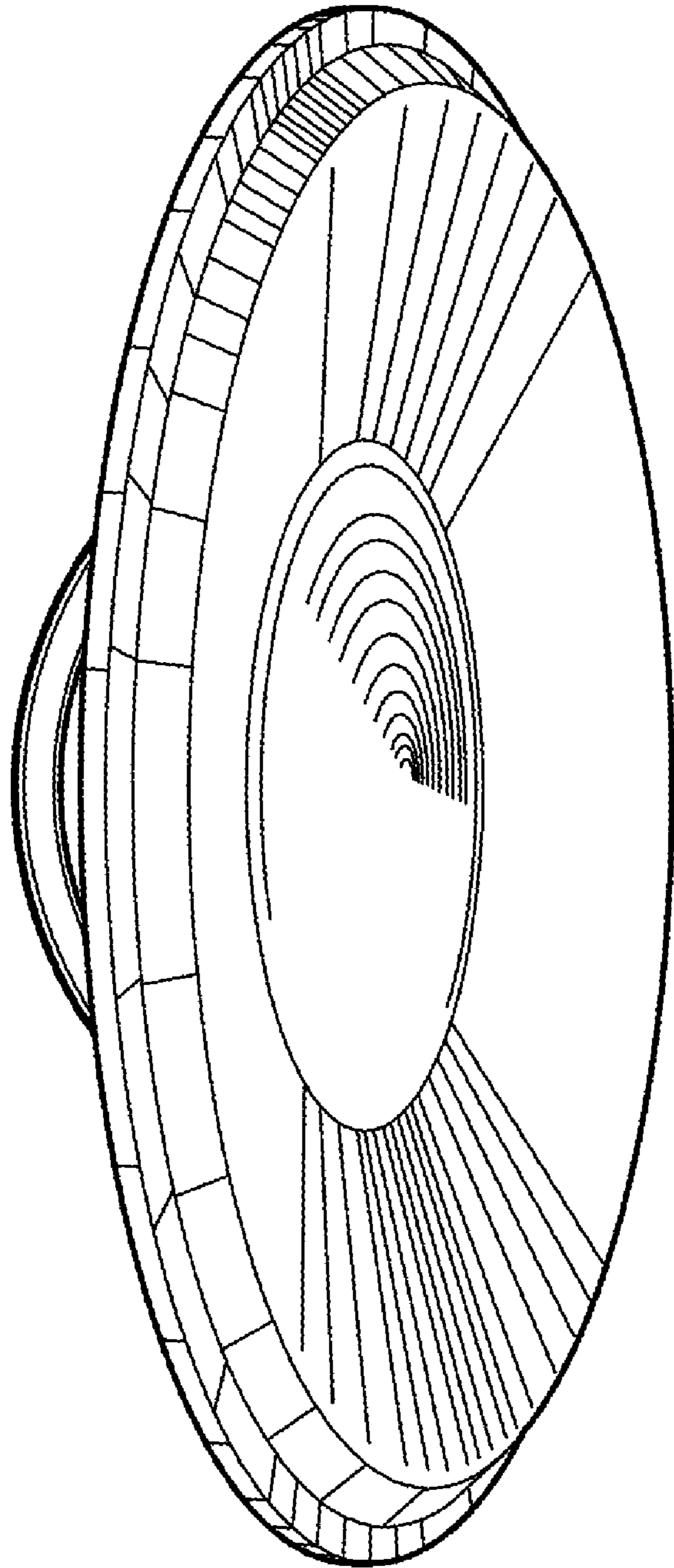


FIG. 2

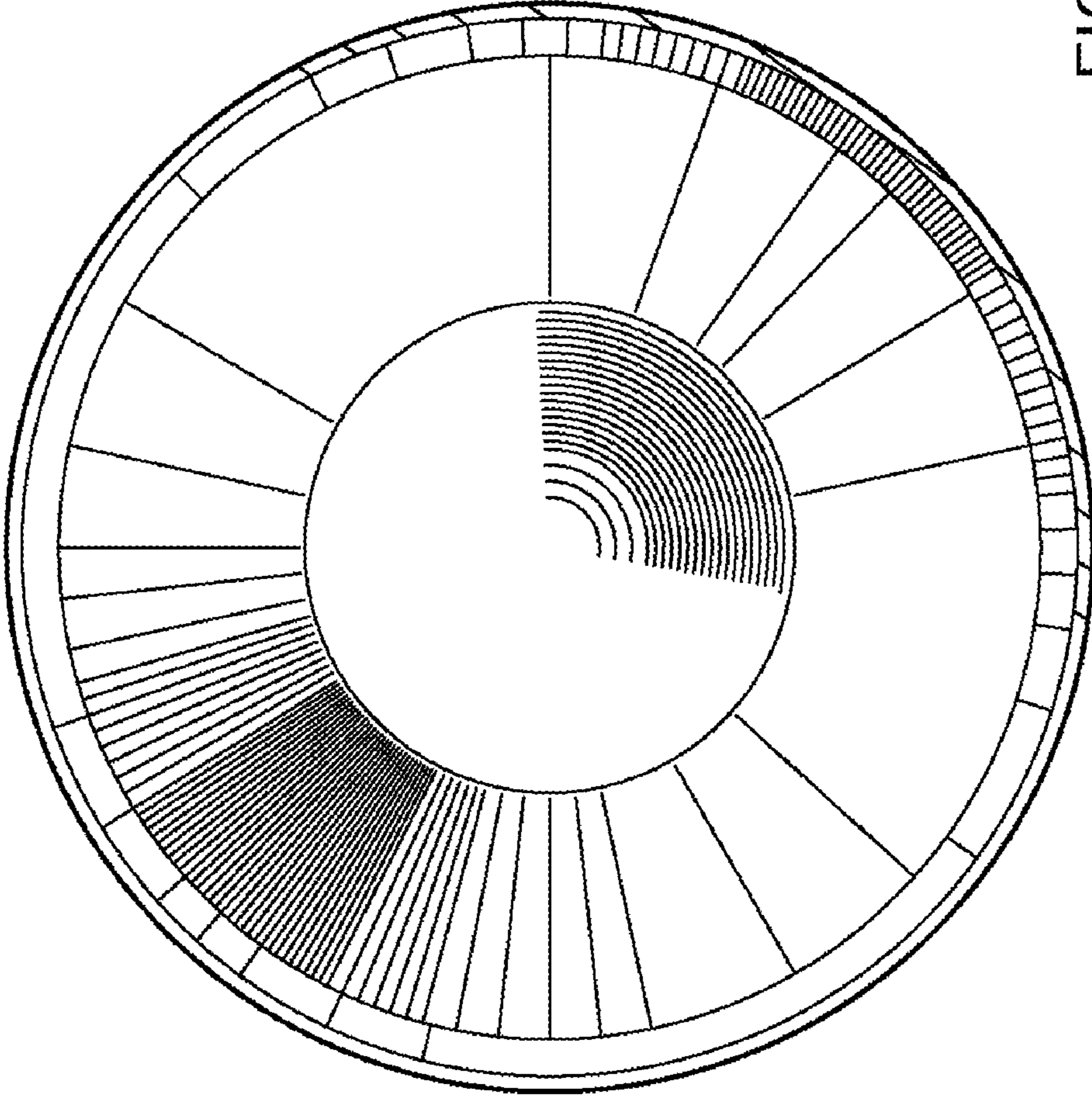


FIG. 3

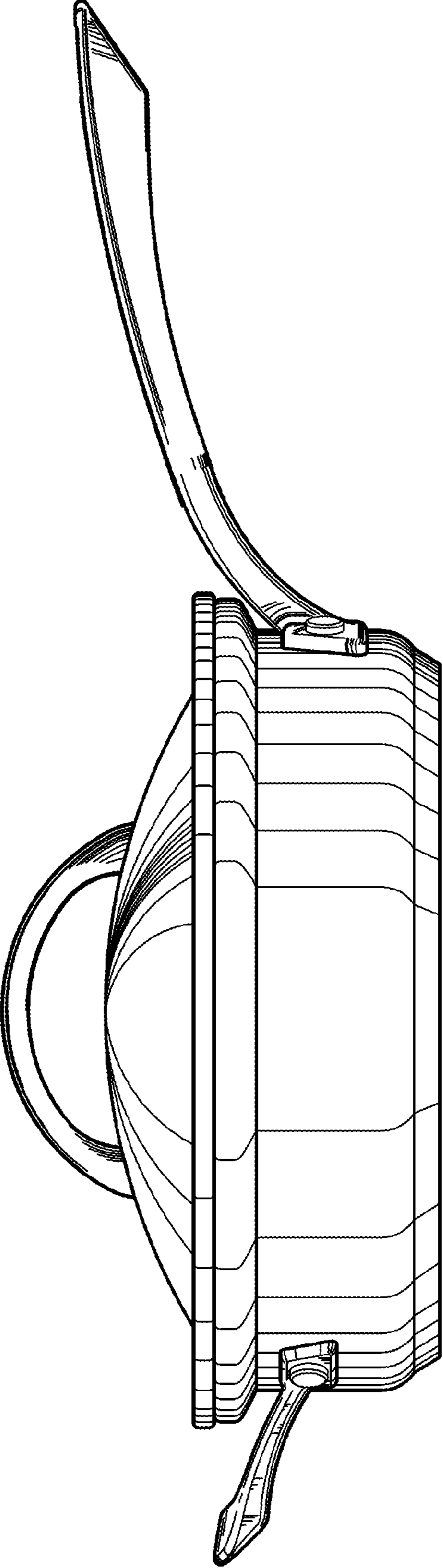


FIG.4

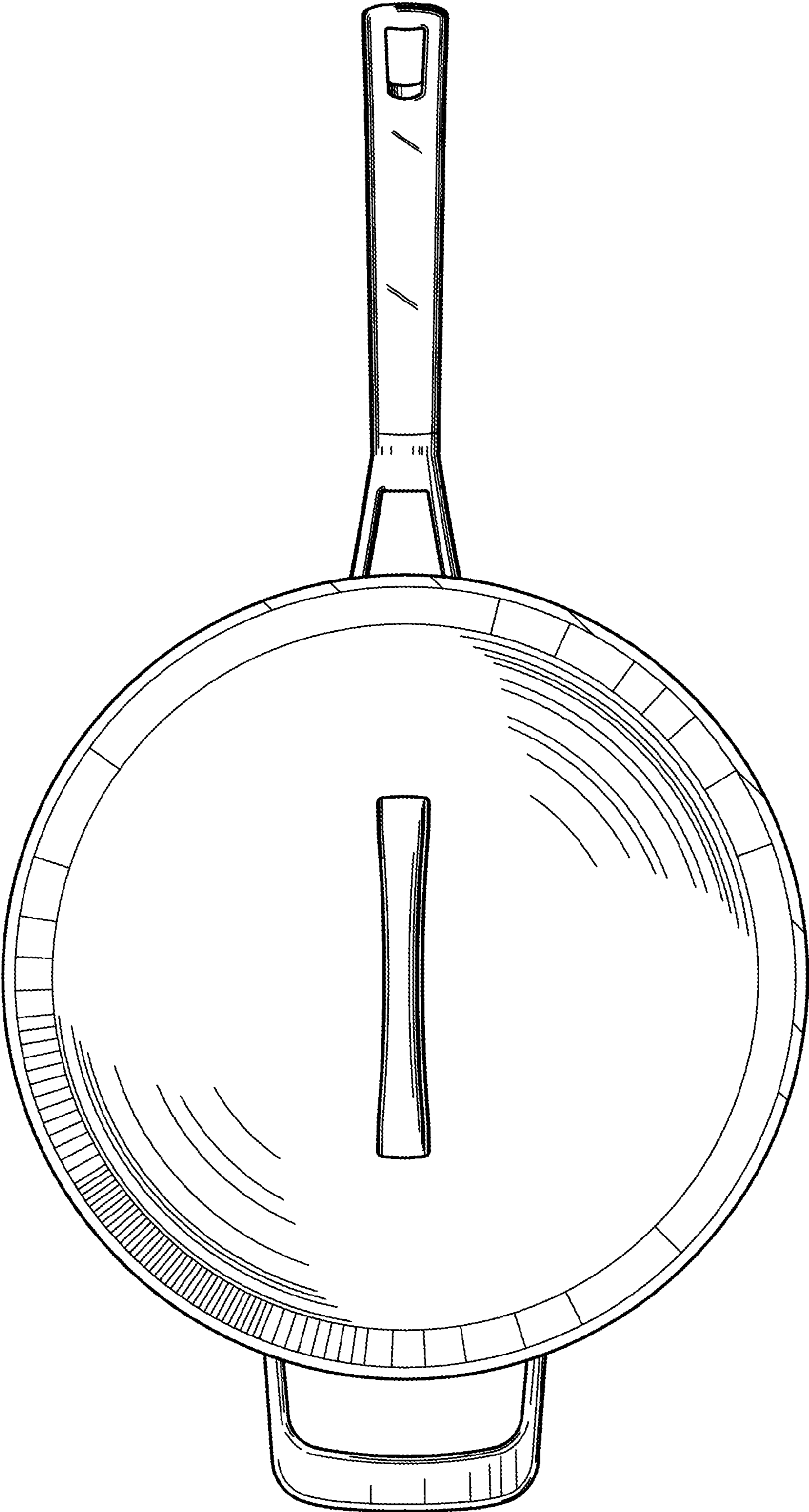


FIG. 5

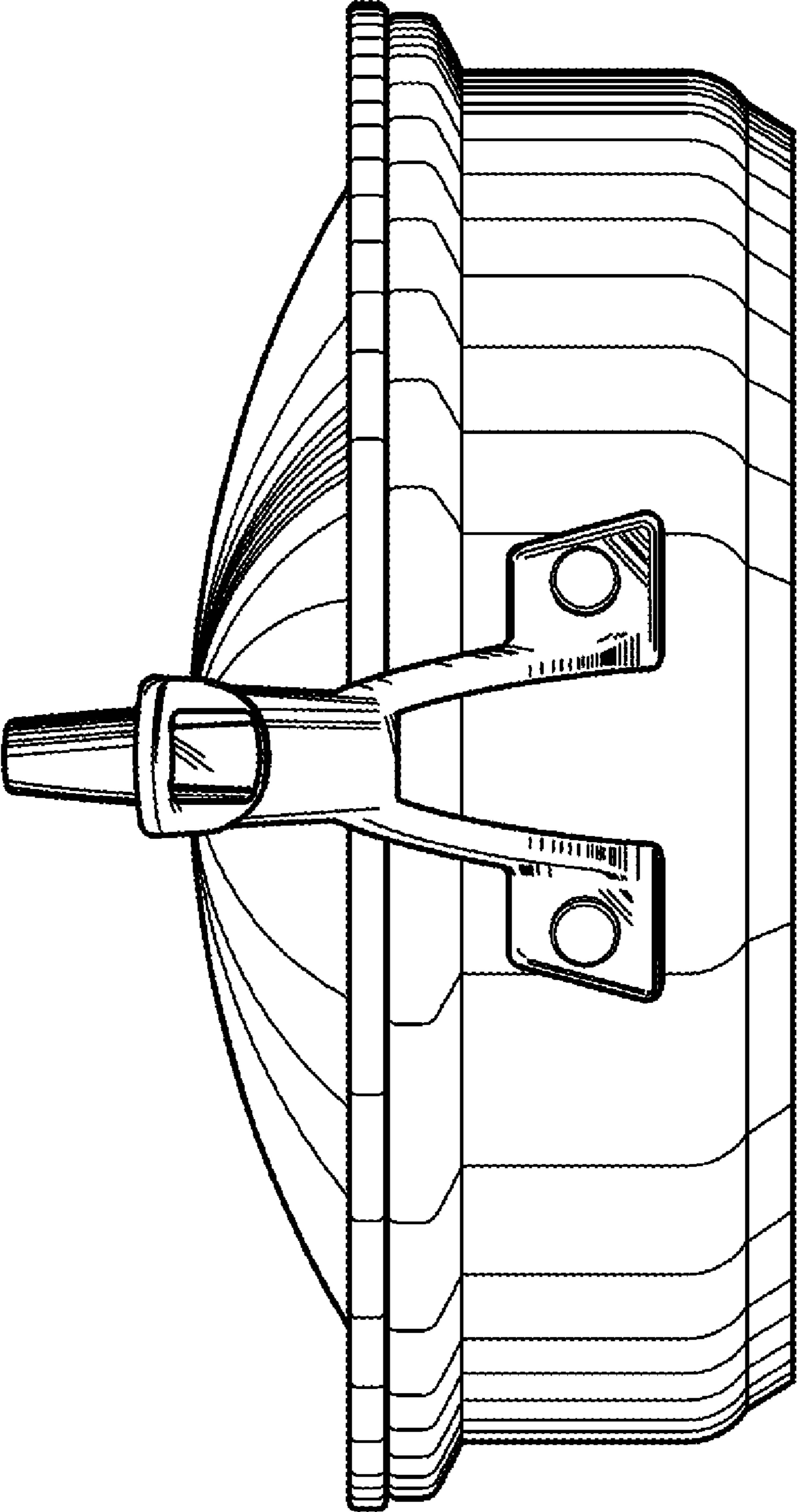


FIG.6

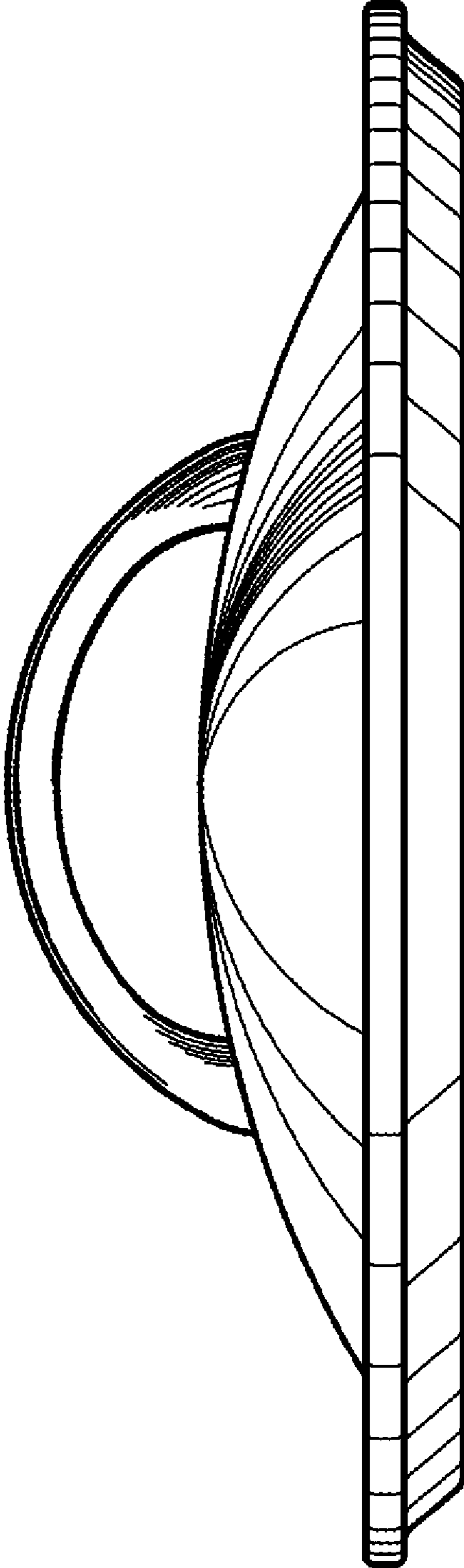


FIG. 7



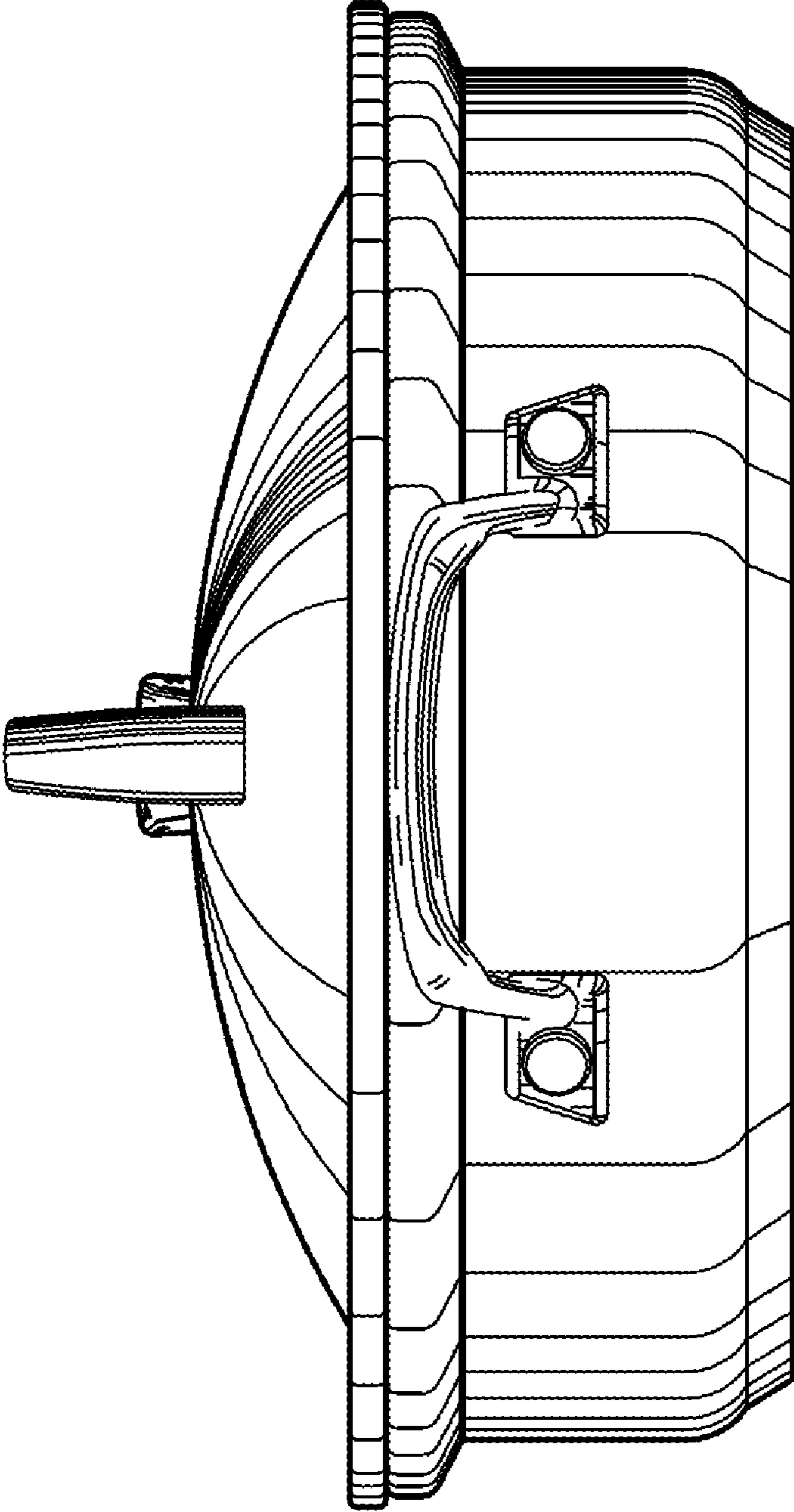


FIG. 8

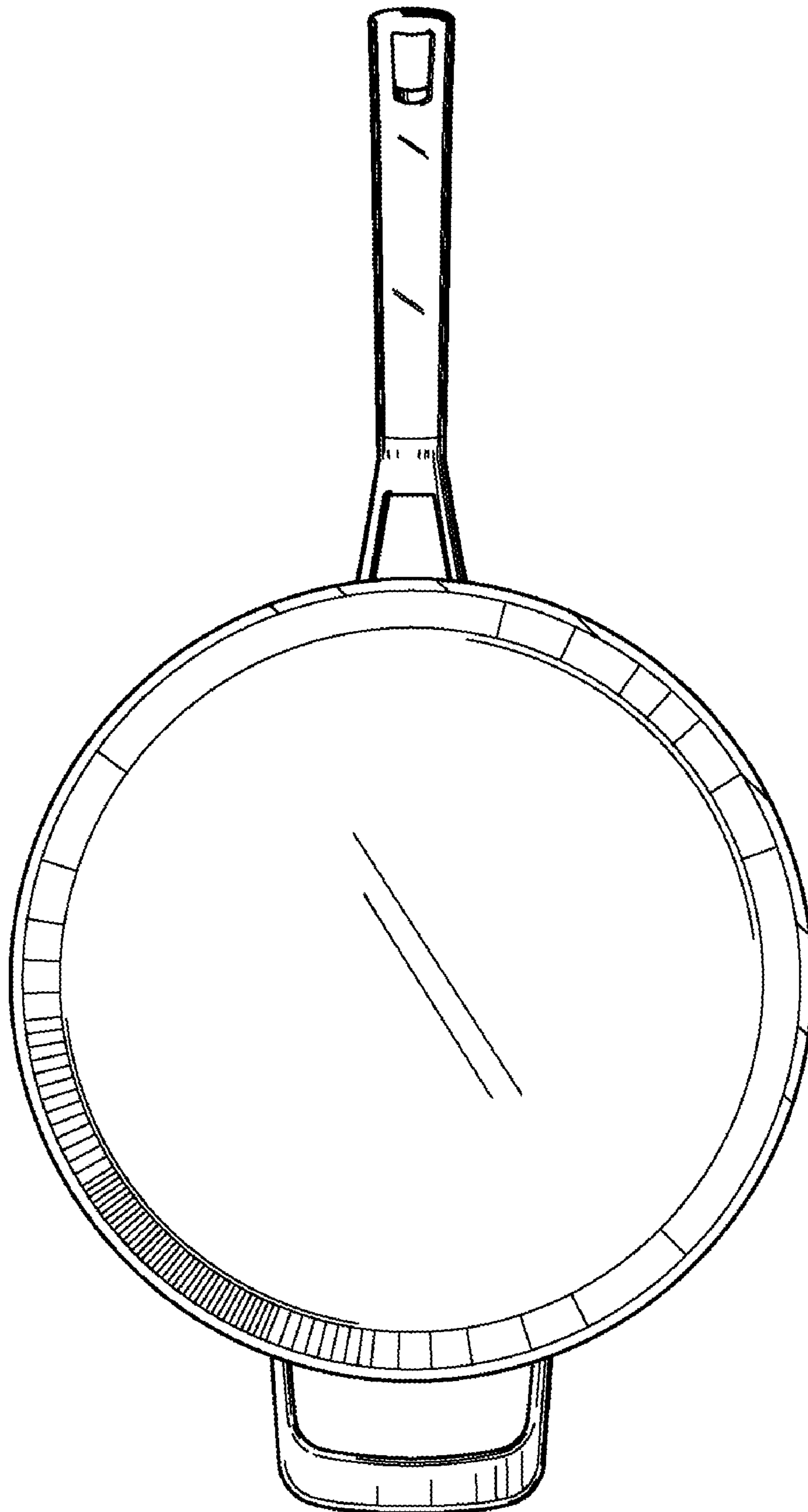


FIG. 9