

US00D587516S

(12) **United States Design Patent**  
**Hopkins**

(10) **Patent No.:** **US D587,516 S**

(45) **Date of Patent:** **\*\* Mar. 3, 2009**

(54) **EGG COOKER**

\* cited by examiner

(76) Inventor: **Dale Hopkins**, 37105 Highway 41, Old Town, ID (US) 83822

*Primary Examiner*—Catherine R Oliver  
(74) *Attorney, Agent, or Firm*—Bergman & Jeckle PLLC

(\*\*) Term: **14 Years**

(57) **CLAIM**

(21) Appl. No.: **29/307,934**

The ornamental design for an egg cooker, as shown and described.

(22) Filed: **May 21, 2008**

**DESCRIPTION**

(51) **LOC (9) Cl.** ..... **07-02**

(52) **U.S. Cl.** ..... **D7/354; D7/323**

(58) **Field of Classification Search** ..... D7/323,  
D7/352-361, 503, 500, 357; 426/515; 99/419,  
99/440, 323.3, 324-325, 336, 339-341, 357,  
99/372, 376, 646 R; 249/55, 101  
See application file for complete search history.

FIG. 1 is a top and side perspective view of an egg cooker showing my new design;

FIG. 2 is a side view thereof;

FIG. 3 is an opposite side view thereof;

FIG. 4 is a top plan view thereof;

FIG. 5 is a bottom plan view thereof;

FIG. 6 is a bottom and side view showing the top detached from the body; and,

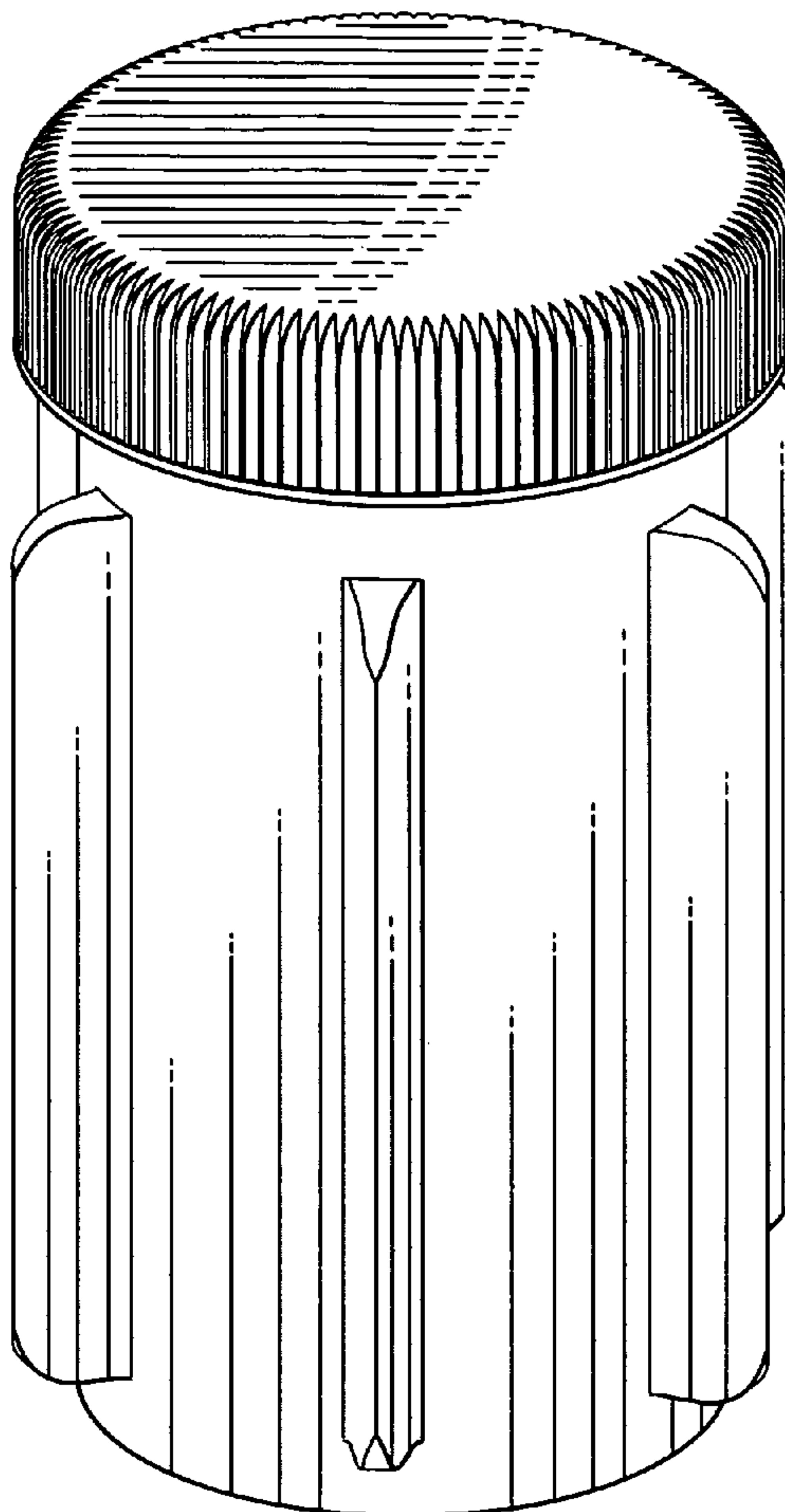
FIG. 7 is a top and side view showing the top detached from the body.

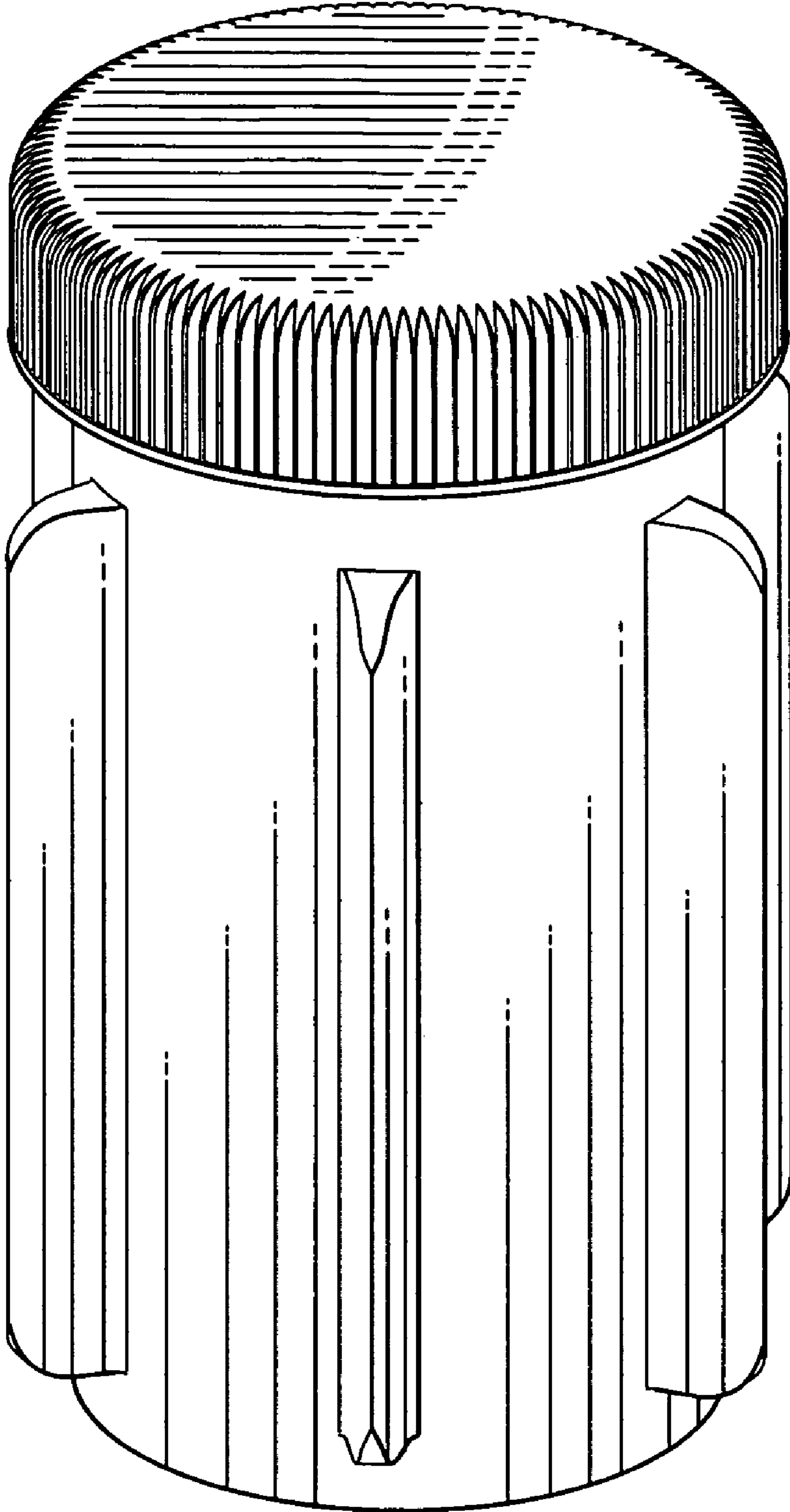
(56) **References Cited**

U.S. PATENT DOCUMENTS

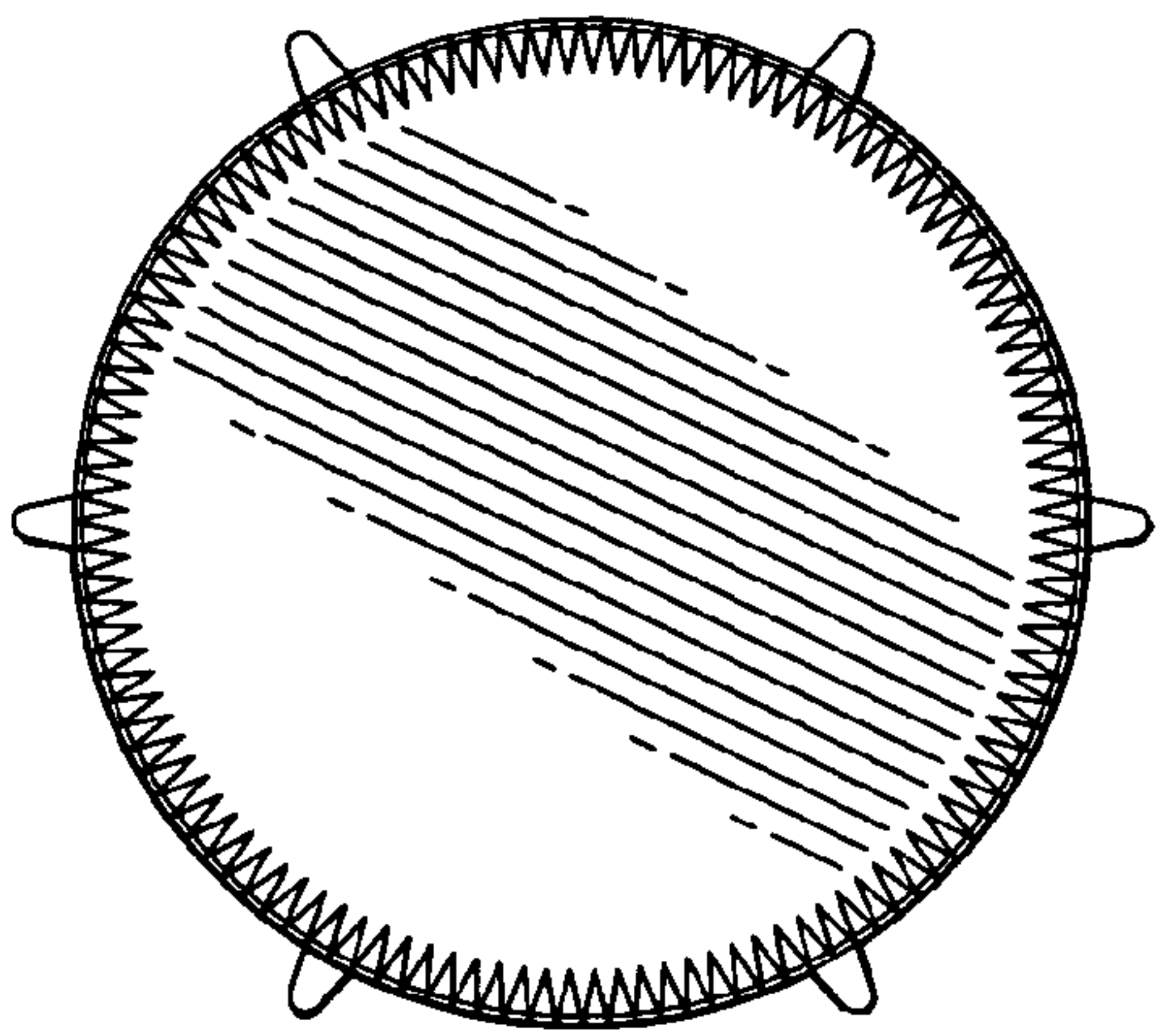
3,791,285	A	*	2/1974	Mack	.....	99/419
D436,286	S	*	1/2001	Lin	.....	D7/354
D441,596	S	*	5/2001	Fernandez	.....	D7/354
D556,500	S	*	12/2007	Spagnolo	.....	D7/323

**1 Claim, 3 Drawing Sheets**

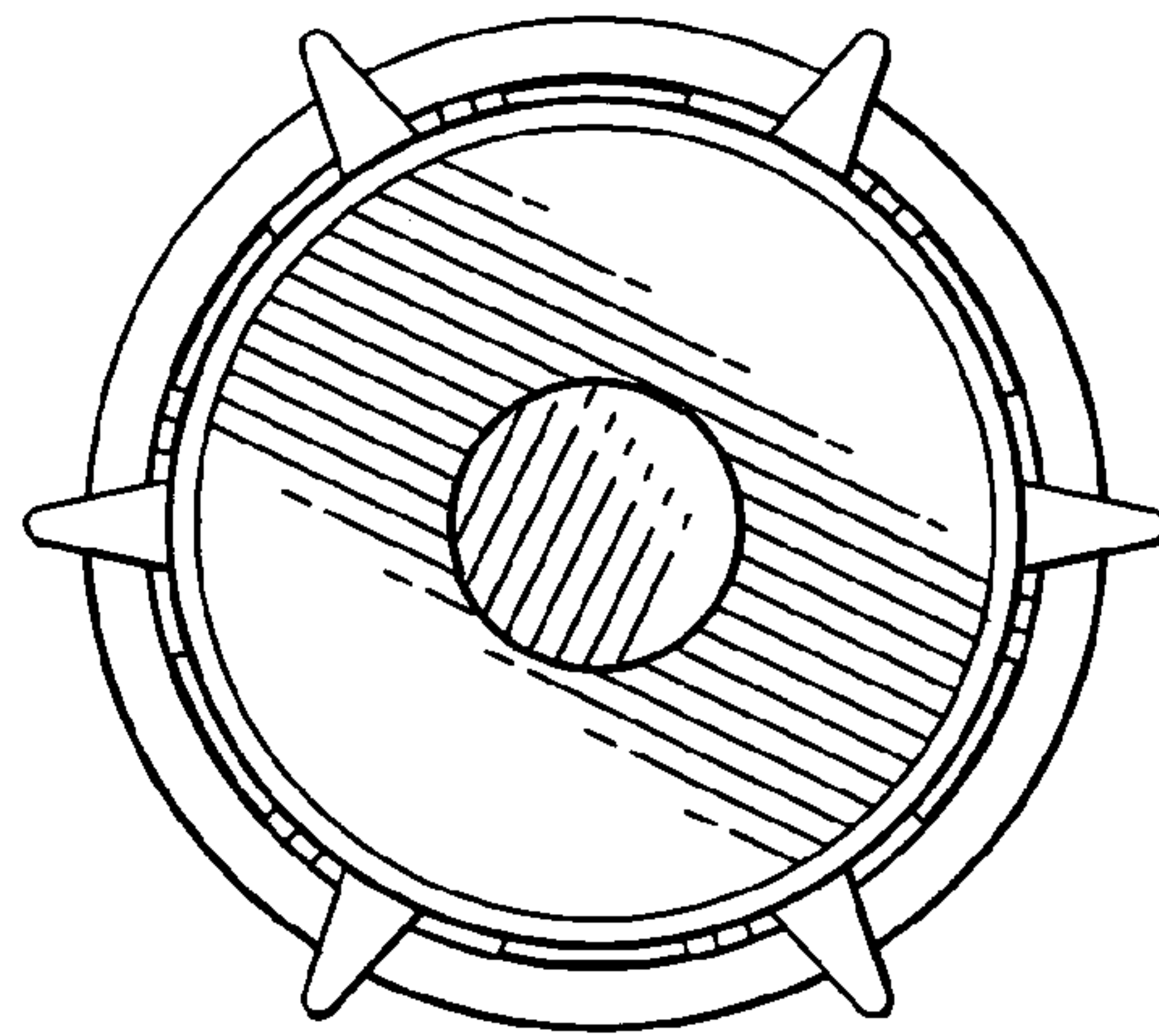




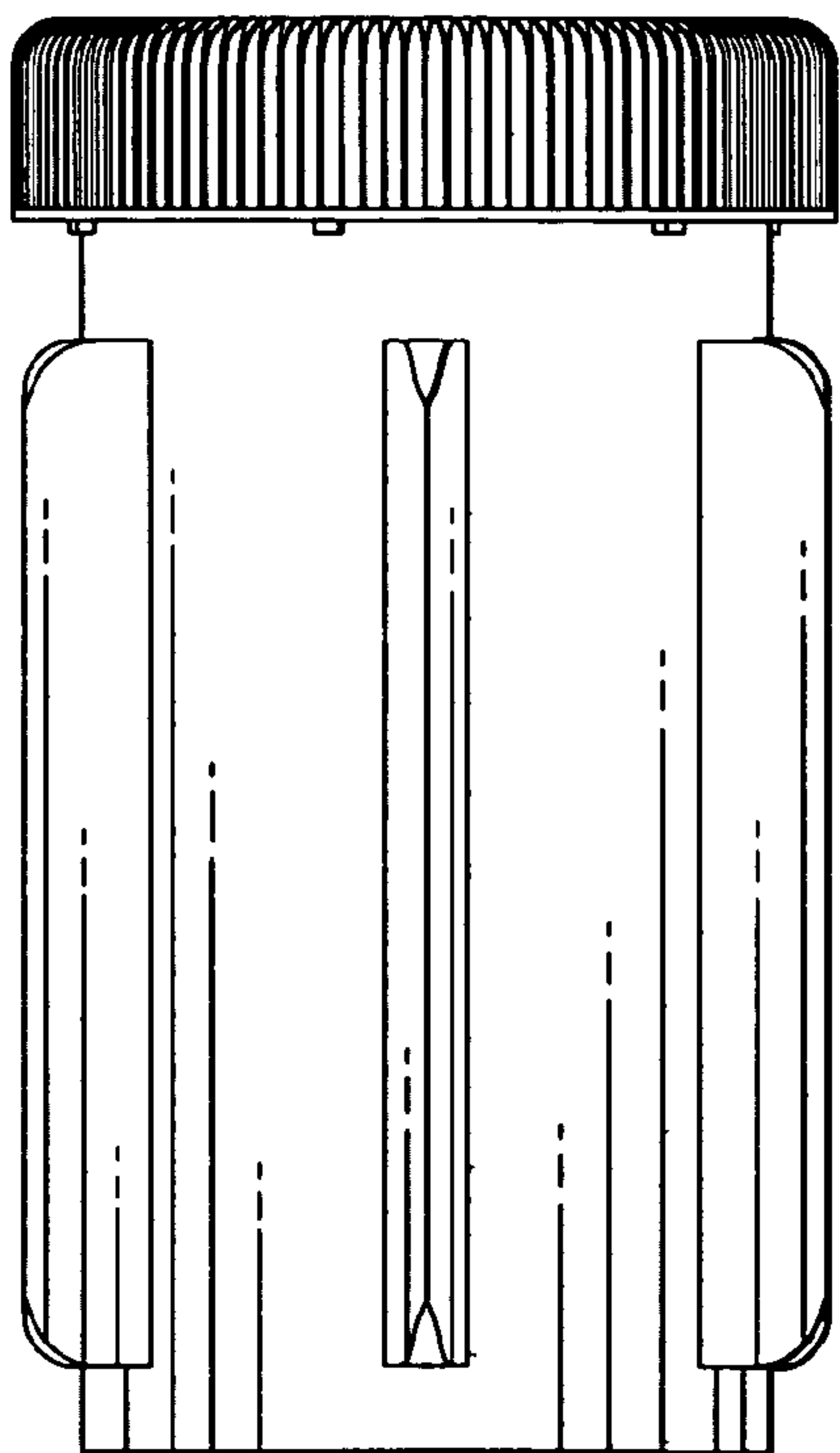
*FIG. 1*



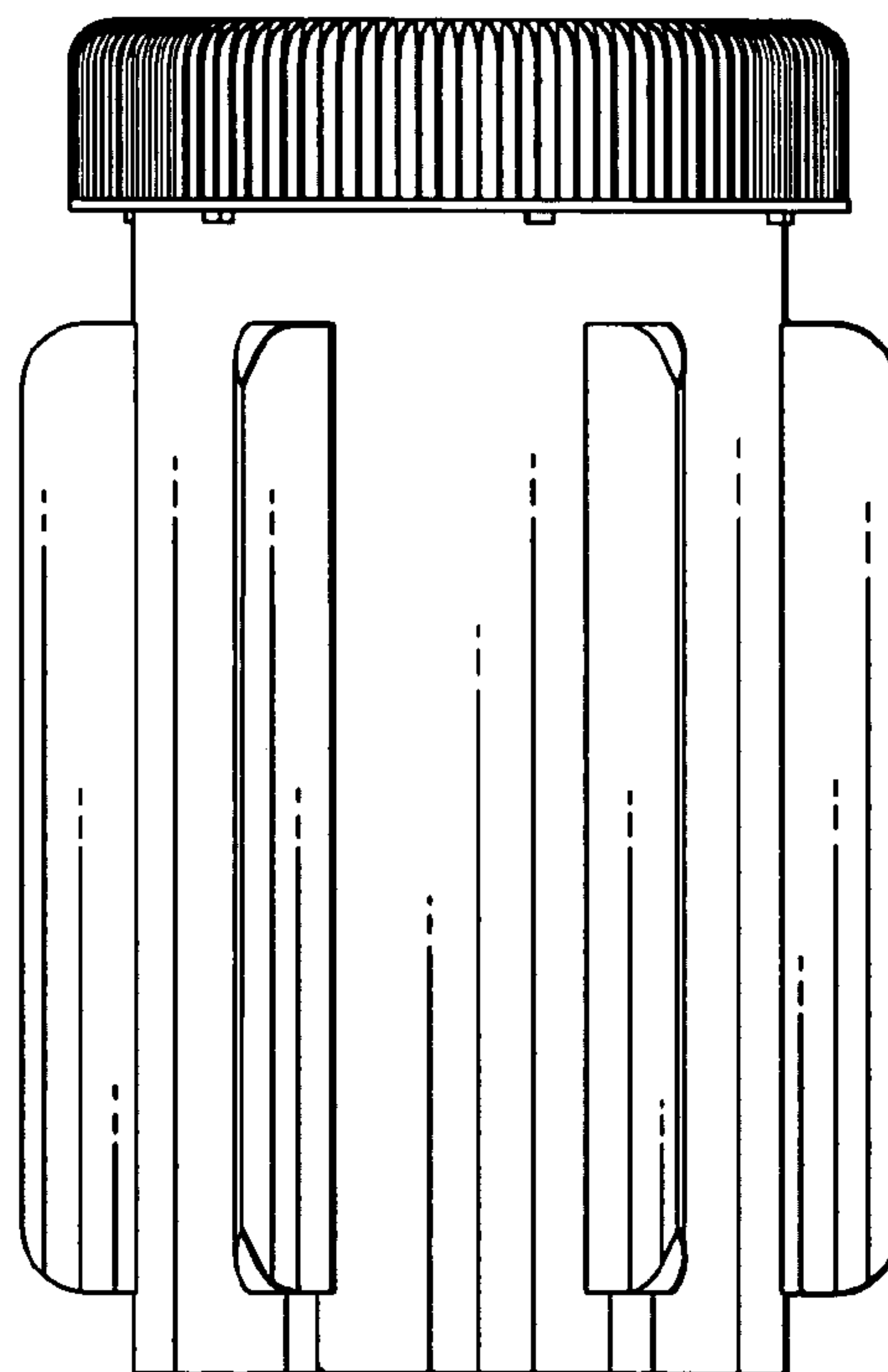
*FIG. 4*



*FIG. 5*

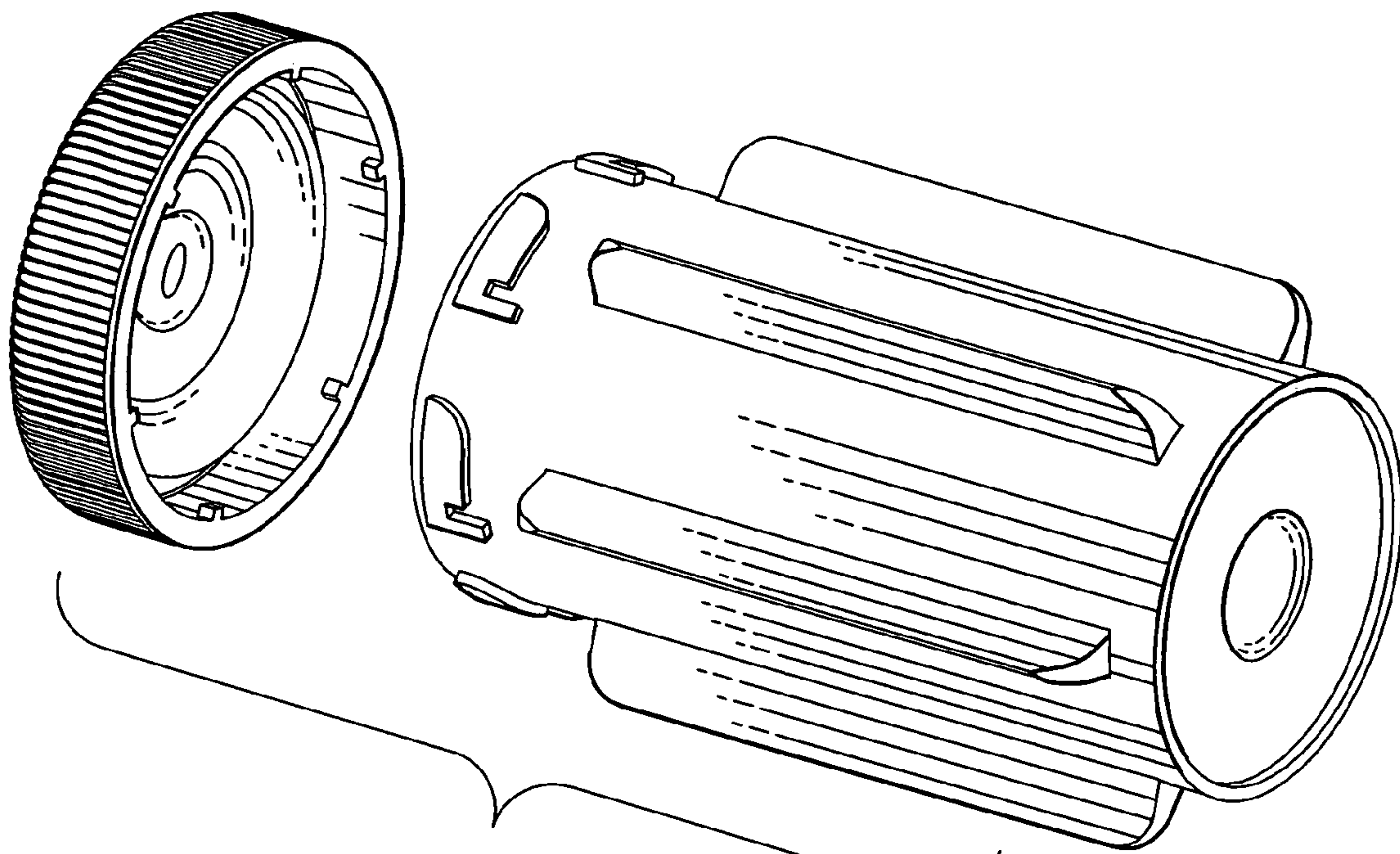


*FIG. 2*

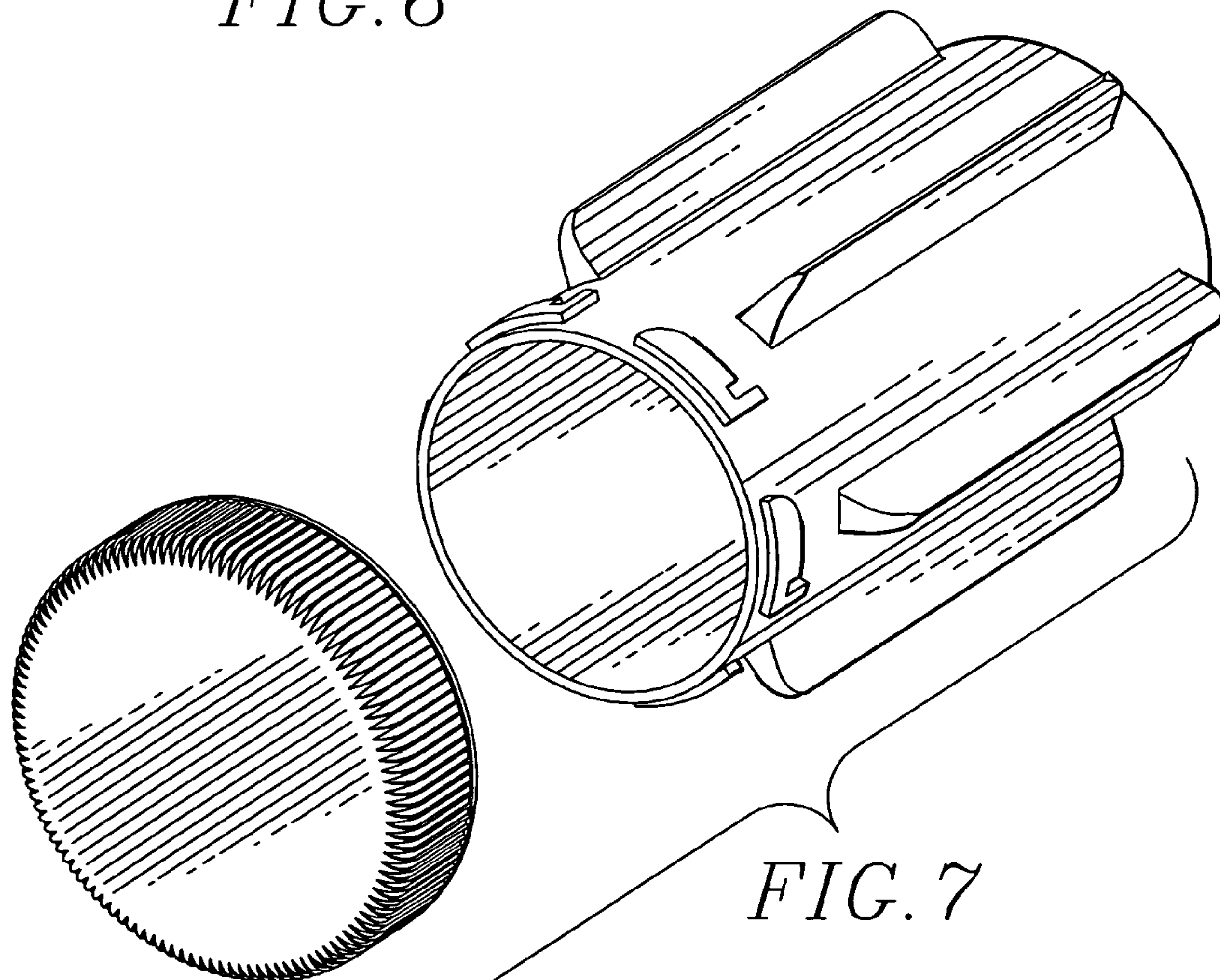


*FIG. 3*





*FIG. 6*



*FIG. 7*