



US00D587515S

(12) **United States Design Patent**
Cheng

(10) **Patent No.:** **US D587,515 S**
(45) **Date of Patent:** **** Mar. 3, 2009**

(54) **OVAL SKILLET WITH POCKET**

(75) Inventor: **Stanley Kin Sui Cheng**, Vallejo, CA
(US)

(73) Assignee: **Meyer Intellectual Properties Limited**
(VG)

(**) Term: **14 Years**

(21) Appl. No.: **29/303,519**

(22) Filed: **Feb. 11, 2008**

(51) **LOC (9) Cl.** **07-02**

(52) **U.S. Cl.** **D7/354**

(58) **Field of Classification Search** D7/323,
D7/337, 354–361, 365, 378–379, 383–384,
D7/396.1, 500, 542–549, 550.1, 555, 560,
D7/566–567, 584–588; D30/28–31; 99/403,
99/422, 425, 445; 220/203.01, 557, 573.1–574,
220/769, 912; 229/106

See application file for complete search history.

(56) **References Cited**

U.S. PATENT DOCUMENTS

D28,363	S	*	3/1898	Miller	D7/357
1,467,272	A		9/1923	Hazlehurst		
1,505,675	A		9/1924	Stim		
D160,132	S	*	9/1950	Stephen	D7/361
D162,905	S		4/1951	Utz		
D184,888	S	*	4/1959	Pickett	D7/555
D186,040	S	*	9/1959	Stageberg	D7/566
D186,041	S	*	9/1959	Stageberg	D7/566
D186,042	S	*	9/1959	Stageberg	D7/543
3,713,380	A		1/1973	Bardin		
4,462,388	A		7/1984	Bohl et al.		
D346,934	S	*	5/1994	Littlejohn	D7/549
D492,537	S		7/2004	Cheng		
D492,538	S		7/2004	Cheng		
D498,980	S	*	11/2004	Smith et al.	D7/549
6,990,893	B2		1/2006	Cheng		
D515,866	S	*	2/2006	Wiedmeyer et al.	D7/396.1
D513,380	S	*	3/2006	Kilders	D7/500

D525,831 S * 8/2006 Ray D7/566
D537,679 S * 3/2007 Majka D7/566
D562,078 S * 2/2008 Herssein D7/555

* cited by examiner

Primary Examiner—Caron Veynar

Assistant Examiner—Ricky Pham

(74) *Attorney, Agent, or Firm*—Edward S. Sherman

(57) **CLAIM**

The ornamental design for an oval skillet with pocket, as shown and described.

DESCRIPTION

FIG. 1 is a perspective view of the oval skillet with pocket showing my new design;

FIG. 2 is a top plan view thereof;

FIG. 3 is a right side elevation view thereof;

FIG. 4 is a front elevation view thereof;

FIG. 5 is a bottom plan view thereof;

FIG. 6 is a back elevation view of thereof;

FIG. 7 is a perspective view a second embodiment of my new design

FIG. 8 is a top plan view thereof;

FIG. 9 is a right side elevation view thereof;

FIG. 10 is a front elevation view thereof;

FIG. 11 is a bottom plan view thereof;

FIG. 12 is a back elevation view of thereof;

FIG. 13 is a perspective view a third embodiment of my new design

FIG. 14 is a top plan view thereof;

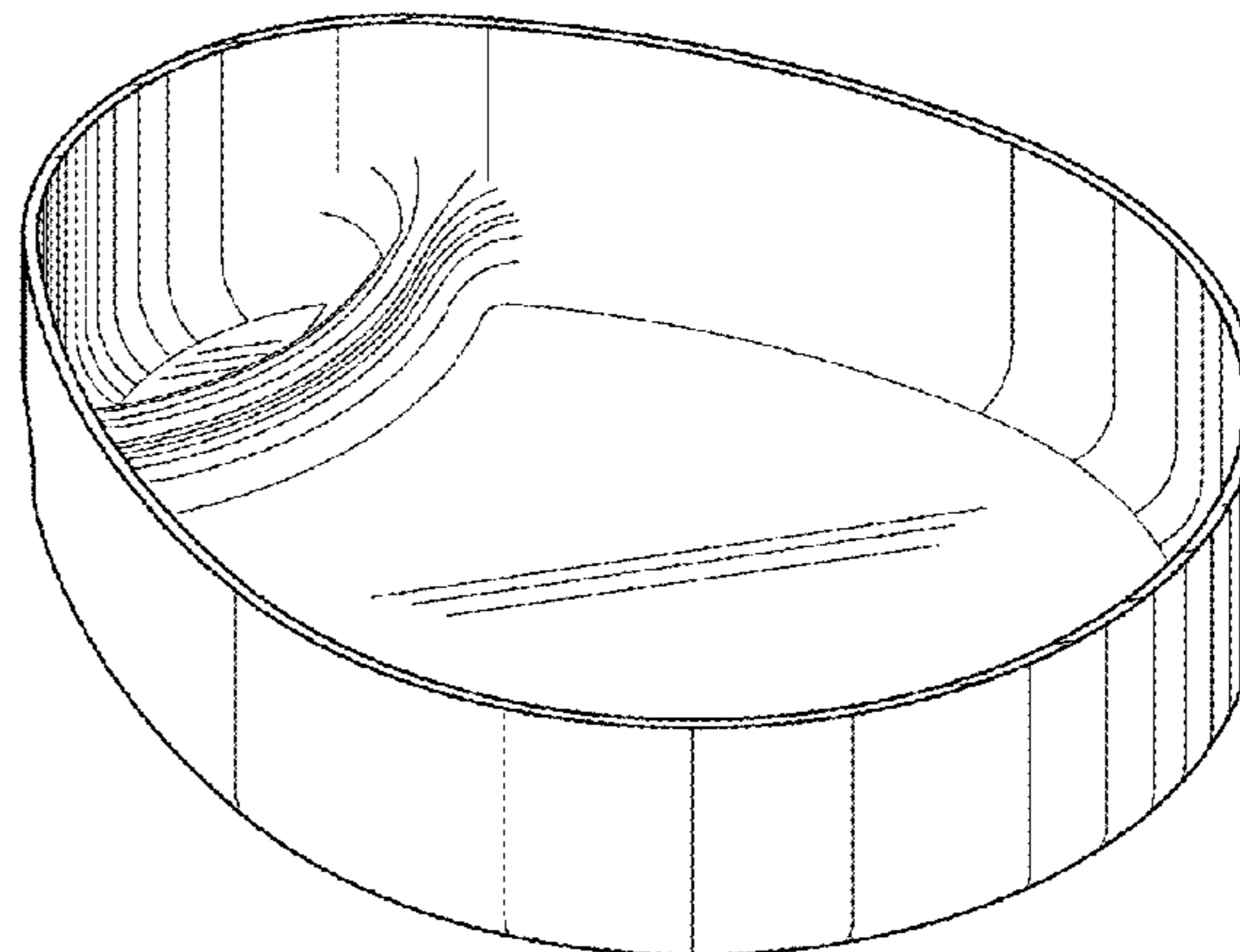
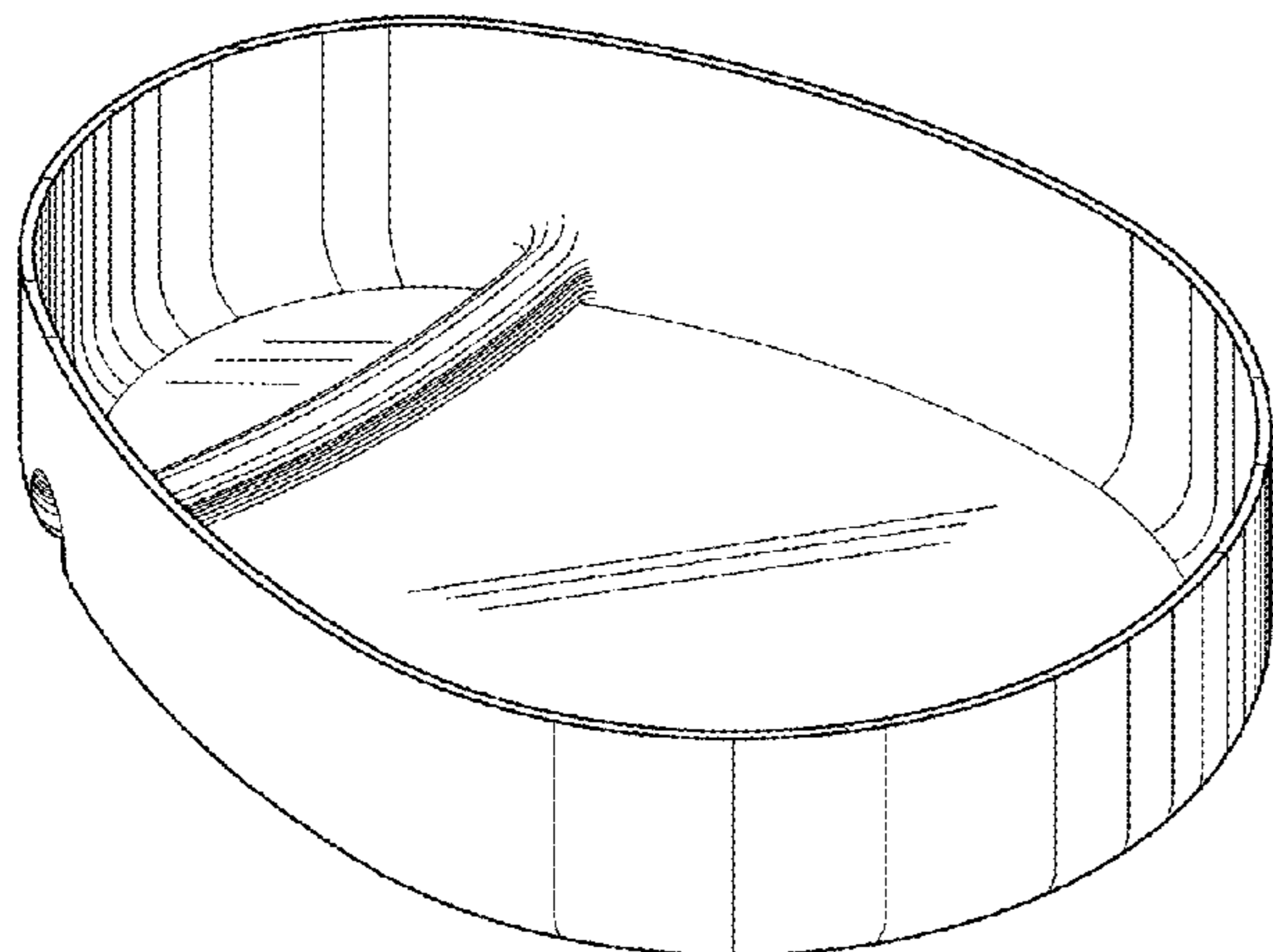
FIG. 15 is a right side elevation view thereof;

FIG. 16 is a front elevation view thereof;

FIG. 17 is a bottom plan view thereof; and,

FIG. 18 is a back elevation view thereof.

1 Claim, 18 Drawing Sheets



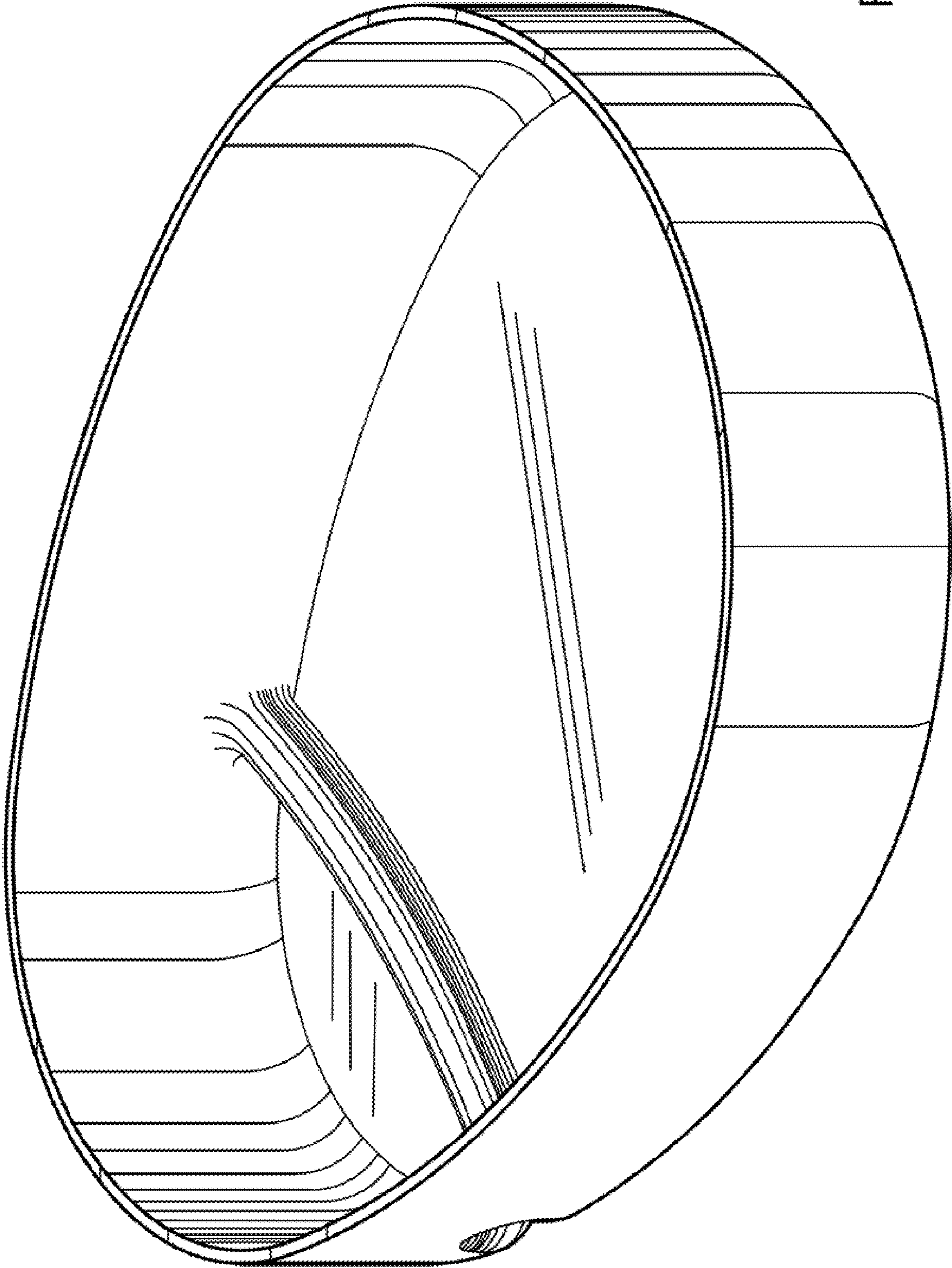


FIG.1

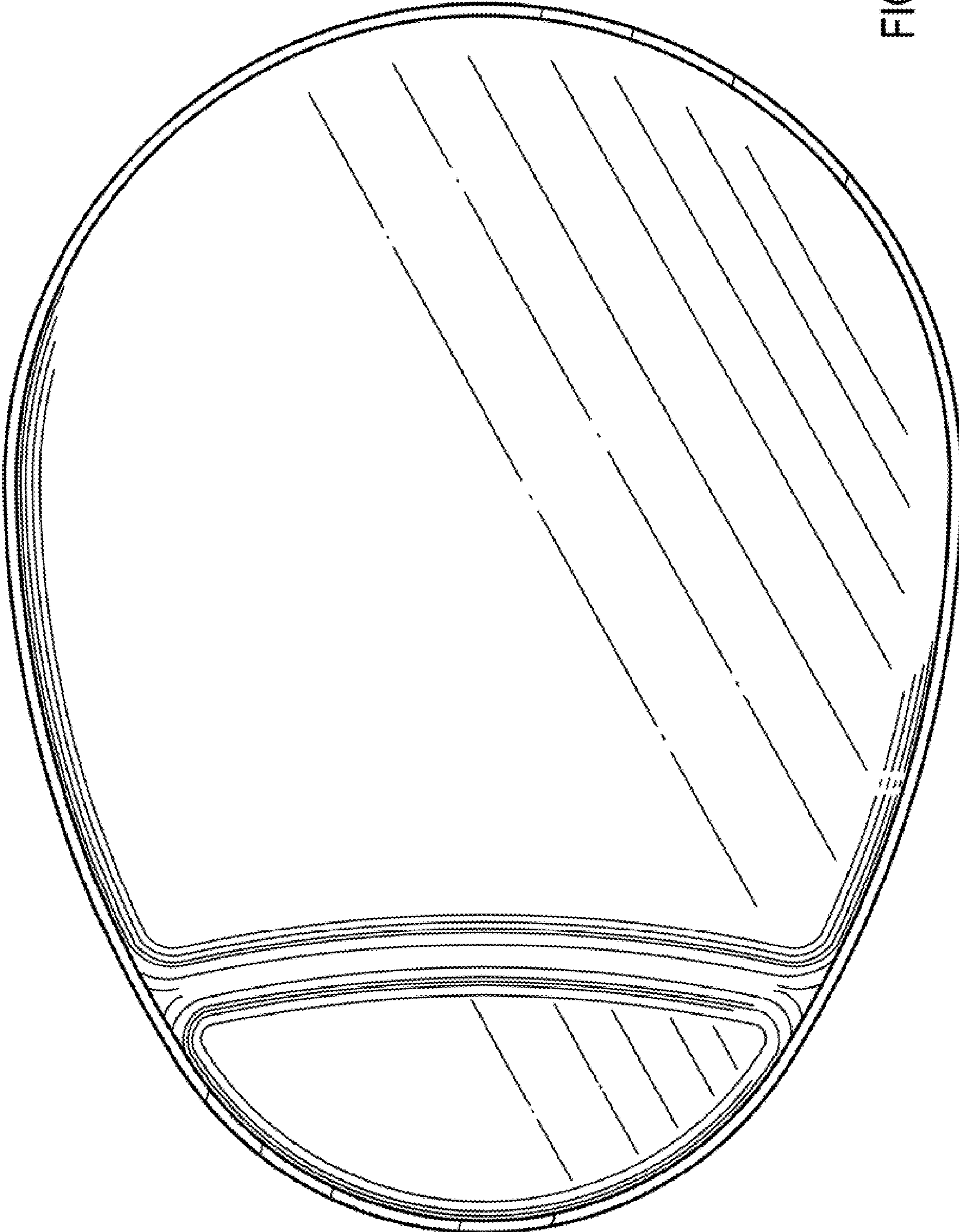


FIG. 2

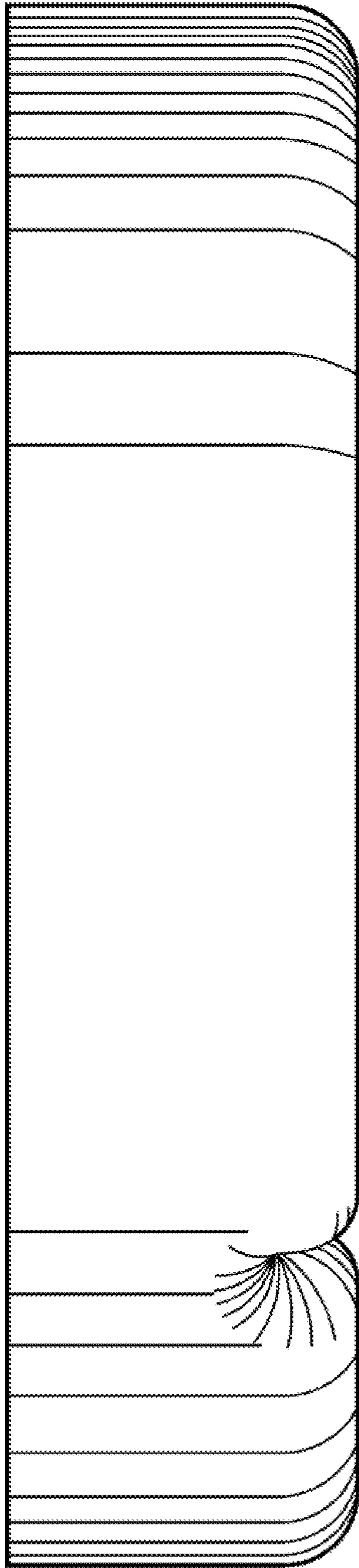


FIG. 3

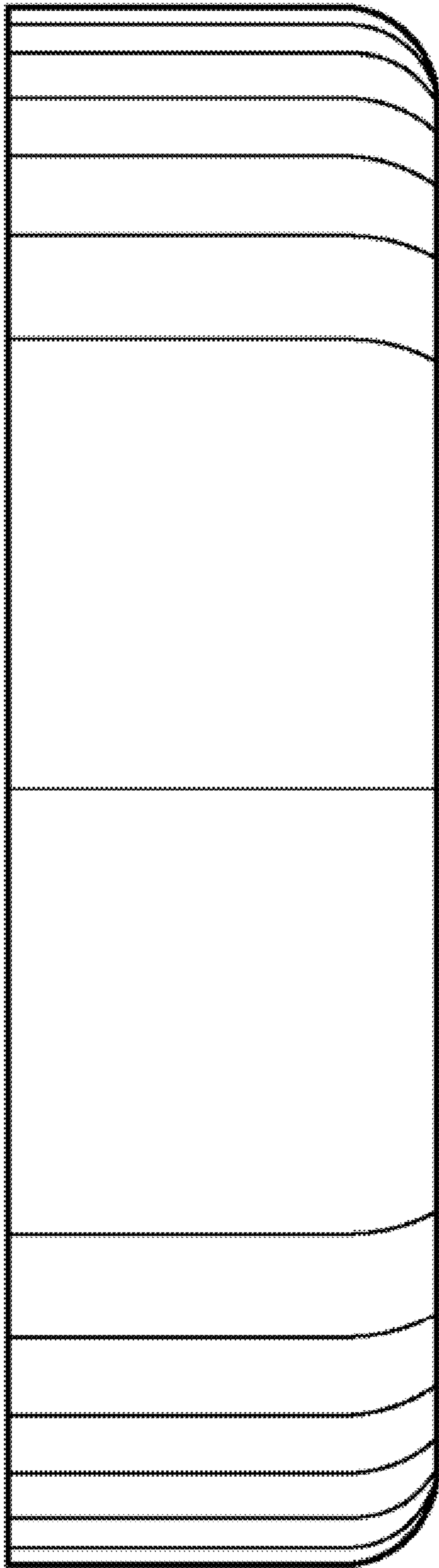


FIG. 4

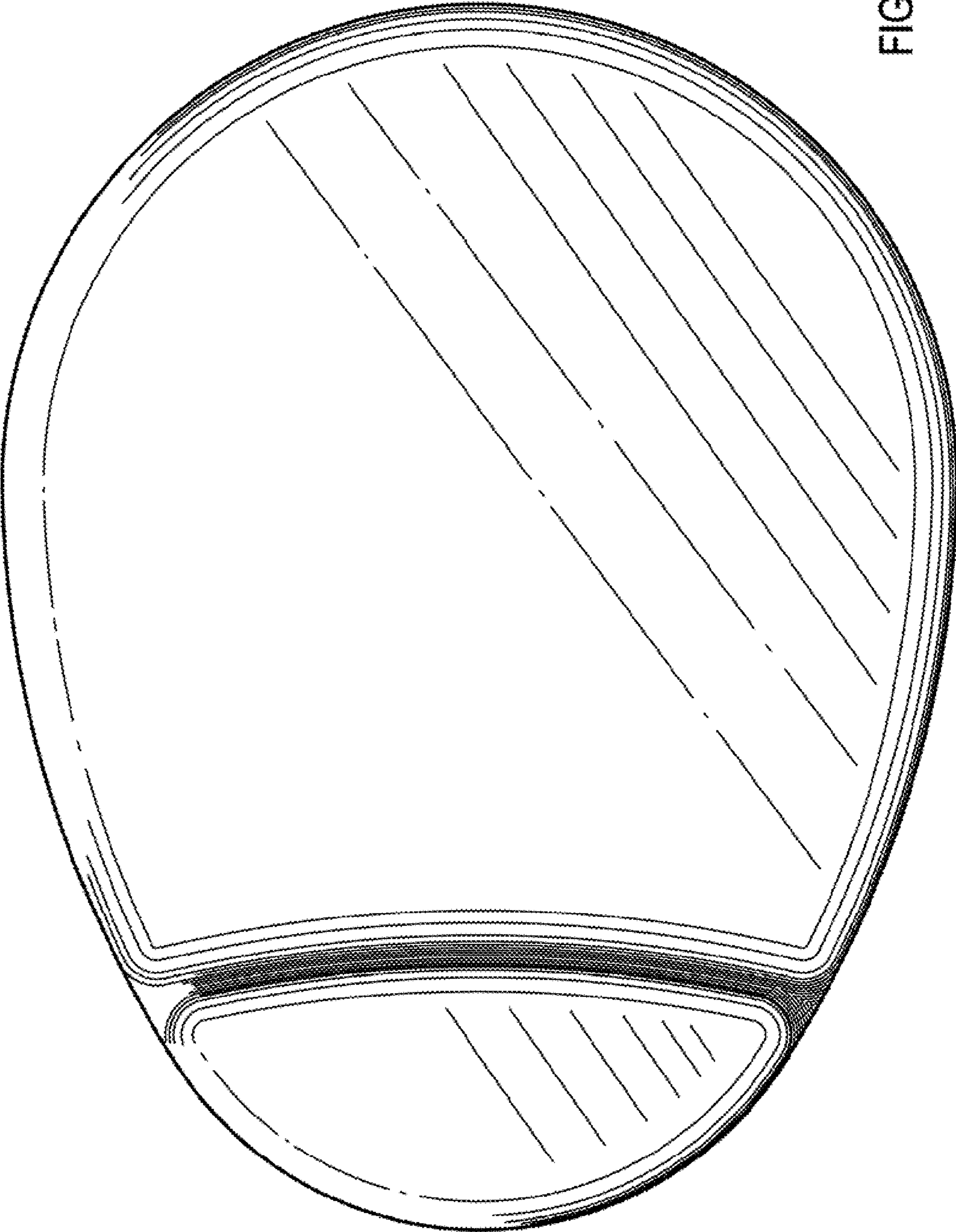


FIG.5

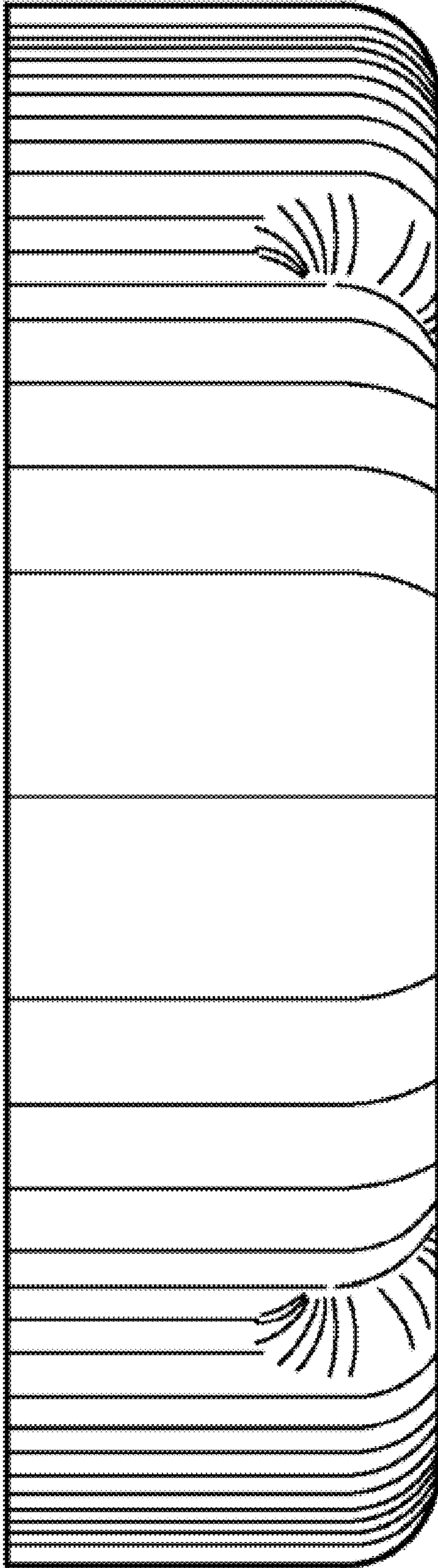


FIG. 6

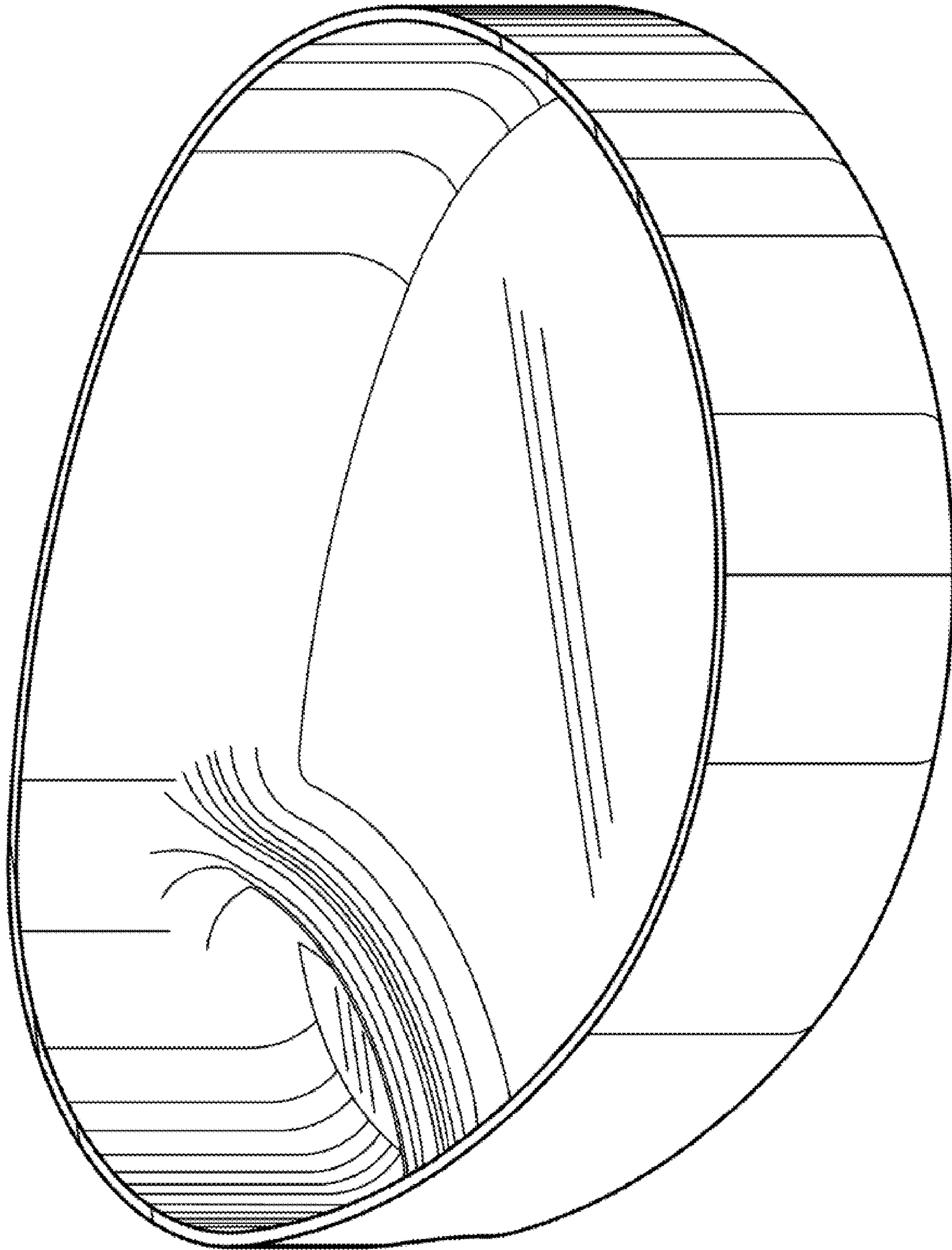


FIG. 7

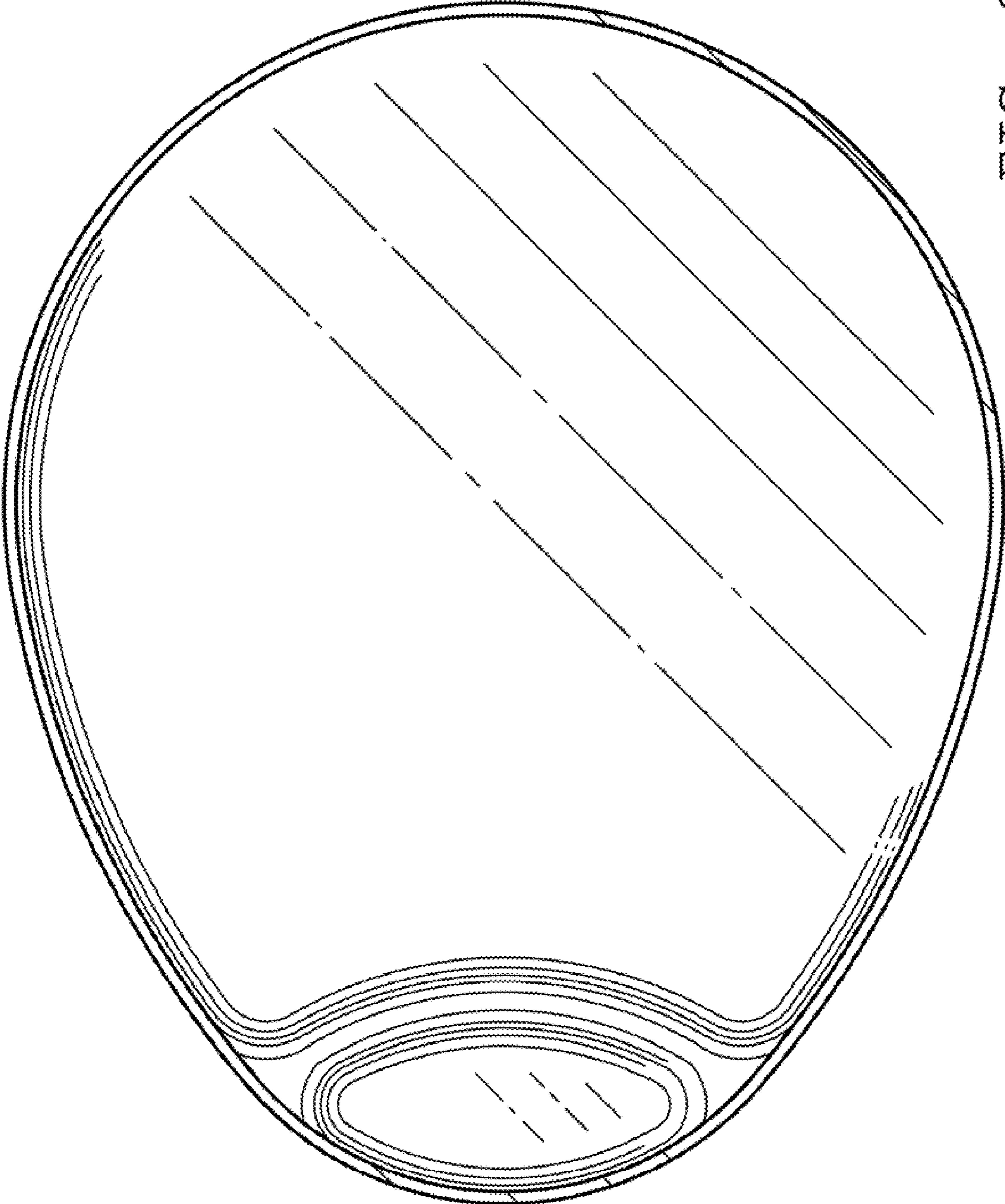


FIG. 8

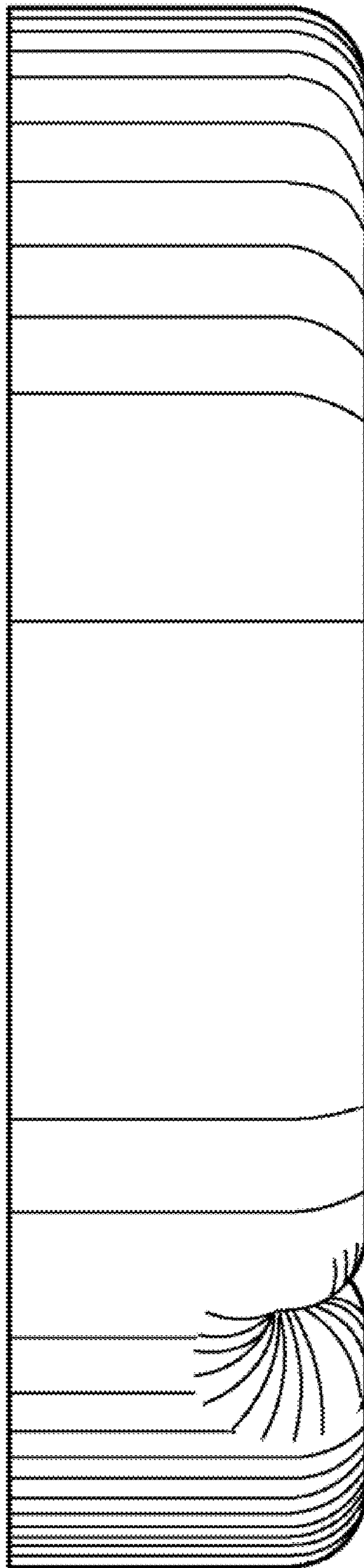


FIG. 9

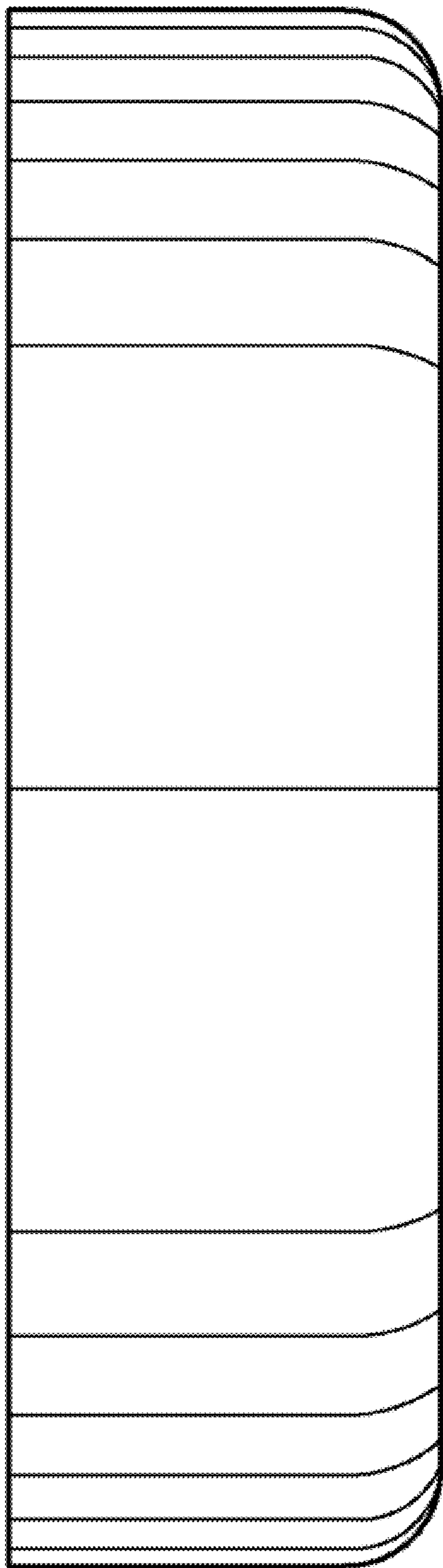


FIG. 10

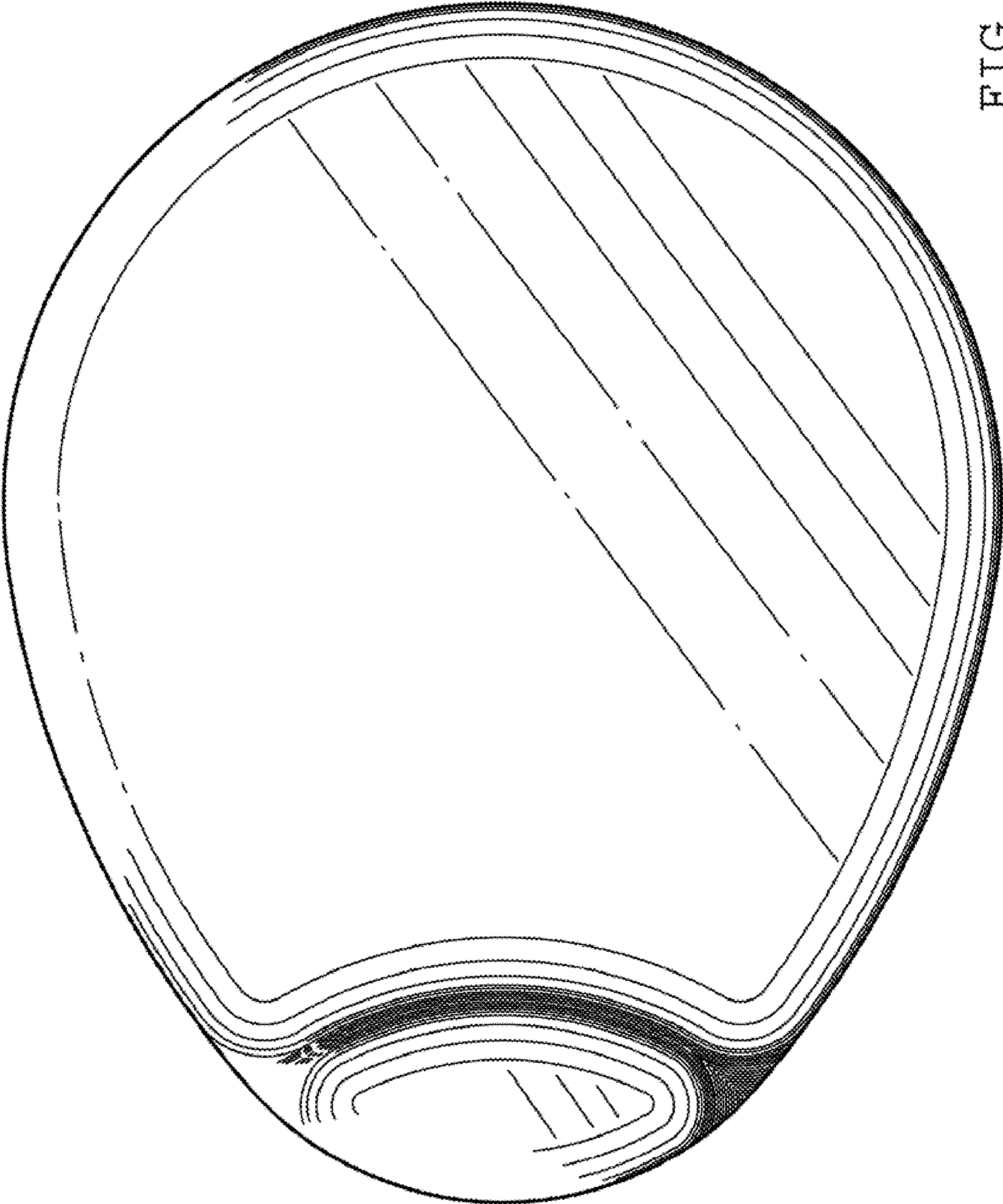


FIG. 11

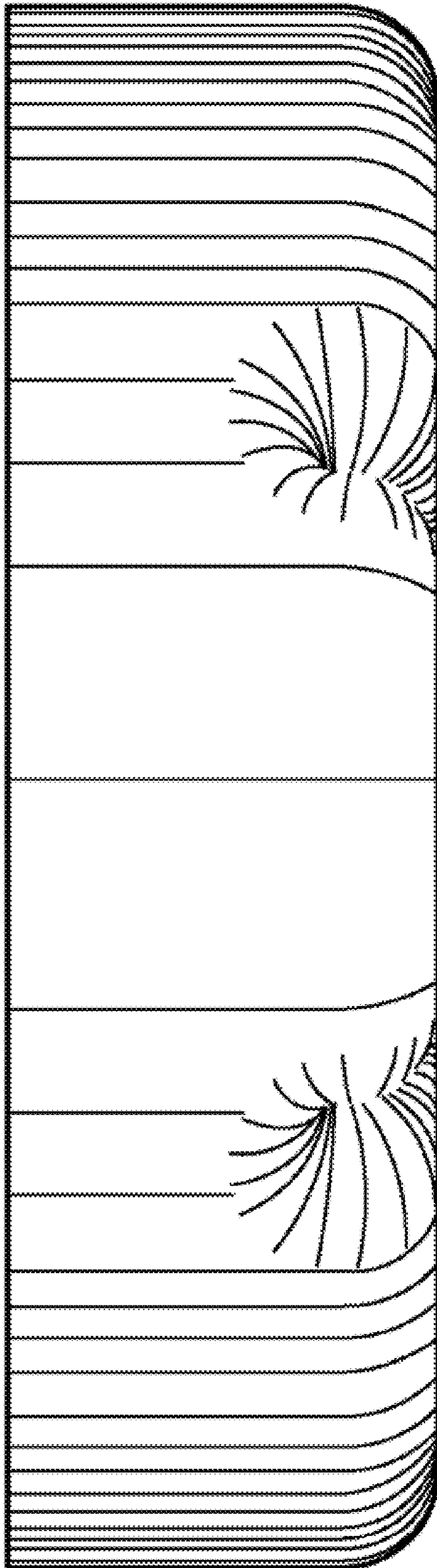


FIG. 12

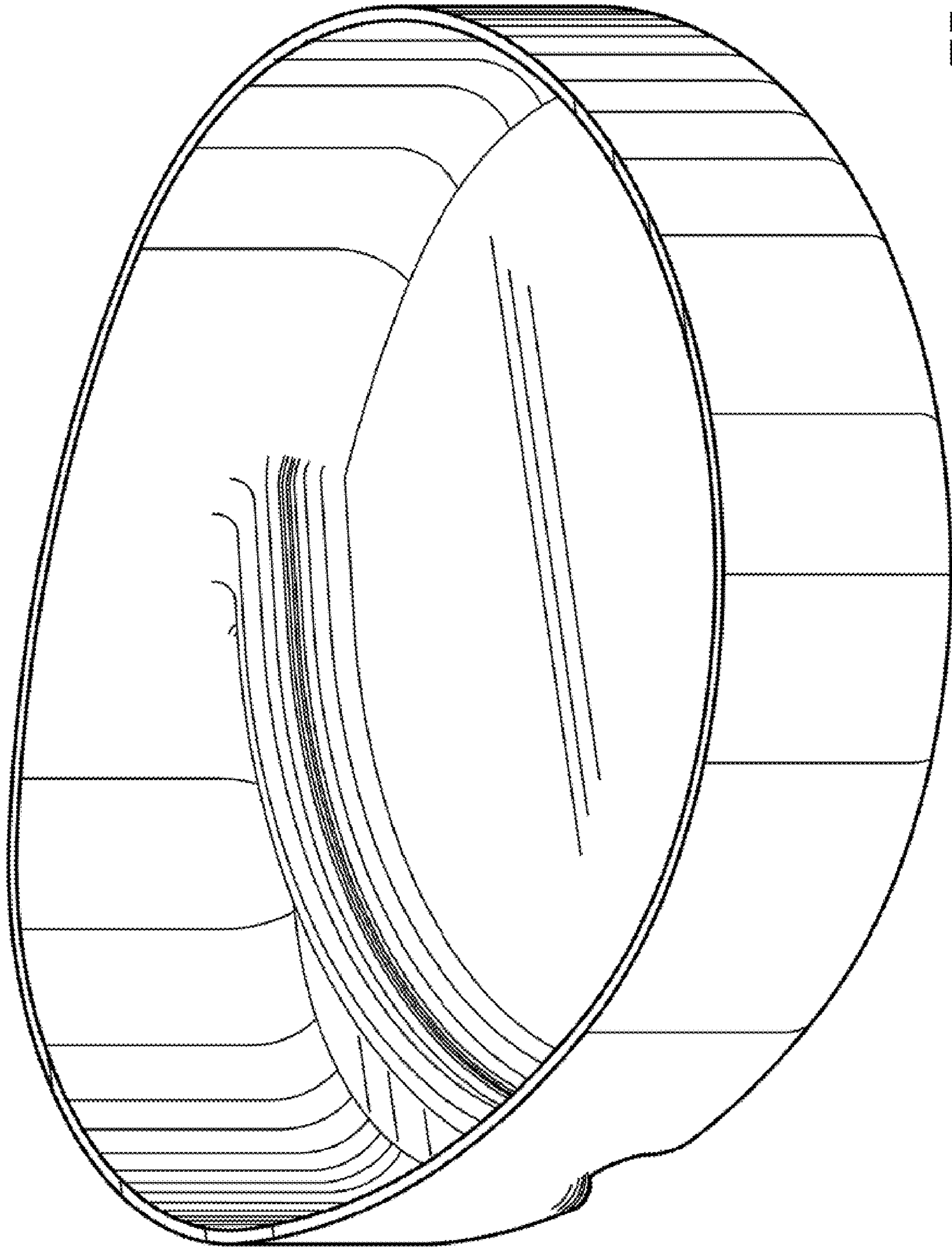


FIG. 13

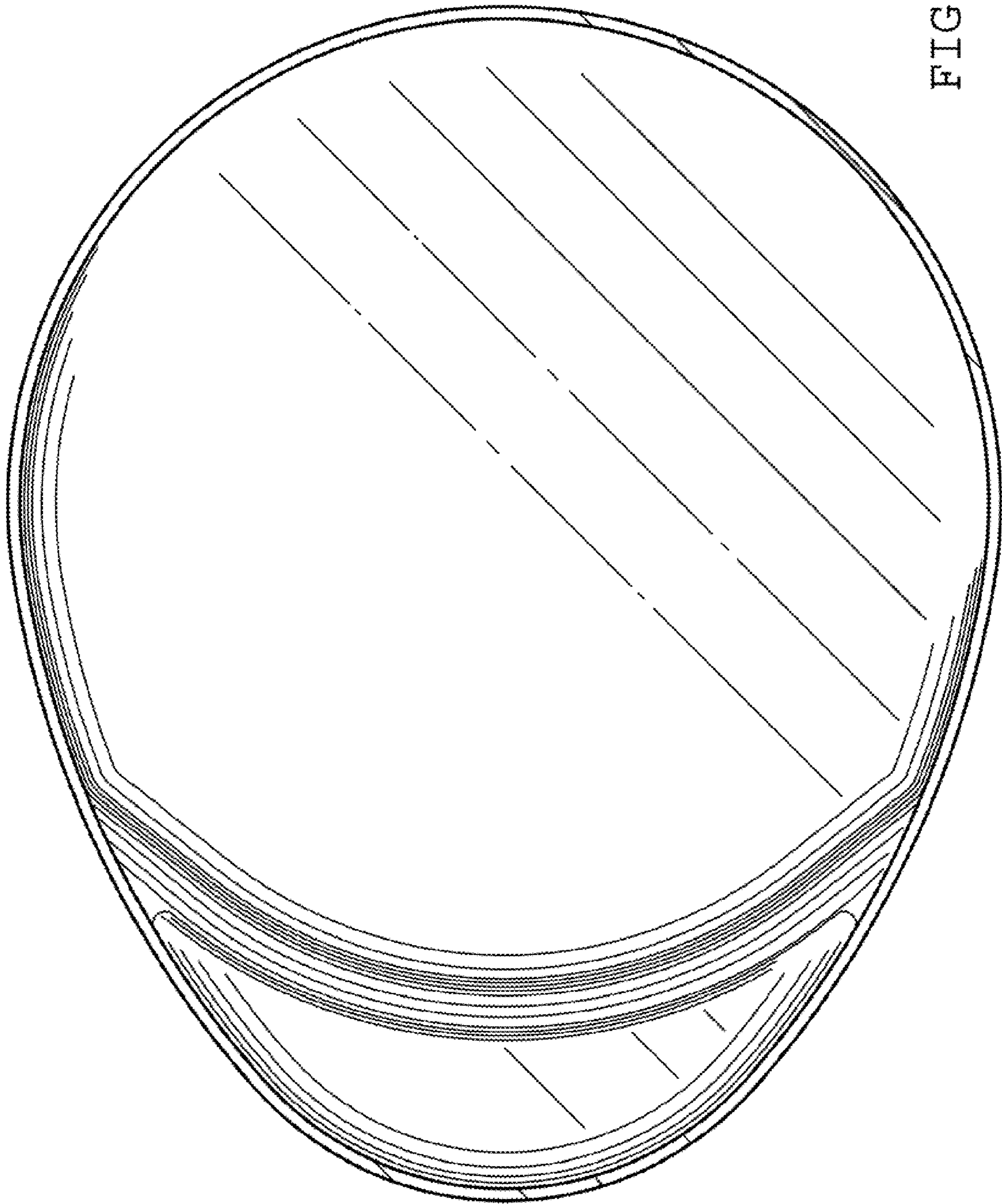


FIG. 14

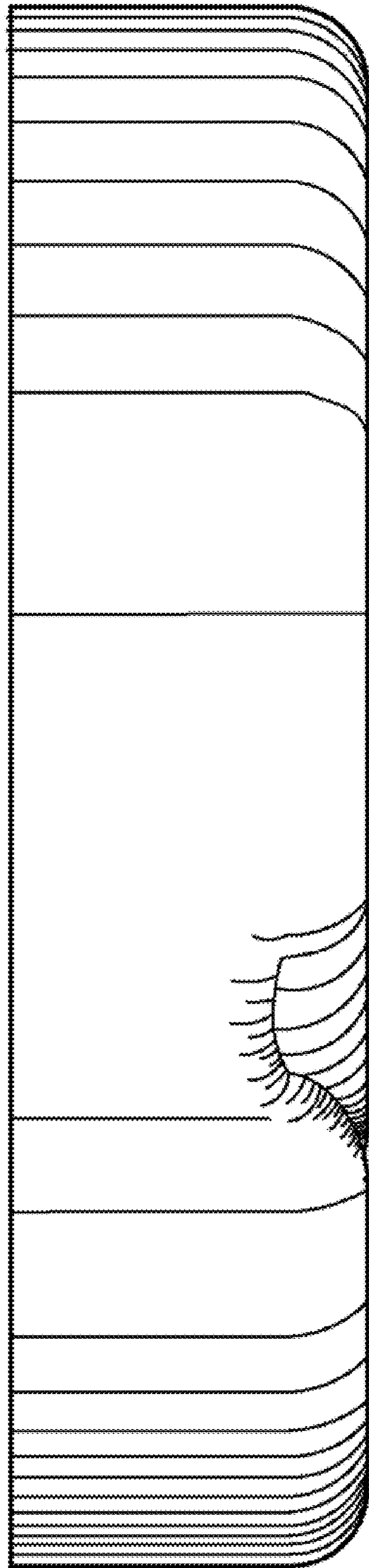


FIG. 15

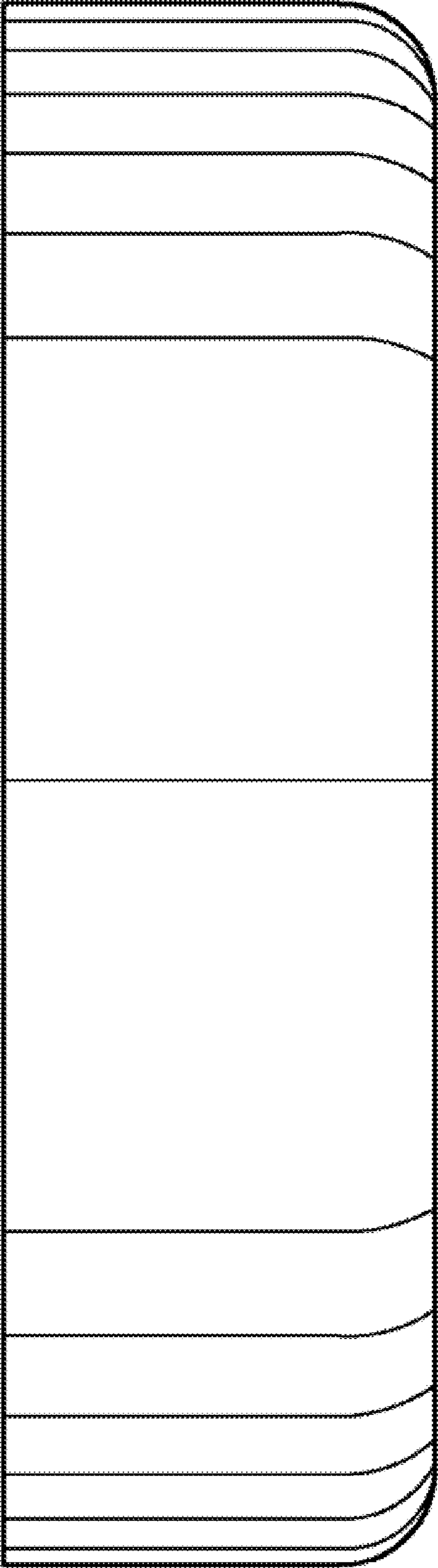


FIG. 16

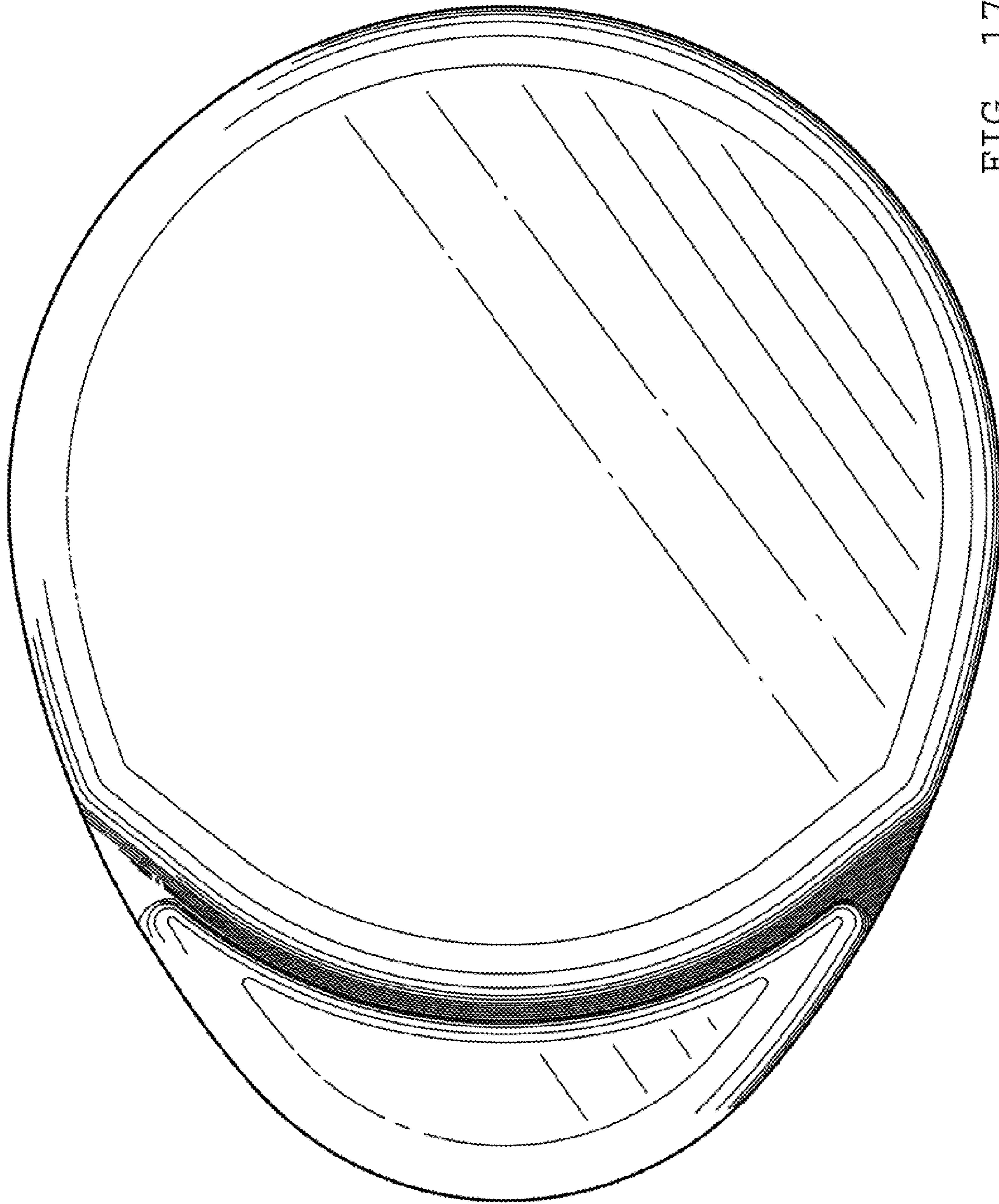


FIG. 17

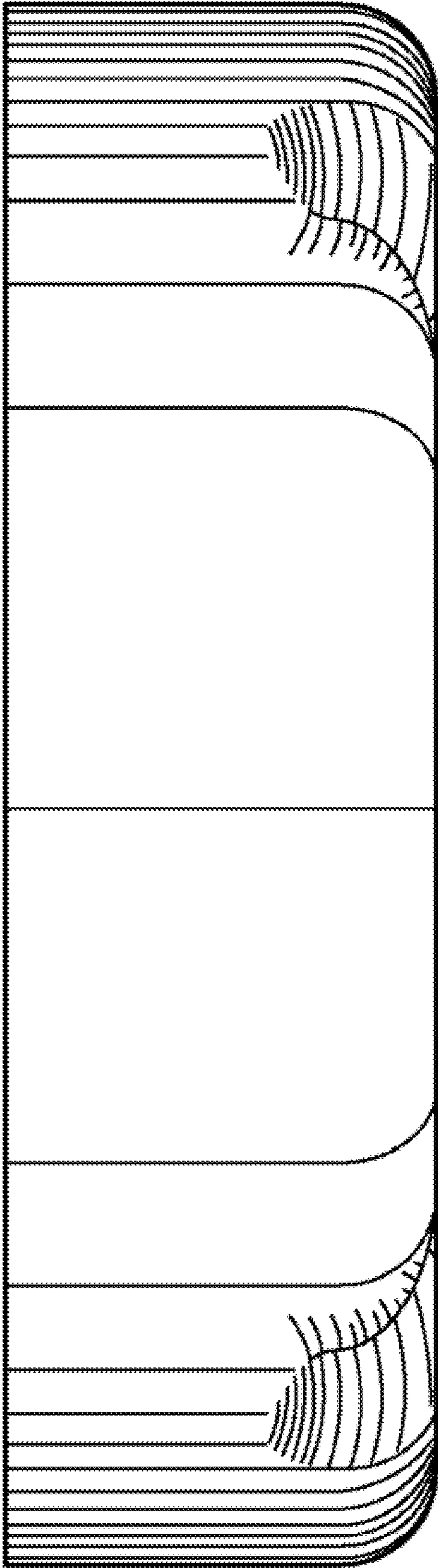


FIG. 18