



US00D587512S

(12) **United States Design Patent**  
**Dorney et al.**

(10) **Patent No.:** **US D587,512 S**  
(45) **Date of Patent:** **\*\* Mar. 3, 2009**

(54) **PITCHER AND BASE**

(57) **CLAIM**

(75) Inventors: **Peter Dorney**, Winter Springs, FL (US);  
**Ruth McClellan**, Pittsfield, PA (US)

The ornamental design for a pitcher and base, as described and shown.

(73) Assignee: **Whirley Industries, Inc.**, Warren, PA (US)

**DESCRIPTION**

(\*\*) Term: **14 Years**

FIG. 1 is a side elevational view of a combined base and pitcher.

(21) Appl. No.: **29/273,183**

FIG. 2 is a side view of a configuration of a combined base and pitcher.

(22) Filed: **Feb. 28, 2007**

FIG. 3 is a back view of a configuration of a combined base and pitcher.

(51) **LOC (9) Cl.** ..... **07-01**

FIG. 4 is a front view of a configuration of a combined base and pitcher.

(52) **U.S. Cl.** ..... **D7/318; D7/316**

FIG. 5 is a side elevational view of a configuration of a combined base and pitcher.

(58) **Field of Classification Search** ..... D7/300-322,  
D7/516, 533, 536, 600, 691, 698; D23/207,  
D23/209; 99/297, 319; 210/282, 635; 222/164,  
222/165, 465.1, 466; 215/12.1; 206/515;  
220/4.01

FIG. 6 is a top view of a combined base and pitcher.

See application file for complete search history.

FIG. 7 is a bottom of a combined base and pitcher.

(56) **References Cited**

FIG. 8 is a side elevational view of a combined base and pitcher.

**U.S. PATENT DOCUMENTS**

FIG. 9 is a side view of a configuration of a combined base and pitcher.

- 3,357 A \* 11/1843 Atterbury et al. .... 223/12
- D74,713 S \* 3/1928 Beam ..... D7/319
- D184,814 S \* 4/1959 James ..... D7/319
- D250,869 S \* 1/1979 Boelter ..... D7/319
- D377,436 S \* 1/1997 Poly ..... D7/319
- D439,789 S 4/2001 Kaposi et al. .... D7/316
- 6,295,831 B1 \* 10/2001 Watson ..... 62/457.3

FIG. 10 is a back view of a configuration of a combined base and pitcher.

\* cited by examiner

FIG. 11 is a front view of a configuration of a combined base and pitcher.

*Primary Examiner*—Antoine D Davis  
(74) *Attorney, Agent, or Firm*—The Bilicki Law Firm, PC;  
Byron A. Bilicki, Esq.; Carl A. Hjort, III, Esq.

FIG. 12 is a side elevational view of a configuration of a combined base and pitcher.

FIG. 13 is a top view of a combined base and pitcher; and,

FIG. 14 is a bottom of a combined base and pitcher.

**1 Claim, 10 Drawing Sheets**





Fig. 1

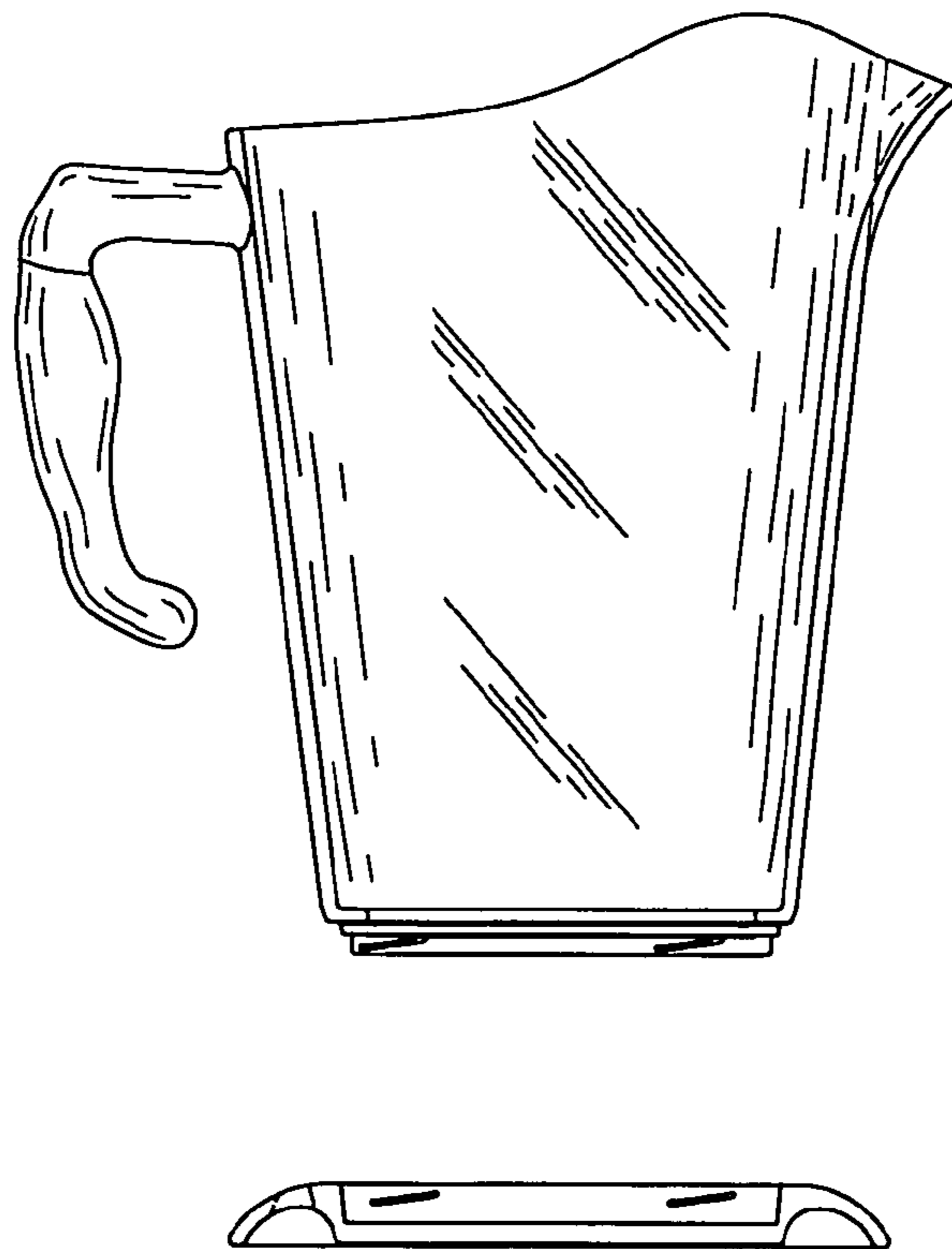


Fig. 2

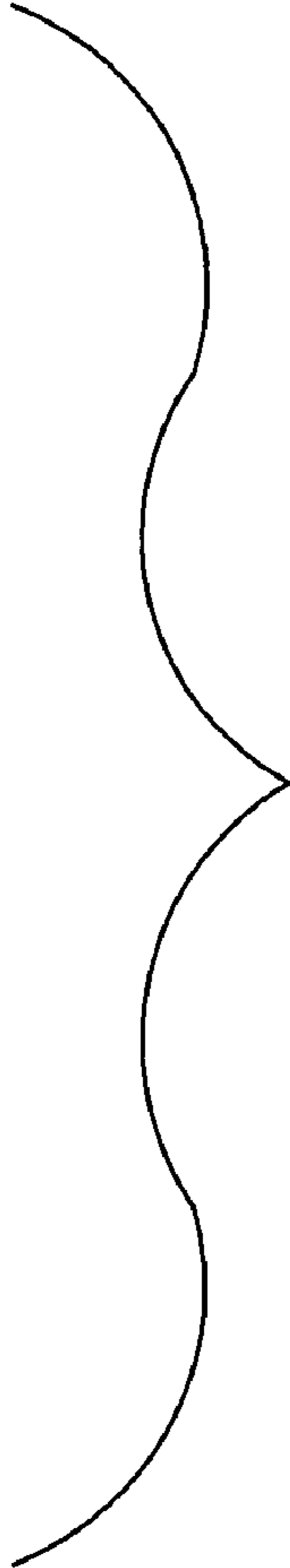
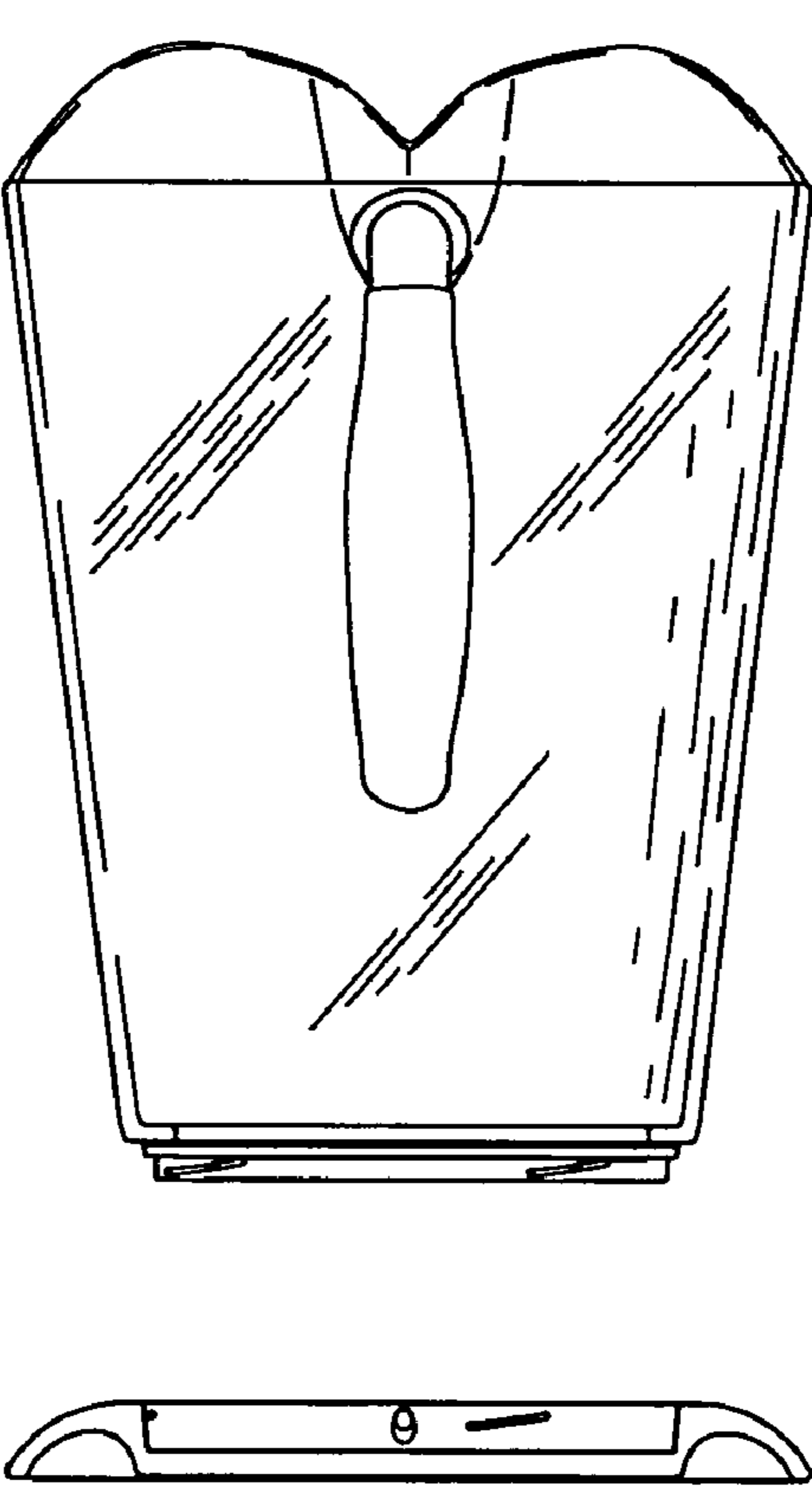


Fig. 3

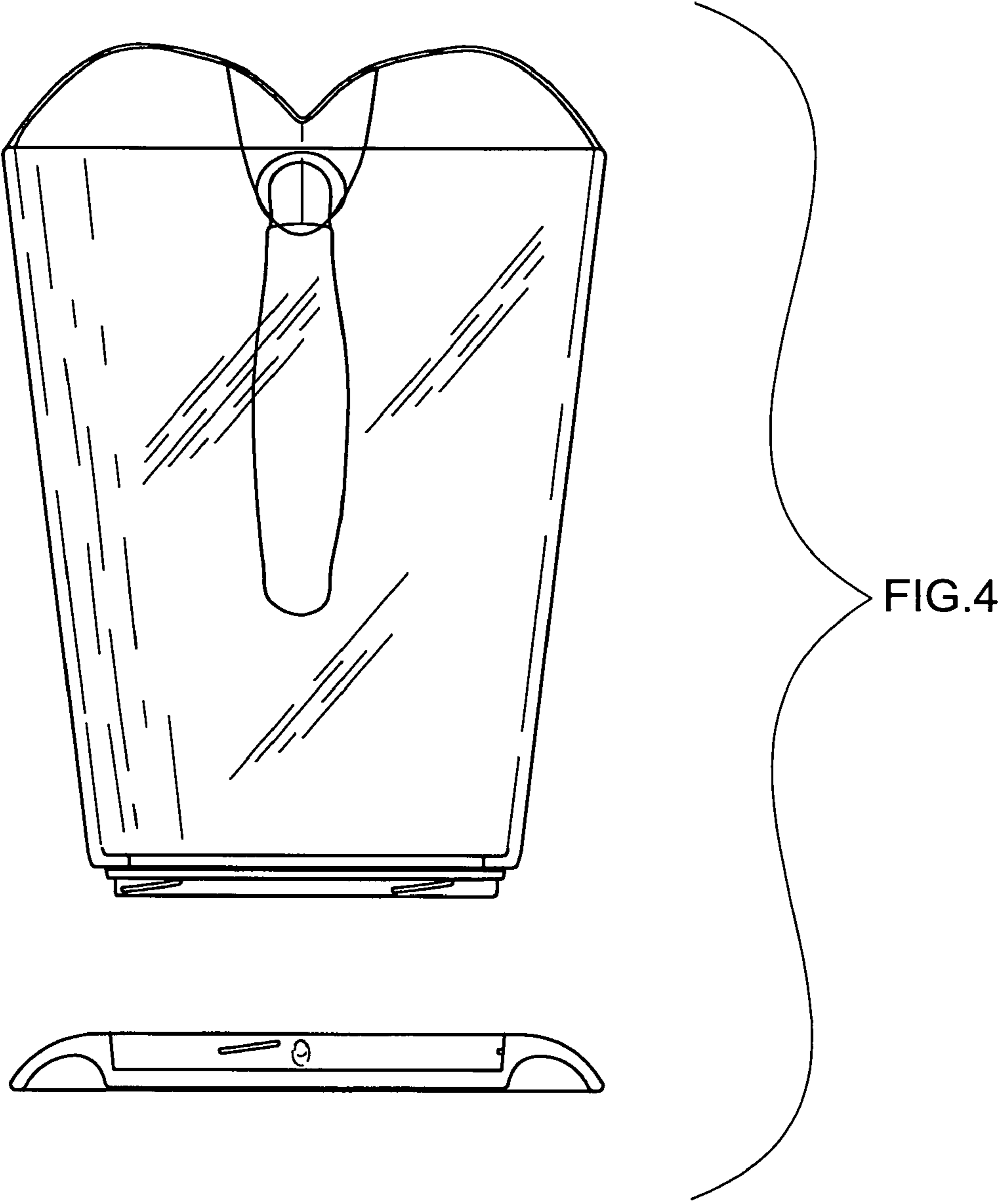




Fig. 5



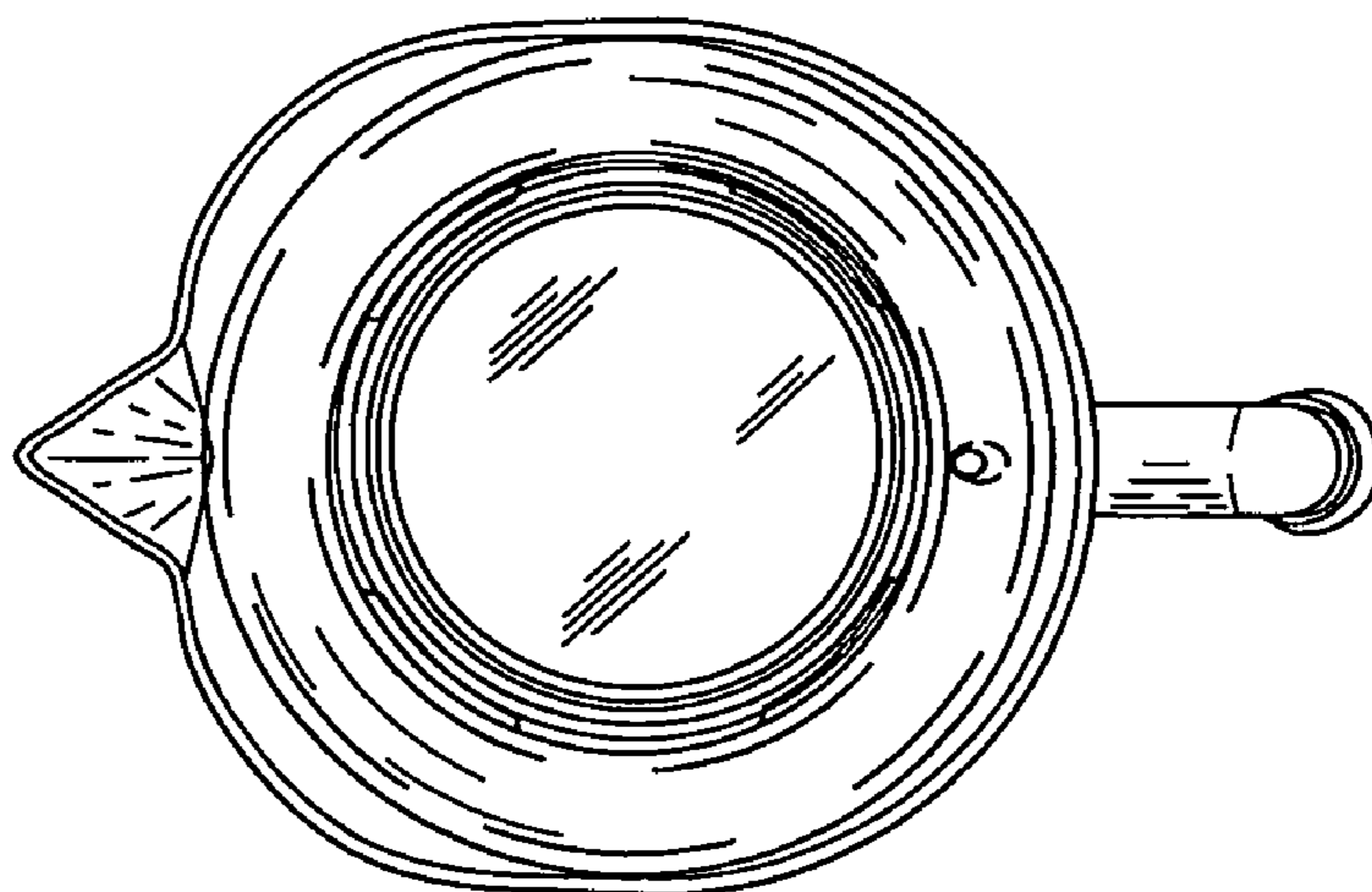


Fig. 6

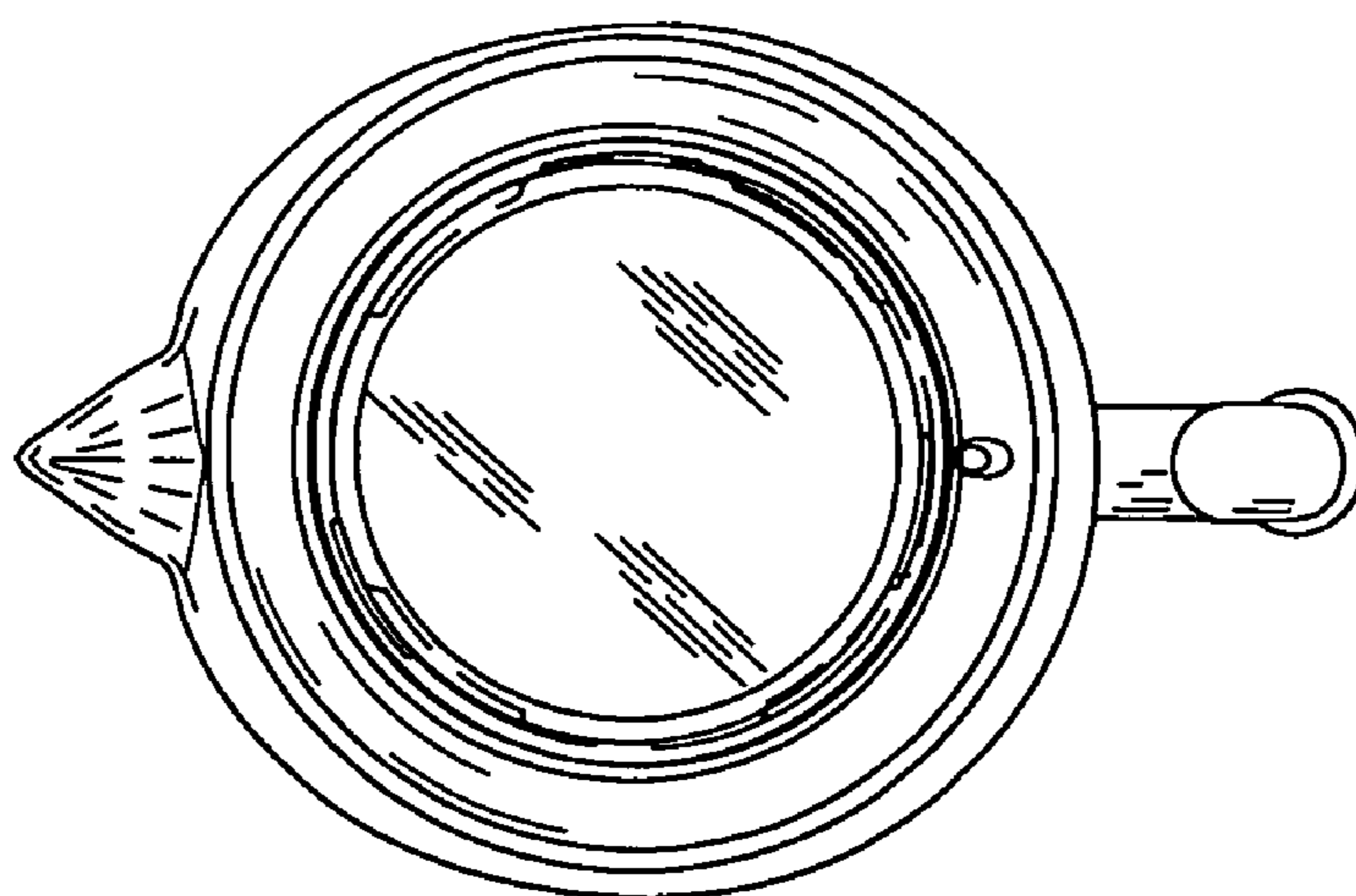


Fig. 7



Fig. 8

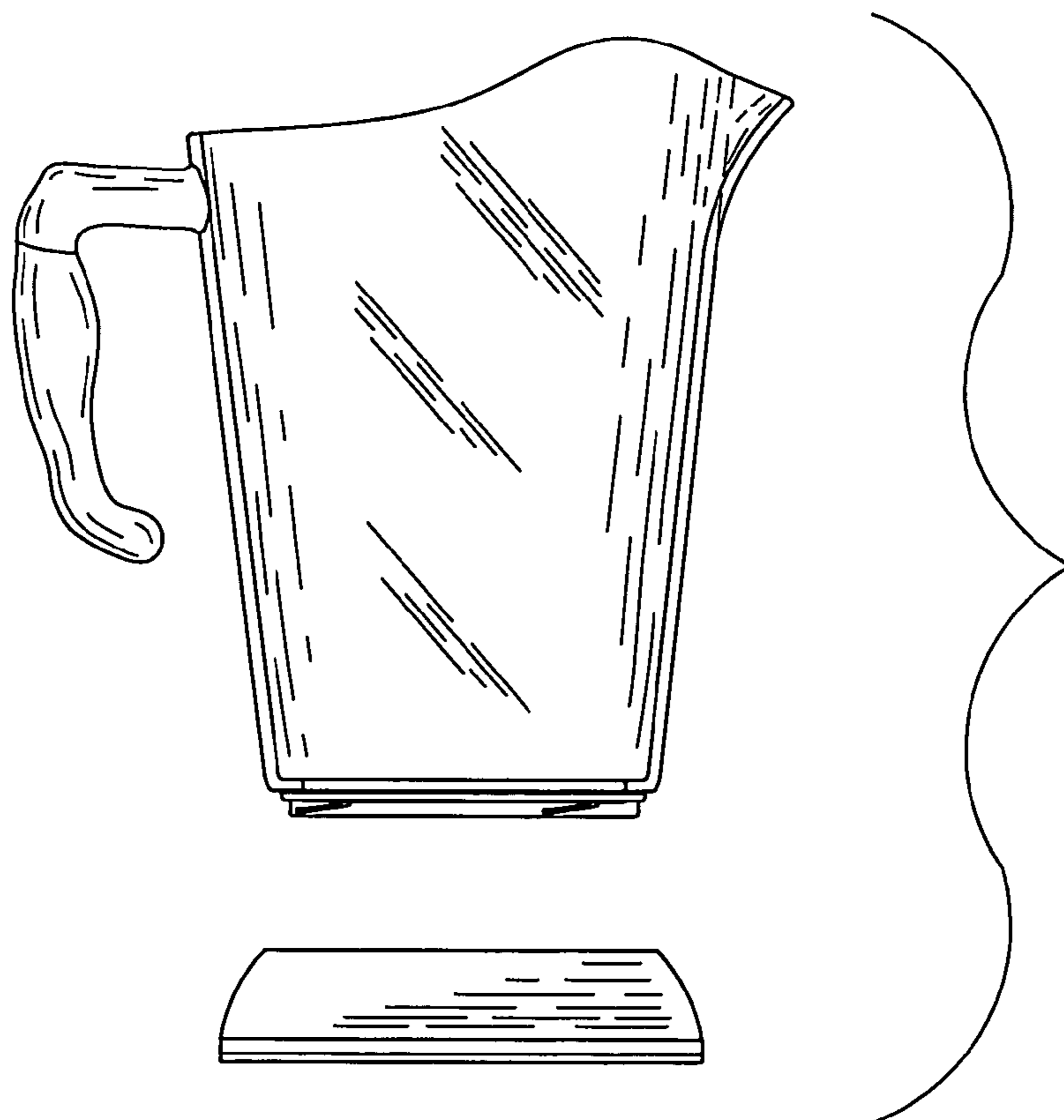


Fig. 9

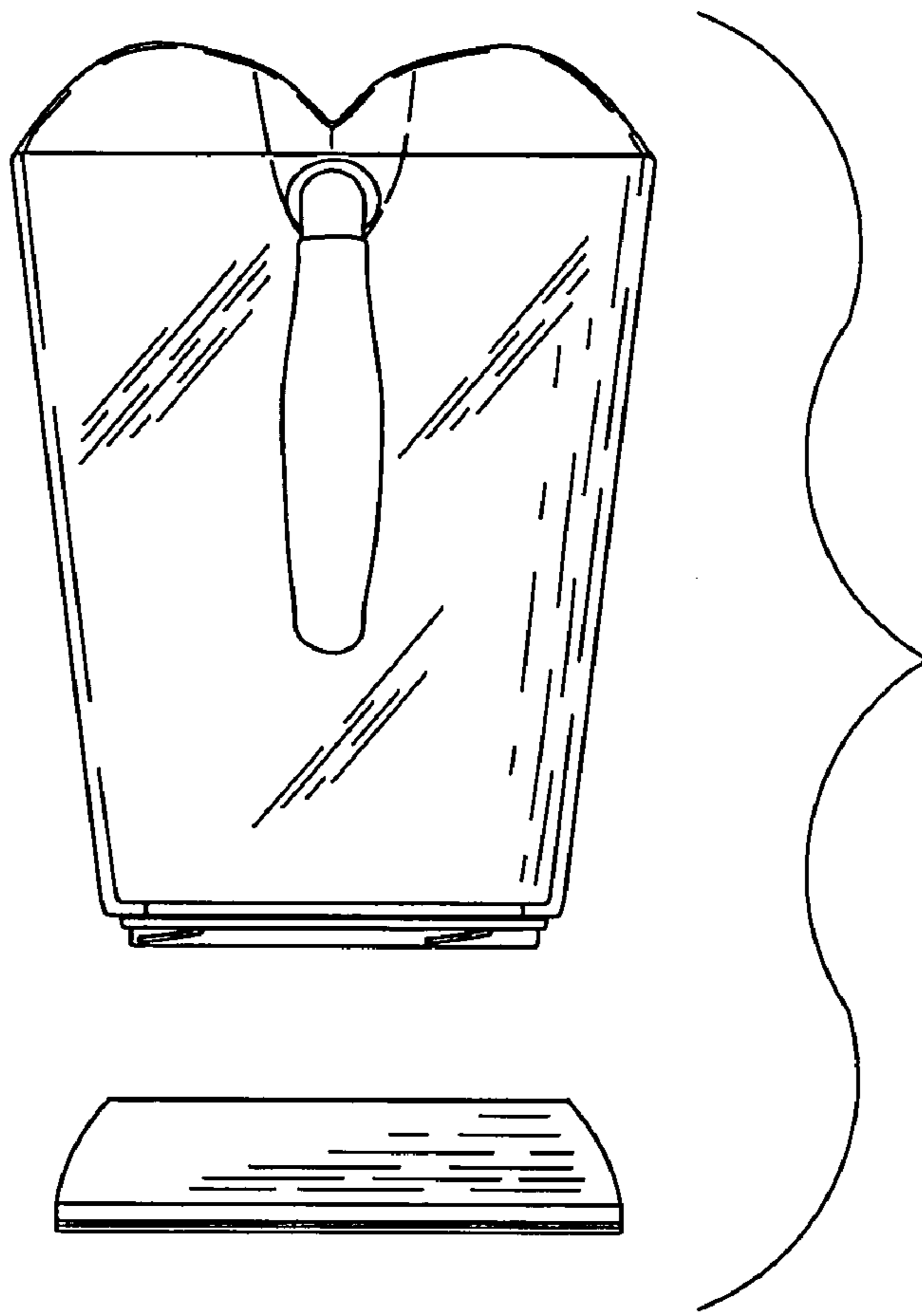


Fig. 10



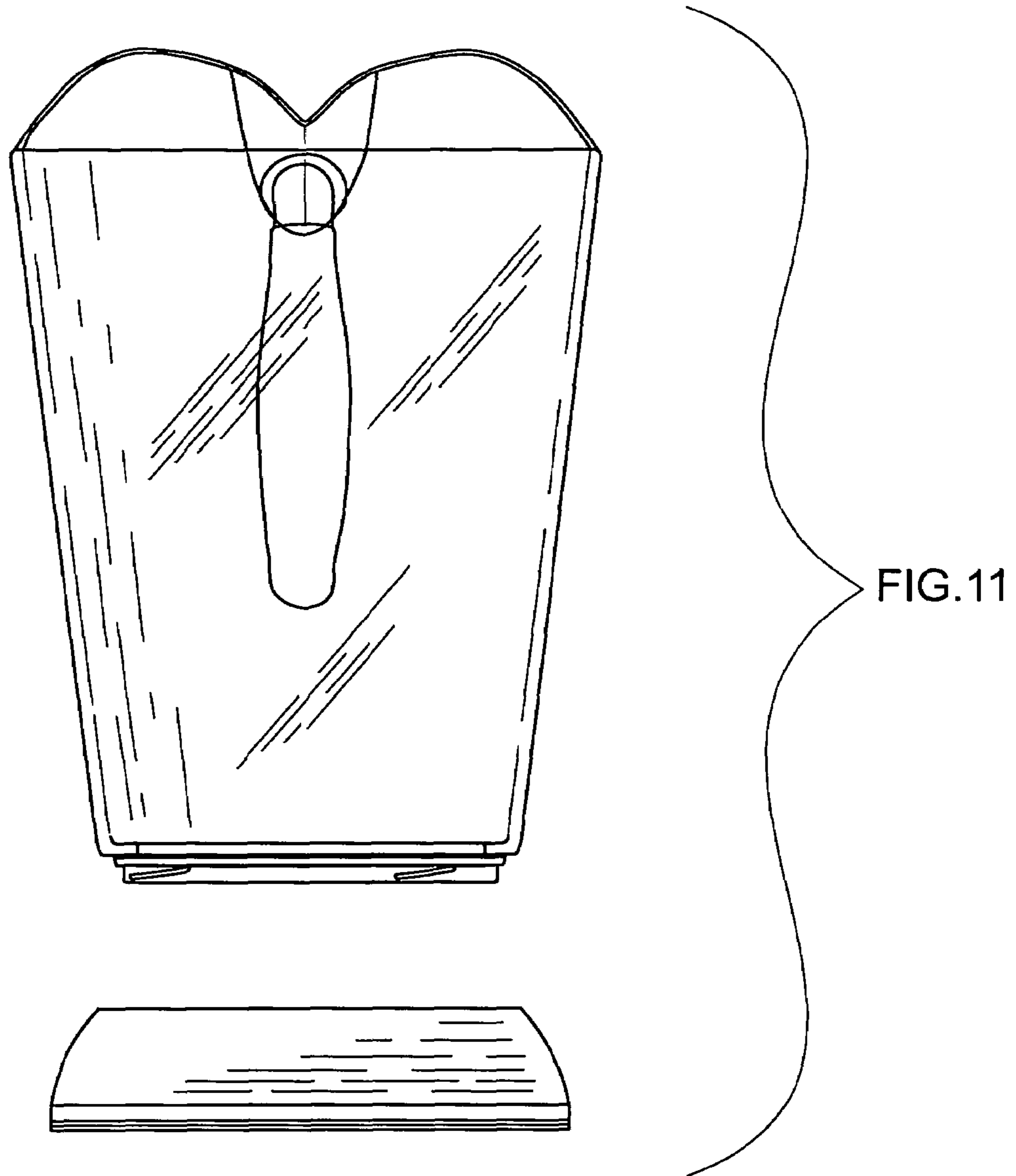




Fig. 12

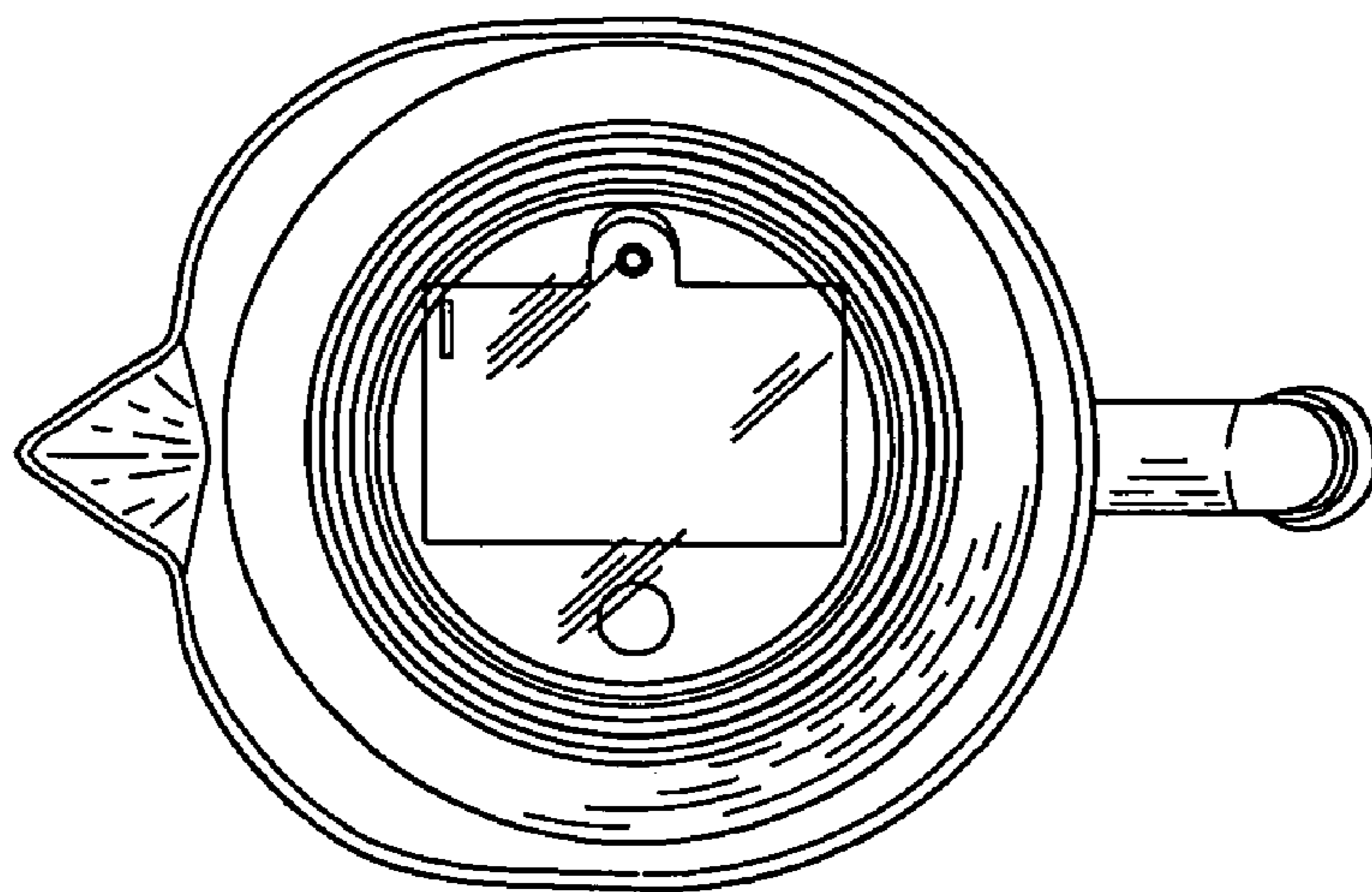


Fig. 13

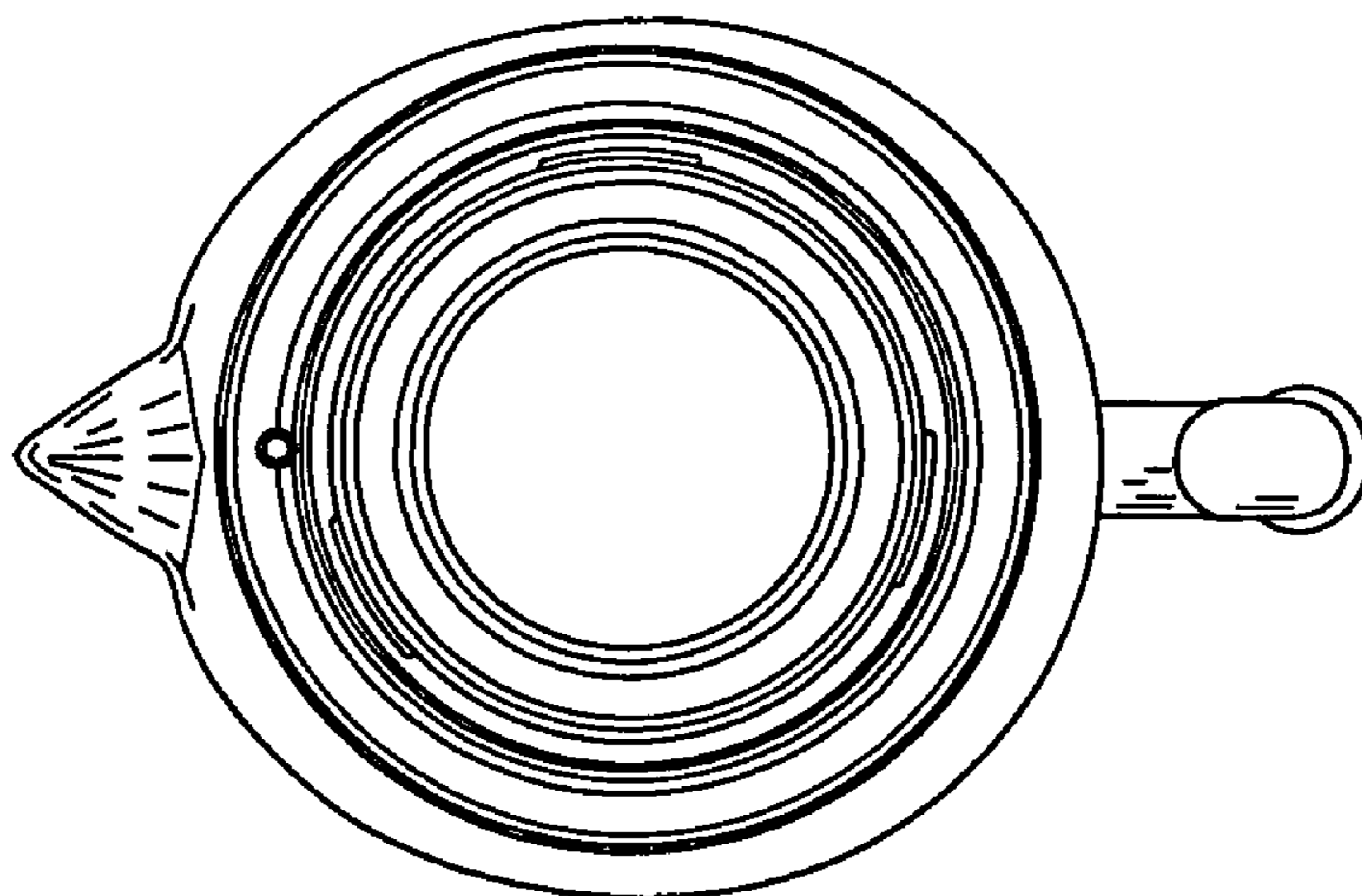


Fig. 14