



US00D587511S

(12) **United States Design Patent**
Buttler

(10) **Patent No.:** **US D587,511 S**
(45) **Date of Patent:** **** Mar. 3, 2009**

(54) **COFFEE MAKER**

(75) Inventor: **Roni Buttler**, Zurich (CH)

(73) Assignee: **Jura Elektroapparate AG**,
Niederbuchsiten (CH)

(**) Term: **14 Years**

(21) Appl. No.: **29/306,350**

(22) Filed: **Apr. 8, 2008**

(30) **Foreign Application Priority Data**

Oct. 11, 2007 (WO) DM/069 401

(51) **LOC (9) Cl.** **07-01**

(52) **U.S. Cl.** **D7/309; D7/311**

(58) **Field of Classification Search** D7/309-311,
D7/306-308, 300, 397-399; 99/280, 286,
99/305, 306, 295, 279, 299, 285, 309, 300,
99/275; D20/1, 4, 5; 222/108, 1, 152, 190,
222/399; D15/79

See application file for complete search history.

(56) **References Cited**

U.S. PATENT DOCUMENTS

4,852,474 A	8/1989	Mahlich et al.
D323,949 S	2/1992	Kahlcke
D360,802 S	8/1995	Seiffert
D364,306 S	11/1995	Storsberg
D377,576 S	1/1997	Amiel
D385,455 S	10/1997	Cortese
D390,060 S	2/1998	Seiffert
D395,976 S	7/1998	Seiffert et al.
D396,987 S	8/1998	Seiffert
D400,046 S	10/1998	Seiffert
D414,371 S	9/1999	Seiffert
D431,748 S	10/2000	Cahen
D431,749 S	10/2000	Cahen
D431,750 S	10/2000	Cahen

D431,751 S	10/2000	Cahen	
D441,593 S	5/2001	Gudefin	
D449,198 S	10/2001	Cahen	
D449,199 S	10/2001	Cahen	
D449,488 S	10/2001	Cahen	
D481,580 S	* 11/2003	Daniels et al.	D7/309
D481,901 S	* 11/2003	Daniels et al.	D7/309
D486,345 S	* 2/2004	Schwamkrug	D7/309
D486,346 S	2/2004	Jönsson	
D523,279 S	* 6/2006	Zemp	D7/309
D540,608 S	* 4/2007	Cahen	D7/309
D556,494 S	* 12/2007	Adachi et al.	D7/308
D556,495 S	* 12/2007	Davenport	D7/309
D557,057 S	* 12/2007	Einav	D7/307
D563,143 S	* 3/2008	Tonelli	D7/306
D573,392 S	* 7/2008	Smith	D7/306
D577,244 S	* 9/2008	Cahen	D7/305
2003/0070555 A1	4/2003	Reyhanloo	

OTHER PUBLICATIONS

U.S. Appl. No. 29/277,708, filed Mar. 7, 2007, In re: Lutz; Entitled: Coffee Maker.

* cited by examiner

Primary Examiner—Marianne Pandozzi

(74) *Attorney, Agent, or Firm*—Alston & Bird LLP

(57) **CLAIM**

The ornamental design for a coffee maker, as shown and described.

DESCRIPTION

FIG. 1 is a perspective view of a coffee maker of my new design;

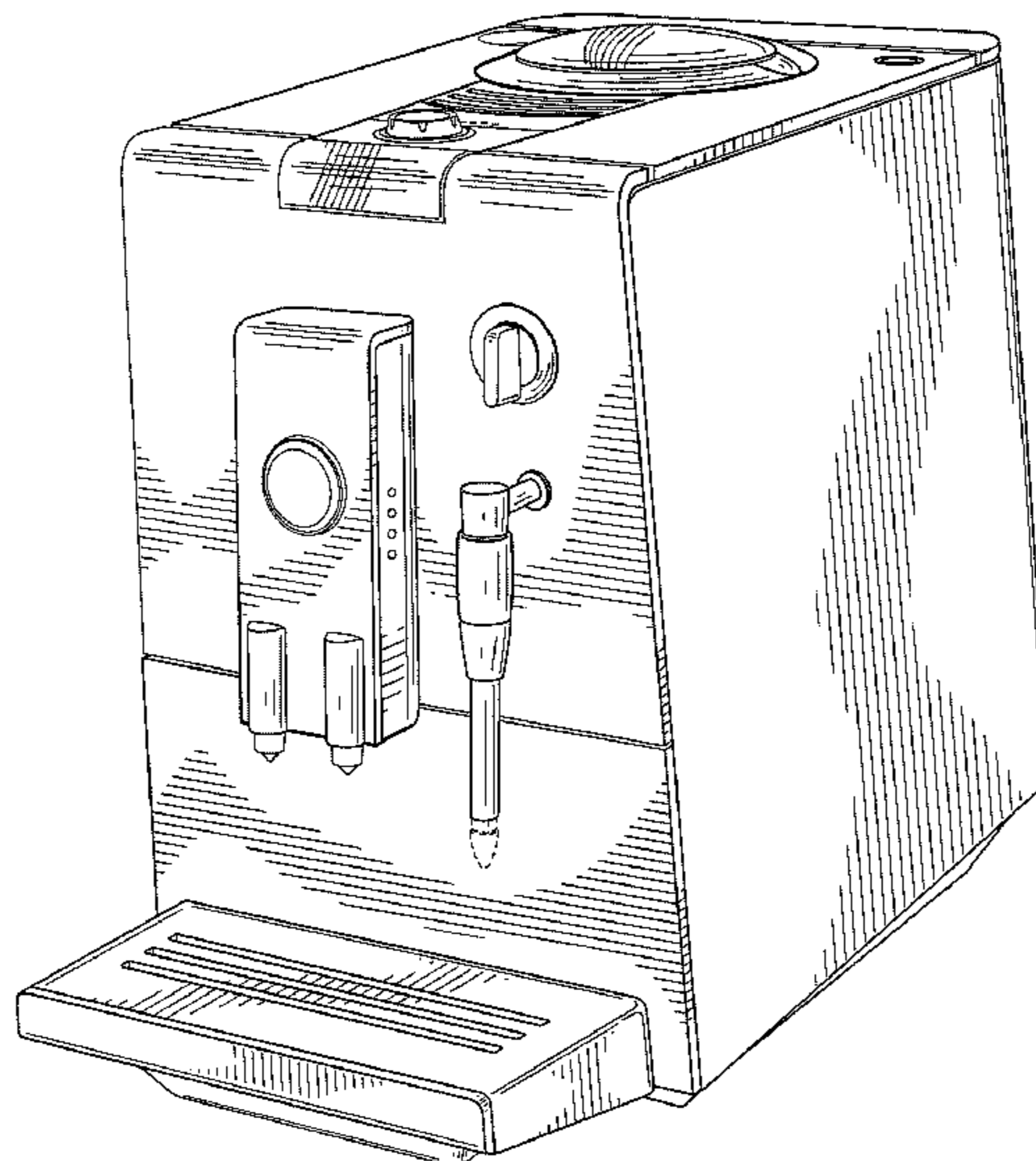
FIG. 2 is front elevation view thereof;

FIG. 3 is a left side elevation view thereof;

FIG. 4 is a right side elevation view thereof; and,

FIG. 5 is a top plan view thereof.

1 Claim, 5 Drawing Sheets



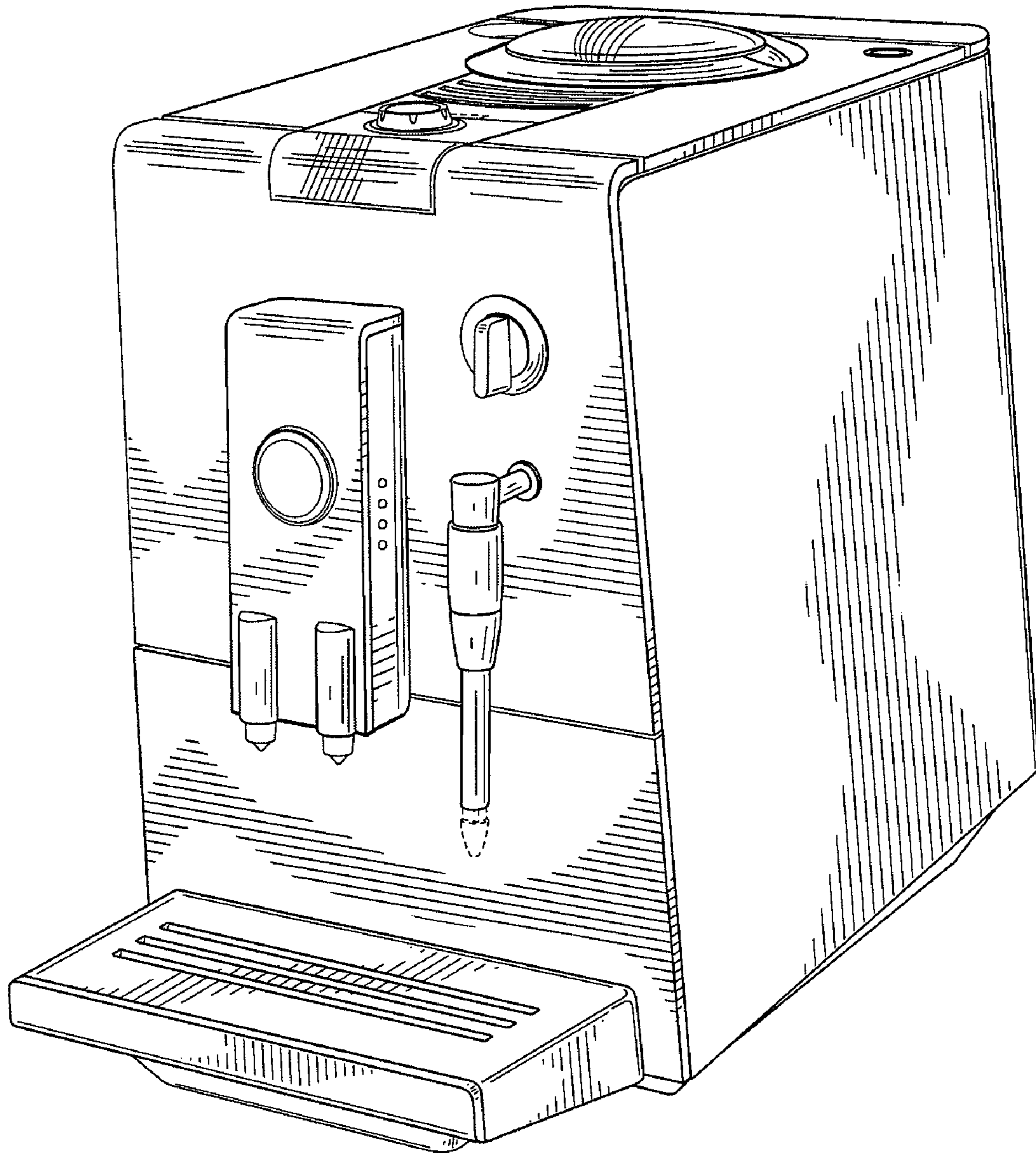


FIG. 1

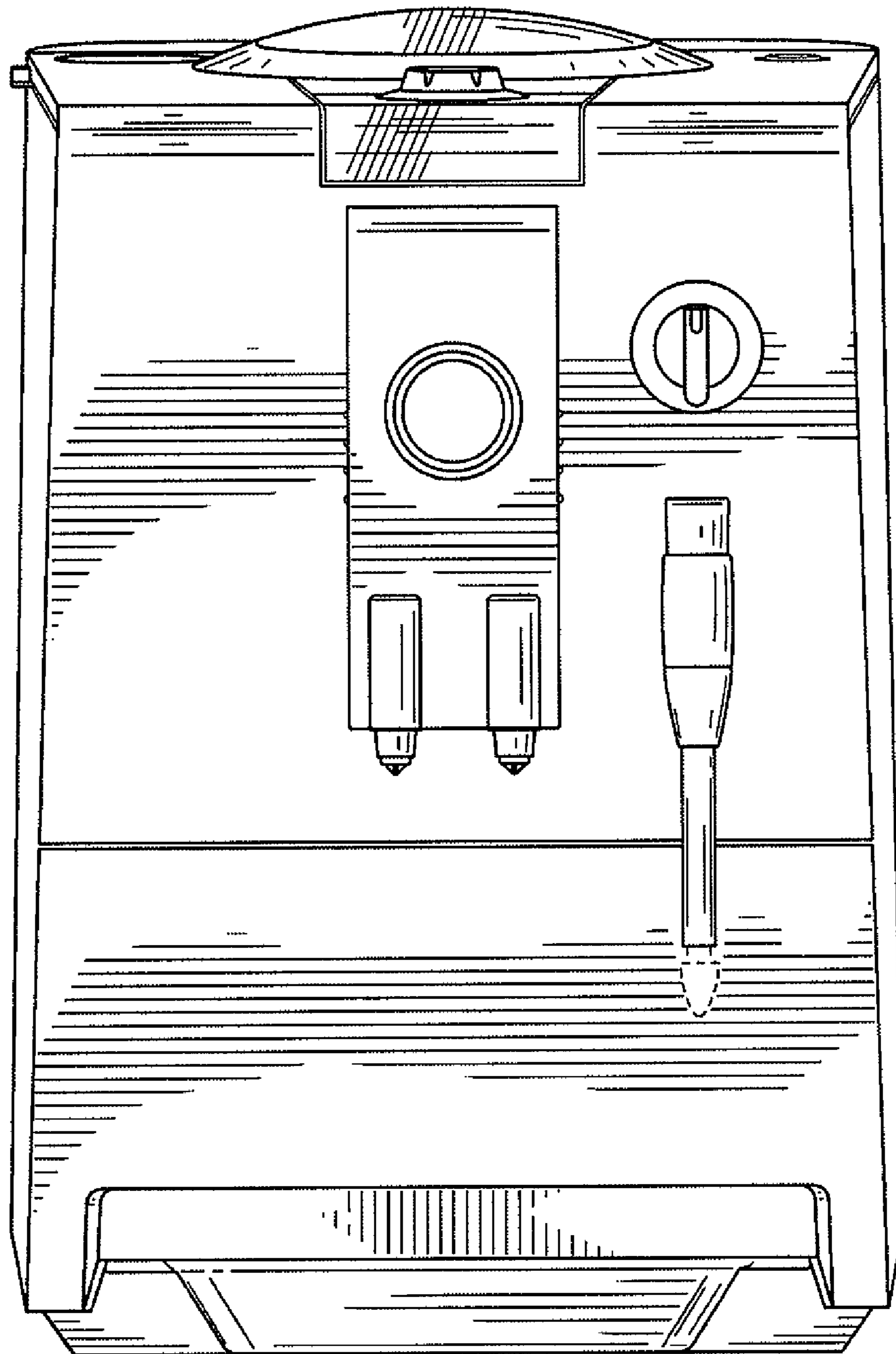


FIG. 2

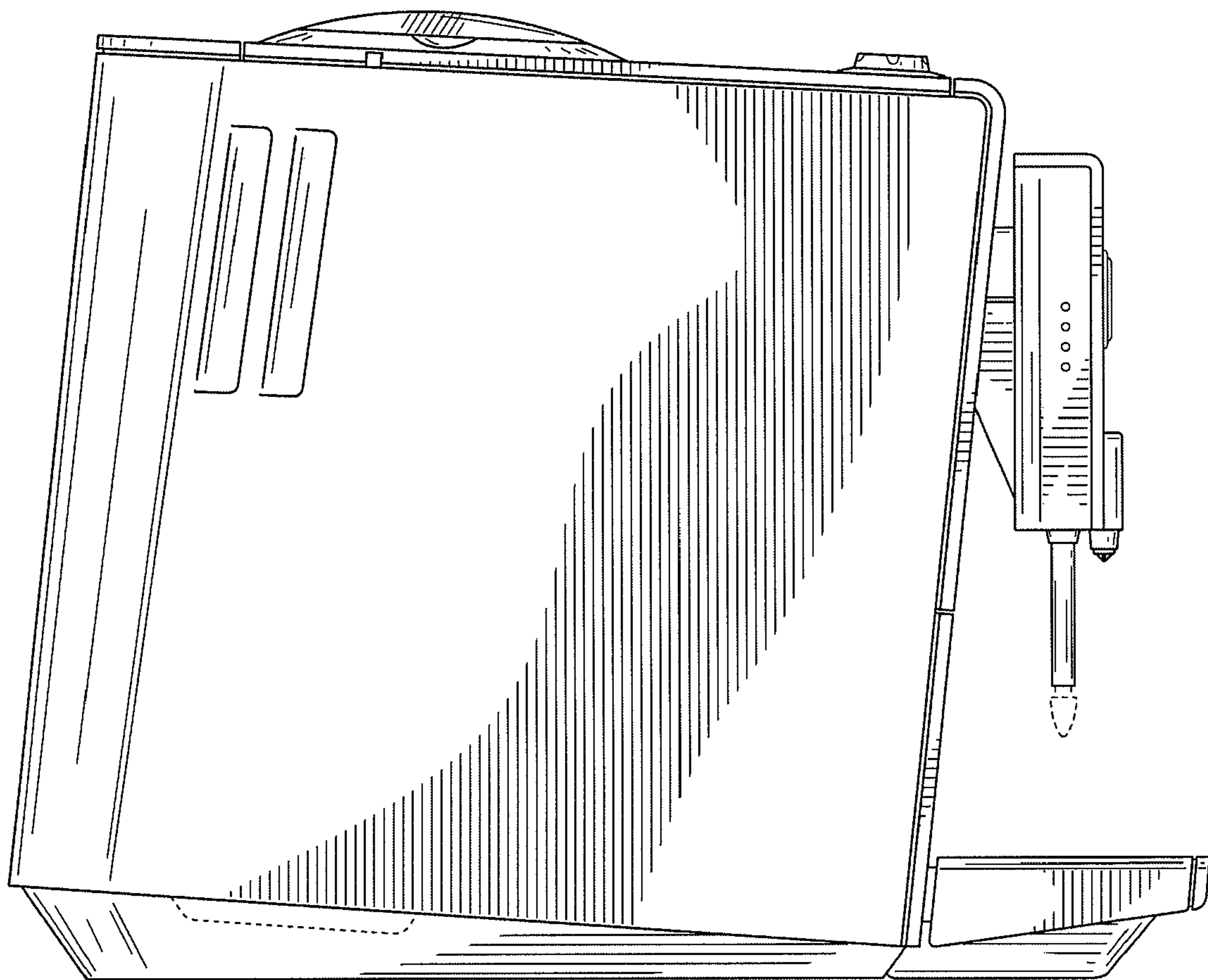


FIG. 3

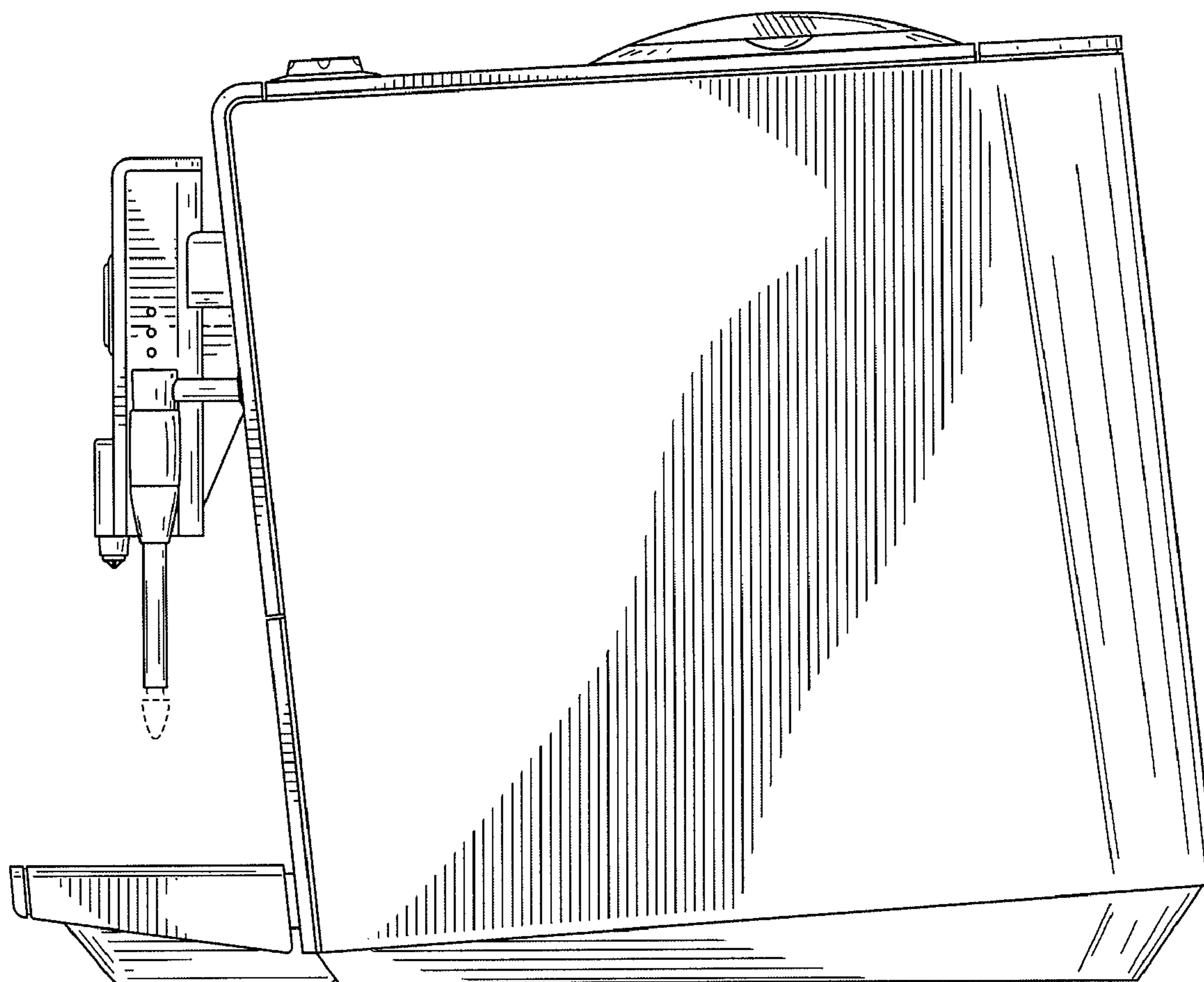


FIG. 4

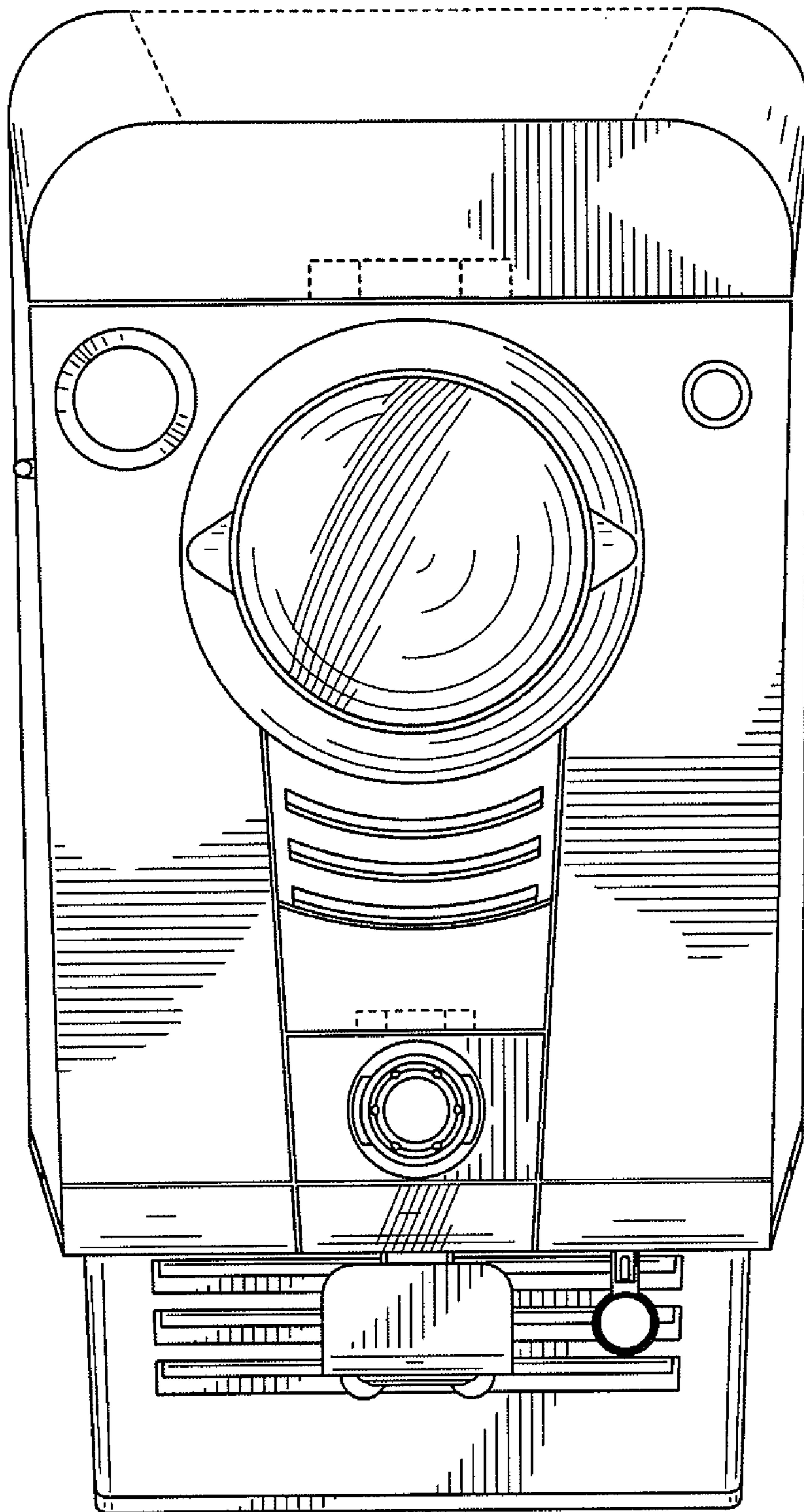


FIG. 5