

US00D587510S

(12) **United States Design Patent**  
**Lam**

(10) **Patent No.:** **US D587,510 S**  
(45) **Date of Patent:** **\*\* Mar. 3, 2009**

(54) **COMPACT THREE-IN-ONE COFFEE MAKER**

(75) Inventor: **Hoi Tak Raymond Lam**, Kowloon (CN)

(73) Assignee: **South Asia International (HK) Limited**, Kowloon, Hong Kong (CN)

(\*\*) Term: **14 Years**

(21) Appl. No.: **29/288,152**

(22) Filed: **May 30, 2007**

(30) **Foreign Application Priority Data**

Dec. 8, 2006 (HK) ..... 0603253

(51) **LOC (9) Cl.** ..... **07-01**

(52) **U.S. Cl.** ..... **D7/309; D7/311; D7/310; D7/305**

(58) **Field of Classification Search** ..... **D7/305, D7/309-311, 300; 99/286, 300, 310, 279, 99/295**

See application file for complete search history.

(56) **References Cited**

**U.S. PATENT DOCUMENTS**

4,603,620	A *	8/1986	Daugherty	.....	99/300
D295,486	S *	5/1988	Eugster et al.	.....	D7/309
4,895,308	A *	1/1990	Tanaka	.....	241/65
D318,973	S *	8/1991	Hasslacher	.....	D7/308
D337,915	S *	8/1993	Kahlcke	.....	D7/308
D356,923	S *	4/1995	Reinardy et al.	.....	D7/309

D367,798	S *	3/1996	Storsberg	.....	D7/309
D368,826	S *	4/1996	Storsberg	.....	D7/309
D373,501	S *	9/1996	Han	.....	D7/309
D382,437	S *	8/1997	Amiel	.....	D7/309
D408,681	S *	4/1999	Lin	.....	D7/309
D431,409	S *	10/2000	Man	.....	D7/309
D452,106	S *	12/2001	Seiffert	.....	D7/305
D461,358	S *	8/2002	Cahen	.....	D7/309
D489,216	S *	5/2004	Stoner	.....	D7/309
D502,841	S *	3/2005	Santer	.....	D7/379

\* cited by examiner

*Primary Examiner*—Marianne Pandozzi

(74) *Attorney, Agent, or Firm*—Alix, Yale & Ristas, LLP

(57) **CLAIM**

The ornamental design for a compact three-in-one coffee maker, as shown and described.

**DESCRIPTION**

FIG. 1 is a perspective view of the compact three-in-one coffee maker showing my new design;

FIG. 2 is a front view thereof;

FIG. 3 is a rear view thereof;

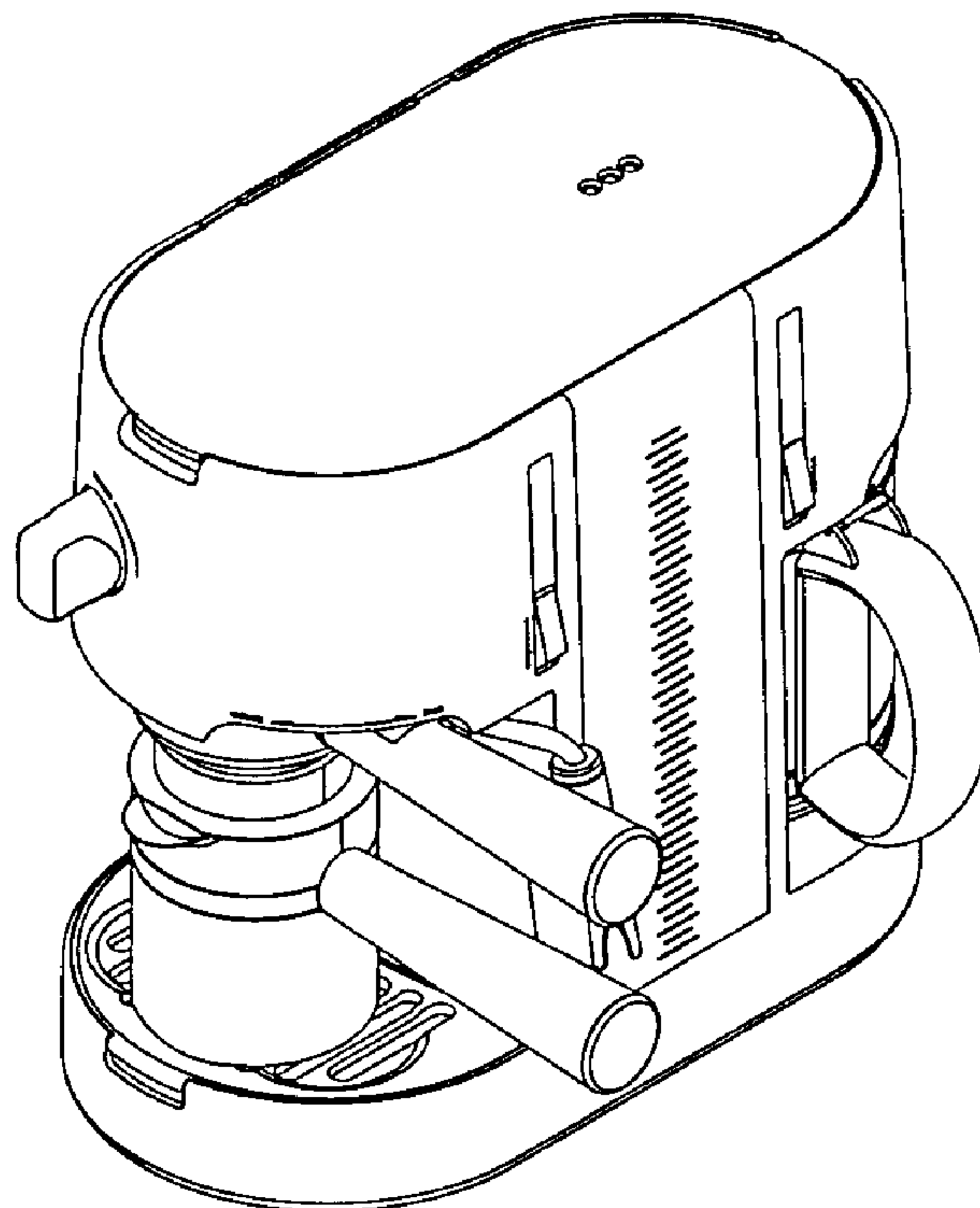
FIG. 4 is a left side view thereof;

FIG. 5 is a right side view thereof;

FIG. 6 is a top plan view thereof; and,

FIG. 7 is a bottom plan view thereof.

**1 Claim, 7 Drawing Sheets**



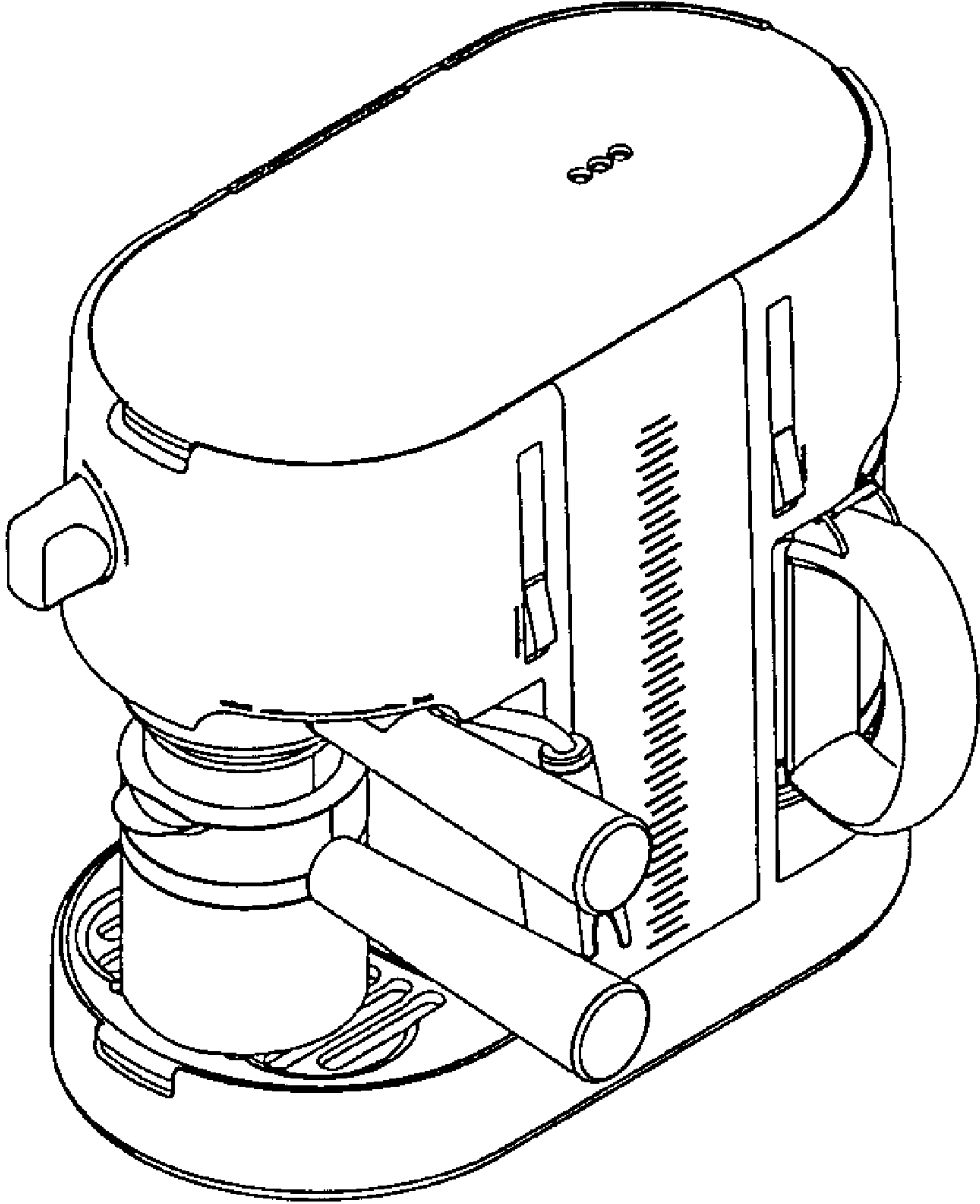


Fig. 1

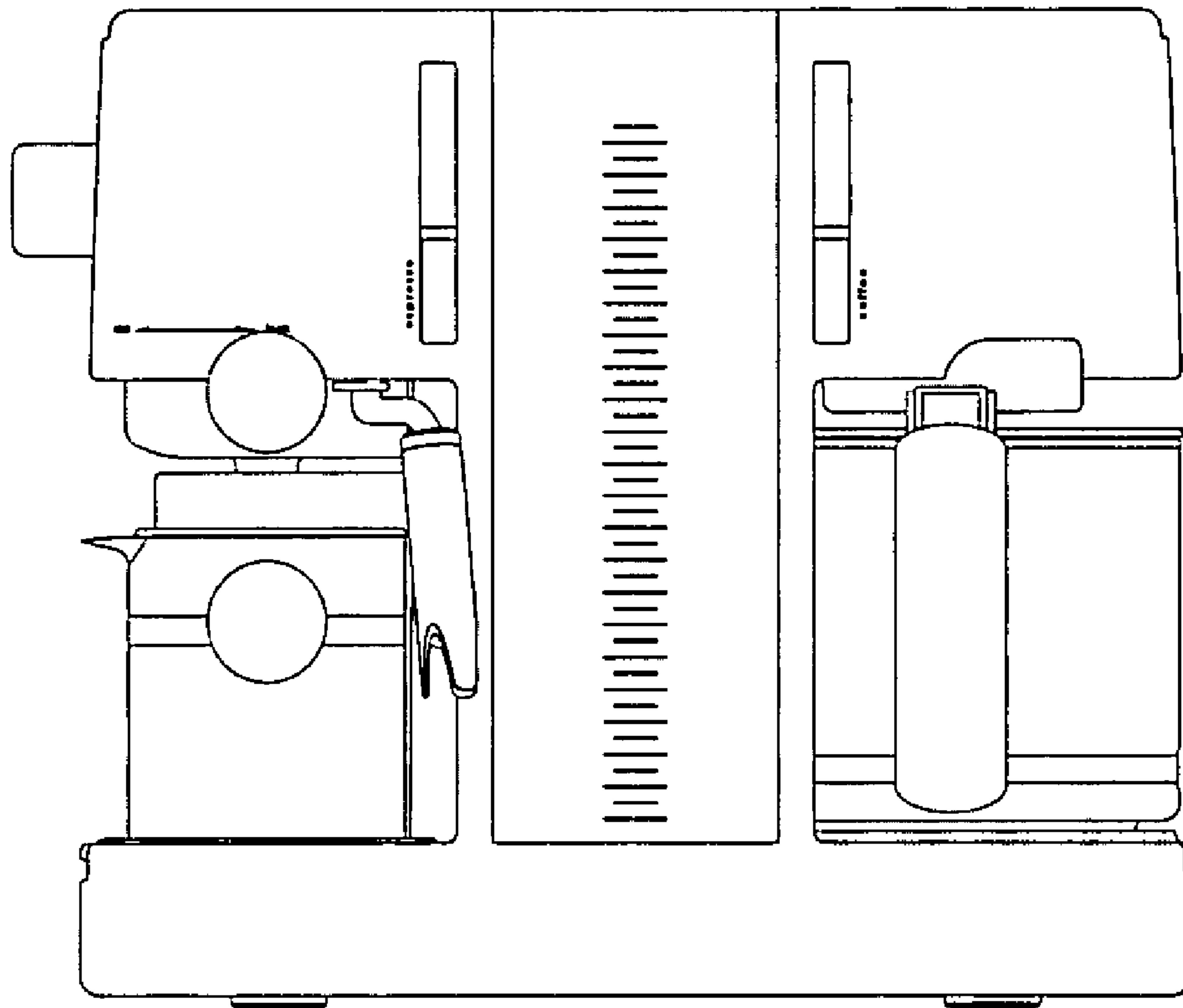
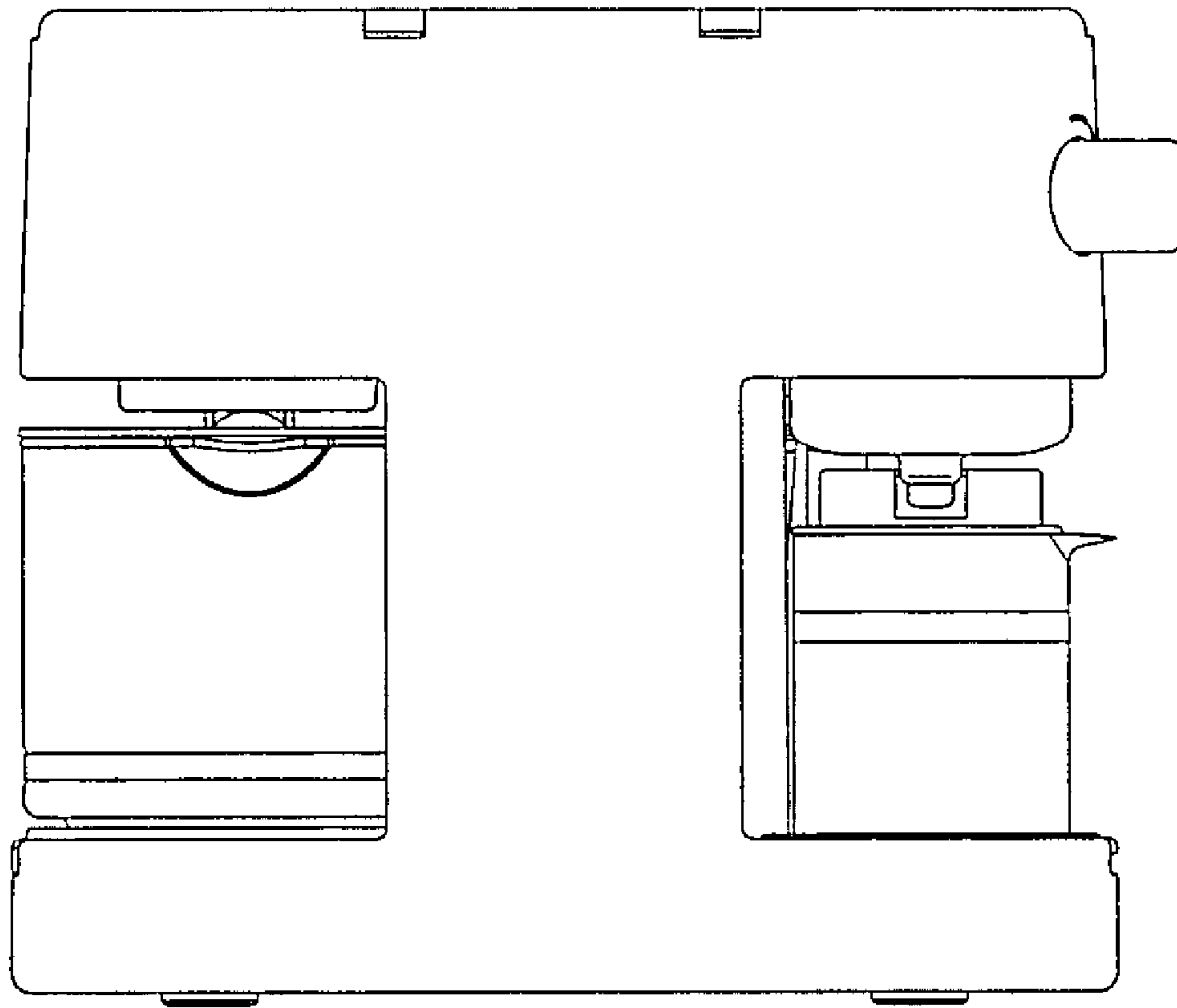
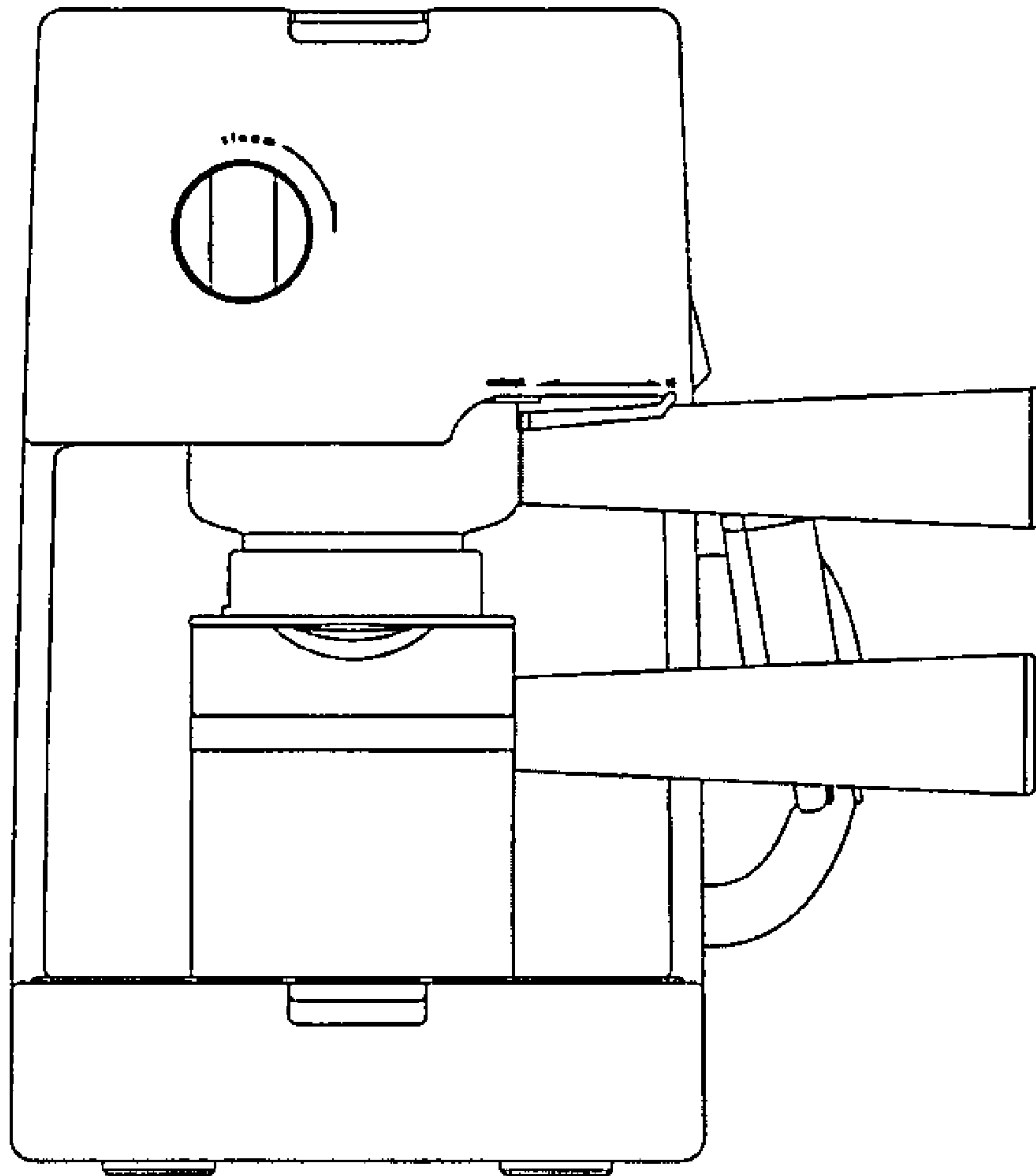


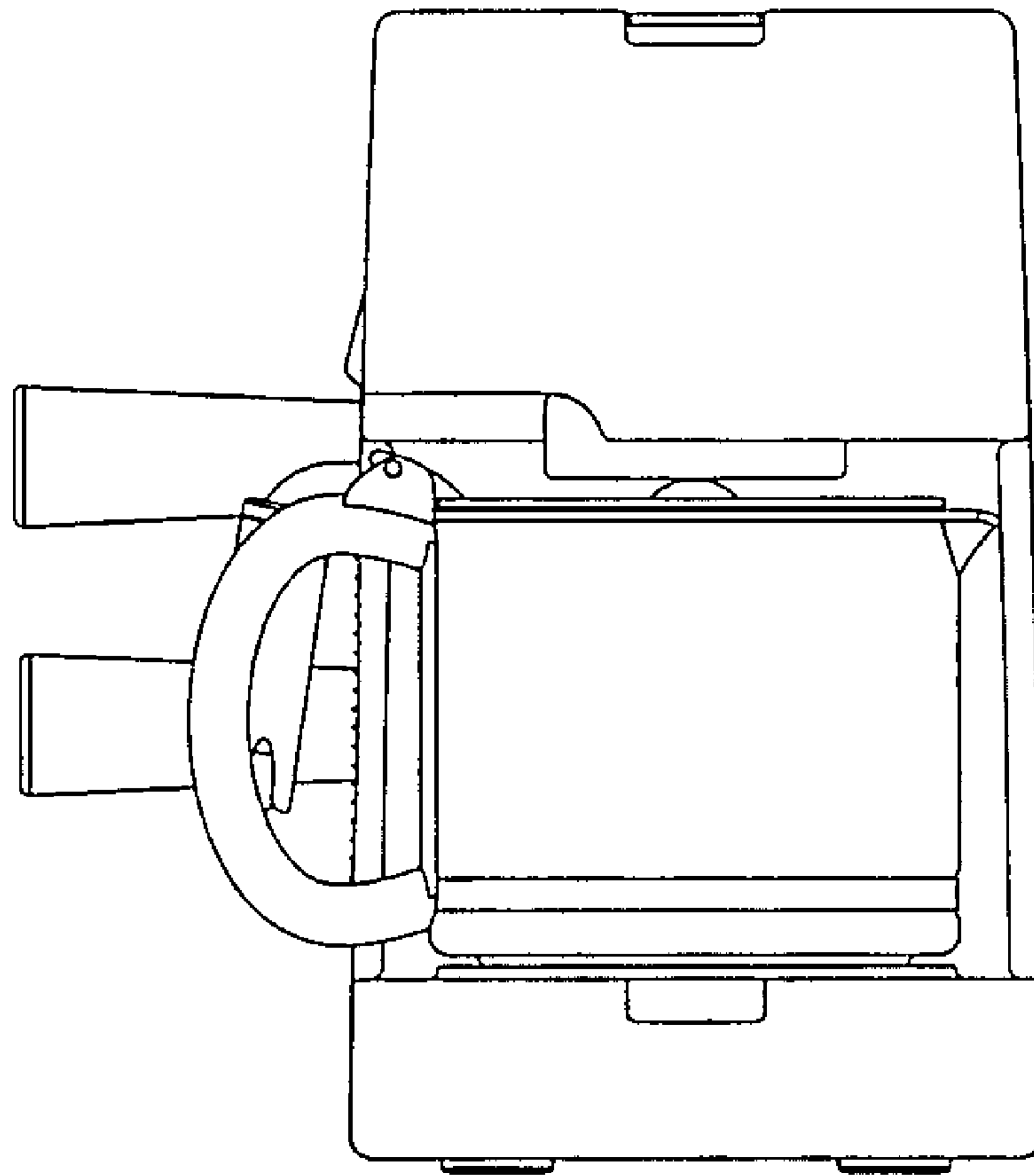
Fig. 2



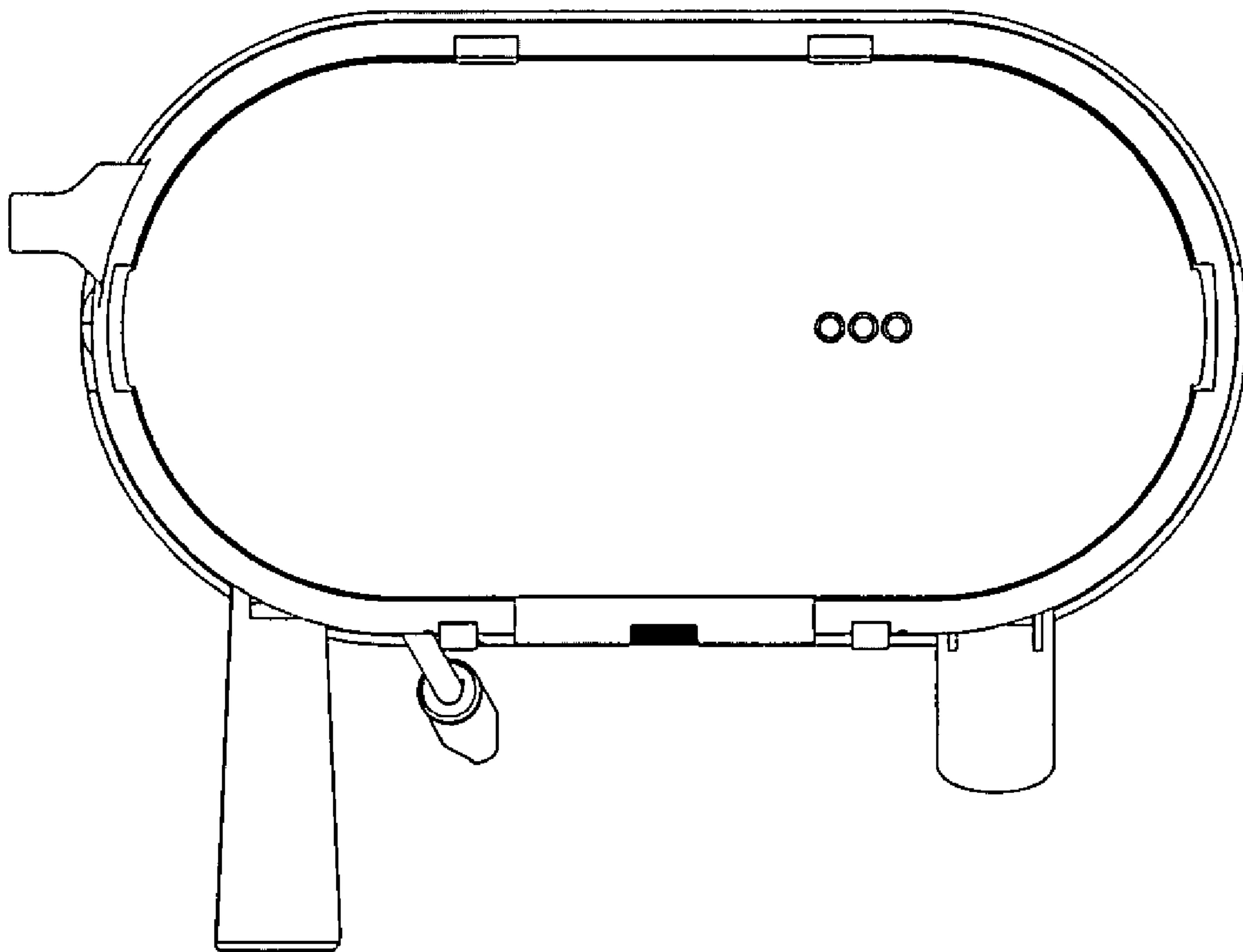
**Fig. 3**



**Fig. 4**



**Fig. 5**



**Fig. 6**

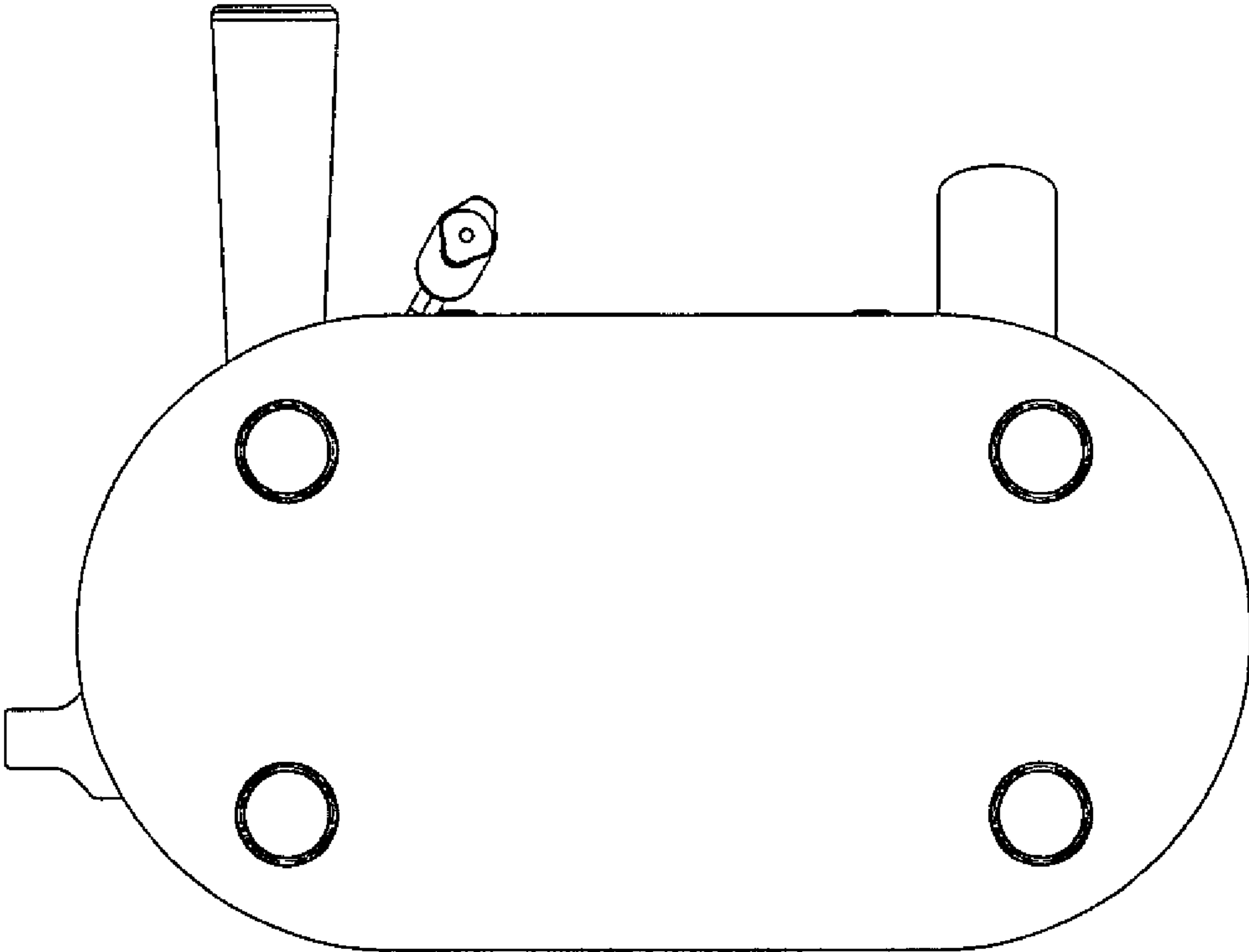


Fig. 7