



US00D587509S

(12) **United States Design Patent**
Kennedy et al.

(10) **Patent No.:** **US D587,509 S**
(45) **Date of Patent:** **** Mar. 3, 2009**

(54) **ICE TEA BREWER**

(75) Inventors: **William Kennedy**, Boca Raton, FL (US); **Giovanni Pino**, Delray Beach, FL (US); **Eric O'Neill**, Boynton Beach, FL (US); **Tong Jin Kim**, Evanston, IL (US); **Hyunchul Kim**, Chicago, IL (US)

(73) Assignee: **Sunbeam Products, Inc.**, Boca Raton, FL (US)

(**) Term: **14 Years**

(21) Appl. No.: **29/298,986**

(22) Filed: **Dec. 17, 2007**

(51) **LOC (9) Cl.** **07-01**

(52) **U.S. Cl.** **D7/306; D7/300**

(58) **Field of Classification Search** D7/306-308, D7/309-311, 305, 397, 300; 99/306, 307
See application file for complete search history.

(56) **References Cited**

U.S. PATENT DOCUMENTS

- D385,747 S * 11/1997 Inoue D7/311
- D431,145 S * 9/2000 Woebcke et al. D7/306
- D483,214 S * 12/2003 Holderfield et al. D7/309
- D514,867 S * 2/2006 Steiner D7/309
- D520,064 S * 5/2006 Worthington et al. D20/1

- D525,469 S * 7/2006 Hansen D7/309
- D563,142 S * 3/2008 Kauer D7/306
- D570,149 S * 6/2008 Truong D7/309
- D581,196 S * 11/2008 Kassenaar D7/306
- D581,197 S * 11/2008 Kassenaar D7/306

* cited by examiner

Primary Examiner—Marianne Pandozzi

(74) *Attorney, Agent, or Firm*—Seth M. Blum

(57) **CLAIM**

The ornamental design for an ice tea brewer, as shown and described.

DESCRIPTION

FIG. 1 is a right top front perspective view of the ice tea brewer;

FIG. 2 is a left side elevation view thereof;

FIG. 3 is a front elevation view thereof;

FIG. 4 is a right side elevation view thereof;

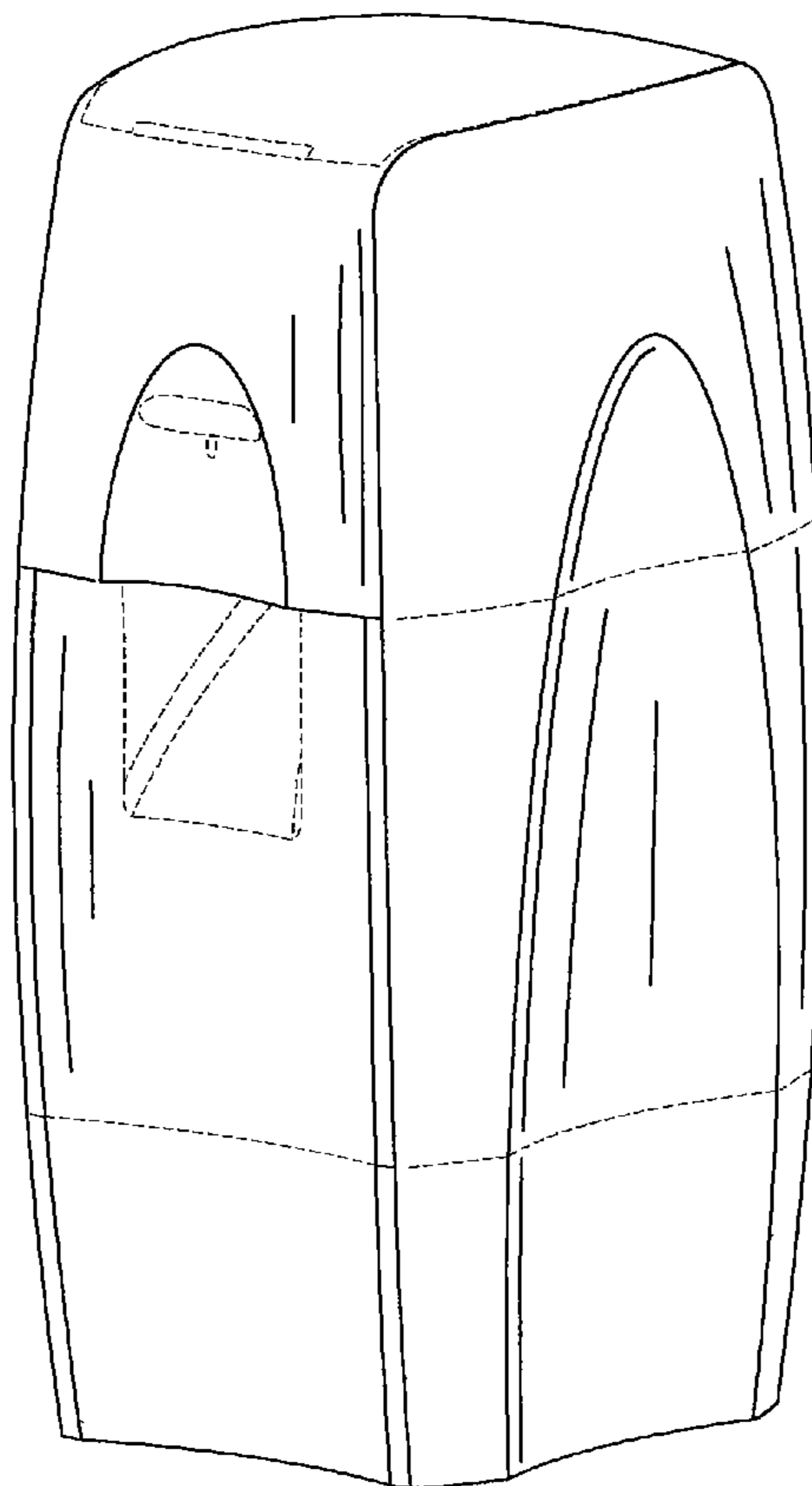
FIG. 5 is a rear elevation view thereof;

FIG. 6 is a top plan view thereof; and,

FIG. 7 is a bottom plan view thereof.

The broken lines in the drawings are for illustrative purposes only and form no part of the claimed design.

1 Claim, 7 Drawing Sheets



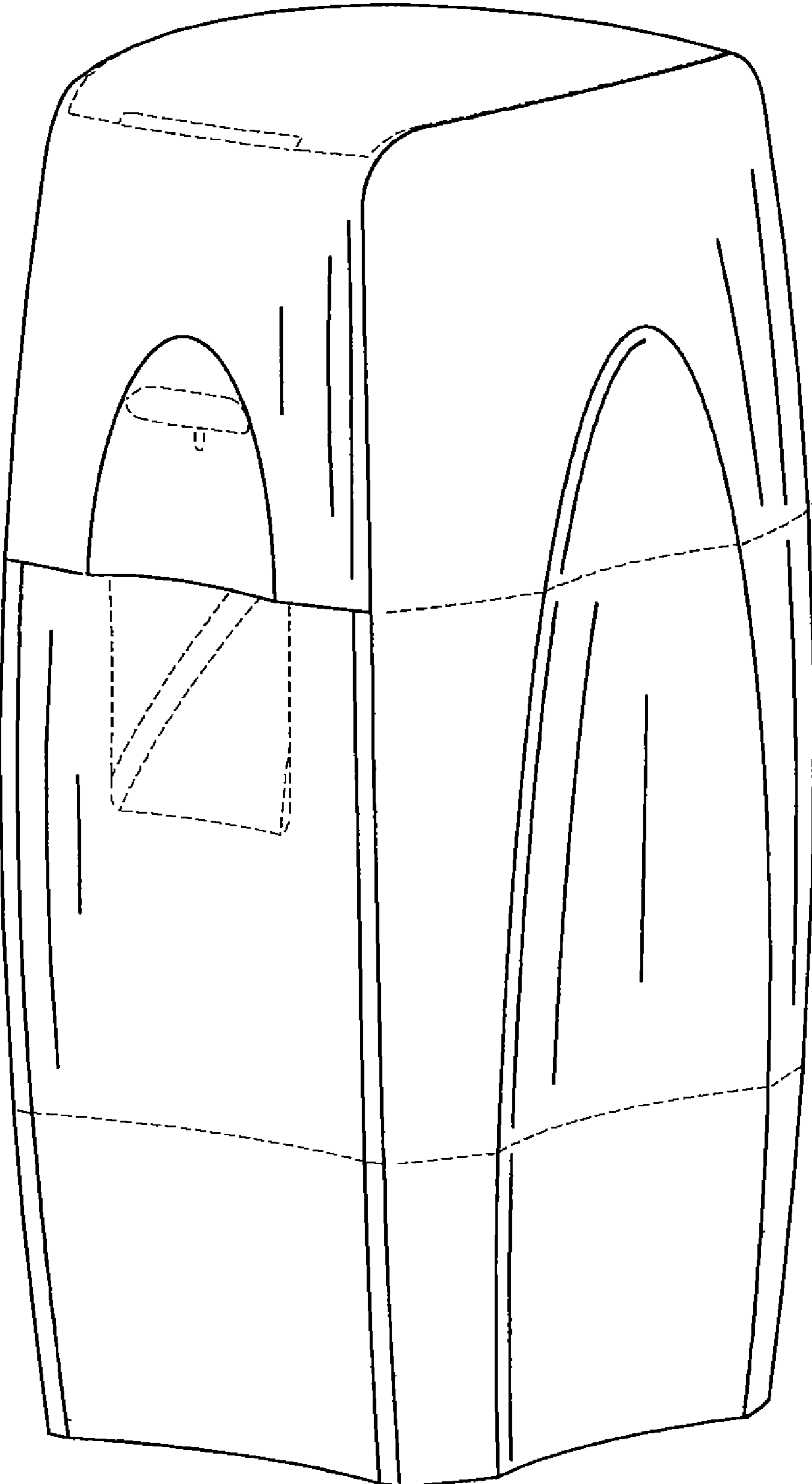


FIG 1

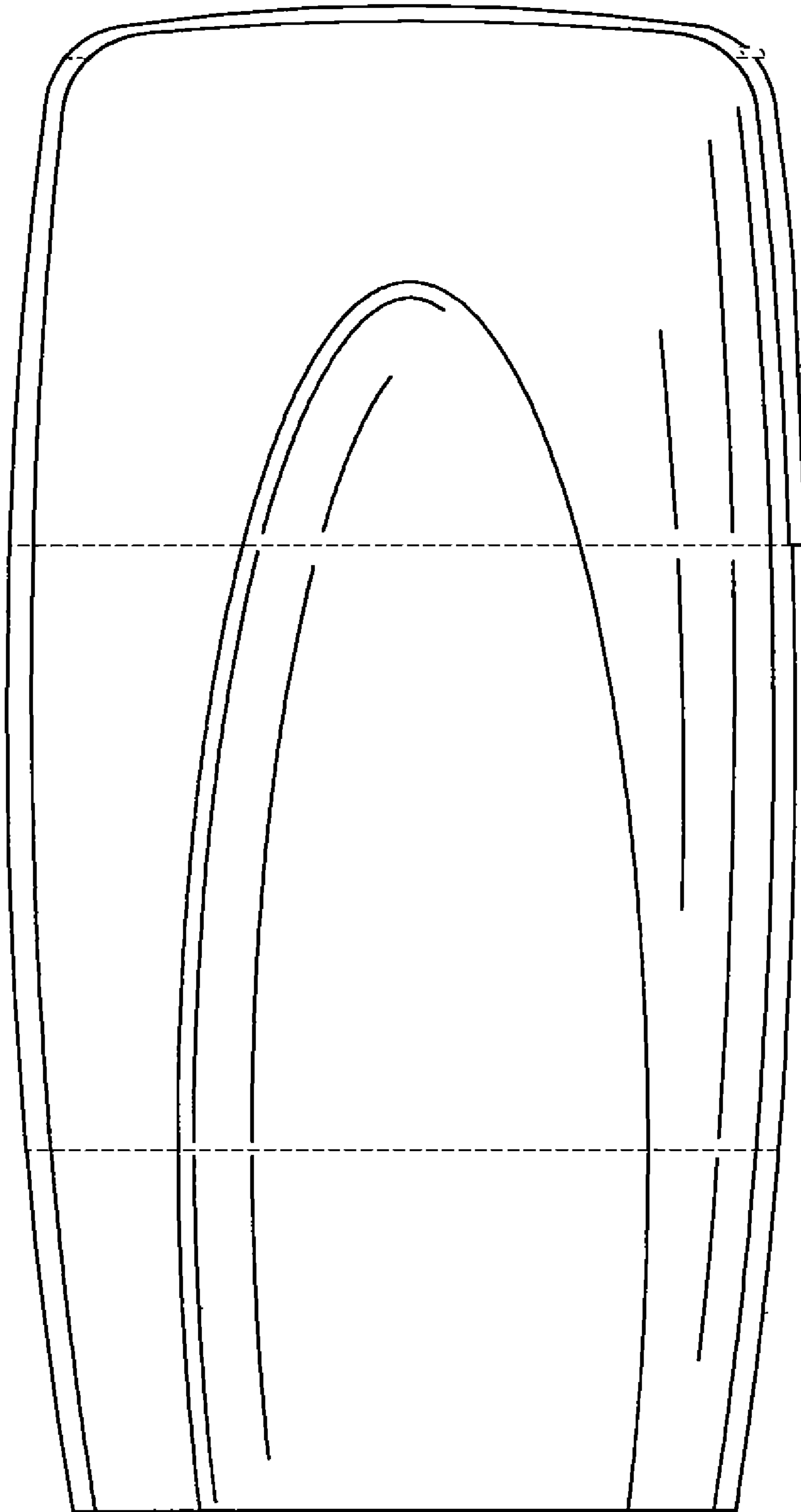


FIG 2

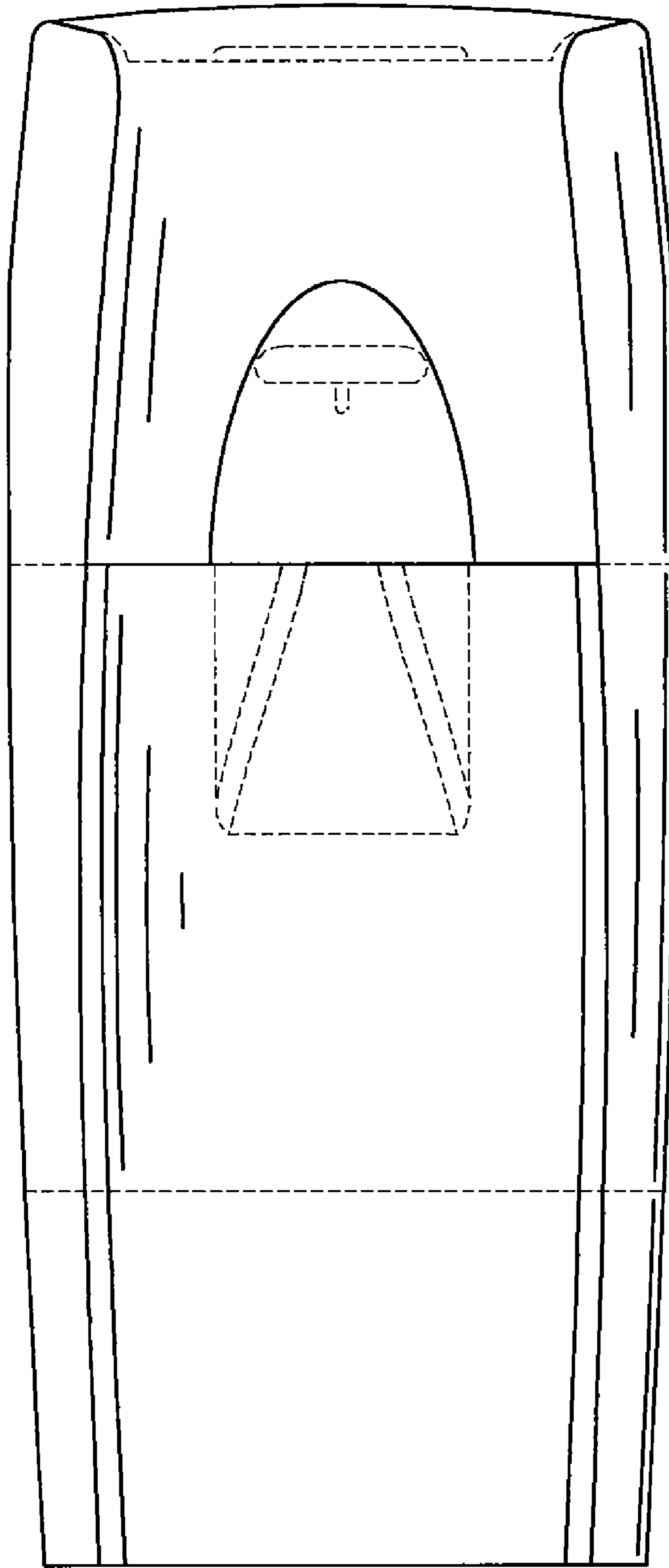


FIG 3

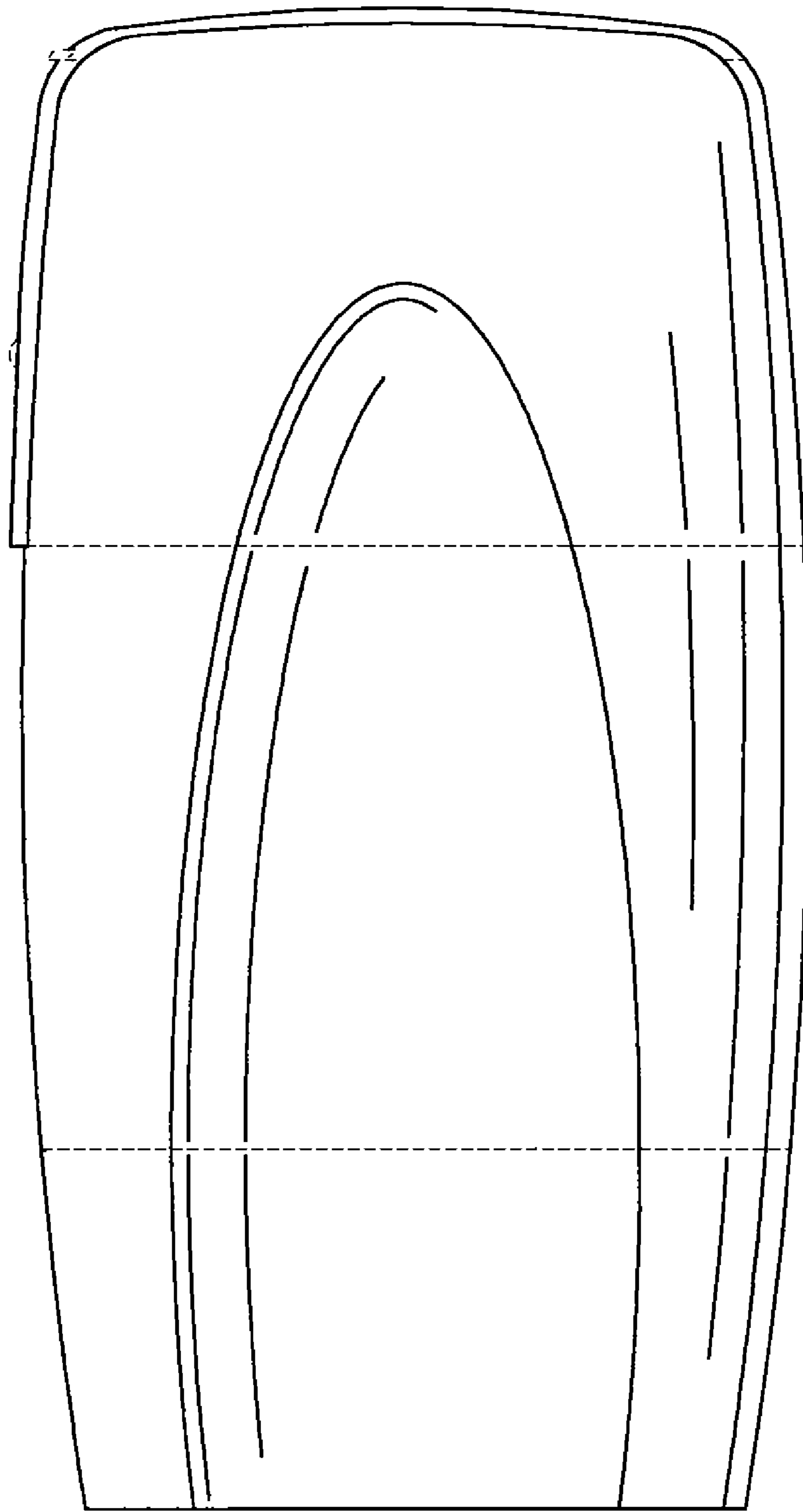


FIG 4

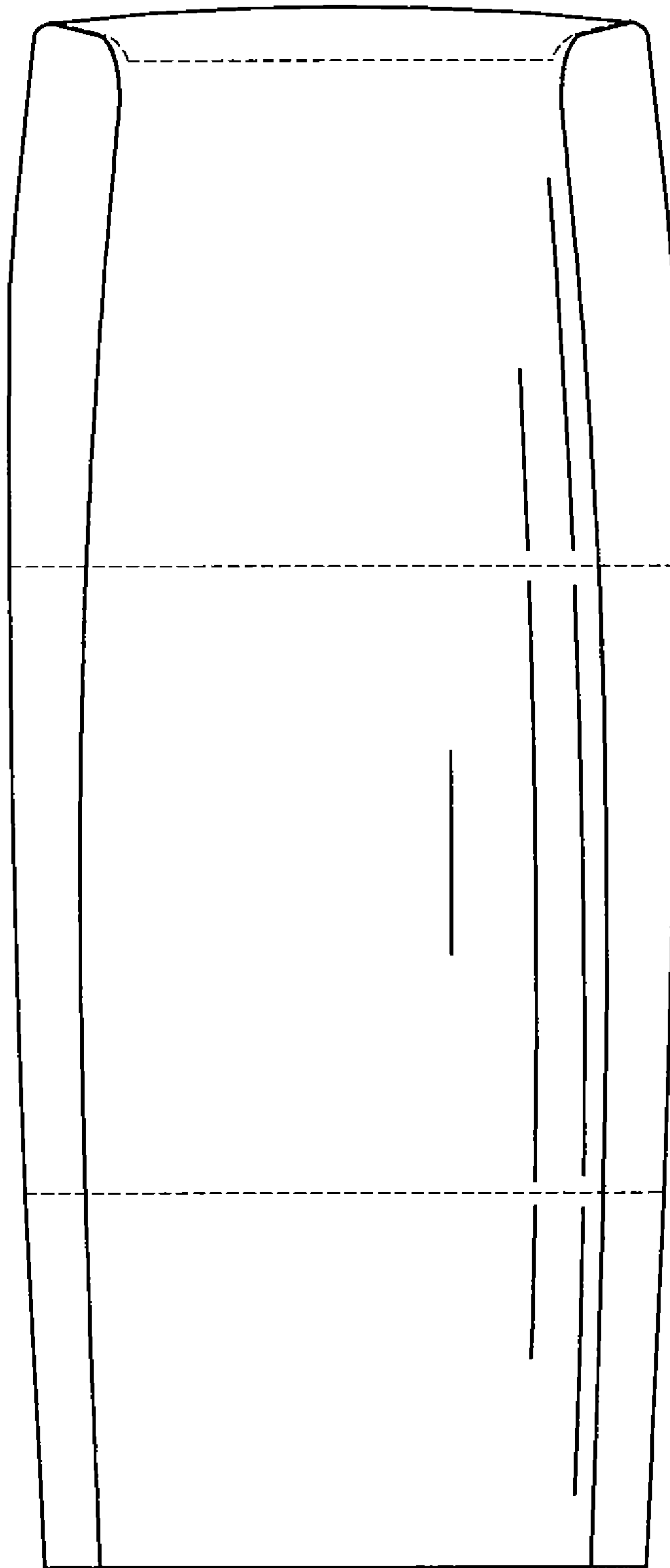


FIG 5

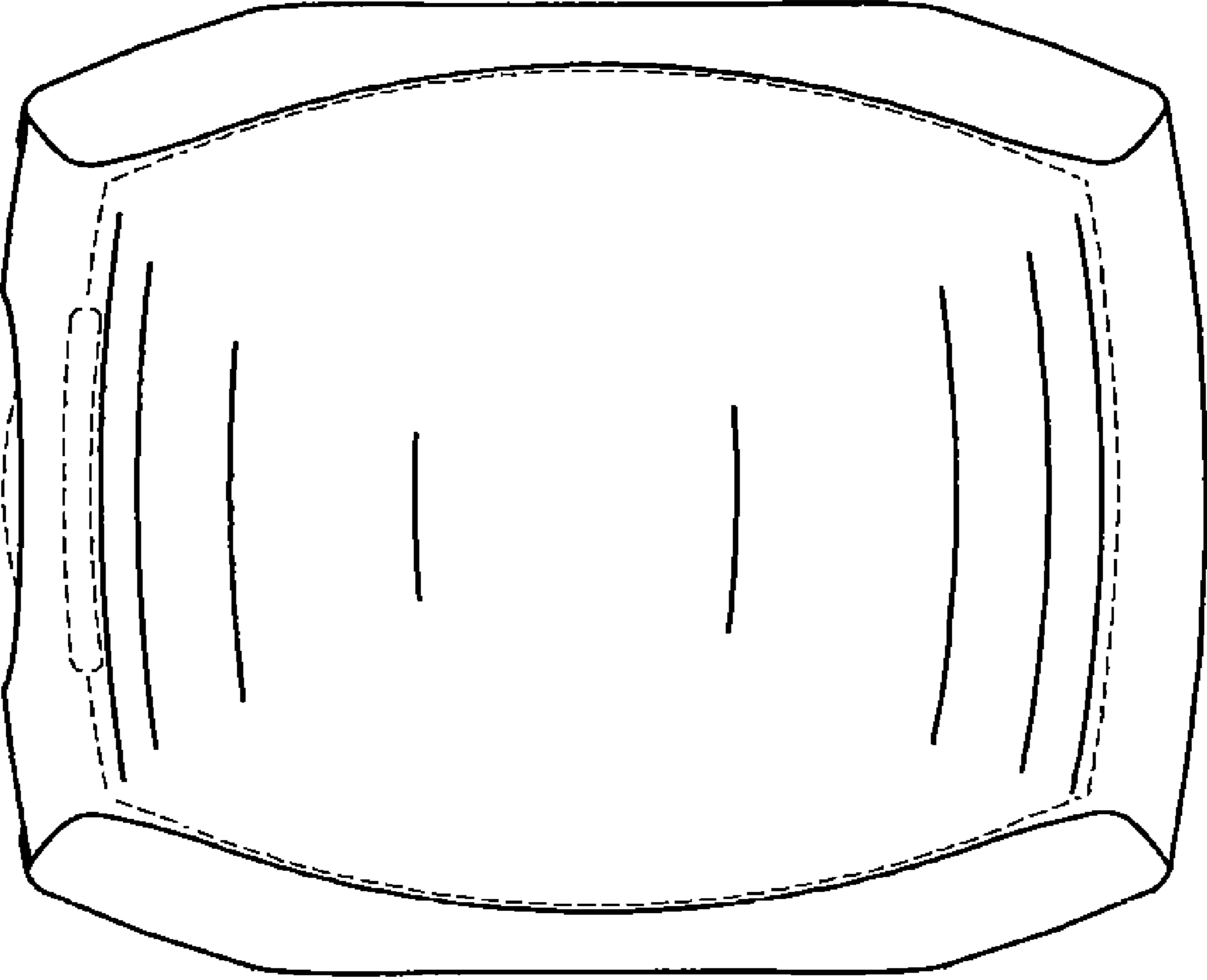


FIG 6

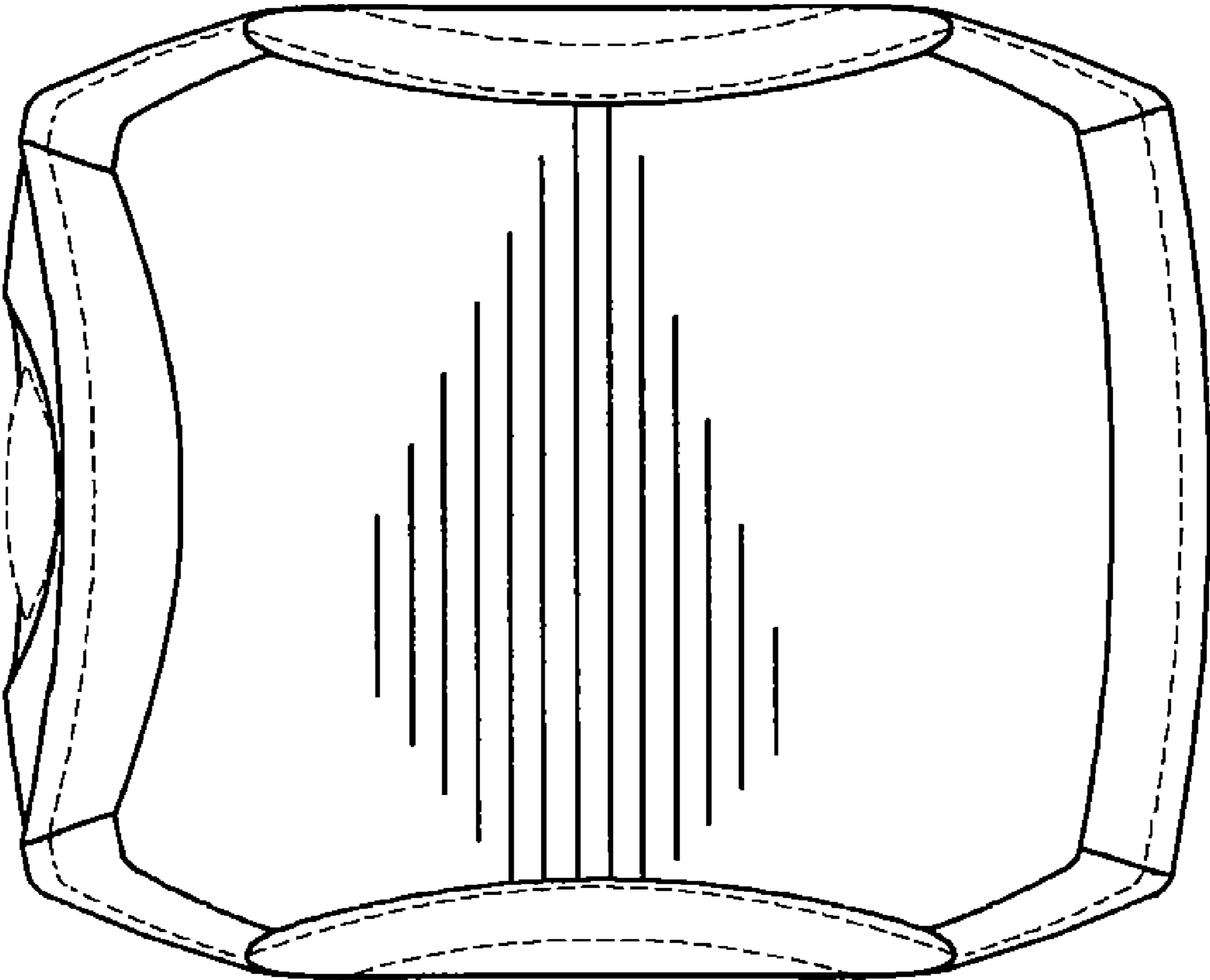


FIG 7