



US00D587508S

(12) **United States Design Patent**
Knee

(10) **Patent No.:** **US D587,508 S**
(45) **Date of Patent:** **** Mar. 3, 2009**

(54) **BED RAIL COVER**

(76) **Inventor:** **Barrie Knee**, 27 Slayton Dr., Short Hills,
NJ (US) 07078-1534

(**) **Term:** **14 Years**

(21) **Appl. No.:** **29/307,506**

(22) **Filed:** **Apr. 24, 2008**

(51) **LOC (9) Cl.** **06-13**

(52) **U.S. Cl.** **D6/610**

(58) **Field of Classification Search** D6/610,
D6/611, 612, 616, 596, 601, 606, 607, 624,
D6/502; 5/663, 512, 946, 93.1, 100; 160/638.1,
160/327-329, 330, 348, 349.1, 45, 46, 35,
160/84.03; 128/872; D25/57; 381/79
See application file for complete search history.

(56) **References Cited**

U.S. PATENT DOCUMENTS

2,908,766	A *	10/1959	Taylor	381/79
3,877,090	A *	4/1975	Schutz	5/93.1
3,996,987	A *	12/1976	Rodriguez	160/330
D365,957	S *	1/1996	Ferrari	D6/606
D390,388	S *	2/1998	Kaczmarek et al.	D6/502
5,768,722	A *	6/1998	Olson et al.	5/512
D427,834	S *	7/2000	Buckley	D6/610
6,178,573	B1 *	1/2001	Wagner et al.	5/946
6,530,413	B2 *	3/2003	Hwang	160/84.03

D571,139	S *	6/2008	Knee et al.	D6/610
D571,140	S *	6/2008	Knee et al.	D6/610
2004/0045684	A1 *	3/2004	Smith et al.	160/348
2006/0060314	A1 *	3/2006	Battista	160/330

* cited by examiner

Primary Examiner—T. Chase Nelson

Assistant Examiner—David G Muller

(74) *Attorney, Agent, or Firm*—Arthur M. Peslak, Esq.;
Mandel & Peslak, LLC

(57) **CLAIM**

What is claimed is the ornamental design for a bed rail cover,
as shown and described.

DESCRIPTION

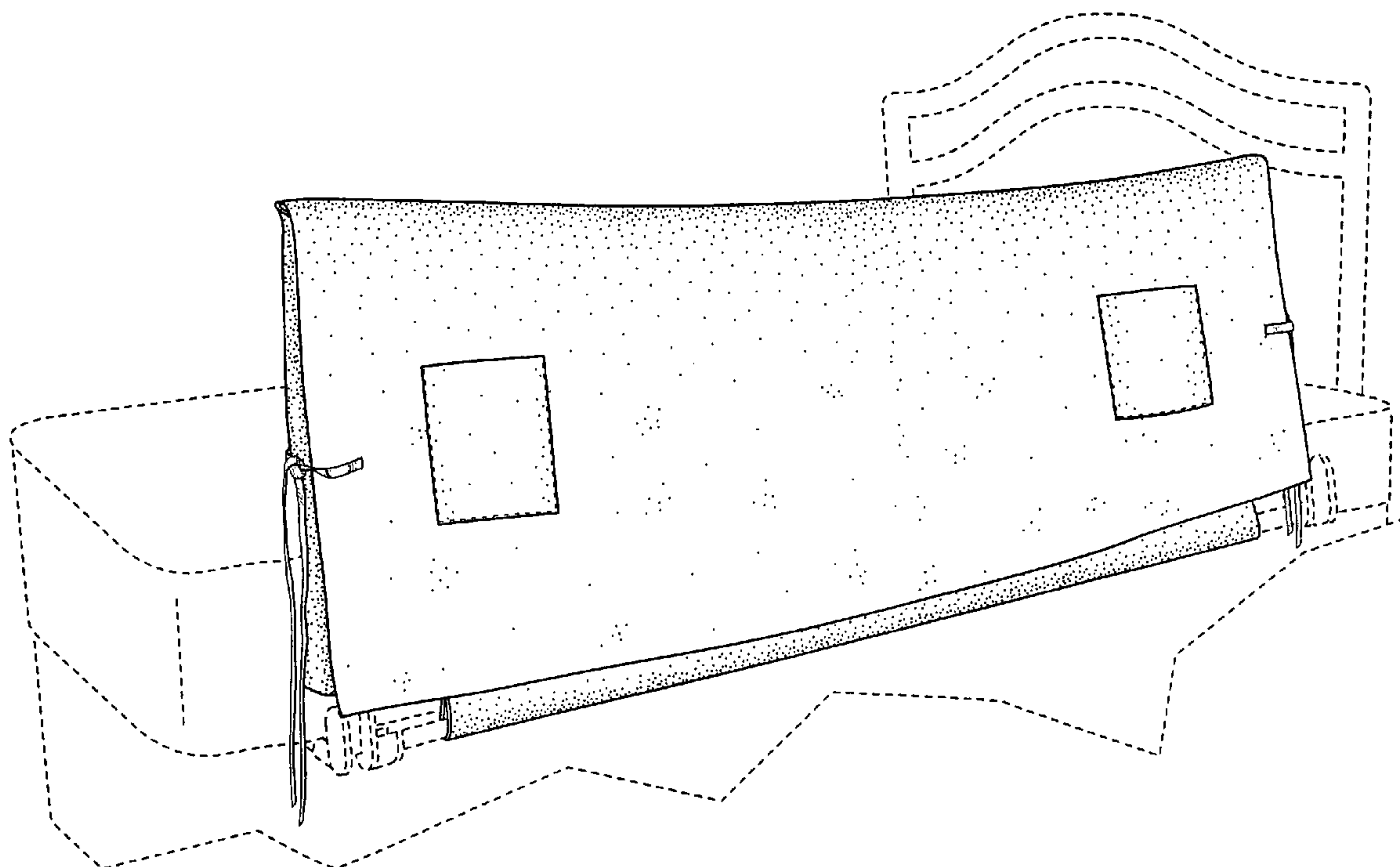
FIG. 1 is a front perspective view of the bed rail cover of the
present invention.

FIG. 2 is a front elevation view of the bed rail cover of the
present invention; and,

FIG. 3 is a side elevation view of the bed rail cover of the
present invention.

The broken line showing of parts of the drawings is included
for illustrating use and environment and forms no part of the
claimed design. However, the broken lines around the cir-
cumference of the rectangular pockets, illustrated in FIG. 1,
represent stitching and are part of the claimed design.

1 Claim, 3 Drawing Sheets



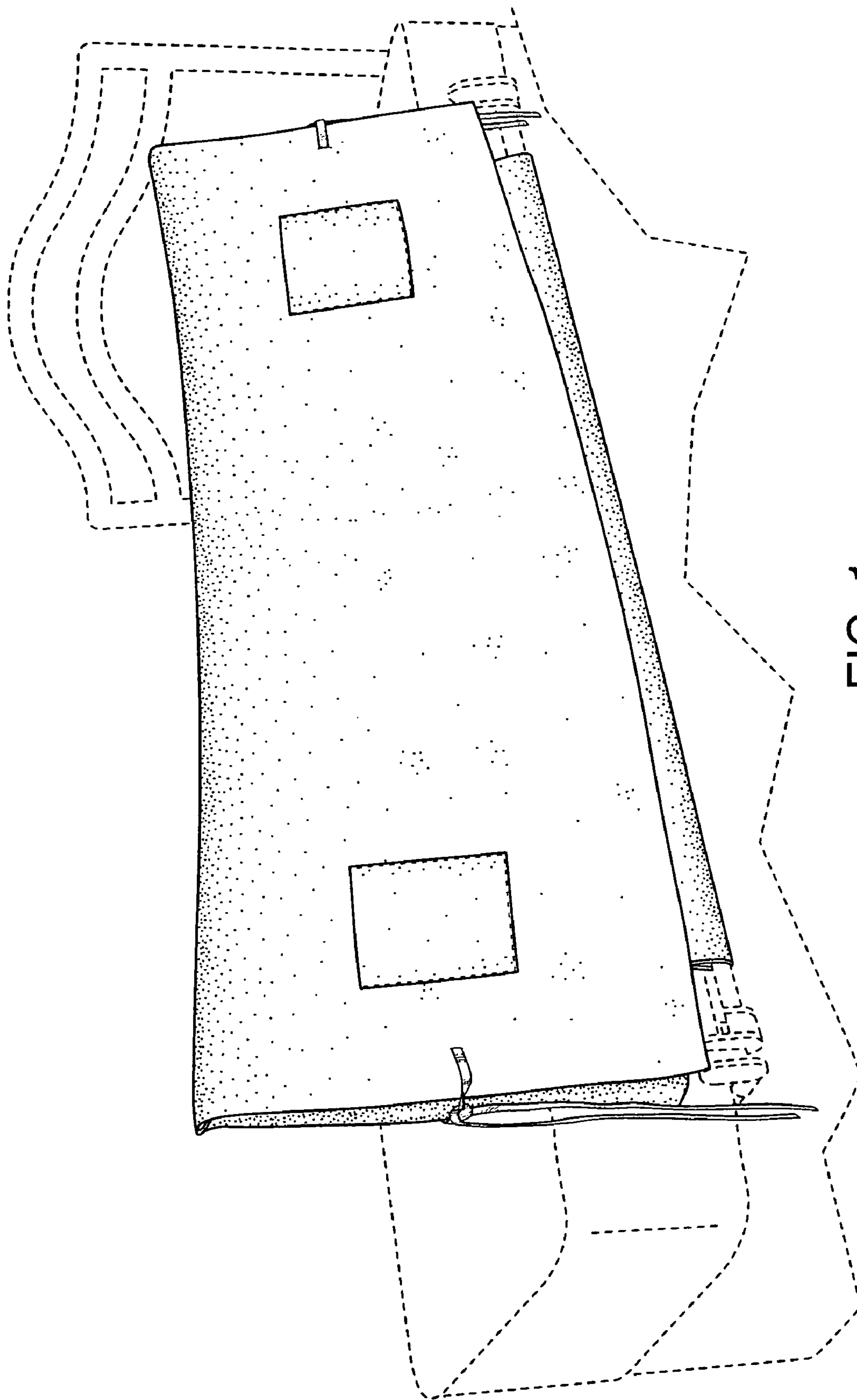


FIG. 1

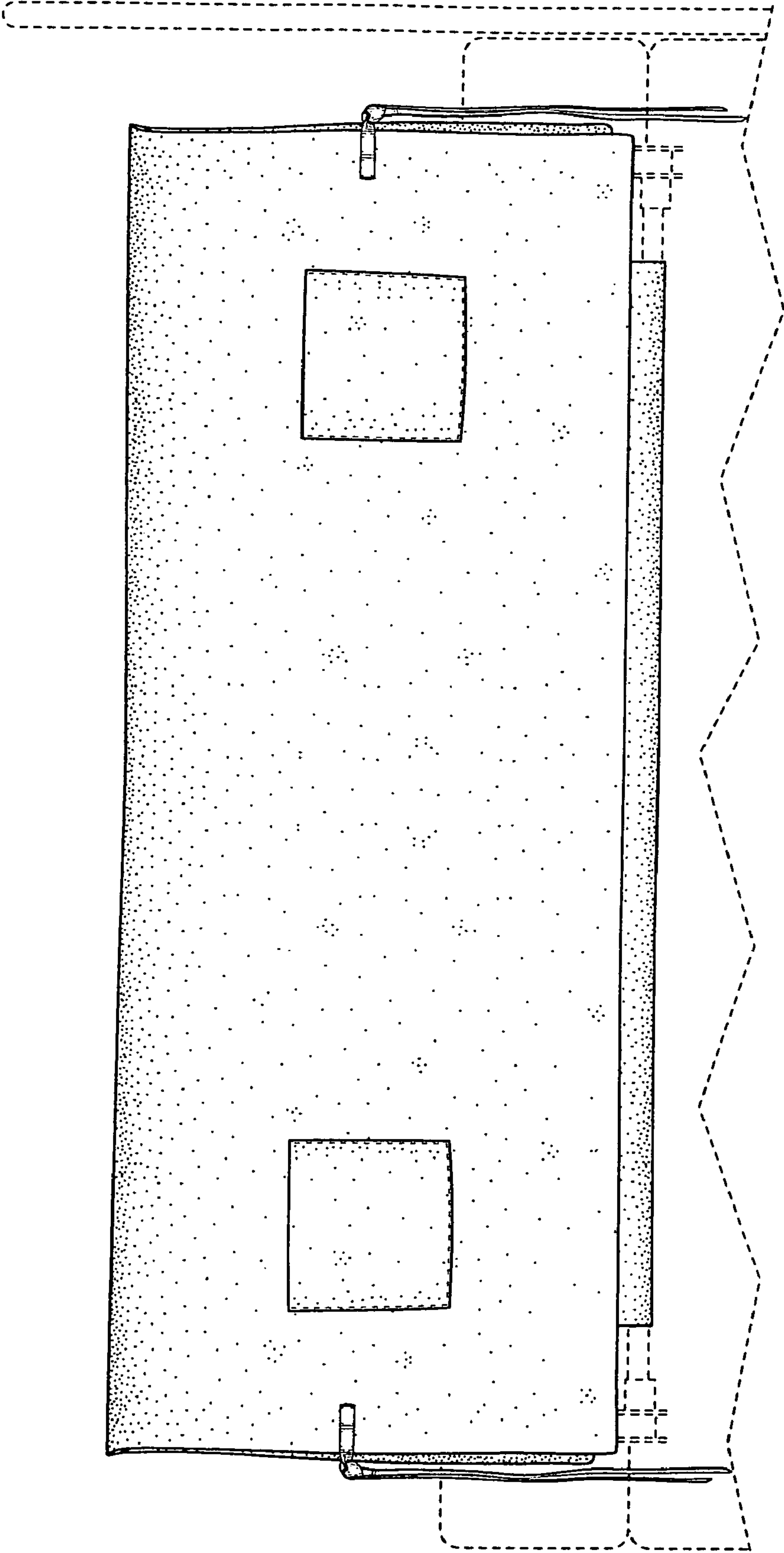


FIG. 2

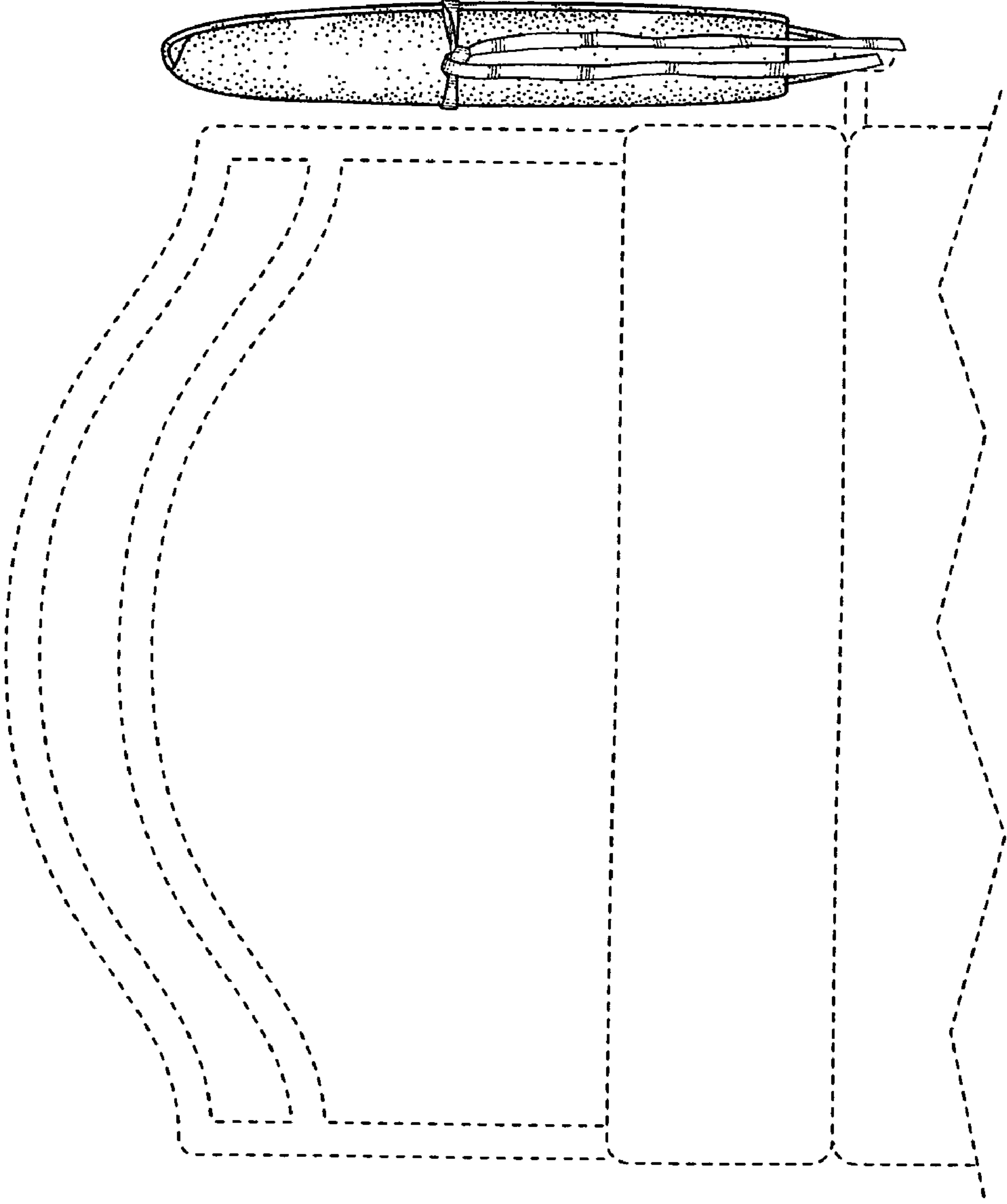


FIG. 3