



US00D587507S

(12) **United States Design Patent**
Martin

(10) **Patent No.:** **US D587,507 S**
(45) **Date of Patent:** **** Mar. 3, 2009**

(54) **INFLATABLE BED SUPPORT SYSTEM**

(75) Inventor: **Juan Ramon Torres Martin**, Barcelona (ES)

(73) Assignee: **Actervis GmbH**, Zug (CH)

(**) Term: **14 Years**

(21) Appl. No.: **29/249,295**

(22) Filed: **Sep. 29, 2006**

(30) **Foreign Application Priority Data**

Mar. 31, 2006 (EP) 000506514

(51) **LOC (9) Cl.** **06-09**

(52) **U.S. Cl.** **D6/604**

(58) **Field of Classification Search** D6/595,
D6/596, 601-606; 5/421, 630, 632, 636,
5/639, 640, 644, 645, 648, 652, 655.3, 655.9,
5/708; D24/183; D21/803, 804, 809
See application file for complete search history.

(56) **References Cited**

U.S. PATENT DOCUMENTS

1,890,358	A *	12/1932	Barcalo	5/640
4,932,089	A *	6/1990	Laviero	5/421
D375,989	S *	11/1996	Jacobs	D21/809
D392,495	S *	3/1998	Baousson	D6/601
D407,259	S *	3/1999	Jackson	D6/604
7,168,115	B2 *	1/2007	Davis	5/655.3
2003/0046766	A1 *	3/2003	Martin	5/644

OTHER PUBLICATIONS

Magic Recliner—Trademark Registration No. 3302094, Oct. 2, 2007, Actervis GmbH Limited Liability Company Switzerland c/o

Schilid Treuhand Ag Graufenweg 8 Zug Switzerland 6304, Trademark Electronic Service System (TESS), available at www.uspto.gov.*

* cited by examiner

Primary Examiner—Caron Veynar

Assistant Examiner—Mary Ann Calabrese

(74) *Attorney, Agent, or Firm*—Larkin hoffman Daly & Lindgren Ltd.; Thomas J. Oppold

(57) **CLAIM**

The ornamental design for an inflatable bed support system, as shown and described.

DESCRIPTION

FIG. 1 is a perspective view of the inflatable bed support system of the present design;

FIG. 2 is a front side elevation view of the inflatable bed support system of FIG. 1;

FIG. 3 is a right side elevation view of the inflatable bed support system of FIG. 1;

FIG. 4 is a left side elevation view of the inflatable bed support system of FIG. 1;

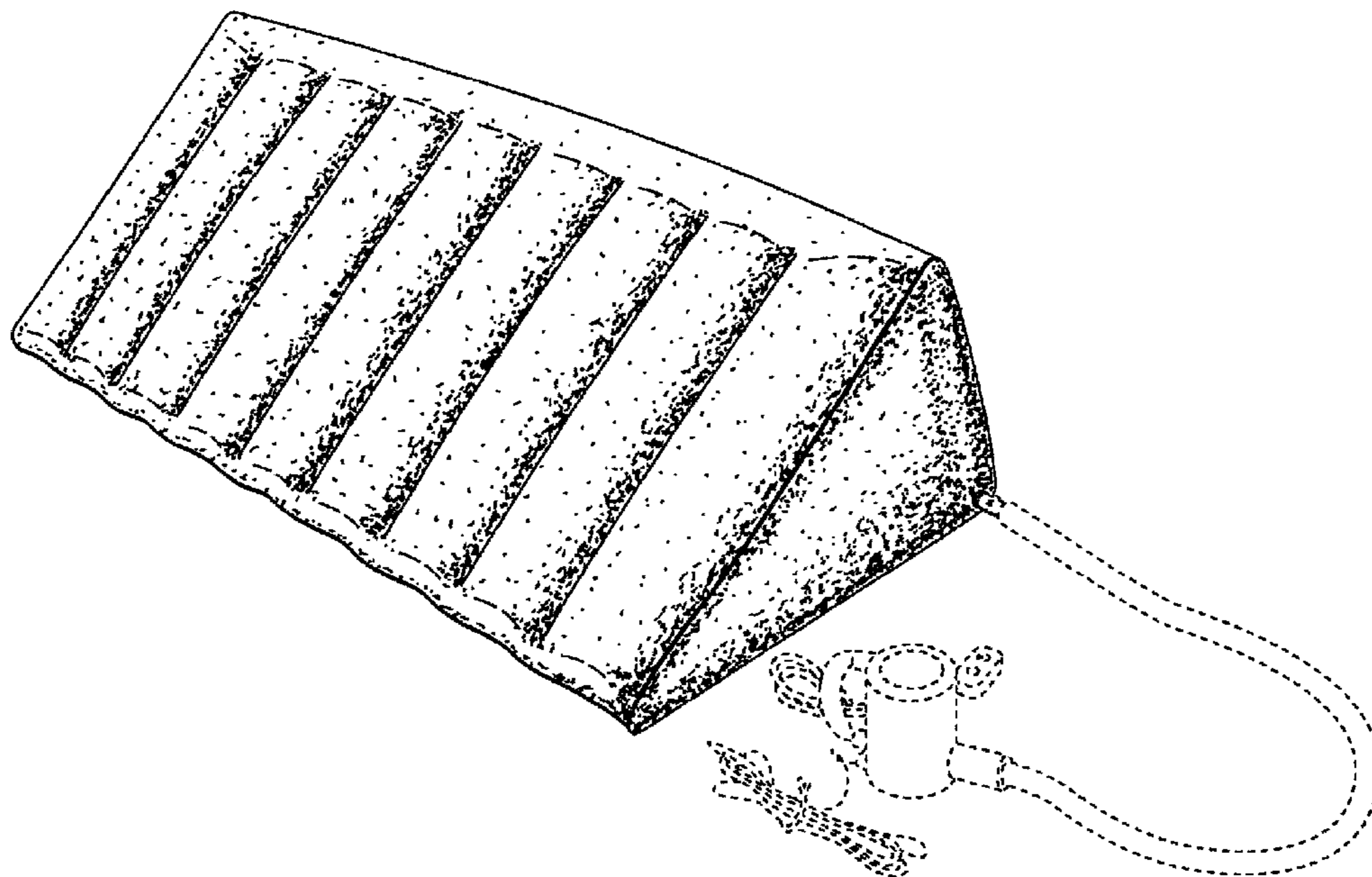
FIG. 5 is a top plan view of the inflatable bed support system of FIG. 1;

FIG. 6 is a bottom plan view of the inflatable bed support system of FIG. 1; and,

FIG. 7 is a back side elevation view of the inflatable bed support system of FIG. 1.

In the drawings, the broken lines showing the air pump, electrical cords and air hose form no part of the claimed design.

1 Claim, 6 Drawing Sheets



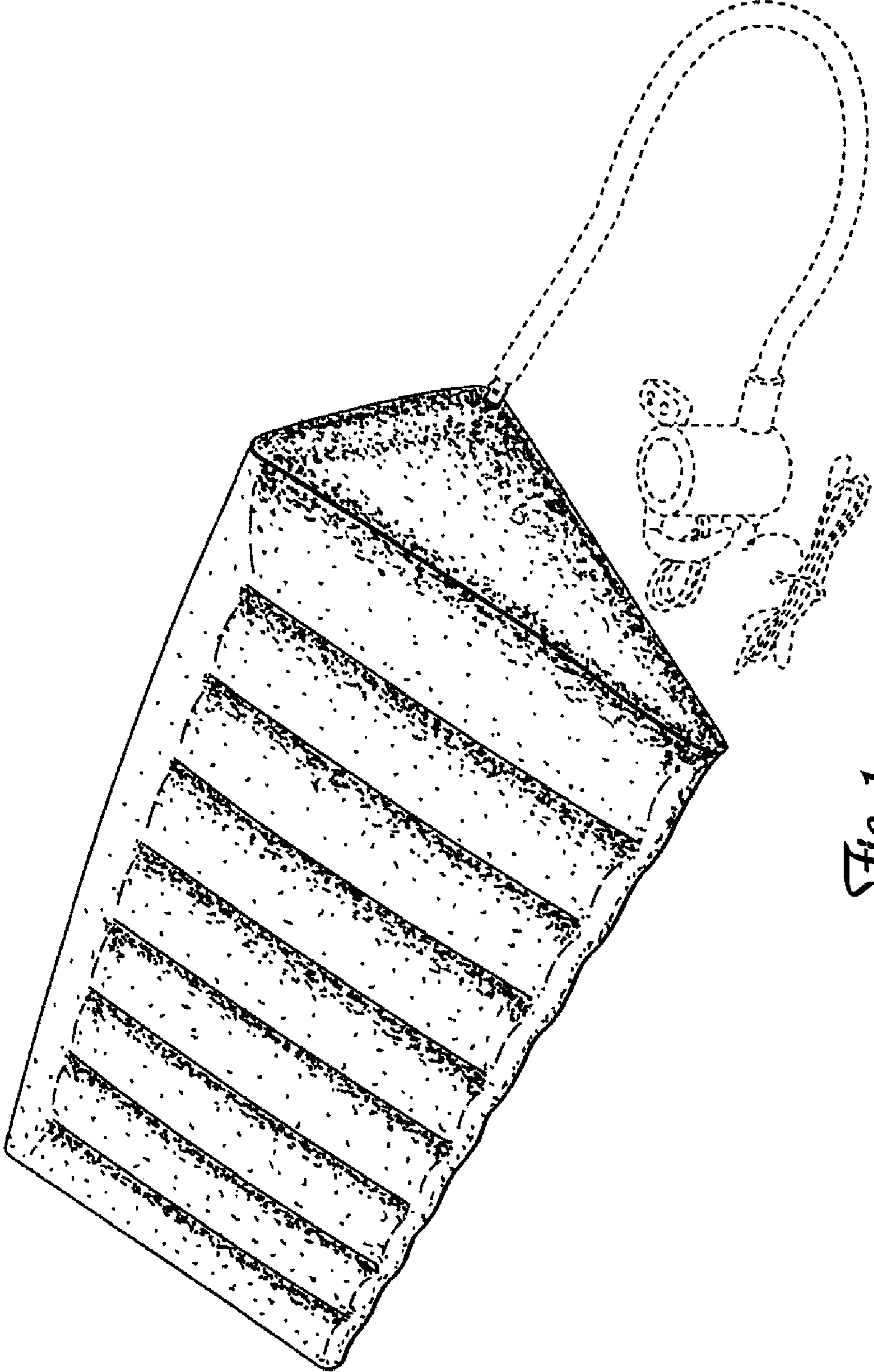


Fig. 1

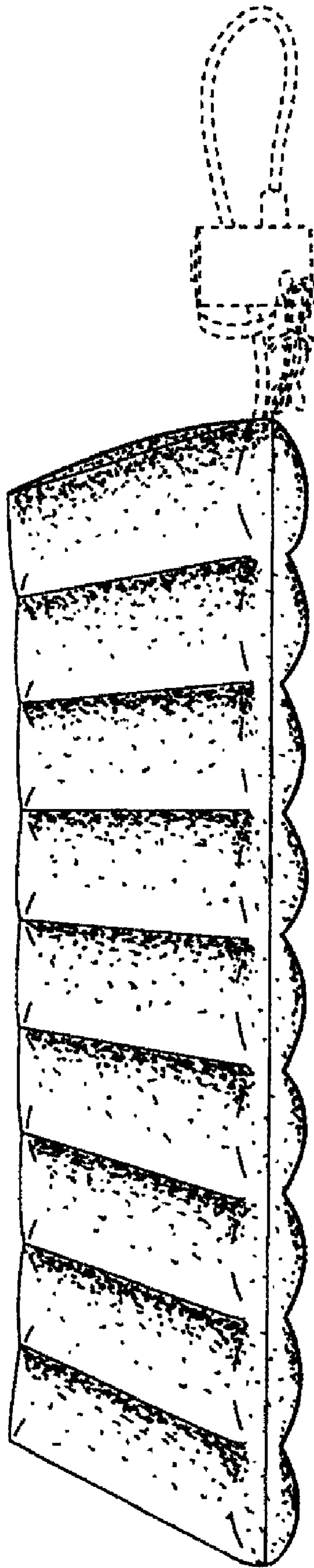


Fig. 2

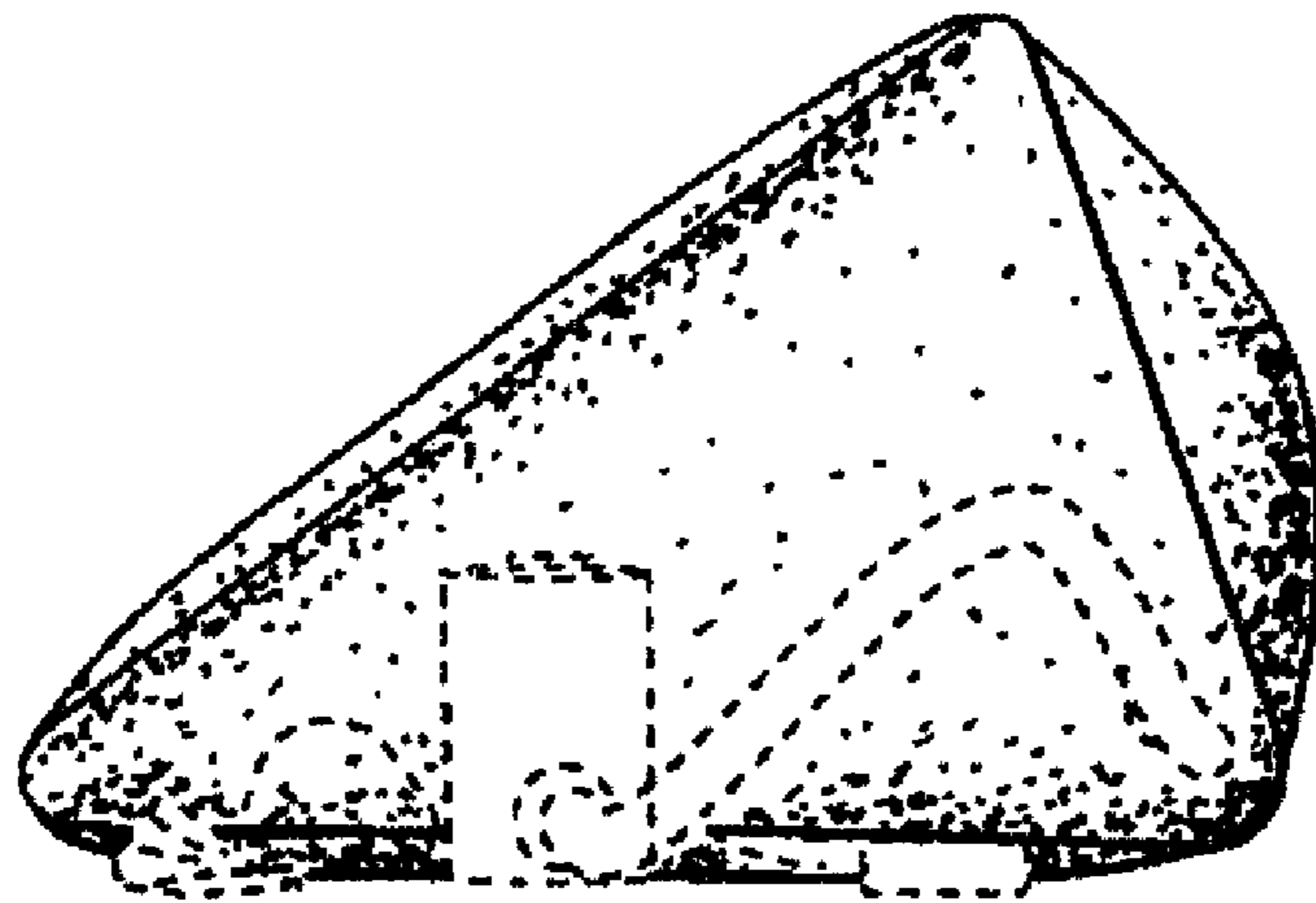


Fig. 3

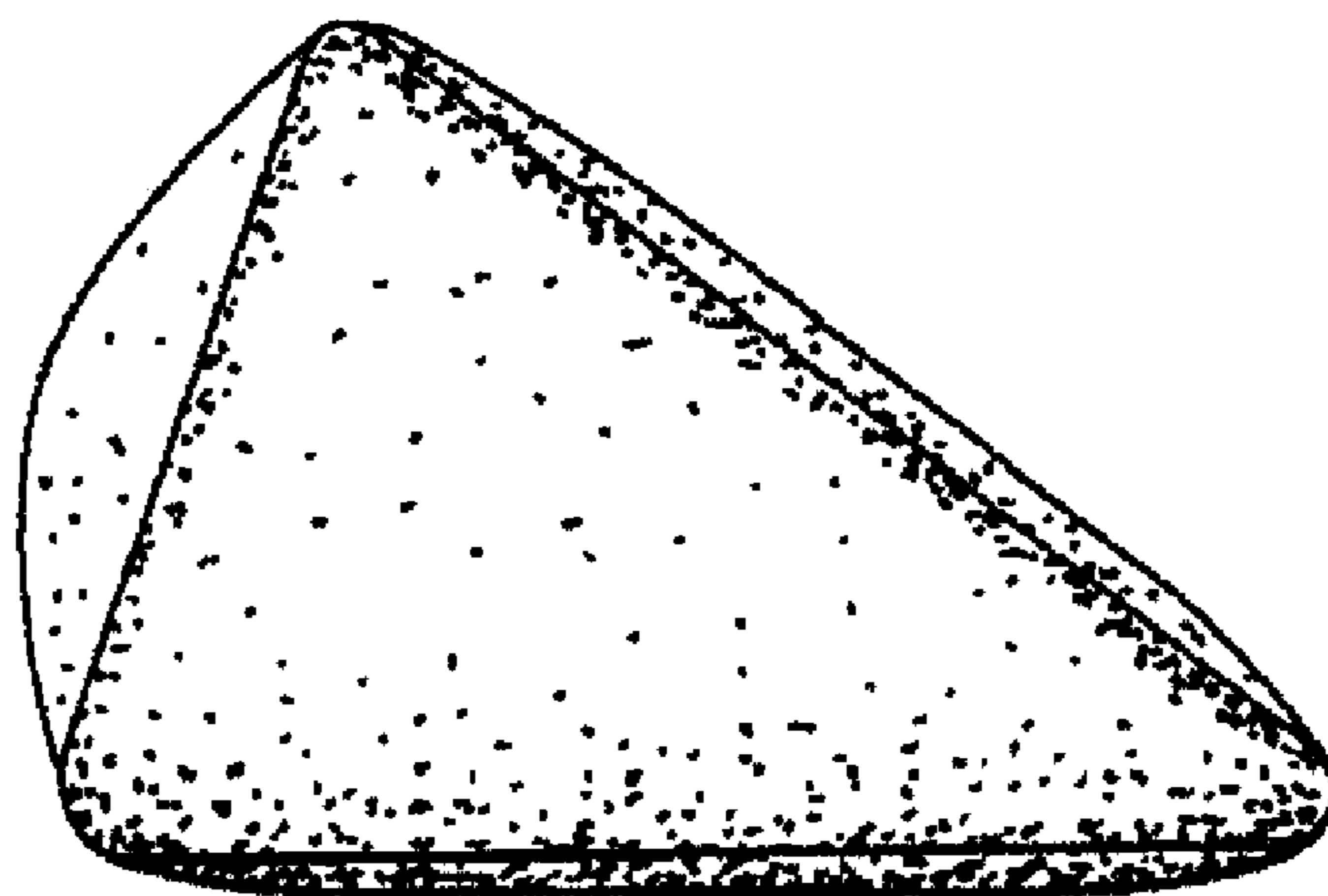


Fig. 4

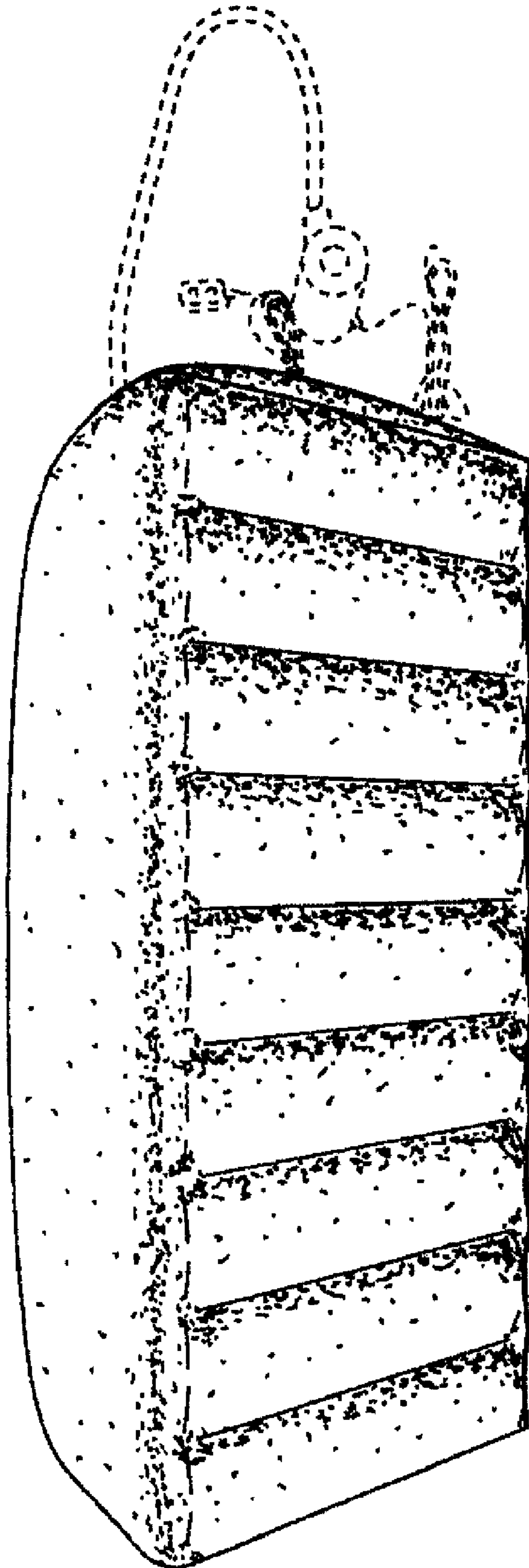


Fig. 5

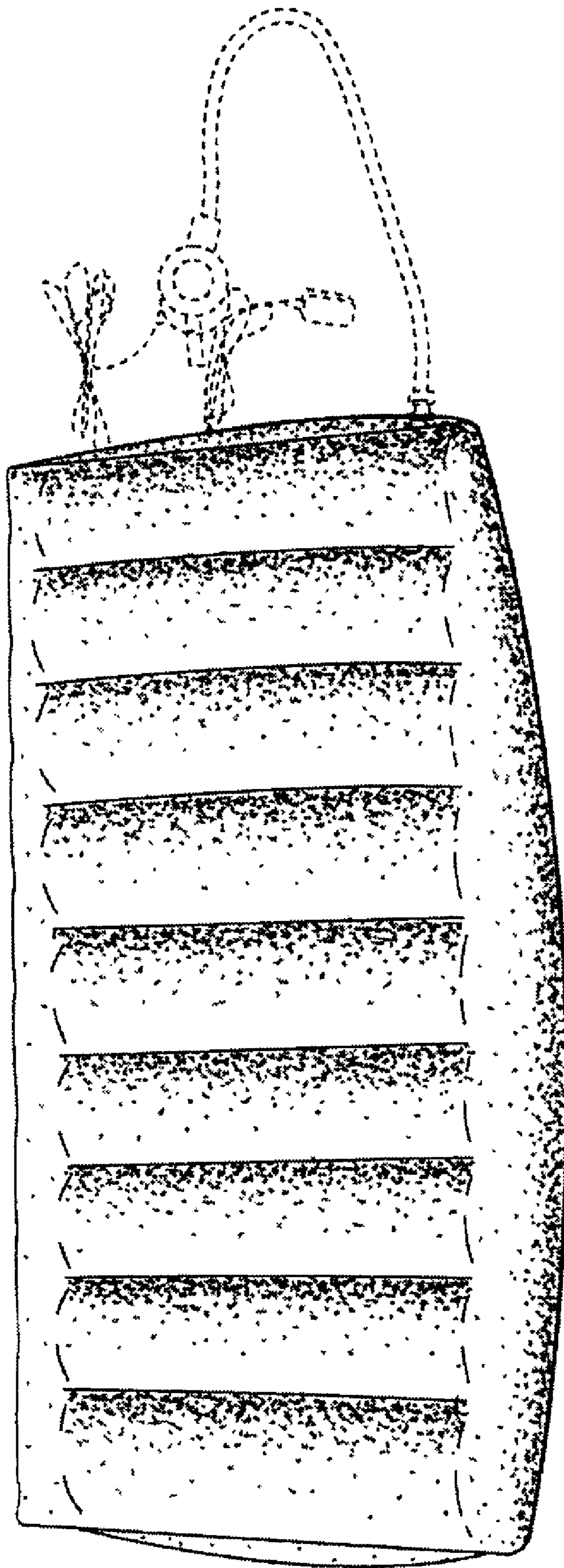


Fig. 6



Fig. 7