



US00D587501S

(12) **United States Design Patent**
Lenterman

(10) **Patent No.:** **US D587,501 S**
(45) **Date of Patent:** **** Mar. 3, 2009**

(54) **ARMREST SUPPORT FOR A CHAIR**

(75) Inventor: **Henri B. Lenterman**, Chino Hills, CA (US)

(73) Assignee: **Intro-Tech Automotive, Inc.**, Chino, CA (US)

(**) Term: **14 Years**

(21) Appl. No.: **29/305,603**

(22) Filed: **Mar. 25, 2008**

(51) **LOC (9) Cl.** **06-01**

(52) **U.S. Cl.** **D6/501**

(58) **Field of Classification Search** D6/500-502,
D6/364-367, 379, 491; 297/411.2, 411.27,
297/411.36, 411.28, 411.4, 463.1, 301.4,
297/301.5; 248/118, 118.3, 188, 188.7

See application file for complete search history.

(56) **References Cited**

U.S. PATENT DOCUMENTS

D326,380 S *	5/1992	Edwards	D6/501
D371,474 S *	7/1996	Koopman	D6/501
5,964,312 A *	10/1999	Maldonado	180/227
D494,791 S *	8/2004	True	D6/501
D520,269 S *	5/2006	Searl	D6/480
7,129,453 B2 *	10/2006	Dalton	219/759
7,159,943 B2 *	1/2007	Costaglia	297/323
D539,061 S *	3/2007	Mazzera	D6/501
7,261,171 B2 *	8/2007	de la Torre et al.	180/65.3

* cited by examiner

Primary Examiner—Caron Veynar

Assistant Examiner—Abraham Bahta

(74) *Attorney, Agent, or Firm*—Intellectual Property Law Offices of Joel Voelzke, APC

(57) **CLAIM**

The ornamental design for an armrest support for a chair, as shown and described.

DESCRIPTION

This application is related to design patent application Ser. Nos. 29/305,602; 29/305,605; 29/305,606; 29/305,607; 29/305,610; 29/305,612; and 29/305,615, which are filed concurrently herewith.

FIG. 1 is a perspective view showing the front, left, and top of two armrest supports for a chair showing my new design, the broken lines of a chair being for illustrative purposes only and forming no part of my design;

FIG. 2 is a top plan view of one such armrest support for a chair;

FIG. 3 is a left side elevational view thereof;

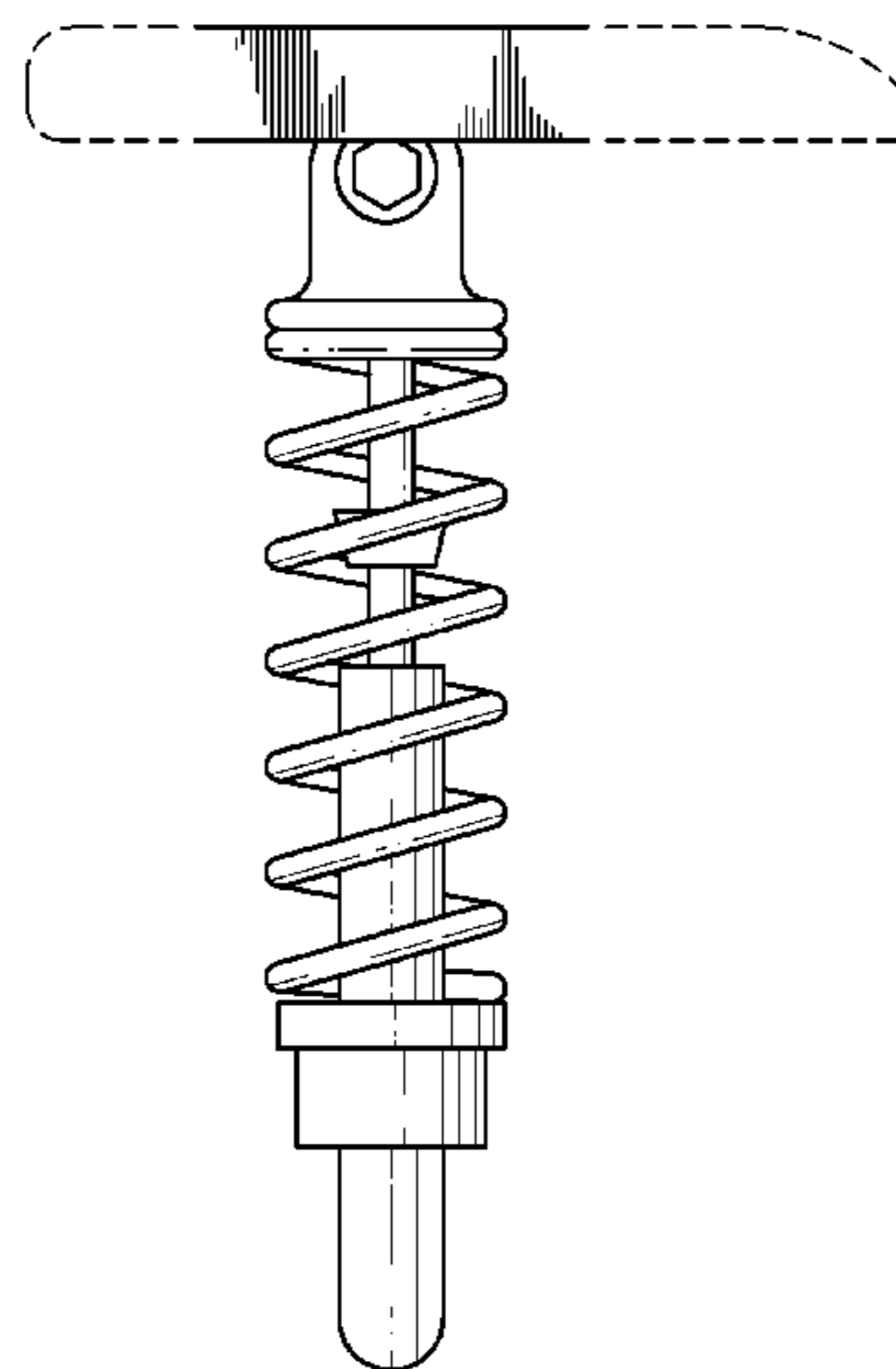
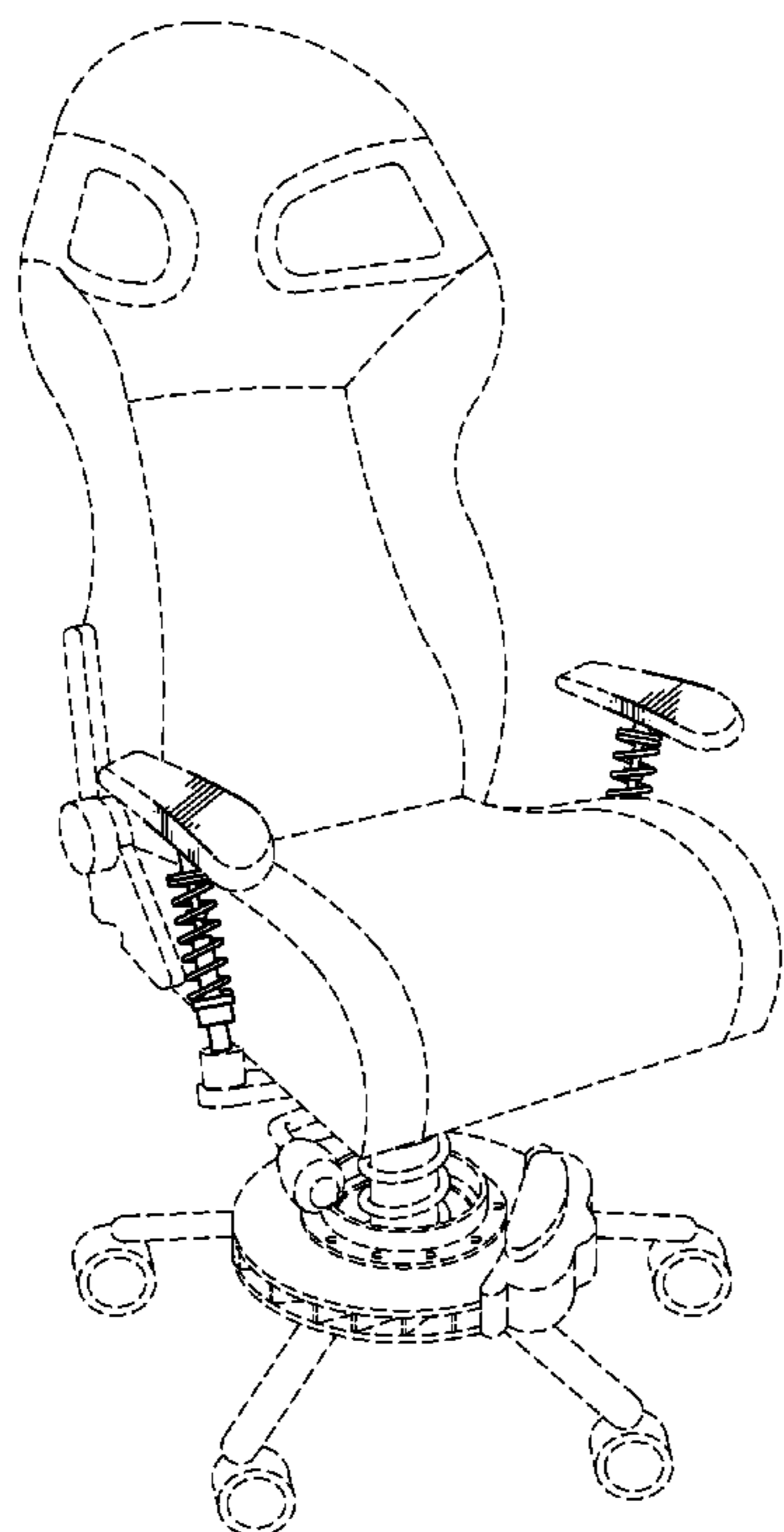
FIG. 4 is a front elevational view thereof; and,

FIG. 5 is a bottom plan view thereof.

The right side and rear elevational views of the armrest support for a chair are similar to the left side and front, respectively, given that the helical coil shown is viewed from opposite directions.

The characteristic feature of the design resides in the application of a part having the appearance of an automotive shock absorber to the armrest support for a chair.

1 Claim, 2 Drawing Sheets



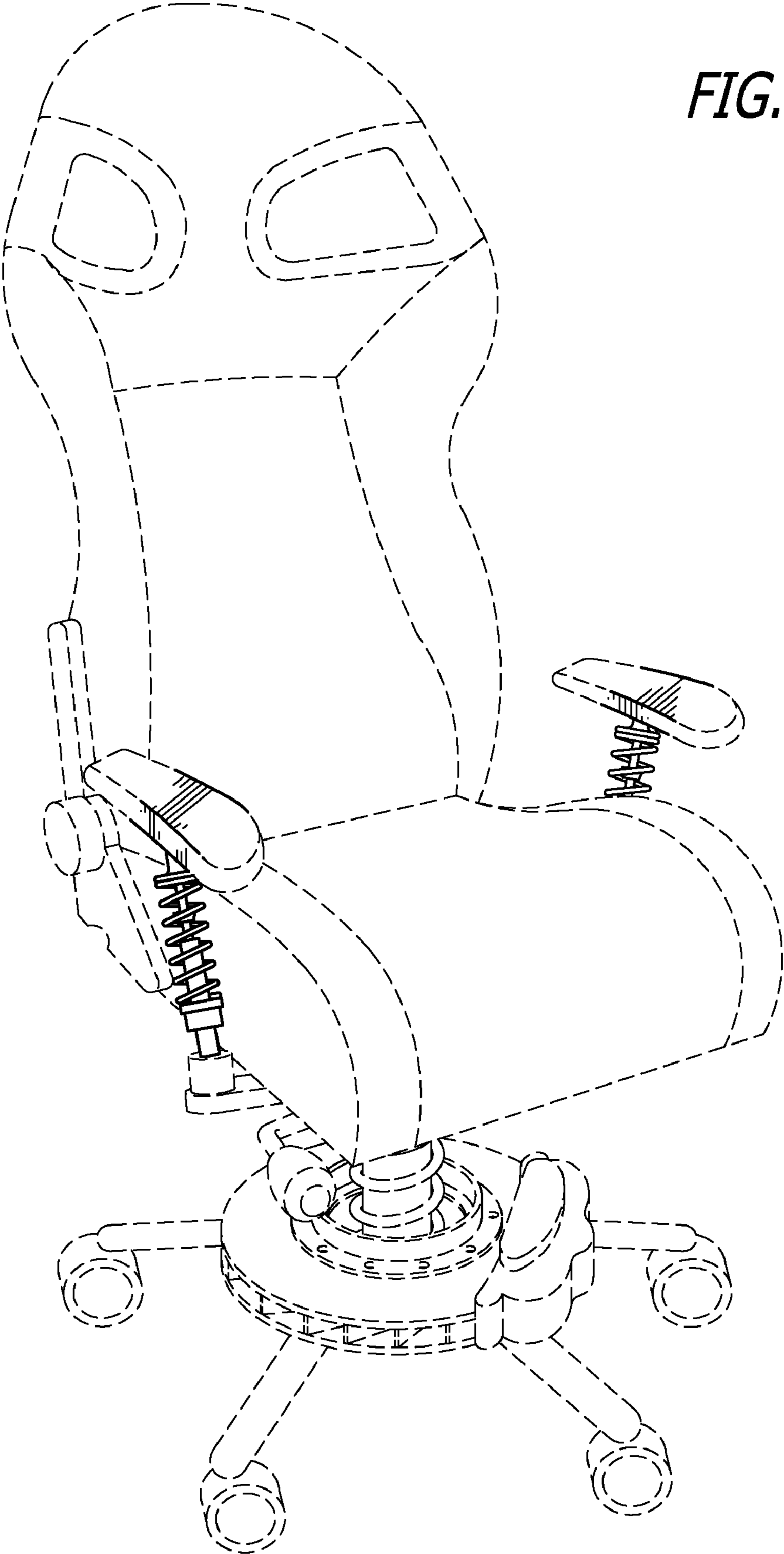


FIG. 1

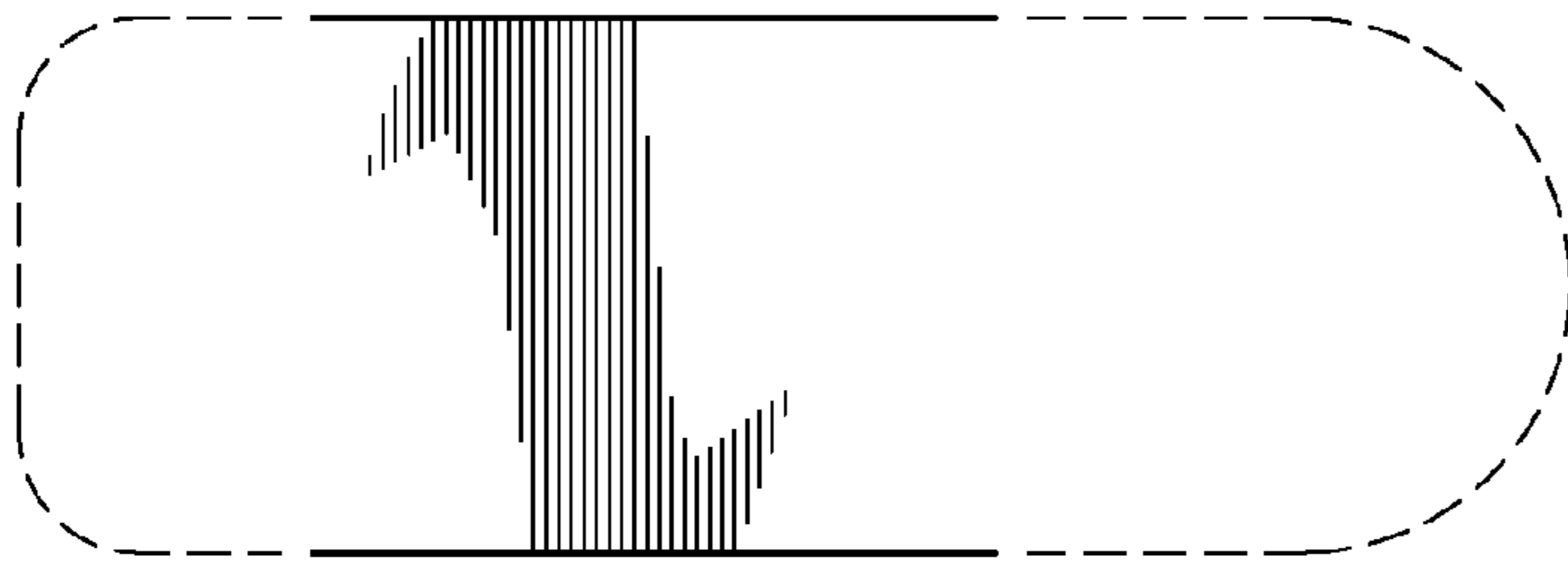


FIG. 2

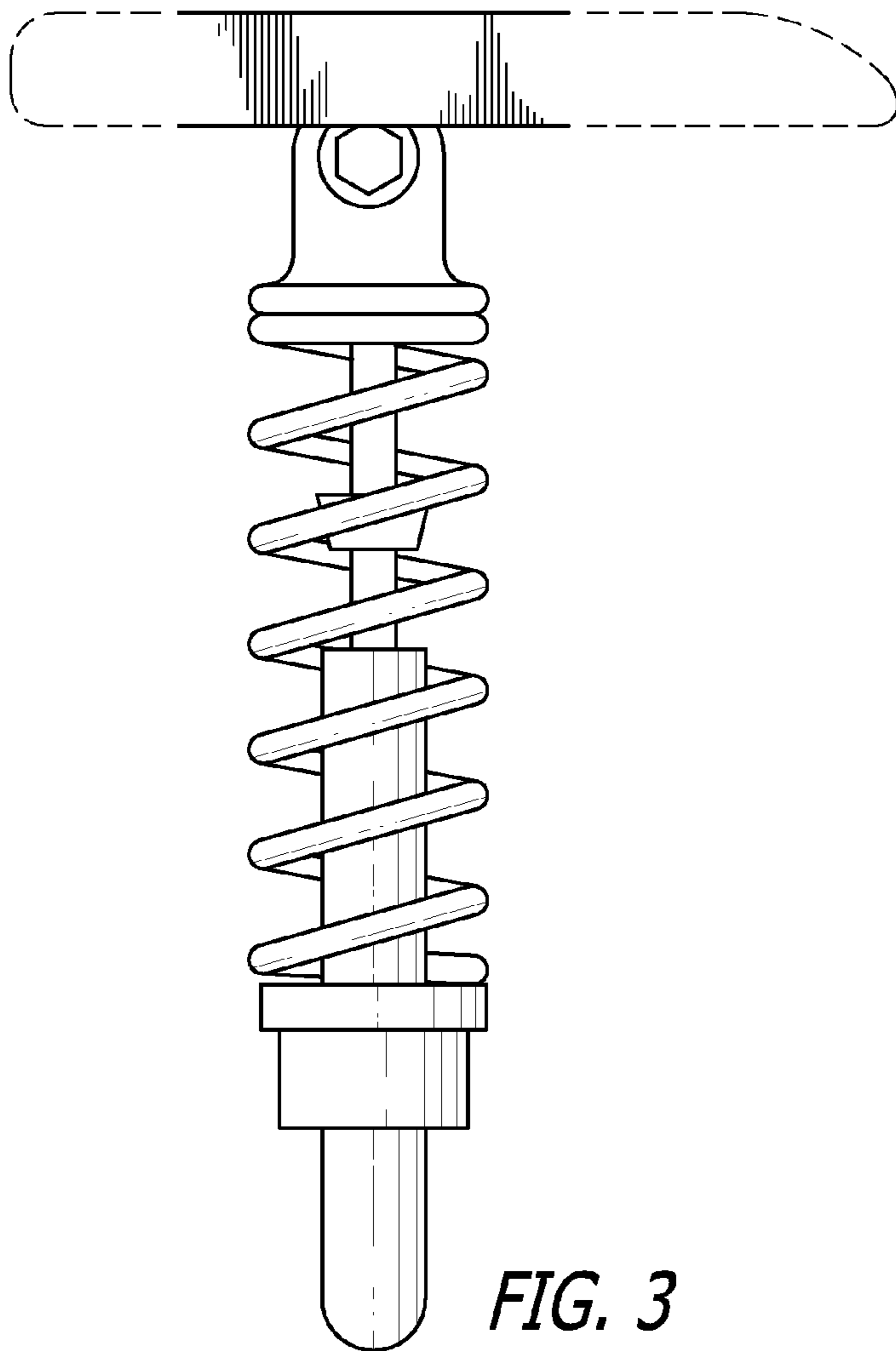


FIG. 3

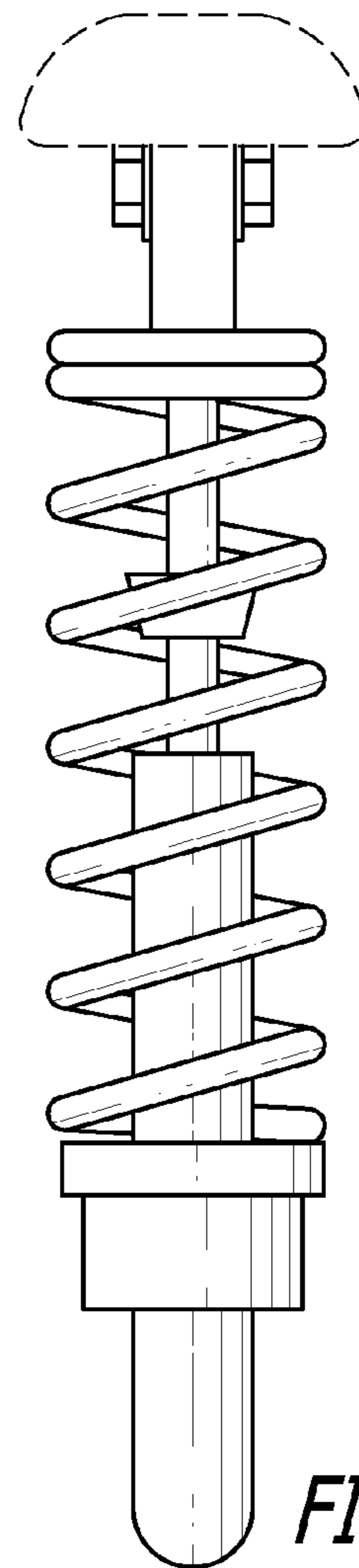


FIG. 4

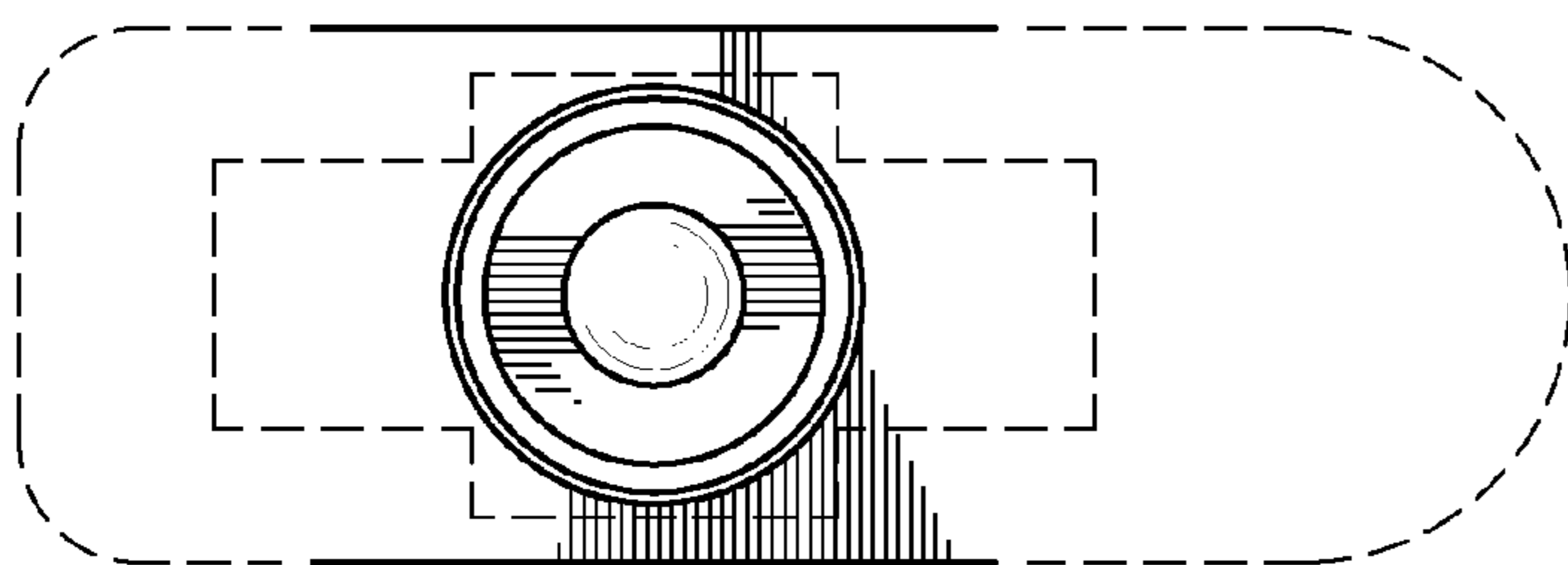


FIG. 5