



US00D587500S

(12) **United States Design Patent**  
**Zhang**

(10) **Patent No.:** **US D587,500 S**  
(45) **Date of Patent:** **\*\* Mar. 3, 2009**

(54) **CHAIR LEG ASSEMBLY WITH CLAW DESIGN**

D544,733 S \* 6/2007 Mazzera ..... D6/498

(75) Inventor: **Weiqiang Zhang**, FoShan (CN)

\* cited by examiner

(73) Assignee: **IGO Furniture (Foshan) Ltd.**,  
Guangdong (CN)

*Primary Examiner*—Mimosa De  
(74) *Attorney, Agent, or Firm*—Ladas & Parry LLP

(\*\*) Term: **14 Years**

(57) **CLAIM**

(21) Appl. No.: **29/320,473**

I claim the ornamental design for a chair leg assembly with claw design, as shown and described.

(22) Filed: **Jun. 27, 2008**

**DESCRIPTION**

(30) **Foreign Application Priority Data**

Jan. 25, 2008 (CN) ..... 2008 3 0040779

(51) **LOC (9) Cl.** ..... **06-01**

(52) **U.S. Cl.** ..... **D6/498**

(58) **Field of Classification Search** ..... D6/334-336,  
D6/364, 365, 366, 367, 498, 500-502; 248/188.7;  
297/344.18, 358, 411.2, 411.28, 463.1

See application file for complete search history.

FIG. 1 is a perspective view of a chair leg assembly with claw design showing my new design;

FIG. 2 is a top plan view thereof;

FIG. 3 is a bottom plan view thereof;

FIG. 4 is a left elevational view thereof;

FIG. 5 is a right elevational view thereof;

FIG. 6 is a rear elevational view thereof;

FIG. 7 is a front elevational view thereof; and,

FIG. 8 is a perspective view of the chair leg assembly with claw design shown in use with a chair and wheels.

The broken lines are for illustrative purposes only and form no part of the claimed design.

(56) **References Cited**

**U.S. PATENT DOCUMENTS**

D276,766 S \* 12/1984 Truette ..... D6/366

D407,583 S \* 4/1999 Perl ..... D6/498

D447,895 S \* 9/2001 Chen ..... D6/498

**1 Claim, 8 Drawing Sheets**

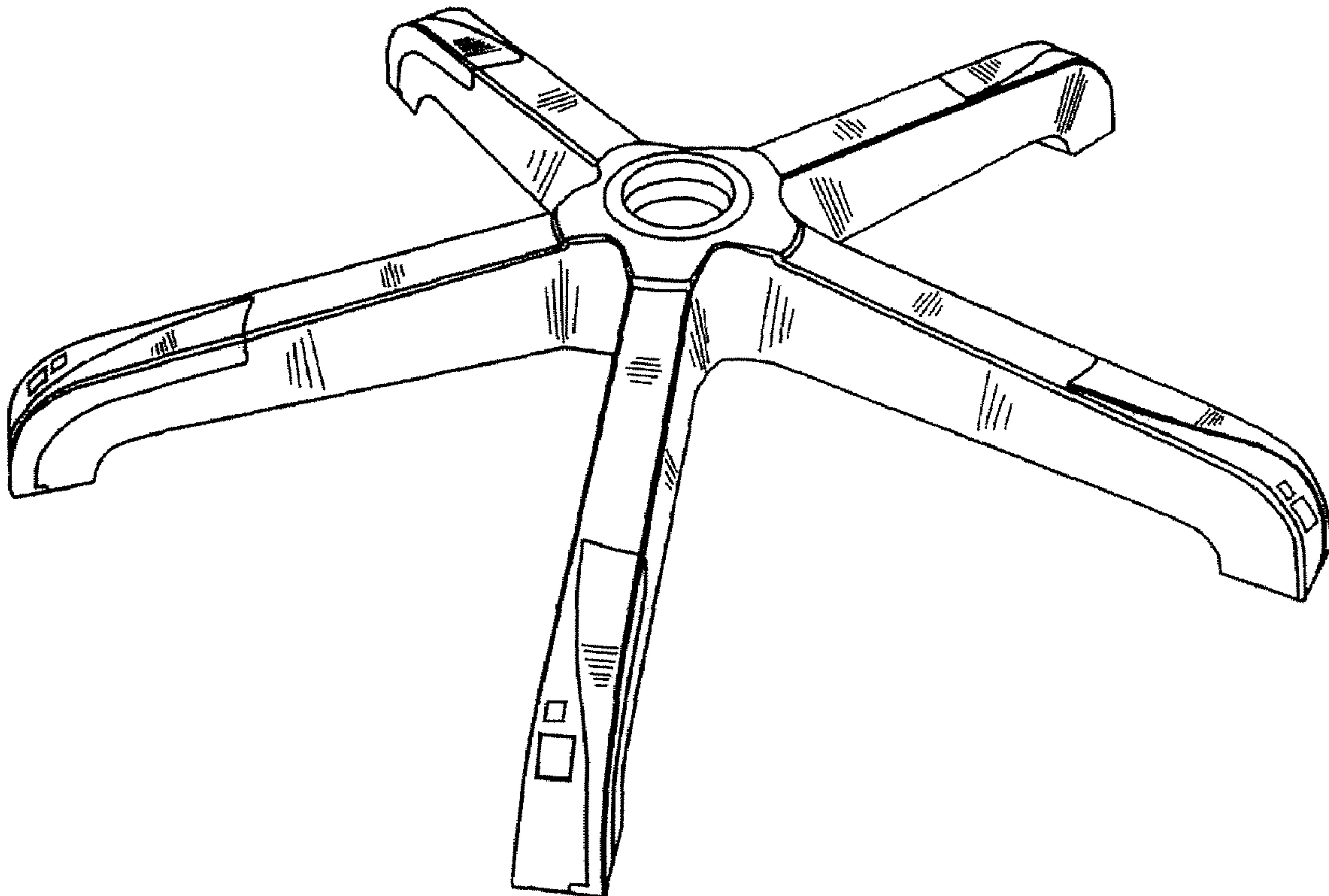
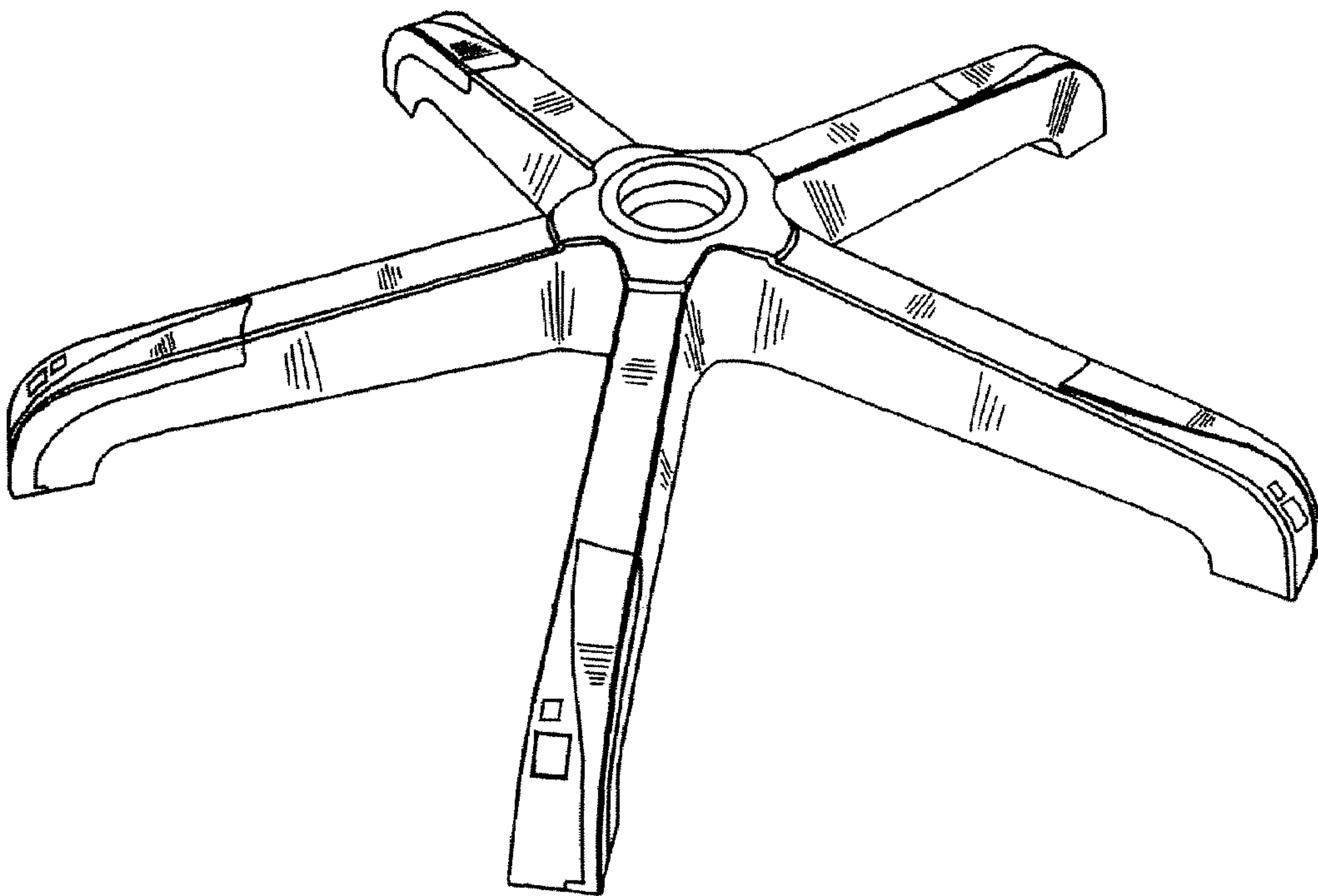


FIG. 1



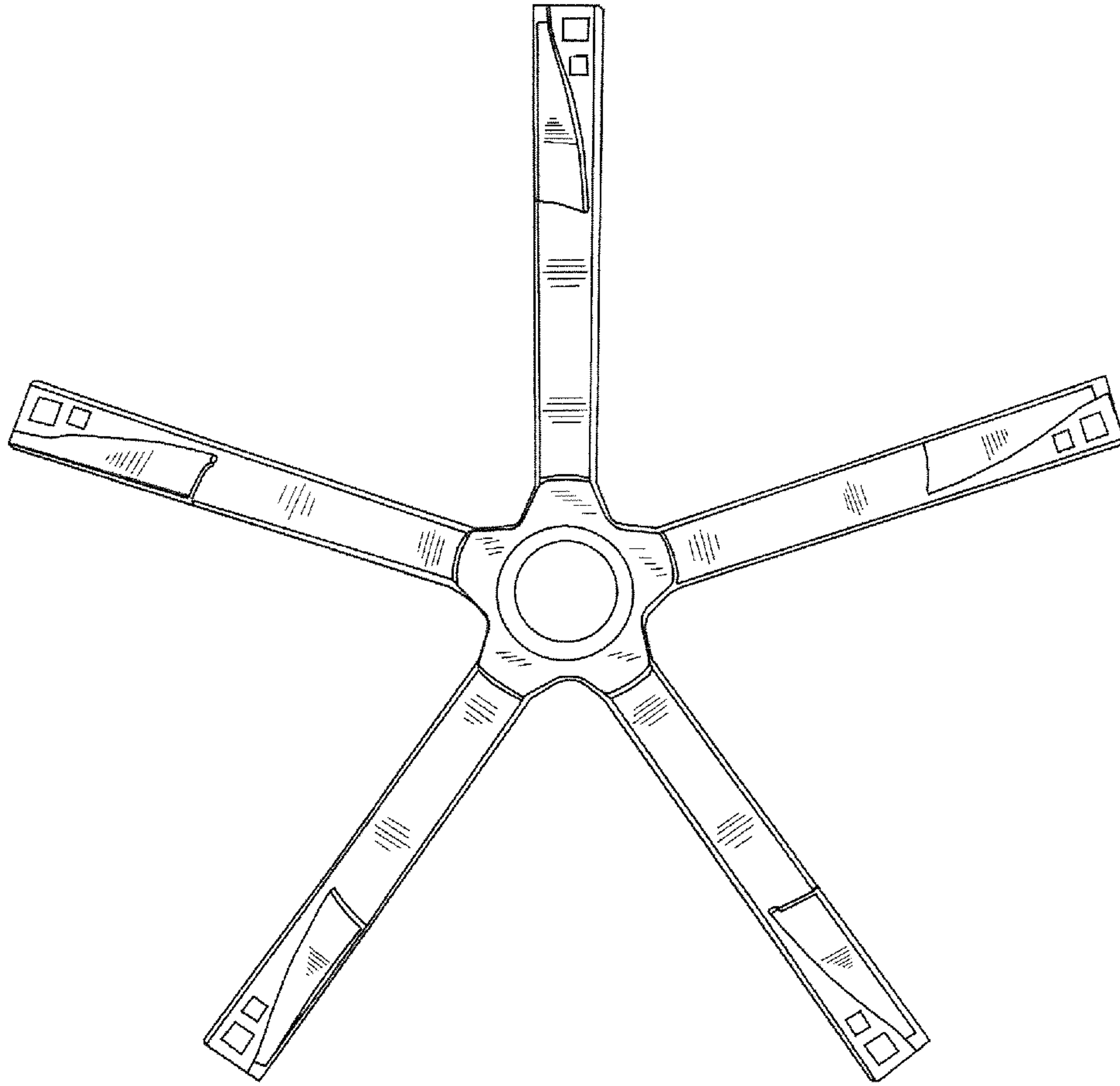


FIG. 2

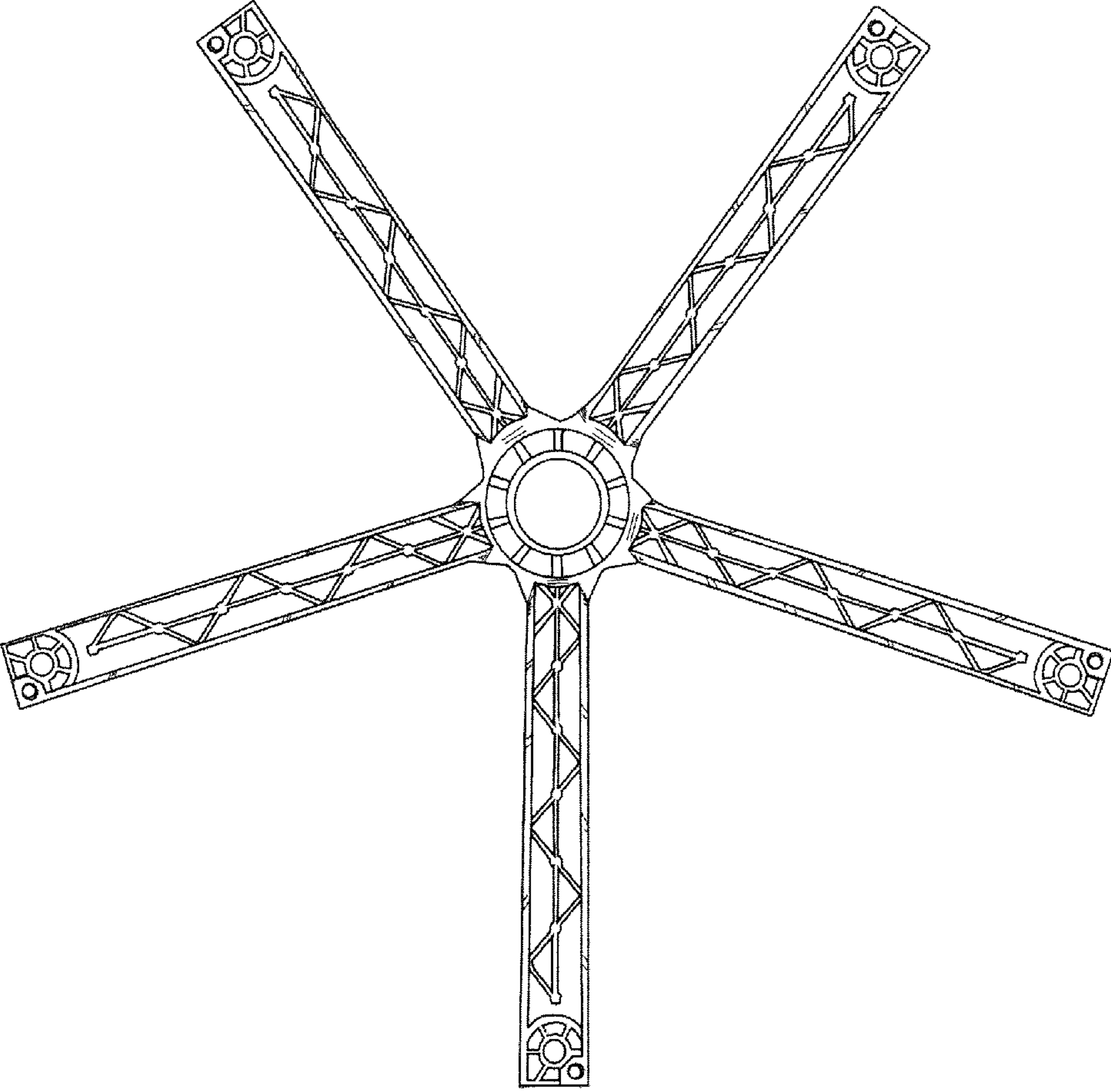


FIG. 3

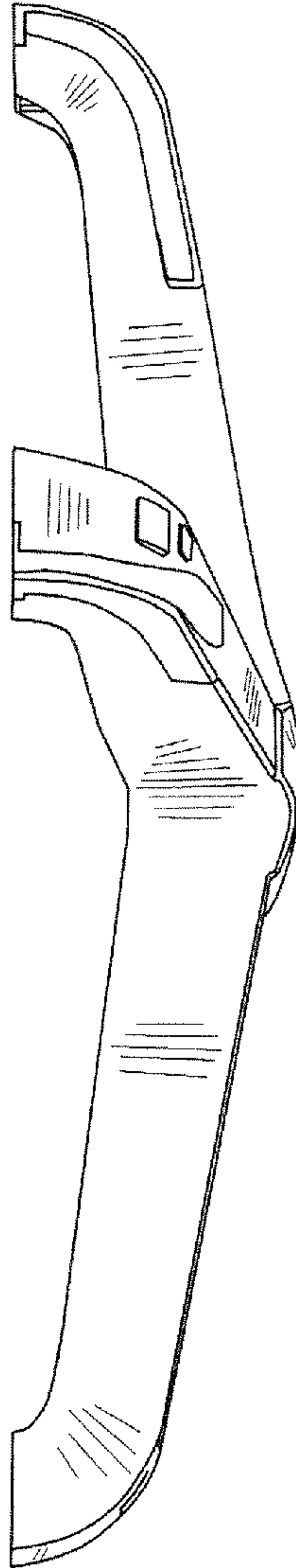


FIG. 4

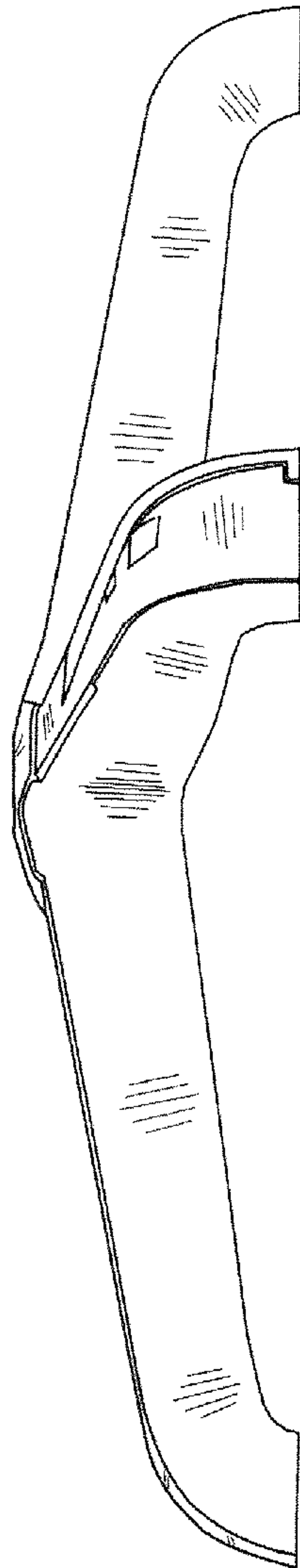


FIG. 5



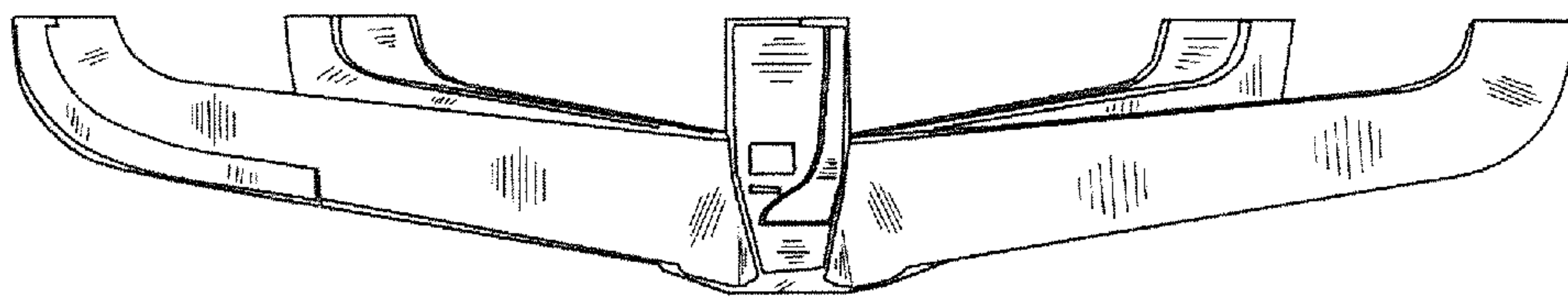


FIG.6

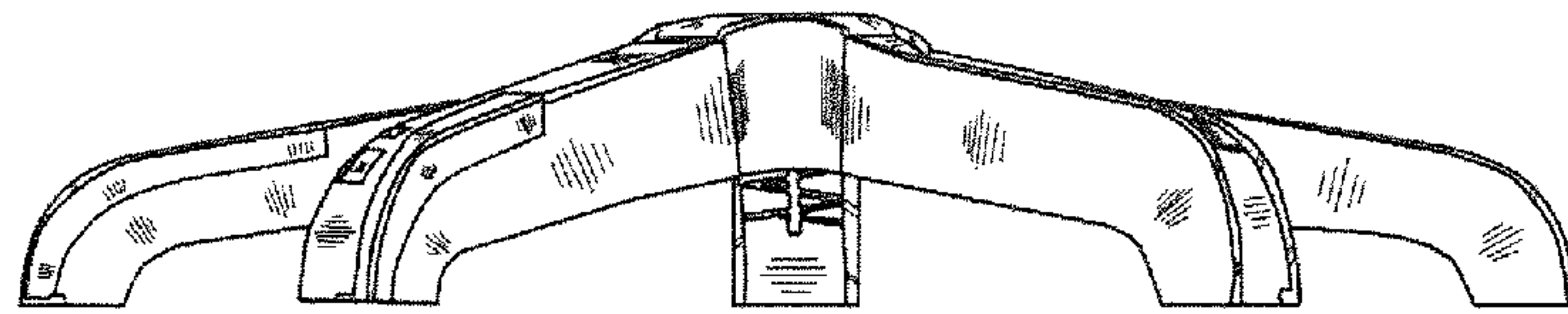


FIG. 7



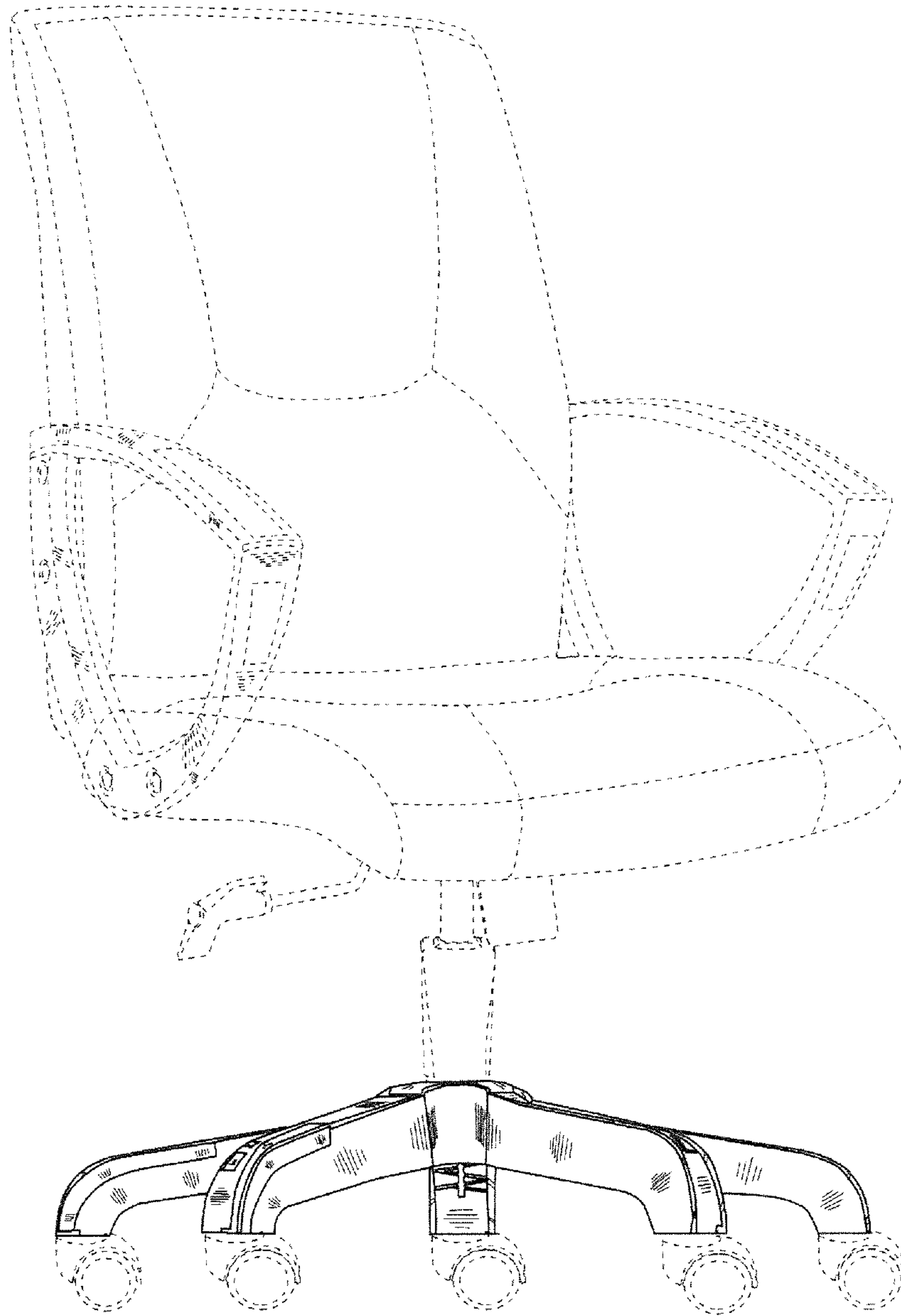


FIG. 8