



US00D587499S

(12) **United States Design Patent**
Bouissiere et al.

(10) **Patent No.:** **US D587,499 S**
(45) **Date of Patent:** **** Mar. 3, 2009**

(54) **CURVED LEG BASE**

(75) Inventors: **Michael F. Bouissiere**, Yorba Linda, CA (US); **Angel Contreras**, La Habra, CA (US)

(73) Assignee: **Premier Mounts**, Anaheim, CA (US)

(**) Term: **14 Years**

(21) Appl. No.: **29/318,421**

(22) Filed: **May 20, 2008**

(51) **LOC (9) Cl.** **06-06**

(52) **U.S. Cl.** **D6/495**

(58) **Field of Classification Search** D6/467,
D6/495, 512, 491, 503, 496, 509, 497-499,
D6/480-489, 475; 108/156, 157.1, 161,
108/50.01, 50.02; 248/188, 188.1, 188.7,
248/188.8

See application file for complete search history.

(56) **References Cited**

U.S. PATENT DOCUMENTS

D168,524 S * 12/1952 Thomas D6/467

D207,954 S * 6/1967 Parker D6/495
D353,287 S * 12/1994 Hemberger D6/495
D391,793 S * 3/1998 Sussman D6/512
D422,812 S * 4/2000 Thompson et al. D6/495
D480,900 S * 10/2003 Tolfsen et al. D6/503

* cited by examiner

Primary Examiner—Caron Veynar

Assistant Examiner—Sydney R Buffalow

(74) *Attorney, Agent, or Firm*—Altera Law Group, LLC

(57) **CLAIM**

The ornamental design for a curved leg base, as shown and described.

DESCRIPTION

FIG. 1 is a perspective view of the curved leg base.

FIG. 2 is a front view thereof.

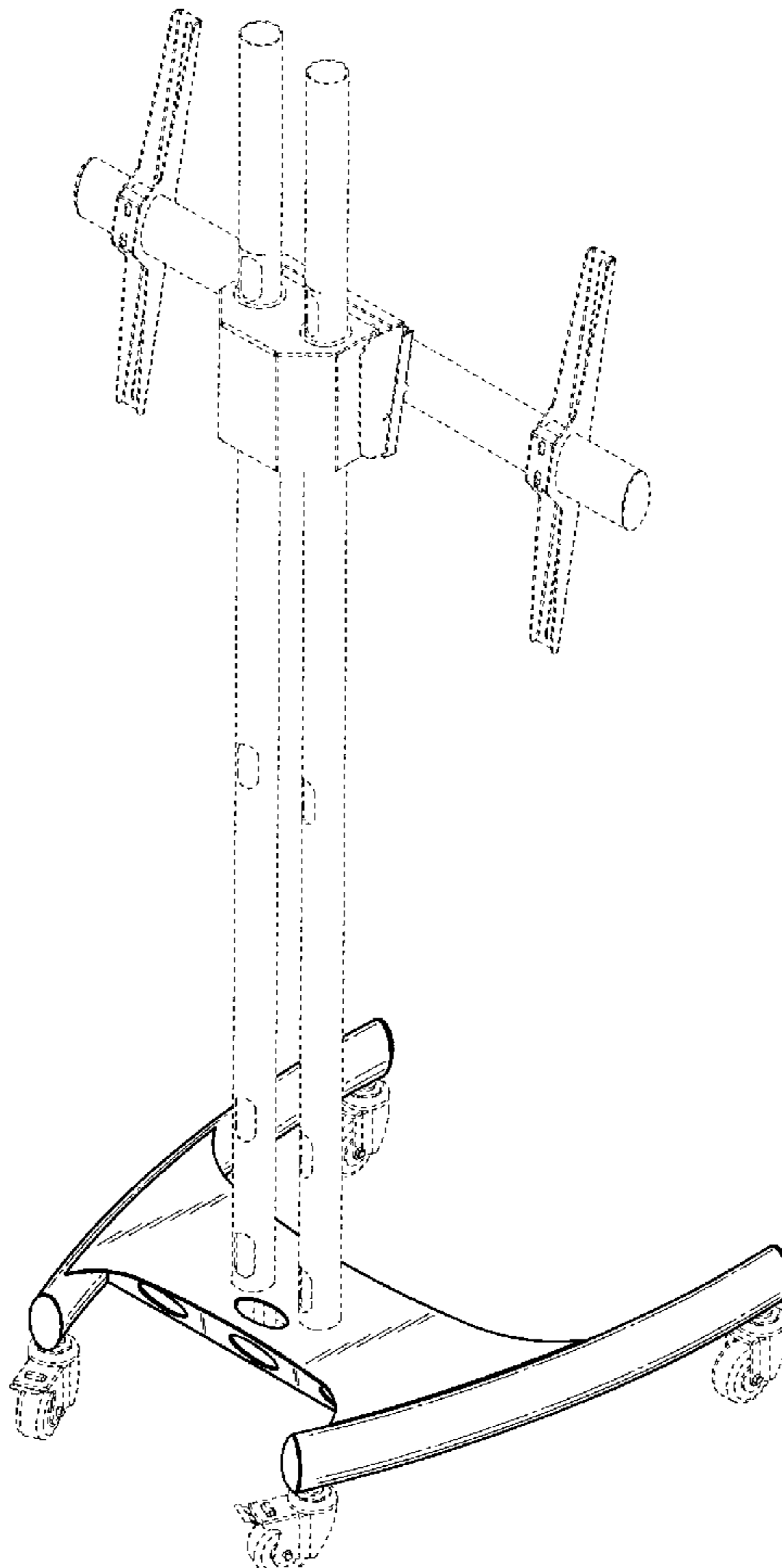
FIG. 3 is a back view thereof.

FIG. 4 is a side view thereof.

FIG. 5 is a top view thereof; and,

FIG. 6 is a bottom view thereof.

1 Claim, 5 Drawing Sheets



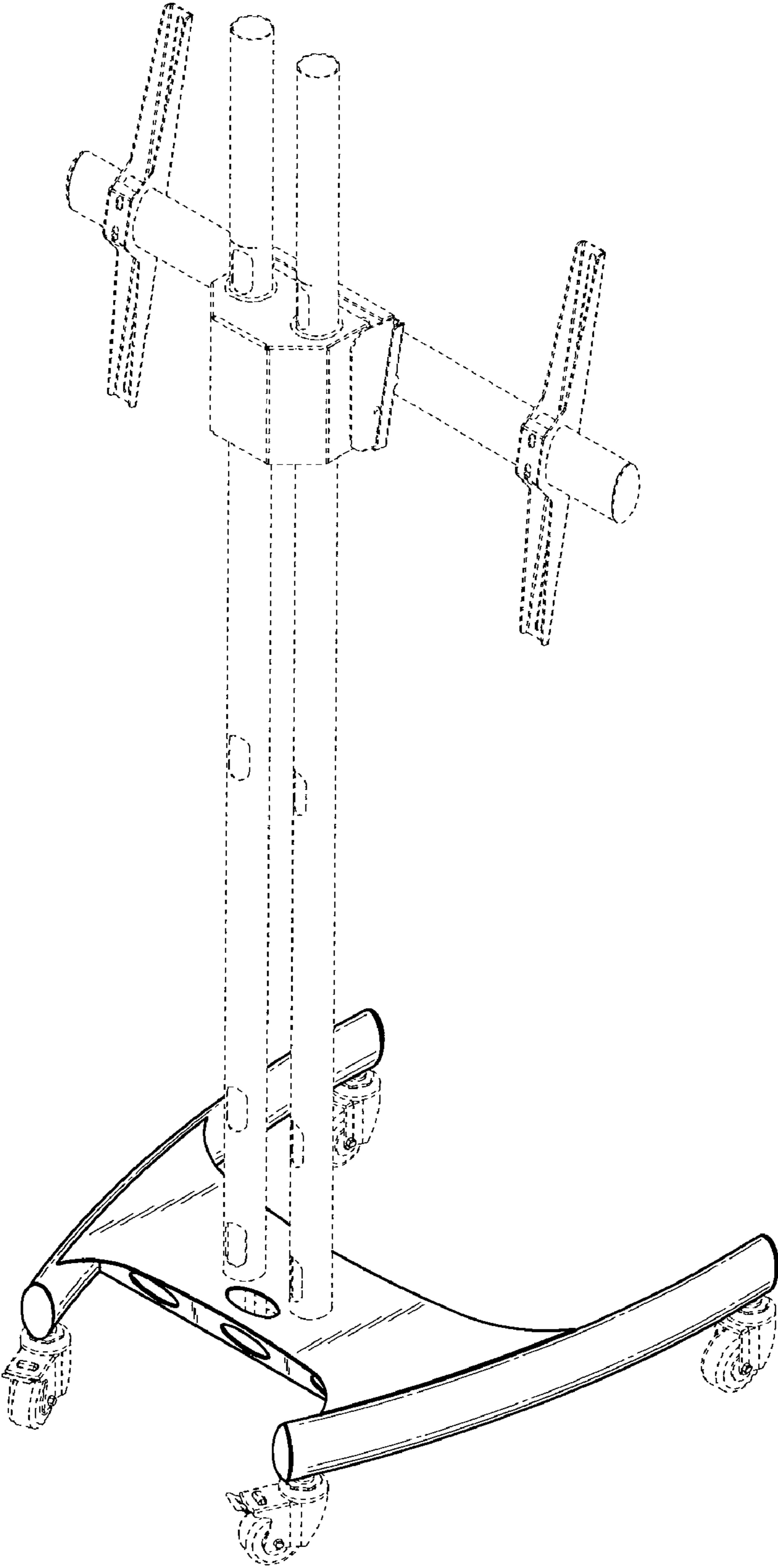


Fig. 1

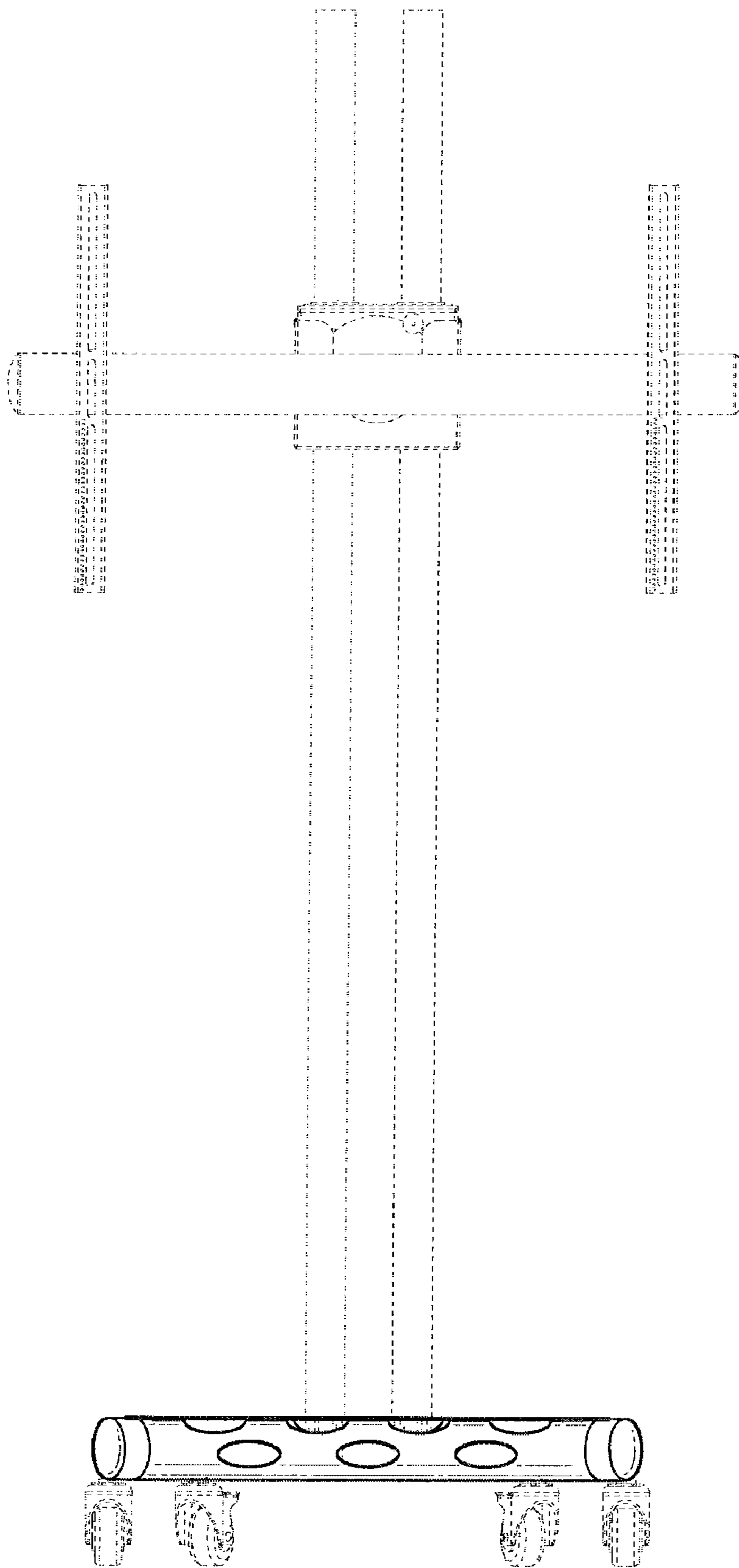


Fig. 2

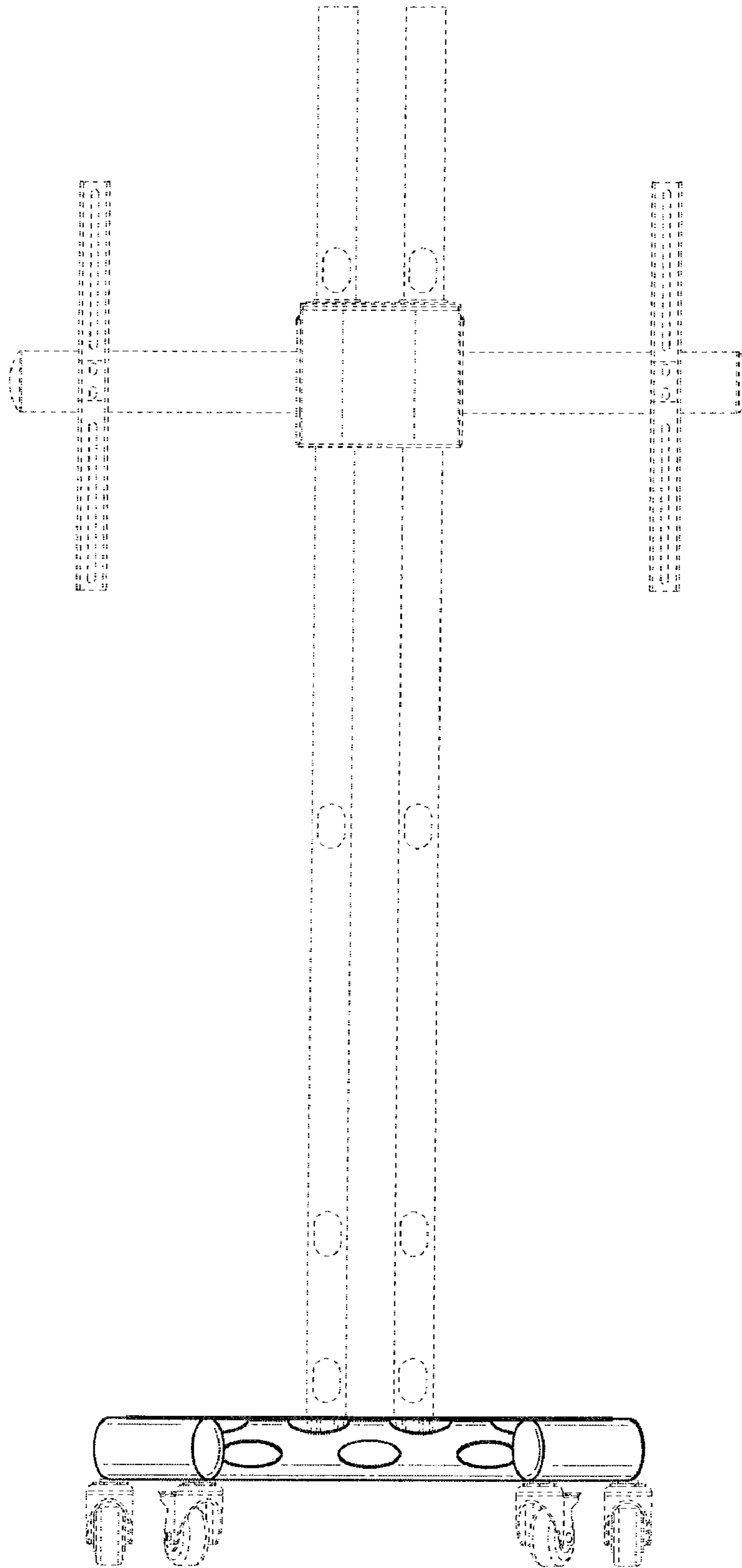


Fig. 3

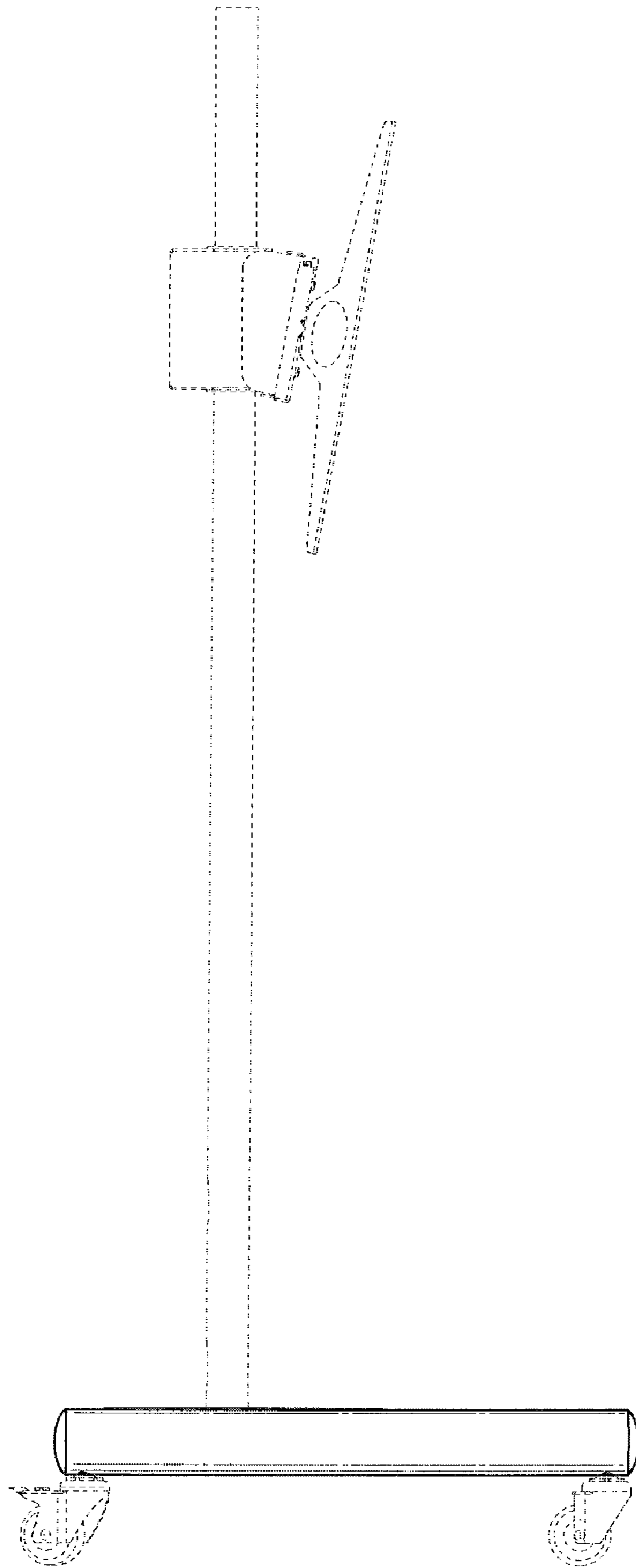


Fig. 4

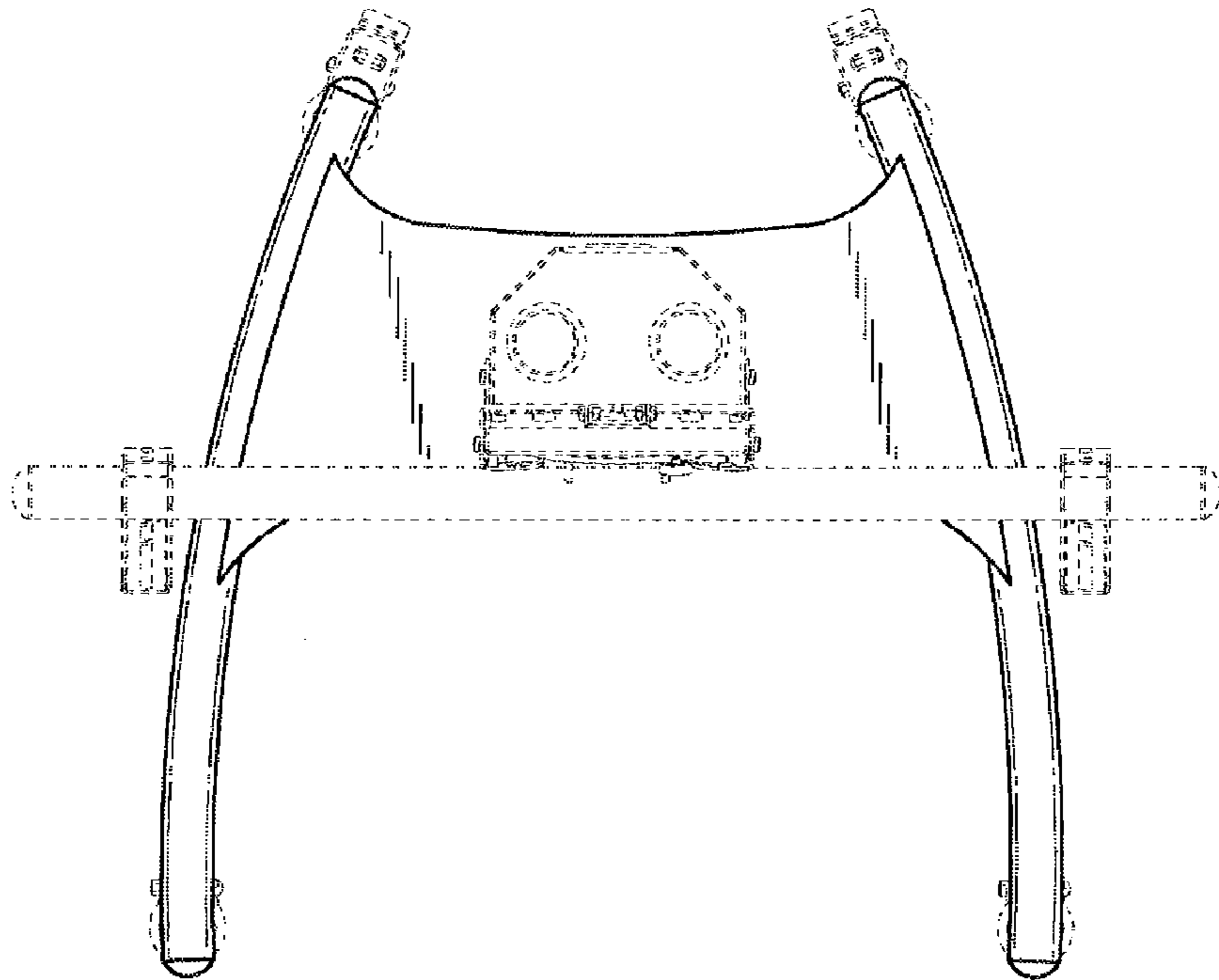


Fig. 5

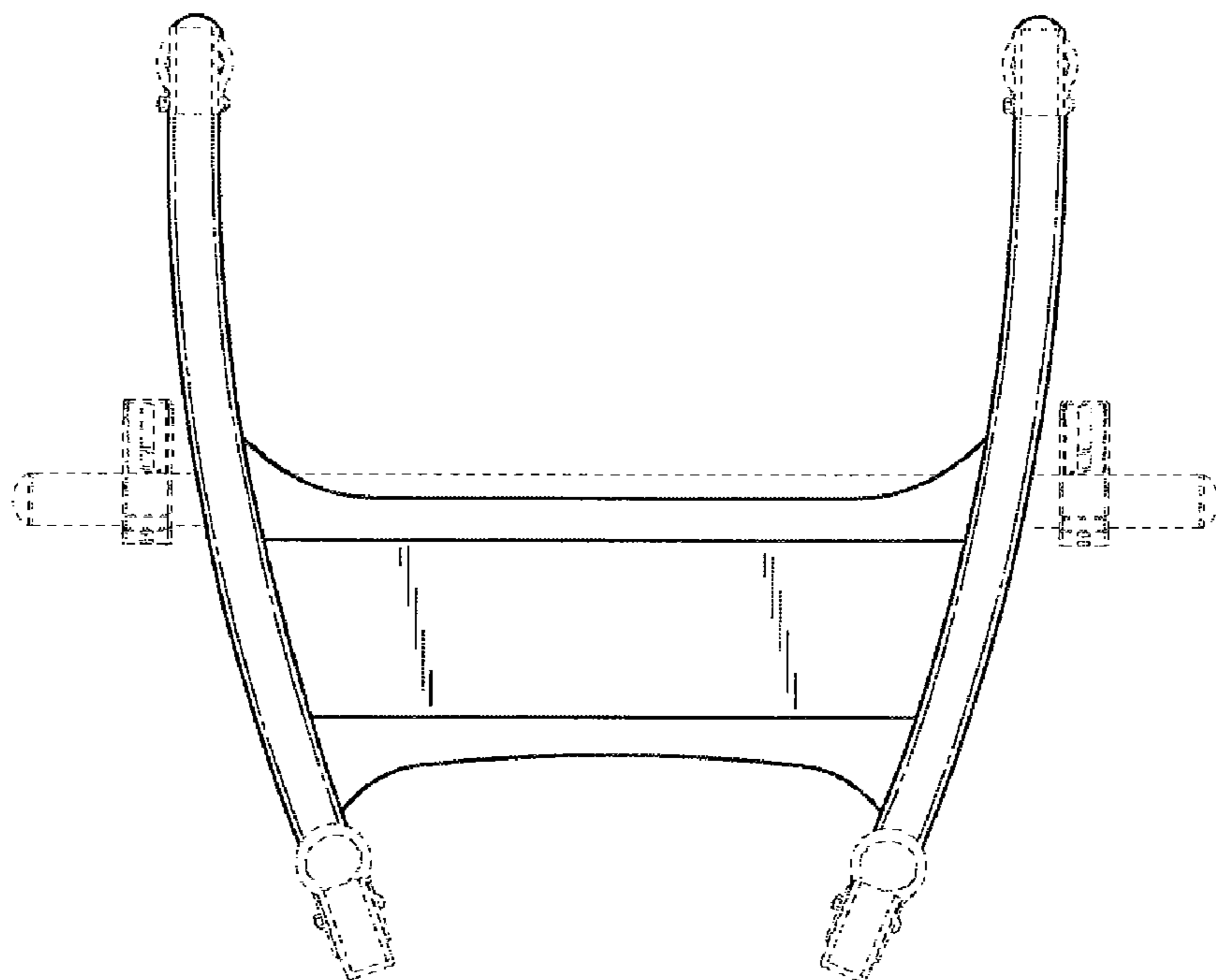


Fig. 6