



US00D587497S

(12) **United States Design Patent**  
**Zambelli**

(10) **Patent No.:** **US D587,497 S**  
(45) **Date of Patent:** **\*\* Mar. 3, 2009**

(54) **AUDIO VIDEO SHELVING UNIT**

(75) Inventor: **Michael P. Zambelli**, Basking Ridge, NJ (US)

(73) Assignee: **Bell'O International Corp.**, Morganville, NJ (US)

(\*\*) Term: **14 Years**

(21) Appl. No.: **29/308,583**

(22) Filed: **Jun. 24, 2008**

(51) **LOC (9) Cl.** ..... **06-04**

(52) **U.S. Cl.** ..... **D6/477**

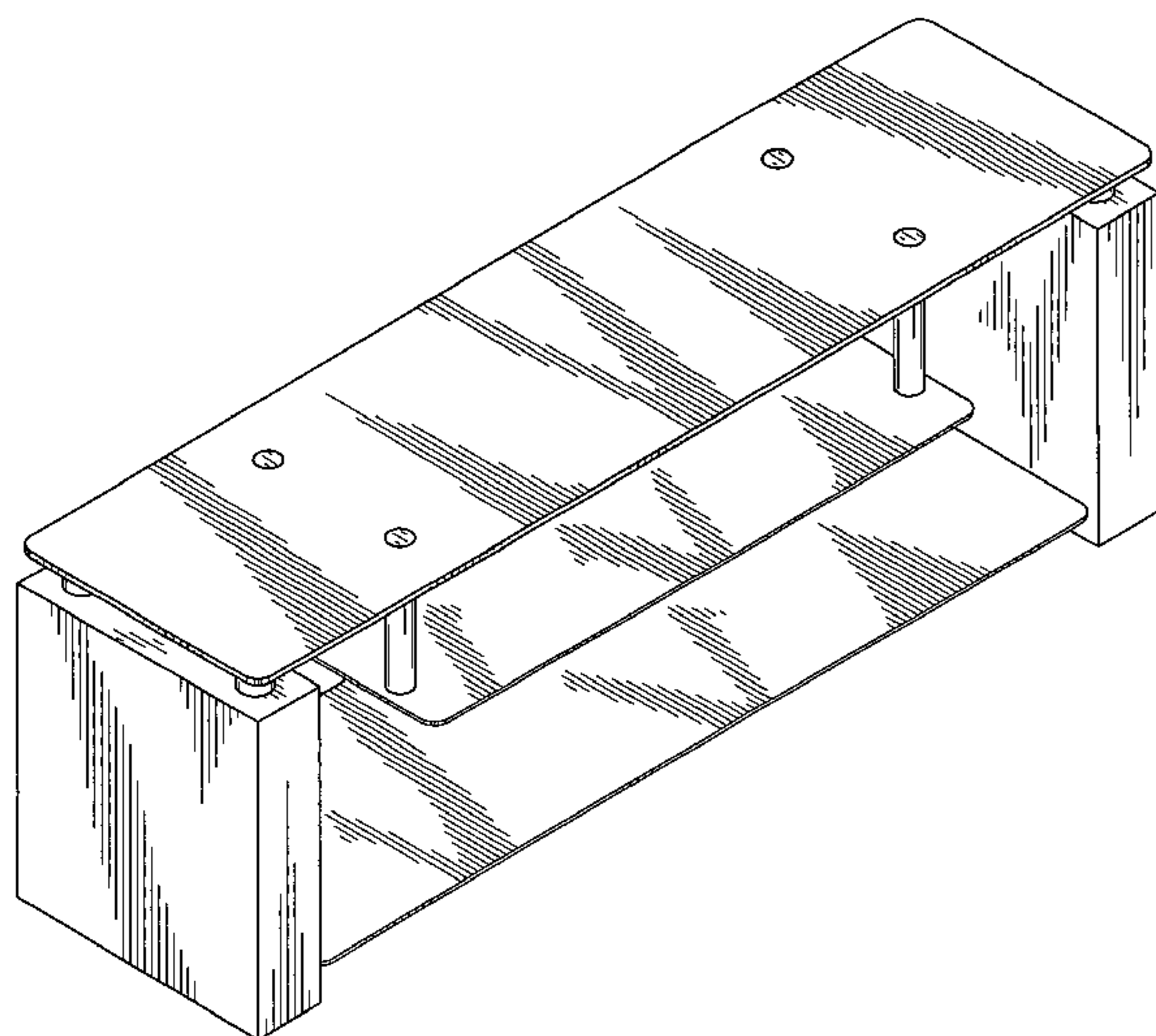
(58) **Field of Classification Search** ..... D6/470, D6/471, 474, 477-479, 460-461, 468; 312/7.2, 312/9.1; 108/59, 91, 92, 96; 211/40, 41.12, 211/42, 49.1, 50, 85.2, 90.04, 187, 190  
See application file for complete search history.

(56) **References Cited**

**U.S. PATENT DOCUMENTS**

- D249,857 S \* 10/1978 Adkinson ..... D6/477
- D454,731 S 3/2002 Niitsu et al.
- D458,053 S 6/2002 Luong
- D472,073 S 3/2003 de Carolis

(Continued)



**OTHER PUBLICATIONS**

Bell'O 2005-2006 Product Catalog.

*Primary Examiner*—Elizabeth A Albert

*Assistant Examiner*—Kelley A Donnelly

(74) *Attorney, Agent, or Firm*—Lerner, David, Littenberg, Krumholz & Mentlik, LLP

(57) **CLAIM**

The ornamental design for an audio video shelving unit, as shown and described.

**DESCRIPTION**

FIG. 1 is a front perspective view of a first embodiment of the audio video shelving unit;

FIG. 2 is a front elevational view thereof;

FIG. 3 is a rear elevational view thereof;

FIG. 4 is a top plan view thereof;

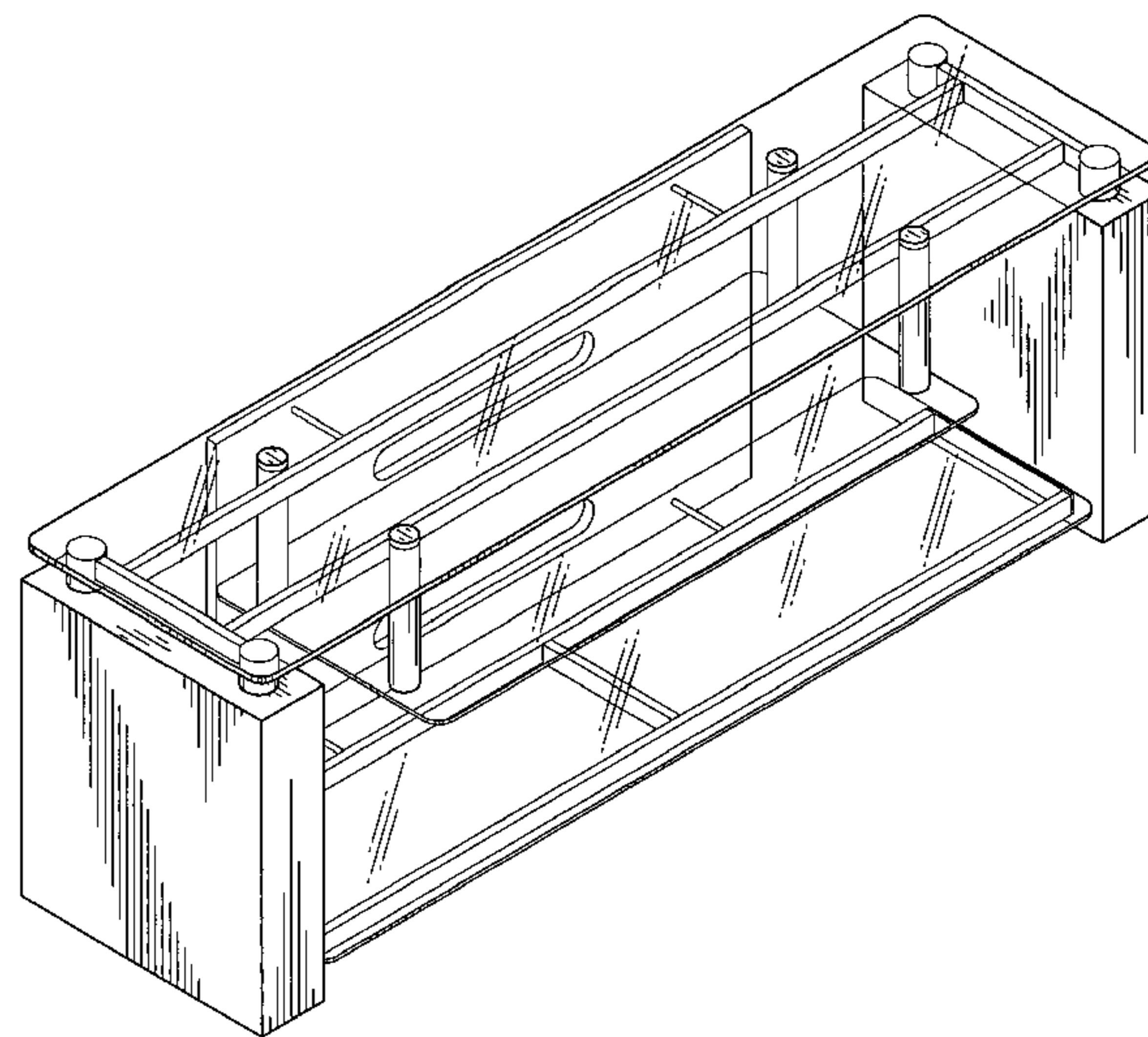
FIG. 5 is a right side view thereof (the left side being a mirror image of the right side view);

FIG. 6 is a front perspective view of a second embodiment of the audio video shelving unit; and,

FIG. 7 is a top plan view of the embodiment shown in FIG. 6 (all other views of the second embodiment having the same appearances as FIGS. 1-5).

The broken lines are for environmental purposes only and form no part of the claimed design.

**1 Claim, 7 Drawing Sheets**



# US D587,497 S

Page 2

## U.S. PATENT DOCUMENTS

D472,074 S	3/2003	de Carolis	
D472,075 S	3/2003	de Carolis	
D489,548 S	5/2004	Malizia et al.	
D491,748 S	6/2004	deCarolis	
D491,749 S	6/2004	Malizia et al.	
D491,750 S	6/2004	Bertoncini et al.	
D491,753 S	6/2004	deCarolis	
D492,860 S	7/2004	Bertoncini et al.	
D493,982 S	8/2004	deCarolis	
D496,807 S	10/2004	deCarolis	
D497,060 S	10/2004	Chang et al.	
D497,061 S	10/2004	Decarolis	
D505,573 S	5/2005	Malizia	
D506,329 S	6/2005	Sexton	
D507,433 S	7/2005	Portnoy	
D507,900 S	8/2005	Sexton	
D508,172 S	8/2005	Malizia et al.	
D515,337 S	2/2006	deCarolis	
D515,849 S *	2/2006	Niu .....	D6/479
D516,837 S *	3/2006	Niu .....	D6/474
D516,838 S	3/2006	Portnoy	
D516,840 S	3/2006	deCarolis	
D516,847 S	3/2006	Stenhouse et al.	
D517,350 S *	3/2006	Sexton .....	D6/479
D519,757 S	5/2006	Portnoy	
D522,275 S *	6/2006	Becker .....	D6/479
D524,080 S	7/2006	Stenhouse et al.	
D525,052 S	7/2006	Malizia et al.	
D525,054 S	7/2006	Stenhouse et al.	
D527,208 S	8/2006	Malizia et al.	
D527,210 S *	8/2006	Berry et al. ....	D6/480
D535,497 S	1/2007	Portnoy	
D537,656 S	3/2007	Stenhouse et al.	
D542,059 S *	5/2007	Moyle et al. ....	D6/479
D543,729 S *	6/2007	Weatherly .....	D6/474
D549,991 S	9/2007	Stravitz	
D551,468 S *	9/2007	Hoglan et al. ....	D6/479
D554,393 S	11/2007	Yalif	
D555,397 S	11/2007	Yalif	
D559,583 S	1/2008	Zambelli	
D559,584 S	1/2008	Zambelli	
D560,077 S	1/2008	Zambelli	
D562,593 S	2/2008	Zambelli	
D564,260 S	3/2008	deCarolis	
D564,261 S	3/2008	Sculler	
D564,789 S	3/2008	deCarolis	
D564,796 S	3/2008	Zambelli	

\* cited by examiner

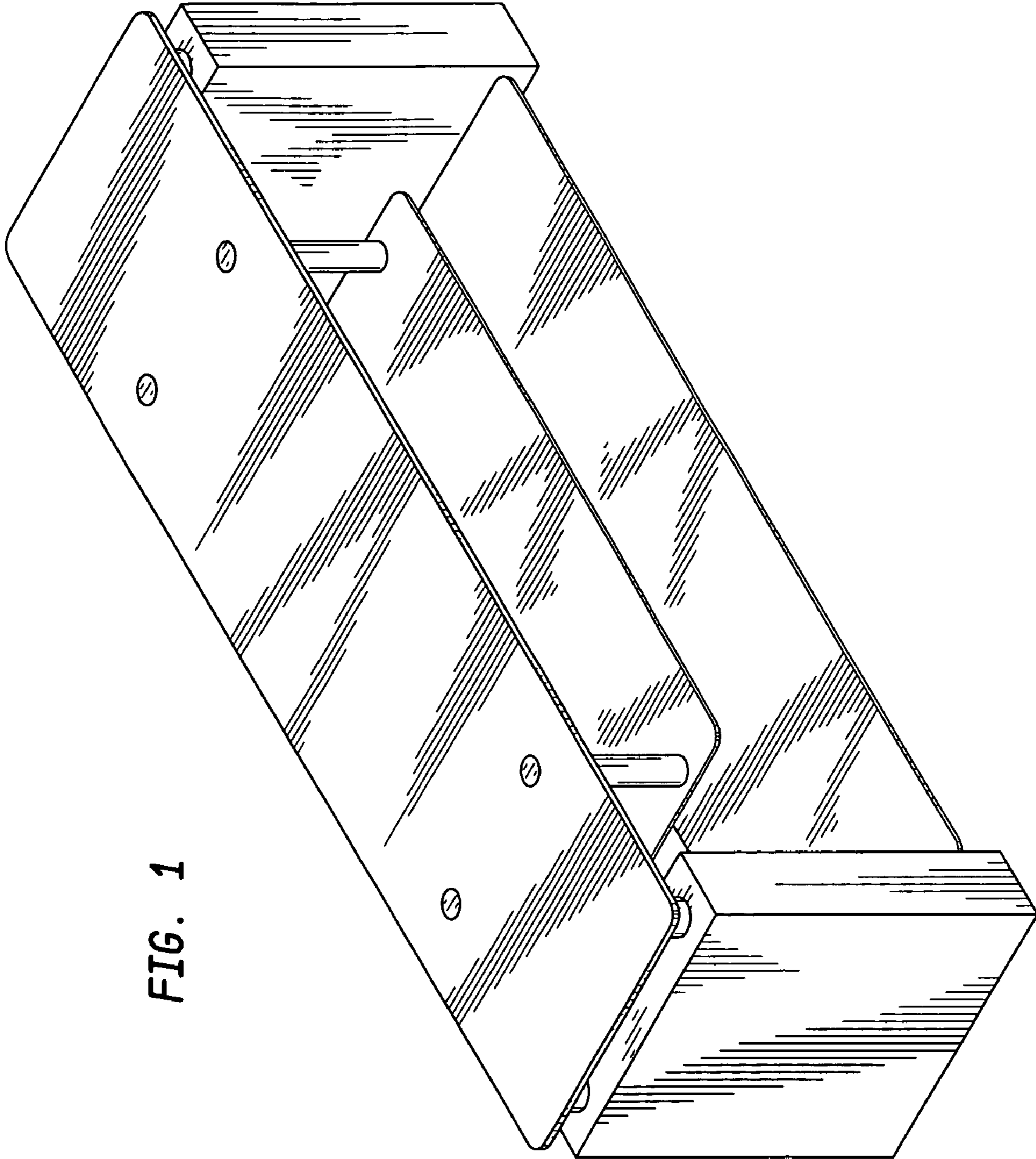


FIG. 1

FIG. 2

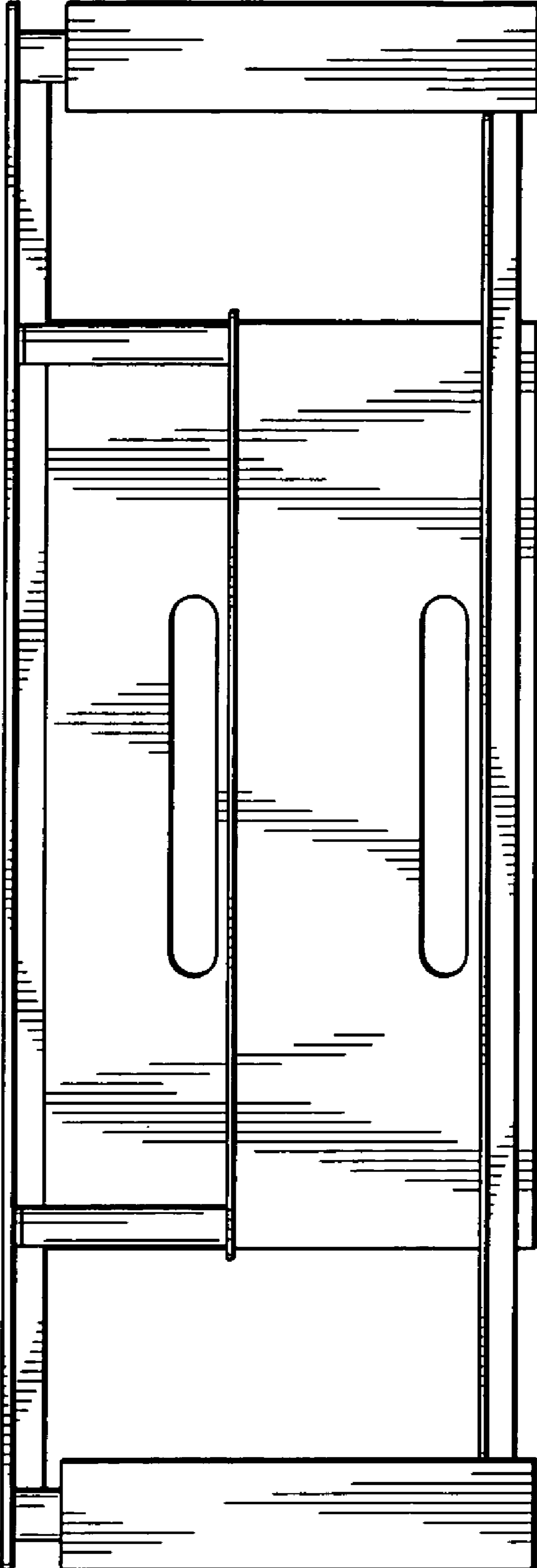


FIG. 3

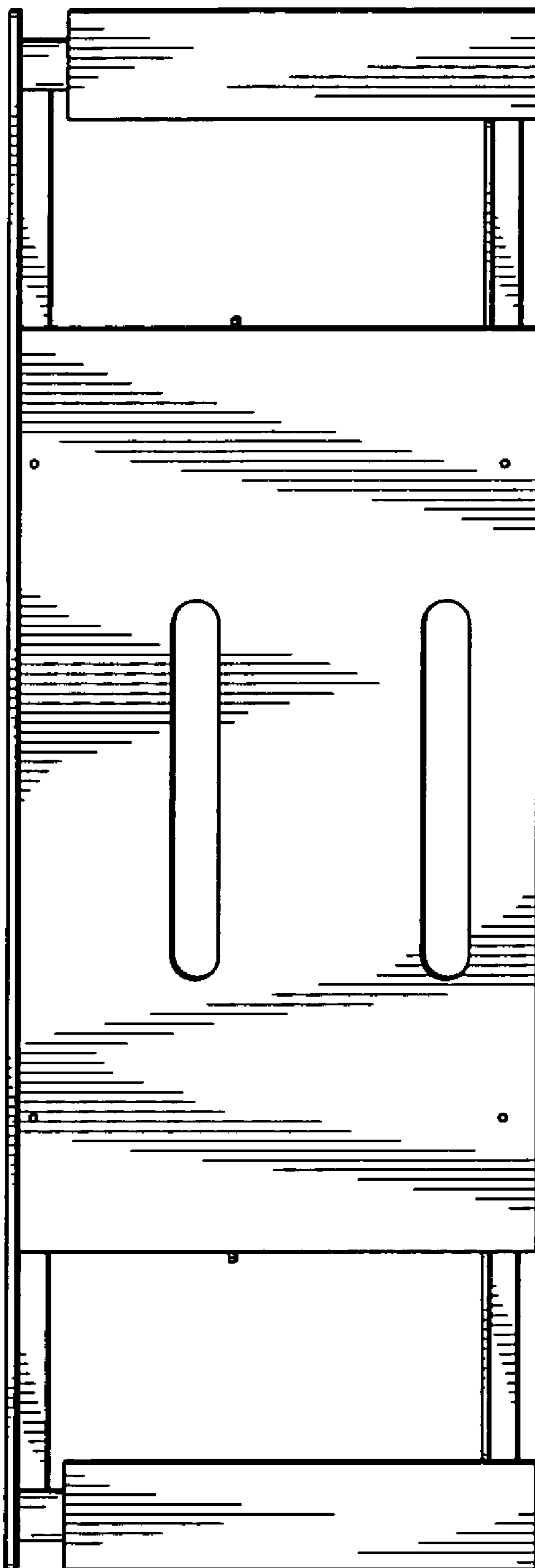
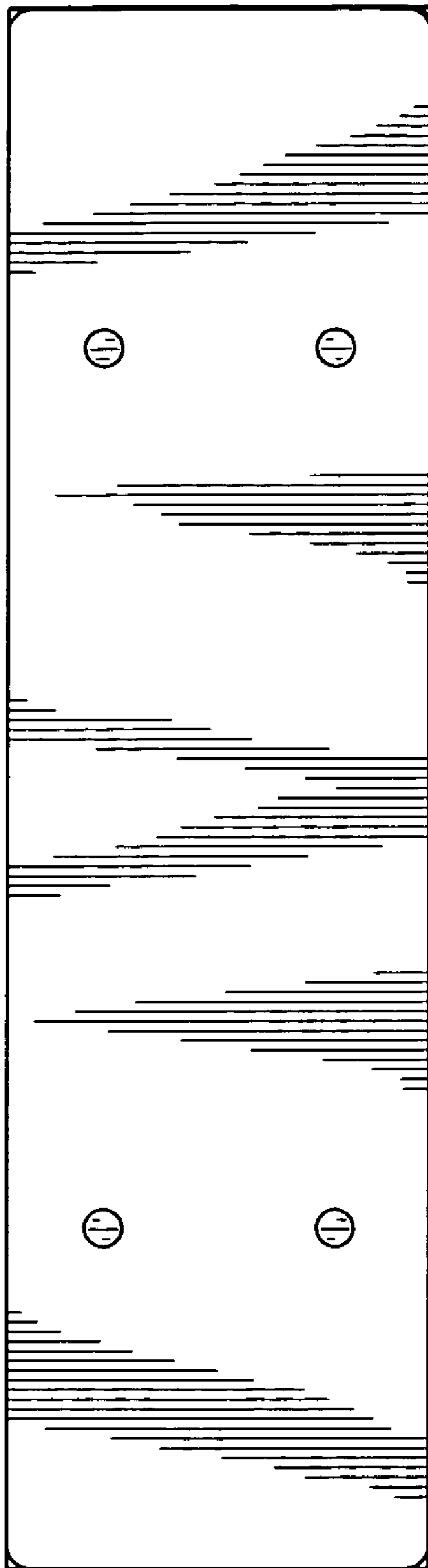
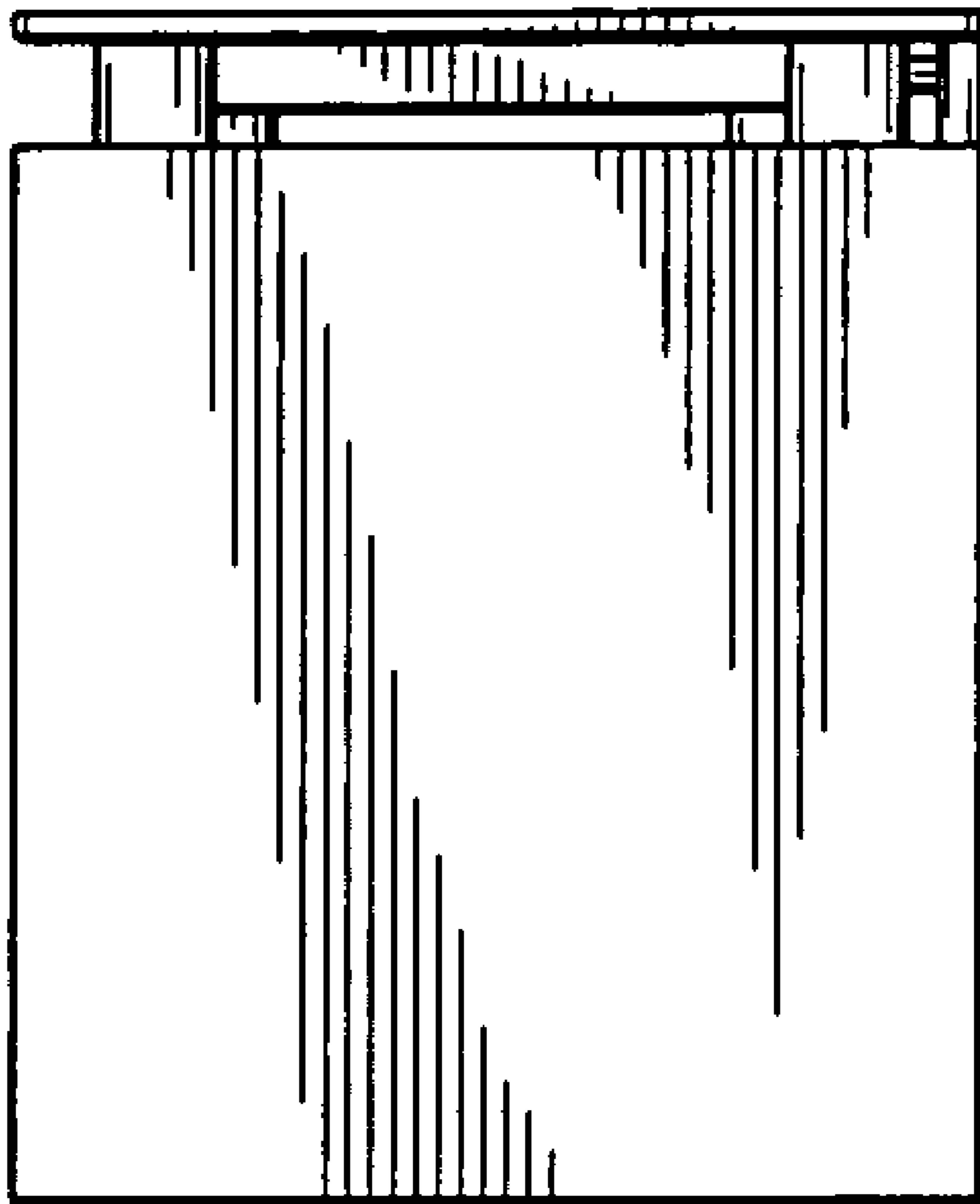


FIG. 4



*FIG. 5*



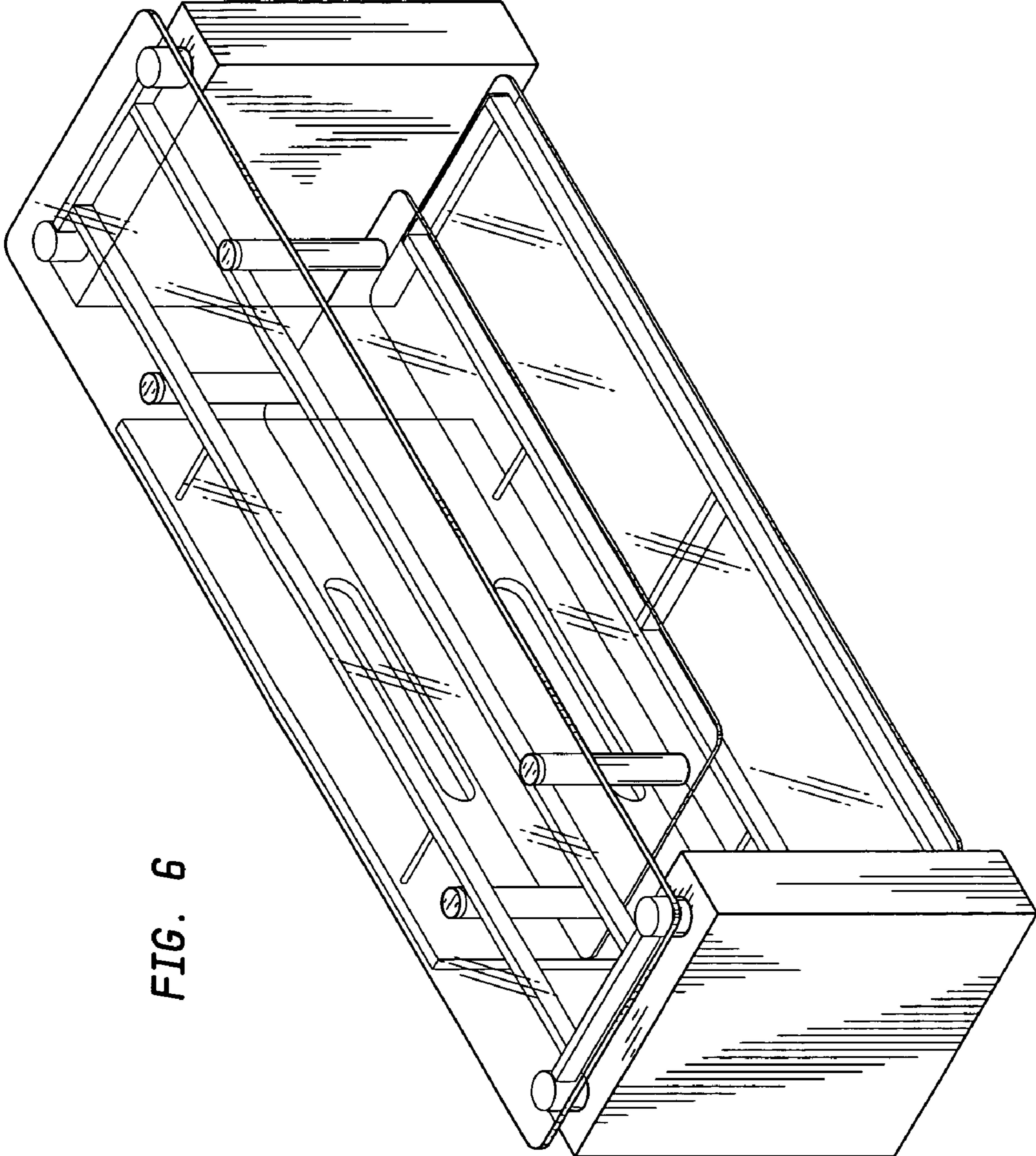


FIG. 6



FIG. 7

